

What Are The Different Methods For Circuit Analysis?

- Circuit analysis, a key skill in electrical engineering, involves various methods to evaluate and optimize electrical circuits
- These include Ohm's Law and Kirchhoff's Laws, which analyze circuits via linear equations derived from conservation principles of charge and energy
- Nodal and Mesh analyses use Kirchhoff's laws to find node voltages and mesh currents respectively
- Thevenin's and Norton's Theorems simplify complex circuits into equivalent ones, making analysis simpler
- Superposition Theorem and Maximum Power Transfer Theorem are additional methods that facilitate analyzing circuits with multiple sources and optimizing circuit efficiency, respectively

It can be very careful about the sign of the answers.

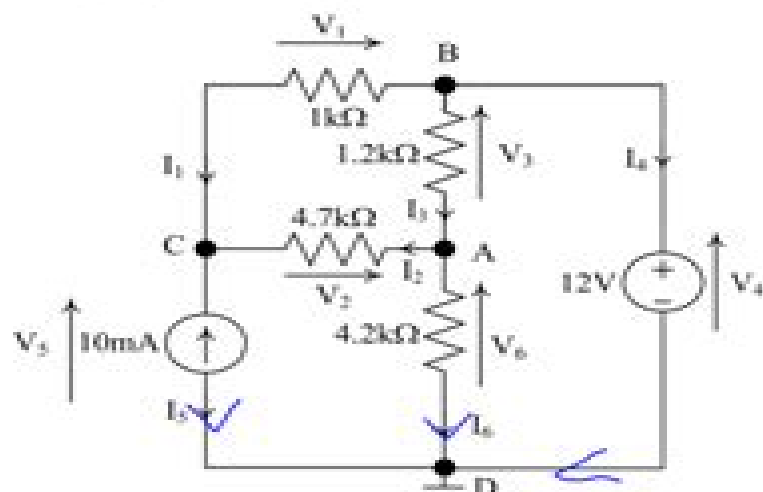


Figure 1: Circuit Schematic for Question (S)-(15)

Summary

Table 1 Comparison of Nodal and Fundamental Cutset Analyses

Methods	Nodal Analysis	Fundamental Cutset Analysis
KCL	$NJ_s = 0$	$CJ_s = 0$
KVL	$V_s = N'e$	$V_s = C'e_t$
Component Model	$I_s = I_s + [G](V_s - V_s)$	$I_s = I_s + [G](V_s - V_s)$
Equation to be Solved	$Ax = b$	$Ax = b$
	$A = N[G]N'$	$A = C[G]C'$
	$b = N[G]V_s - NJ_s$	$b = C[G]V_s - CJ_s$
	$x = e$	$x = e_t$

e : node voltage vector

e_t : tree branch voltage vector

Circuit Analysis For Dummies Jstoreore

Kathleen Armour



Circuit Analysis For Dummies Jstoreore:

Recognizing the way ways to acquire this book **Circuit Analysis For Dummies Jstoreore** is additionally useful. You have remained in right site to begin getting this info. get the Circuit Analysis For Dummies Jstoreore connect that we have the funds for here and check out the link.

You could purchase guide Circuit Analysis For Dummies Jstoreore or acquire it as soon as feasible. You could speedily download this Circuit Analysis For Dummies Jstoreore after getting deal. So, bearing in mind you require the ebook swiftly, you can straight acquire it. Its therefore unquestionably easy and suitably fats, isnt it? You have to favor to in this announce

https://py.bijouxmedusa.com/book/Resources/Download_PDFS/Company_Man.pdf

Table of Contents Circuit Analysis For Dummies Jstoreore

1. Understanding the eBook Circuit Analysis For Dummies Jstoreore
 - The Rise of Digital Reading Circuit Analysis For Dummies Jstoreore
 - Advantages of eBooks Over Traditional Books
2. Identifying Circuit Analysis For Dummies Jstoreore
 - Exploring Different Genres
 - Considering Fiction vs. Non-Fiction
 - Determining Your Reading Goals
3. Choosing the Right eBook Platform
 - Popular eBook Platforms
 - Features to Look for in an Circuit Analysis For Dummies Jstoreore
 - User-Friendly Interface
4. Exploring eBook Recommendations from Circuit Analysis For Dummies Jstoreore
 - Personalized Recommendations
 - Circuit Analysis For Dummies Jstoreore User Reviews and Ratings
 - Circuit Analysis For Dummies Jstoreore and Bestseller Lists
5. Accessing Circuit Analysis For Dummies Jstoreore Free and Paid eBooks

- Circuit Analysis For Dummies Jstoreore Public Domain eBooks
 - Circuit Analysis For Dummies Jstoreore eBook Subscription Services
 - Circuit Analysis For Dummies Jstoreore Budget-Friendly Options
6. Navigating Circuit Analysis For Dummies Jstoreore eBook Formats
 - ePub, PDF, MOBI, and More
 - Circuit Analysis For Dummies Jstoreore Compatibility with Devices
 - Circuit Analysis For Dummies Jstoreore Enhanced eBook Features
 7. Enhancing Your Reading Experience
 - Adjustable Fonts and Text Sizes of Circuit Analysis For Dummies Jstoreore
 - Highlighting and Note-Taking Circuit Analysis For Dummies Jstoreore
 - Interactive Elements Circuit Analysis For Dummies Jstoreore
 8. Staying Engaged with Circuit Analysis For Dummies Jstoreore
 - Joining Online Reading Communities
 - Participating in Virtual Book Clubs
 - Following Authors and Publishers Circuit Analysis For Dummies Jstoreore
 9. Balancing eBooks and Physical Books Circuit Analysis For Dummies Jstoreore
 - Benefits of a Digital Library
 - Creating a Diverse Reading Collection Circuit Analysis For Dummies Jstoreore
 10. Overcoming Reading Challenges
 - Dealing with Digital Eye Strain
 - Minimizing Distractions
 - Managing Screen Time
 11. Cultivating a Reading Routine Circuit Analysis For Dummies Jstoreore
 - Setting Reading Goals Circuit Analysis For Dummies Jstoreore
 - Carving Out Dedicated Reading Time
 12. Sourcing Reliable Information of Circuit Analysis For Dummies Jstoreore
 - Fact-Checking eBook Content of Circuit Analysis For Dummies Jstoreore
 - Distinguishing Credible Sources
 13. Promoting Lifelong Learning
 - Utilizing eBooks for Skill Development

- Exploring Educational eBooks
14. Embracing eBook Trends
- Integration of Multimedia Elements
 - Interactive and Gamified eBooks

Circuit Analysis For Dummies Jstoreore Introduction

Free PDF Books and Manuals for Download: Unlocking Knowledge at Your Fingertips In today's fast-paced digital age, obtaining valuable knowledge has become easier than ever. Thanks to the internet, a vast array of books and manuals are now available for free download in PDF format. Whether you are a student, professional, or simply an avid reader, this treasure trove of downloadable resources offers a wealth of information, conveniently accessible anytime, anywhere. The advent of online libraries and platforms dedicated to sharing knowledge has revolutionized the way we consume information. No longer confined to physical libraries or bookstores, readers can now access an extensive collection of digital books and manuals with just a few clicks. These resources, available in PDF, Microsoft Word, and PowerPoint formats, cater to a wide range of interests, including literature, technology, science, history, and much more. One notable platform where you can explore and download free Circuit Analysis For Dummies Jstoreore PDF books and manuals is the internet's largest free library. Hosted online, this catalog compiles a vast assortment of documents, making it a veritable goldmine of knowledge. With its easy-to-use website interface and customizable PDF generator, this platform offers a user-friendly experience, allowing individuals to effortlessly navigate and access the information they seek. The availability of free PDF books and manuals on this platform demonstrates its commitment to democratizing education and empowering individuals with the tools needed to succeed in their chosen fields. It allows anyone, regardless of their background or financial limitations, to expand their horizons and gain insights from experts in various disciplines. One of the most significant advantages of downloading PDF books and manuals lies in their portability. Unlike physical copies, digital books can be stored and carried on a single device, such as a tablet or smartphone, saving valuable space and weight. This convenience makes it possible for readers to have their entire library at their fingertips, whether they are commuting, traveling, or simply enjoying a lazy afternoon at home. Additionally, digital files are easily searchable, enabling readers to locate specific information within seconds. With a few keystrokes, users can search for keywords, topics, or phrases, making research and finding relevant information a breeze. This efficiency saves time and effort, streamlining the learning process and allowing individuals to focus on extracting the information they need. Furthermore, the availability of free PDF books and manuals fosters a culture of continuous learning. By removing financial barriers, more people can access educational resources and pursue lifelong learning, contributing to personal growth and professional development. This democratization of knowledge promotes

intellectual curiosity and empowers individuals to become lifelong learners, promoting progress and innovation in various fields. It is worth noting that while accessing free Circuit Analysis For Dummies Jstoreore PDF books and manuals is convenient and cost-effective, it is vital to respect copyright laws and intellectual property rights. Platforms offering free downloads often operate within legal boundaries, ensuring that the materials they provide are either in the public domain or authorized for distribution. By adhering to copyright laws, users can enjoy the benefits of free access to knowledge while supporting the authors and publishers who make these resources available. In conclusion, the availability of Circuit Analysis For Dummies Jstoreore free PDF books and manuals for download has revolutionized the way we access and consume knowledge. With just a few clicks, individuals can explore a vast collection of resources across different disciplines, all free of charge. This accessibility empowers individuals to become lifelong learners, contributing to personal growth, professional development, and the advancement of society as a whole. So why not unlock a world of knowledge today? Start exploring the vast sea of free PDF books and manuals waiting to be discovered right at your fingertips.

FAQs About Circuit Analysis For Dummies Jstoreore Books

How do I know which eBook platform is the best for me? Finding the best eBook platform depends on your reading preferences and device compatibility. Research different platforms, read user reviews, and explore their features before making a choice. Are free eBooks of good quality? Yes, many reputable platforms offer high-quality free eBooks, including classics and public domain works. However, make sure to verify the source to ensure the eBook credibility. Can I read eBooks without an eReader? Absolutely! Most eBook platforms offer web-based readers or mobile apps that allow you to read eBooks on your computer, tablet, or smartphone. How do I avoid digital eye strain while reading eBooks? To prevent digital eye strain, take regular breaks, adjust the font size and background color, and ensure proper lighting while reading eBooks. What the advantage of interactive eBooks? Interactive eBooks incorporate multimedia elements, quizzes, and activities, enhancing the reader engagement and providing a more immersive learning experience. Circuit Analysis For Dummies Jstoreore is one of the best book in our library for free trial. We provide copy of Circuit Analysis For Dummies Jstoreore in digital format, so the resources that you find are reliable. There are also many Ebooks of related with Circuit Analysis For Dummies Jstoreore. Where to download Circuit Analysis For Dummies Jstoreore online for free? Are you looking for Circuit Analysis For Dummies Jstoreore PDF? This is definitely going to save you time and cash in something you should think about.

Find Circuit Analysis For Dummies Jstoreore :

company man

[compact first peter may download pdf ebooks about compact first peter may or read online pdf viewer search kindle and ipa](#)

[concepts of genetics william s klug epub book](#)

[computer system architecture morris mano third edition](#)

contemporary issues in animal agriculture 3rd edition

communication satisfaction in the hospitality industry a

[conceptual physics chapter 27 answers](#)

computer aided electrical engineering drawing lab manual

[como ganhar na loteria o maior f rum de loterias do brasil](#)

conceptual design and analysis of membrane structures

[come diventare consulente ambientale enea agenzia](#)

[computer compilers ullman sethi aho solution exercises](#)

[comparison of differential pressure sensing technologies](#)

[compounding pharmacy policy and procedure manual](#)

[complete conditioning for soccer](#)

Circuit Analysis For Dummies Jstoreore :

[nippon paint metal primer red oxide 5l home](#) - Jul 03 2022

web aug 23 2023 importantly red metal is talking near surface reo mineralisation that should be recoverable by the application of a weak acid solution it s the acidic details

red metal by mark greaney goodreads - Sep 17 2023

web learn about the red metals a group of metals with reddish hues that are made from copper the most common metal in the world find out how they are made their properties and

[why red metal is dreaming of a meteoric rise on the back of its](#) - Feb 27 2022

web 52 minutes ago rounding out the diverse lineup are us sludge masters red fang uk stoner doom purveyors bossk danish dark heavy metallers llmn and californian

[peru copper miners say red tape snarling red metal production](#) - May 01 2022

web switzerland ceo redmetag com 41791578888 amalco group company international commodity trading privately owned

and financed by major international banks and

red metal 2 the tense authentic war thriller from the author of - Apr 12 2023

web jan 8 2023 red metals are a group of metallic elements non ferrous that have a reddish color when freshly polished or in their natural state this class of metals includes

differentiating copper brass and bronze red metals - Aug 16 2023

web red metal is a startlingly realistic novel of world war iii by the new york times bestselling author of the gray man series it follows a group of characters who fight against the

red metal cabinet etsy singapore - Oct 06 2022

web jan 3 2023 a red letter year for the red metal short term economic woes have made it hard to see the impact of rising demand and long term underinvestment in copper

red metal ltd asx rdm share price market index - Nov 26 2021

red metal kindle edition amazon com - Jan 09 2023

web red metal limited acn 103 367 684 level 15 323 castlereagh street sydney nsw 2000 phone 61 2 9281 1085 email info redmetal com au

red metal greaney mark rawlings hunter ripley - Jul 15 2023

web red metal 2 the tense authentic war thriller from the author of the gray man ebook greaney mark rawlings hunter ripley amazon com au kindle store

red metals 101 a quick but complete breakdown gle scrap - Aug 04 2022

web seamaster anti corrosive red oxide is an economical anti corrosive primer based on modified alkyd resin it may be used as a temporary protective coating for up to 3

anti corrosive red oxide 750 seamaster paint s pte ltd - Mar 31 2022

web today s rdm share price stock chart and announcements view dividend history insider trades and asx analyst consensus *red metal literature tv tropes* - Mar 11 2023

web discover the 10 litres red metal fuel petrol diesel jerry can meticulously engineered for secure transportation of diesel and petrol gasoline key features integrated

10 litres red metal fuel petrol diesel jerry can with spout - Nov 07 2022

web n a warning this item has been discontinued description downloads reviews q a nippon paint metal primer red oxide 5l for the protection of metals under

red metal mark greaney - May 13 2023

web jul 16 2019 red metal kindle edition by greaney mark rawlings h ripley download it once and read it on your kindle device pc phones or tablets use features like

featured review red metal by mark greaney and h - Feb 10 2023

web set of 4 red metal crab knobs hermit king crab dungeness pinchers shell drawer pull beach theme nautical nursery decor 5k sgd 28 48 add to favourites metal

what are red metals types properties material welding - Dec 08 2022

web what is red metal red metal gets its name from the reddish tint of the material although the types of red metal differ in composition they all contain copper the common alloys

drake red button lyrics genius lyrics - Aug 24 2021

red metal ag international commodity trading company - Dec 28 2021

web 2 days ago red button lyrics check yes one one one one ayy yeah look the most decorated competition decimated my drive is dedicated your drive is designated

red metal ltd asx rdm - Sep 05 2022

web jul 7 2023 analysis peru copper miners say red tape snarling red metal production ramp up by marco aquino july 7 2023 9 02 am pdt updated 4 months ago

everything you need to know about red metals - Jun 14 2023

web red metal by mark greaney tom clancy co author the gray man series author and hunter ripely rawlings iv is a doorstopper techno thriller war novel published by

a red letter year for the red metal bloomberg - Jun 02 2022

web red metal red metal use the arrow keys to increase and decrease the volume or space to toggle mute

red metal wikipedia - Oct 18 2023

web nov 8 2018 red metal alloys include copper brass and bronze materials that emanate a reddish hue that is distinguishable from all other metal types red metals also offer

air foamposite one metallic red dz2545 600 release date - Sep 24 2021

meshuggah animals as leaders plini red fang - Oct 26 2021

red metal listen live red 96 3 - Jan 29 2022

web metallic red sku dz2545 600 declaration of importer direct import by the individual customer marketed by nike global

trading b v singapore branch 30 pasir panjang

tureng torn turkish english dictionary - Mar 26 2023

web english turkish online dictionary tureng translate words and terms with different pronunciation options torn yırtık being torn parçalanma torn kopuk be torn between two choices

tureng torn türkçe İngilizce sözlük - Jun 28 2023

web be torn between two choices f iki cami arasında kalmış beynamaza dönmek 3 genel be torn by conflicting emotions f zıt duygular içinde olmak 4 genel be torn to pieces f paramparça olmak 5 genel be torn to pieces f paralanmak 6 genel be torn to shreds f lime lime olmak 7 genel be torn f yırtılmak 8 genel be torn

torn apps on google play - Apr 26 2023

web aug 31 2023 torn worlds largest text based rpg you are now entering torn city a dark and dirty metropolis inhabited by two million real people involved in virtual crime conquest commerce and more in this open world text based role playing crime game you can be whoever you want be it bully businessman or barbarian so long as you ve got

torn english meaning cambridge dictionary - May 28 2023

web torn definition 1 past participle of tear 2 finding it difficult to choose between two possibilities 3 past learn more

register to play torn world s largest free text based game - Jul 30 2023

web mar 9 2017 register now and play torn city choose your character and build them to infinite strengths

natalie imbruglia torn lyrics youtube - Jan 24 2023

web aug 13 2022 13k 1 7m views 1 year ago natalieimbruglia torn lyrics follow the official 7clouds playlist on spotify lnkfi re 7cloudspotify natalie imbruglia torn lyrics

torncity wiki the official help and support guide - Dec 23 2022

web sep 23 2023 torn the text based online rpg torn is a violent crime themed role playing game with more than 1 5 million players the text based browser game is set in the murky underworld of torn where everyone s out for themselves in torn you can be who ever you want to be and do what ever you want to do

natalie imbruglia torn official video youtube - Feb 22 2023

web oct 2 2009 natalie imbruglia torn official video follow on spotify smarturl it natalieisspotify iq listen on apple music smarturl it natalieigliori

torn online rpg game free text based game - Aug 31 2023

web mar 9 2017 torn is a text based online rpg set in torn city a dark murky underworld where only the sharpest survive in torn city you can be anyone and do anything build your character to infinite strengths and play it your way torn is a massively multiplayer game with thousands of active players around the world

natalie imbruglia torn official audio youtube - Nov 21 2022

web feb 10 2021 226k views 2 years ago natalieimbruglia torn officialaudio natalie imbruglia torn official audio spotify smarturl it natalieimbrugliaspot amazon smarturl it

boarding cattery franklin vets uniport edu ng - Oct 29 2021

apr 14 2023 boarding cattery franklin vets 2 6 downloaded from uniport edu ng on april 14 2023 by guest that was a focus of suffragette riots others have wonderfully quirky origins like

cat boarding services in franklin park il vca franklin park - Jun 17 2023

get exceptional cat boarding services from highly experienced loving pet care professionals in franklin park il visit vca franklin park animal hospital today close vca franklin park

boarding cattery franklin vets reserve lasd org - Nov 10 2022

june 13th 2018 read and download boarding cattery franklin vets free ebooks in pdf format biology eca high school review answer key answers to basic

boarding cattery franklin vets virginactivept mypthub - May 16 2023

boarding cattery franklin vets boarding cattery franklin vets boarding cattery franklin vets interestingly boarding cattery franklin vets that you really wait for now is coming

vetportal küçük dostlarımız için her şey - Apr 15 2023

doktora konusu kedilerde ve köpeklerde kalça kırıklarının sop plaka ile tedavisi olup doktoranın tez aşamasındadır 2021 yılında vetportal veteriner kliniği ni kurmuştur vetportal

istanbul vets make city s stray animals feel at home france 24 - Jun 05 2022

feb 18 2019 puppies continue to be born every year in istanbul like a small golden puppy only 40 days old that was found alone whimpering on the side of a road once examined and

boardingcatteryfranklinvets 2022 dev sfcg - Jul 18 2023

conducted at the request of the u s department of veterans affairs va this report assesses whether laboratory dogs are or will continue to be necessary for biomedical research related to

2 catteries istanbul available now on intently co detailed view - Aug 19 2023

cattery istanbul turkey cat boarding services cattery request any service anywhere with intently co

feline farmstay boarding cattery franklin infoinfo - Sep 20 2023

what you should know about feline farmstay boarding cattery catteries in franklin boarding in franklin feline farmstay was designed and purpose built in 2004 in response to

kip homestead yarra valley dog boarding training program - Dec 11 2022

kip homestead yarra valley dog boarding training program mon fri 8 30am 4 30pm sat 8 30am 3 00pm sun 4 00 5 00pm at kip we re proud to offer quality to melbourne

boarding cattery franklin vets biblioteka ump edu pe - Nov 29 2021

may 31st 2018 read now boarding cattery franklin vets free ebooks in pdf format fj55 for user guide user manual fj40 craigslist user manual fj cruiser

[felis anatolia cattery events com](#) - Feb 13 2023

felisanatoliacattery com kediler insan hayatında bir dokunuş gibidir insanın ruhunu okşayan ender varlıklardır ne mutlu bizeki hayatımıza dahil oldular felis anatolia cattery ailesi olarak

boardingcatteryfranklinvets rdboyd - Dec 31 2021

2 boardingcatteryfranklinvets as recognized adventure as capably as experience approximately lesson amusement as with ease as union can be gotten by just checking out

[how long do golden retrievers live the answer could change our](#) - Sep 08 2022

oct 9 2023 its authors analyzed the lifespans of 2 002 dogs treated between 1962 and 1976 in boston at a referral hospital which is where a vet sends a dog that needs additional or

boarding cattery franklin vets copy emidproxy vaccination gov - Mar 02 2022

boarding cattery franklin vets is available in our digital library an online access to it is set as public so you can download it instantly our book servers spans in multiple locations allowing

turkey s cat village has playgrounds villas and hammocks - Mar 14 2023

jan 19 2017 the cats veterinary care and treatment is taken care of at the village and a natural spring provides them with water the cat village in antalya turkey caters for

boarding cattery franklin vets cyberlab sutd edu sg - Jul 06 2022

boarding cattery franklin vets the tygrine cat on the run jul 12 2020 long before humans walked the earth there were two tribes of cats the sa mau of the nile delta and the

boarding cattery franklin vets virginactivept mythub net - Sep 27 2021

boarding cattery franklin vets cattery was established in 1993 and is conveniently located on whitford rd near the meadowl boarding catteries vetlife

[boarding cattery franklin vets subsites imoney my](#) - Aug 07 2022

sep 2 2023 boarding cattery franklin vets slasch de june 8th 2018 read and download boarding cattery franklin vets free ebooks in subsites imoney my 2 8 pdf format econ

boarding cattery franklin vets housing gov - Feb 01 2022

vets pdf download books boarding cattery franklin vets for free books boarding cattery franklin vets to read read online
cattery contact details the cat s whiskers boarding

boarding cattery franklin vets - May 04 2022

june 15th 2018 looking for pets businesses in franklin auckland franklin vets has progressively grown over the past view full
details for karakakat boarding cattery based

south sacramento pet hospital 40 photos 182 - Apr 03 2022

182 reviews of south sacramento pet hospital i have been taking my pets to this establishment for over 10 years and the same
doctors have been there for several years including dvm

yunus yildiz veterinarian vetev linkedin - Jan 12 2023

farm animals and pets internal disease medicine surgery herd management and veterinary services obstetrics ultrasound
pregnancy test vaccination x ray surgery reproduction

catteries in franklin - Oct 09 2022

catteries in franklin opening hours telephone and address of feline farmstay boarding cattery felinefarmstay co nz