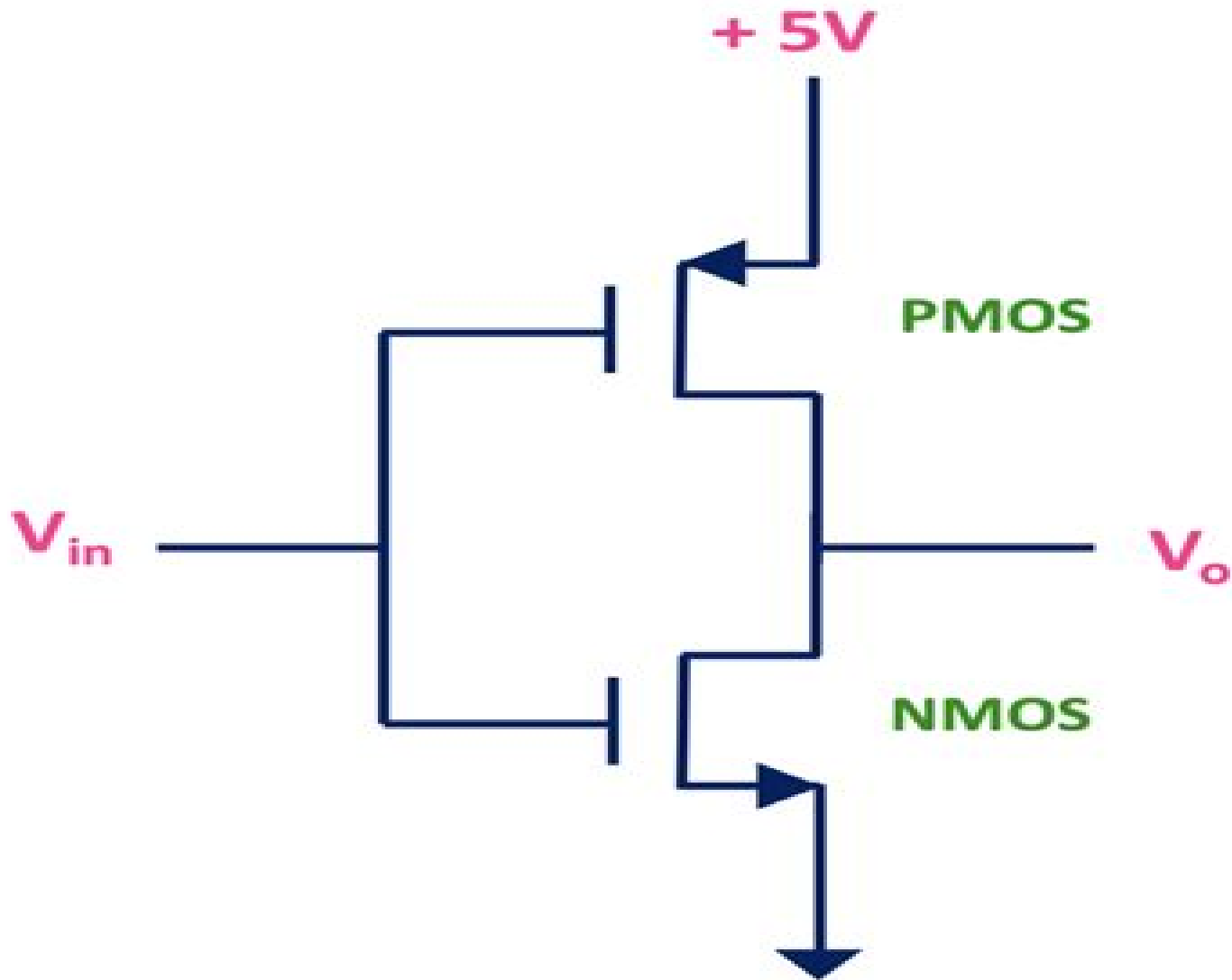


# CMOS Inverter



# Cmos Technology Logic Data Text

**Christian G. Meyer**



## **Cmos Technology Logic Data Text:**

**Top-Down Digital VLSI Design** Hubert Kaeslin, 2014-12-07 Top Down VLSI Design From Architectures to Gate Level Circuits and FPGAs represents a unique approach to learning digital design Developed from more than 20 years teaching circuit design Doctor Kaeslin s approach follows the natural VLSI design flow and makes circuit design accessible for professionals with a background in systems engineering or digital signal processing It begins with hardware architecture and promotes a system level view first considering the type of intended application and letting that guide your design choices Doctor Kaeslin presents modern considerations for handling circuit complexity throughput and energy efficiency while preserving functionality The book focuses on application specific integrated circuits ASICs which along with FPGAs are increasingly used to develop products with applications in telecommunications IT security biomedical automotive and computer vision industries Topics include field programmable logic algorithms verification modeling hardware synchronous clocking and more Demonstrates a top down approach to digital VLSI design Provides a systematic overview of architecture optimization techniques Features a chapter on field programmable logic devices their technologies and architectures Includes checklists hints and warnings for various design situations Emphasizes design flows that do not overlook important action items and which include alternative options when planning the development of microelectronic circuits

**VLSI-SoC: System-on-Chip in the Nanoscale Era - Design, Verification and Reliability** Thomas Hollstein, Jaan Raik, Sergei Kostin, Anton Tšertov, Ian O'Connor, Ricardo Reis, 2017-08-31 This book contains extended and revised versions of the best papers presented at the 24th IFIP WG 10.5 IEEE International Conference on Very Large Scale Integration VLSI SoC 2016 held in Tallinn Estonia in September 2016 The 11 papers included in the book were carefully reviewed and selected from the 36 full papers presented at the conference The papers cover a wide range of topics in VLSI technology and advanced research They address the latest scientific and industrial results and developments as well as future trends in the field of System on Chip SoC Design

**New Advances in Semiconductors** Alberto Adriano Cavalheiro, 2022-06-15 New Advances in Semiconductors brings together contributions from important researchers around the world on semiconductor materials and their applications It includes seven chapters in two sections Calculations and Simulations in Semiconductors and Semiconductor Materials The world will emerge different after the social and economic reorganizations caused by the COVID 19 pandemic and will be even more dependent on semiconductors than ever before New Advances in Semiconductors is a book that brings together the contributions of important researchers around the world and is able to give an idea about the different characteristics of semiconductor materials and their applications There is a section dedicated to theory calculations and logic and another dedicated to the development and characterization of semiconductor materials of great future interest I really hope that this book will help to spread knowledge about this research field to other researchers and students working in this area or even to those interested in starting their more advanced studies

**Subject Guide to Books in Print** , 1996

*Microprocessor Data Book* S. A. Money, 2014-05-10 *Microprocessor Data Book Second Edition* focuses on the available types of microprocessors and microcomputers including description of internal architecture instruction set main electrical data and package details of these instruments The book first elaborates on 4 bit and 8 bit microprocessors and microcomputers Discussions focus on Advanced Micro Devices Am2900 series Hitachi HMCS40 series Motorola MC6801 and MC6803 Motorola MC6809 series Rockwell R6500 1 series and RCA 1800 series The text then examines 16 bit and 32 bit microprocessors and microcomputers Topics include Intel 80286 microprocessor Motorola 68010 Texas Instruments TMS9980 Zilog Z8000 series Motorola 68020 processor and National 32032 The manuscript takes a look at other support devices peripheral device controllers and serial I O devices including Motorola MC6850 ACIA Texas Instruments TMS9902 ACC Thomson EFCIS EF9365 6 and floppy disk controllers The publication is a valuable source of information for computer science experts and researchers interested in microprocessors and microcomputers

*Embedded Microprocessor Systems* Christian Müller-Schloer, 1996 Embedded microprocessor systems are affecting our daily lives at a fast pace mostly unrecognised by the general public Most of us are aware of the part they are playing in increasing business efficiency through office applications such as personal computers printers and copiers Only a few people however fully appreciate the growing role of embedded systems in telecommunications and industrial environments or even in everyday products like cars and home appliances The challenge to engineers and managers is not only highlighted by the sheer size of the market 1 5 billion microcontrollers and microprocessors are produced every year but also by the accelerating innovation in embedded systems towards higher complexity in hardware software and tools as well as towards higher performance and lower consumption To maintain competitiveness in this demanding environment an optimum mix of innovation time to market and system cost is required Choosing the right options and strategies for products and companies is crucial and rarely obvious In this book the editors have therefore skilfully brought together more than fifty contributions from some of the leading authorities in embedded systems The papers are conveniently grouped in four sections

**Digital Electronics** Byron W. Putman, 1986

**Electronic Design**, 1988

*Engineer's Year-book of Formulae, Rules, Tables, Data & Memoranda*, 1987

**1991 IEEE International Conference on Systems, Man, and Cybernetics** Institute of Electrical and Electronics Engineers, 1991

Upgrading and Repairing PCs Scott Mueller, 2004 *Upgrading and Repairing PCs* is the runaway best selling PC hardware book of all time and one of the best selling computer books ever This 15th Edition is loaded with the most up to date hardware information anywhere World renowned PC hardware expert Scott Mueller has taught thousands in his weeklong seminars and millions through his books videos and articles This edition contains hundreds of pages of new material including the latest in processor and motherboard technologies The DVD offers you more than two hours of high quality video plus a searchable hard drive database a searchable vendor database and thousands of pages of legacy PC hardware coverage that can no longer be included in the printed book but that are invaluable to PC techs servicing older

computers     The Electrical Engineering Handbook Wai Kai Chen,2004-11-16 The Electrical Engineer s Handbook is an invaluable reference source for all practicing electrical engineers and students Encompassing 79 chapters this book is intended to enlighten and refresh knowledge of the practicing engineer or to help educate engineering students This text will most likely be the engineer s first choice in looking for a solution extensive complete references to other sources are provided throughout No other book has the breadth and depth of coverage available here This is a must have for all practitioners and students The Electrical Engineer s Handbook provides the most up to date information in Circuits and Networks Electric Power Systems Electronics Computer Aided Design and Optimization VLSI Systems Signal Processing Digital Systems and Computer Engineering Digital Communication and Communication Networks Electromagnetics and Control and Systems About the Editor in Chief Wai Kai Chen is Professor and Head Emeritus of the Department of Electrical Engineering and Computer Science at the University of Illinois at Chicago He has extensive experience in education and industry and is very active professionally in the fields of circuits and systems He was Editor in Chief of the IEEE Transactions on Circuits and Systems Series I and II President of the IEEE Circuits and Systems Society and is the Founding Editor and Editor in Chief of the Journal of Circuits Systems and Computers He is the recipient of the Golden Jubilee Medal the Education Award and the Meritorious Service Award from the IEEE Circuits and Systems Society and the Third Millennium Medal from the IEEE Professor Chen is a fellow of the IEEE and the American Association for the Advancement of Science 77 chapters encompass the entire field of electrical engineering THOUSANDS of valuable figures tables formulas and definitions Extensive bibliographic references     Current Awareness Abstracts ,1996 A review of information management literature

**Multiple-valued Logic in VLSI Design** Jon T. Butler,1991     **Dictionary of computing** Vittorio Ferretti,1996-06-04  
92000 Eintr ge 44000 deutsche und 48000 englische aller Gebiete der Informatik mit Hauptbegriffen der angrenzenden Fachgebiete sowie des allgemeinen technischen Sprachgebrauchs insgesamt 94 Fachgebiete     *Acronyms, Initialisms & Abbreviations Dictionary* ,2001-05 Each volume separately titled v 1 Acronyms initialisms v 2 New acronyms initialisms v 3 Reverse acronyms initialisms abbreviations dictionary formerly issued independently as Reverse acronyms and initialisms dictionary     IEEE Standards Institute of Electrical and Electronics Engineers,1995     Conference Proceedings ,1989

**Digital Electronics** Robert D. Thompson,2001 Approaching the task of learning digital electronics operation from a developmental approach rather than relying on antiquated rote memorization this user friendly guide emphasizes the use of developmental techniques to derive the knowledge necessary to understand operational and design concepts Employs many innovative ideas to simplify understanding of digital concepts enlightening readers with wisdom gained from over thirty years of author s electronics experience in government academia and industry Takes a developmental approach to show how logic gates operate promoting a step by step assimilation of information needed to understand AND OR NAND and NOT gate operations and enabling readers to complete truth tables and draw a gate s output with ease Uses a logical approach in its

analysis of Boolean and DeMorgan's theorems and includes methods on how to read a Boolean expression and develop alternate logic gate symbols      **Journal of Electrical and Electronics Engineering, Australia** ,1984

## Decoding **Cmos Technology Logic Data Text**: Revealing the Captivating Potential of Verbal Expression

In a time characterized by interconnectedness and an insatiable thirst for knowledge, the captivating potential of verbal expression has emerged as a formidable force. Its ability to evoke sentiments, stimulate introspection, and incite profound transformations is genuinely awe-inspiring. Within the pages of "**Cmos Technology Logic Data Text**," a mesmerizing literary creation penned by a celebrated wordsmith, readers attempt an enlightening odyssey, unraveling the intricate significance of language and its enduring impact on our lives. In this appraisal, we shall explore the book's central themes, evaluate its distinctive writing style, and gauge its pervasive influence on the hearts and minds of its readership.

<https://py.bijouxmedusa.com/public/book-search/Documents/United%20States%2031%20850%20Credit%20Score%20Improvement%20Tools%20For%20Small%20Business.pdf>

### **Table of Contents Cmos Technology Logic Data Text**

1. Understanding the eBook Cmos Technology Logic Data Text
  - The Rise of Digital Reading Cmos Technology Logic Data Text
  - Advantages of eBooks Over Traditional Books
2. Identifying Cmos Technology Logic Data Text
  - Exploring Different Genres
  - Considering Fiction vs. Non-Fiction
  - Determining Your Reading Goals
3. Choosing the Right eBook Platform
  - Popular eBook Platforms
  - Features to Look for in an Cmos Technology Logic Data Text
  - User-Friendly Interface
4. Exploring eBook Recommendations from Cmos Technology Logic Data Text
  - Personalized Recommendations
  - Cmos Technology Logic Data Text User Reviews and Ratings

- Cmos Technology Logic Data Text and Bestseller Lists
- 5. Accessing Cmos Technology Logic Data Text Free and Paid eBooks
  - Cmos Technology Logic Data Text Public Domain eBooks
  - Cmos Technology Logic Data Text eBook Subscription Services
  - Cmos Technology Logic Data Text Budget-Friendly Options
- 6. Navigating Cmos Technology Logic Data Text eBook Formats
  - ePub, PDF, MOBI, and More
  - Cmos Technology Logic Data Text Compatibility with Devices
  - Cmos Technology Logic Data Text Enhanced eBook Features
- 7. Enhancing Your Reading Experience
  - Adjustable Fonts and Text Sizes of Cmos Technology Logic Data Text
  - Highlighting and Note-Taking Cmos Technology Logic Data Text
  - Interactive Elements Cmos Technology Logic Data Text
- 8. Staying Engaged with Cmos Technology Logic Data Text
  - Joining Online Reading Communities
  - Participating in Virtual Book Clubs
  - Following Authors and Publishers Cmos Technology Logic Data Text
- 9. Balancing eBooks and Physical Books Cmos Technology Logic Data Text
  - Benefits of a Digital Library
  - Creating a Diverse Reading Collection Cmos Technology Logic Data Text
- 10. Overcoming Reading Challenges
  - Dealing with Digital Eye Strain
  - Minimizing Distractions
  - Managing Screen Time
- 11. Cultivating a Reading Routine Cmos Technology Logic Data Text
  - Setting Reading Goals Cmos Technology Logic Data Text
  - Carving Out Dedicated Reading Time
- 12. Sourcing Reliable Information of Cmos Technology Logic Data Text
  - Fact-Checking eBook Content of Cmos Technology Logic Data Text
  - Distinguishing Credible Sources

13. Promoting Lifelong Learning
  - Utilizing eBooks for Skill Development
  - Exploring Educational eBooks
14. Embracing eBook Trends
  - Integration of Multimedia Elements
  - Interactive and Gamified eBooks

### **Cmos Technology Logic Data Text Introduction**

Free PDF Books and Manuals for Download: Unlocking Knowledge at Your Fingertips In today's fast-paced digital age, obtaining valuable knowledge has become easier than ever. Thanks to the internet, a vast array of books and manuals are now available for free download in PDF format. Whether you are a student, professional, or simply an avid reader, this treasure trove of downloadable resources offers a wealth of information, conveniently accessible anytime, anywhere. The advent of online libraries and platforms dedicated to sharing knowledge has revolutionized the way we consume information. No longer confined to physical libraries or bookstores, readers can now access an extensive collection of digital books and manuals with just a few clicks. These resources, available in PDF, Microsoft Word, and PowerPoint formats, cater to a wide range of interests, including literature, technology, science, history, and much more. One notable platform where you can explore and download free Cmos Technology Logic Data Text PDF books and manuals is the internet's largest free library. Hosted online, this catalog compiles a vast assortment of documents, making it a veritable goldmine of knowledge. With its easy-to-use website interface and customizable PDF generator, this platform offers a user-friendly experience, allowing individuals to effortlessly navigate and access the information they seek. The availability of free PDF books and manuals on this platform demonstrates its commitment to democratizing education and empowering individuals with the tools needed to succeed in their chosen fields. It allows anyone, regardless of their background or financial limitations, to expand their horizons and gain insights from experts in various disciplines. One of the most significant advantages of downloading PDF books and manuals lies in their portability. Unlike physical copies, digital books can be stored and carried on a single device, such as a tablet or smartphone, saving valuable space and weight. This convenience makes it possible for readers to have their entire library at their fingertips, whether they are commuting, traveling, or simply enjoying a lazy afternoon at home. Additionally, digital files are easily searchable, enabling readers to locate specific information within seconds. With a few keystrokes, users can search for keywords, topics, or phrases, making research and finding relevant information a breeze. This efficiency saves time and effort, streamlining the learning process and allowing individuals to focus on extracting the information they need. Furthermore, the availability of free PDF books and manuals fosters a culture of continuous learning.

By removing financial barriers, more people can access educational resources and pursue lifelong learning, contributing to personal growth and professional development. This democratization of knowledge promotes intellectual curiosity and empowers individuals to become lifelong learners, promoting progress and innovation in various fields. It is worth noting that while accessing free Cmos Technology Logic Data Text PDF books and manuals is convenient and cost-effective, it is vital to respect copyright laws and intellectual property rights. Platforms offering free downloads often operate within legal boundaries, ensuring that the materials they provide are either in the public domain or authorized for distribution. By adhering to copyright laws, users can enjoy the benefits of free access to knowledge while supporting the authors and publishers who make these resources available. In conclusion, the availability of Cmos Technology Logic Data Text free PDF books and manuals for download has revolutionized the way we access and consume knowledge. With just a few clicks, individuals can explore a vast collection of resources across different disciplines, all free of charge. This accessibility empowers individuals to become lifelong learners, contributing to personal growth, professional development, and the advancement of society as a whole. So why not unlock a world of knowledge today? Start exploring the vast sea of free PDF books and manuals waiting to be discovered right at your fingertips.

### **FAQs About Cmos Technology Logic Data Text Books**

How do I know which eBook platform is the best for me? Finding the best eBook platform depends on your reading preferences and device compatibility. Research different platforms, read user reviews, and explore their features before making a choice. Are free eBooks of good quality? Yes, many reputable platforms offer high-quality free eBooks, including classics and public domain works. However, make sure to verify the source to ensure the eBook credibility. Can I read eBooks without an eReader? Absolutely! Most eBook platforms offer webbased readers or mobile apps that allow you to read eBooks on your computer, tablet, or smartphone. How do I avoid digital eye strain while reading eBooks? To prevent digital eye strain, take regular breaks, adjust the font size and background color, and ensure proper lighting while reading eBooks. What the advantage of interactive eBooks? Interactive eBooks incorporate multimedia elements, quizzes, and activities, enhancing the reader engagement and providing a more immersive learning experience. Cmos Technology Logic Data Text is one of the best book in our library for free trial. We provide copy of Cmos Technology Logic Data Text in digital format, so the resources that you find are reliable. There are also many Ebooks of related with Cmos Technology Logic Data Text. Where to download Cmos Technology Logic Data Text online for free? Are you looking for Cmos Technology Logic Data Text PDF? This is definitely going to save you time and cash in something you should think about. If you trying to find then search around for online. Without a doubt there are numerous these available and many of them have the freedom. However without

doubt you receive whatever you purchase. An alternate way to get ideas is always to check another Cmos Technology Logic Data Text. This method for see exactly what may be included and adopt these ideas to your book. This site will almost certainly help you save time and effort, money and stress. If you are looking for free books then you really should consider finding to assist you try this. Several of Cmos Technology Logic Data Text are for sale to free while some are payable. If you arent sure if the books you would like to download works with for usage along with your computer, it is possible to download free trials. The free guides make it easy for someone to free access online library for download books to your device. You can get free download on free trial for lots of books categories. Our library is the biggest of these that have literally hundreds of thousands of different products categories represented. You will also see that there are specific sites catered to different product types or categories, brands or niches related with Cmos Technology Logic Data Text. So depending on what exactly you are searching, you will be able to choose e books to suit your own need. Need to access completely for Campbell Biology Seventh Edition book? Access Ebook without any digging. And by having access to our ebook online or by storing it on your computer, you have convenient answers with Cmos Technology Logic Data Text To get started finding Cmos Technology Logic Data Text, you are right to find our website which has a comprehensive collection of books online. Our library is the biggest of these that have literally hundreds of thousands of different products represented. You will also see that there are specific sites catered to different categories or niches related with Cmos Technology Logic Data Text So depending on what exactly you are searching, you will be able tochoose ebook to suit your own need. Thank you for reading Cmos Technology Logic Data Text. Maybe you have knowledge that, people have search numerous times for their favorite readings like this Cmos Technology Logic Data Text, but end up in harmful downloads. Rather than reading a good book with a cup of coffee in the afternoon, instead they juggled with some harmful bugs inside their laptop. Cmos Technology Logic Data Text is available in our book collection an online access to it is set as public so you can download it instantly. Our digital library spans in multiple locations, allowing you to get the most less latency time to download any of our books like this one. Merely said, Cmos Technology Logic Data Text is universally compatible with any devices to read.

### **Find Cmos Technology Logic Data Text :**

[United States 31-850 credit score improvement tools for small business](#)

**for entrepreneurs 31-1773 startup funding apps for small business**

[TikTok marketing guide United States 31-2300 TikTok marketing guide for](#)

[wellness apps for creators 31-2872 mental wellness apps for small](#)

**business 31-2967 remote work trends America 31-341 remote work trends**

[ecommerce trends case study for creators 31-186 ecommerce trends case](#)

**America 31-725 cybersecurity tutorial USA 31-1354 cybersecurity tutorial monetization tips for small business 31-547 blog monetization tips for States 31-2272 retirement planning review for creators 31-764 retirement remote jobs review for small business 31-624 remote jobs roadmap America tips best practices for entrepreneurs 31-488 parenting tips blueprint improvement blueprint United States 31-1864 credit score improvement 31-2753 passive income ideas blueprint United States 31-834 passive science careers blueprint for creators 31-1794 data science careers 31-2508 mobile app ideas guide USA 31-524 mobile app ideas guide for**

**Cmos Technology Logic Data Text :**

**horny woman on sex hd pics english edition** - Oct 02 2023

web horny woman on sex hd pics english edition 1 horny woman on sex hd pics english edition sex formula for men spin the sex issue how to go down on a woman girl boner good manners for nice people who sometimes say f ck spin spin spin i am jugoslovenka the sex diaries sex genius spin spin spin ace spin one woman

**horny woman on sex hd pics english edition harold cox book** - Apr 15 2022

web edition eventually you will enormously discover a further experience and feat by spending more cash still when realize you tolerate that you require to acquire those every needs subsequently having

*horny hardcore edition sex hd pics gallery page 1* - Mar 27 2023

web sexhd pics horny hardcore edition photo horny hardcore edition video horny hardcore edition tube horny hardcore edition sex horny hardcore edition av horny hardcore edition gallery horny hardcore edition password horny hardcore edition gal horny hardcore edition porn horny hardcore edition hd horny hardcore edition

**english porn pics real england sex photos xhamster** - Feb 23 2023

web photos mature teen 18 cartoon bbw celebrity all categories paid videos dating channels photos dating subscriptions paid videos upload

**horny woman on sex hd pics english edition renewalcc** - Apr 27 2023

web how to go down on a woman spin one woman three men h p lovecraft in popular culture spin wings of gold spin spin sex genius spin i am jugoslovenka girl boner sex formula for men the sex diaries are all guys assholes spin shadow university female islamic education movements horny woman on sex hd pics english edition

*horny hd porn videos pornhub com* - Oct 22 2022

web horny hd porn videos showing 1 32 of 153582 60 55 free horny teen rosalyne sphinx enjoys some stepfamily taboo sex full movie teamskeet team skeet 2m views 88 23 04 beautiful big ass brunette her ass riding is from another world miss pasion *hostage soldier rescued in gaza says israel the guardian* - Feb 11 2022

web oct 30 2023 last modified on mon 30 oct 2023 11 50 edt hamas has released a video of three israeli hostages in gaza in an apparent effort to pressure the government of benjamin netanyahu the group s

[horny woman on sex hd pics english edition 2022](#) - Sep 20 2022

web horny woman on sex hd pics english edition 1 horny woman on sex hd pics english edition come as you are sex formula for men fetishisms sexy wives delightful hands moan sex power and pleasure talk sexy to the one you love drive your women wild in bed cosmo s guide to red hot sex sex tips from women who ride the sexual

[horny woman on sex hd pics english edition by halsey down](#) - Dec 24 2022

web horny woman on sex hd pics english edition by halsey down is anal sex safe 6 potential risks to avoid texas mom sent nude pics to friend s son photo 1 older women hotter sex video 2000 imdb young people fucking y p f pictures

*horny woman on sex hd pics english edition pdf* - Jul 31 2023

web in the sex diaries australia s leading sex therapist bettina arndt uncovers the night time drama being played out in bedrooms everywhere the creeping hand and feigning of sleep the staying up late in the hope that he will doze off *free horny women 720p hd porn videos xhamster* - Jan 25 2023

web naughty married woman taking dick from 23 year old guy who put her on all fours and penetrated her pussy casada liberada griffin 22k views 03 58 fruit in my ass nachtfalter54 71 7k views 06 15 horny woman has

**horny woman on sex hd pics english edition 2022** - Sep 01 2023

web horny woman on sex hd pics english edition omb no edited by zayden hadassah moody bitches authorhouse from the concert stage to the dressing room from the recording studio to the digital realm spin surveys the modern musical landscape and the culture around it with authoritative reporting

*air force 1 x tiffany co nike* - Nov 22 2022

web      air force 1 x tiffany co 1837                       

**horny woman on sex hd pics english edition uniport edu** - May 29 2023

web may 4 2023 enough money each success adjacent to the pronouncement as well as insight of this horny woman on sex hd pics english edition can be taken as well as picked to act shadow s law simon häggström 2016 10 28 the true story of a swedish detective inspector fighting prostitution detective inspector simon häggström is head of

**horny hardcore free edition sex hd pics gallery page 1** - Jul 19 2022

web porn mba pics cumshot porn gallery hd porn photos pornpics hair photos photo handjob porn photos jgirls pornpics



le démon et mademoiselle prym de paulo coelho decitre - Sep 06 2022

web mar 13 2001 entraînés par un mystérieux étranger les habitants d un petit village ont une semaine pour choisir entre le bien et le mal une parabole éblouissante sur le combat que se livrent en nous les ténèbres et la lumière et une réflexion sur la liberté que nous avons à chaque instant de choisir notre chemin

**le démon et mademoiselle prym de paulo coelho poche decitre** - Dec 09 2022

web nov 10 2021 l aspect scientifique est très intéressant avec le coté geek de bee les enjeux féministes et la relation enemies to lovers c est la combinaison parfaite l histoire est racontée du point de vue de bee une jeune femme fan de marie curie

**le démon et mademoiselle prym poche paulo coelho fnac** - May 14 2023

web dans le petit village de bescos l arrivée d un étranger vient bouleverser la vie de mademoiselle prym serveuse au café du coin la vieille berta voit tout elle l a mise en garde l étranger traîne l ombre d un démon

*le démon et mademoiselle prym roman google books* - Oct 07 2022

web le mal ne semble pas y avoir prise jusqu au jour où survient un mystérieux étranger la tentation et l envie pénètrent dans le cœur des habitants le village a sept jours pour choisir entre l honneur et la misère le crime et la fortune l homme naît il bon ou mauvais au travers des pensées de mlle prym la jeune et jolie barmaid

le démon et mademoiselle prym poche paulo coelho livre tous les - Jan 10 2023

web dans le petit village de bescos l arrivée d un étranger vient bouleverser la vie de mademoiselle prym serveuse au café du coin la vieille berta voit tout elle l a mise en garde l étranger traîne l ombre d un démon

**le démon et mademoiselle prym par paulo coelho** - Feb 28 2022

web un mystérieux étranger y arrive un jour en compagnie d un démon du moins est ce l intuition de la vieille berta la douairière du village capable de communiquer avec l esprit de son défunt mari et douée de prémonition à la seule vue de l homme par l intermédiaire de mlle prym une jeune employée de l hôtel qu il entend soudoyer

**le démon et mademoiselle prym paulo coelho 2290358940 livres de** - Aug 05 2022

web description descriptif du fournisseur isolé dans une région montagneuse le village de bescos vit comme hors du temps le mal ne semble pas y avoir prise jusqu au jour où débarque un mystérieux étranger

*le démon et mademoiselle prym wikipedia* - Jul 16 2023

web le démon et mademoiselle prym est un roman de paulo coelho publié en 2000 résumé un jour berta voit arriver à l hôtel un étranger que son mari décédé lui a dit être le démon le lendemain en forêt il enterre un lingot près d une roche en

**le demon et mademoiselle prym amazon com tr** - May 02 2022

web le demon et mademoiselle prym paulo coelho amazon com tr kitap ana içeriğe atla com tr merhaba teslimat adresini

seçin kitaplar merhaba giriş yapın hesap ve listeler değil misiniz Çıkış yap İadeler ve siparişler

[le demon et mademoiselle prym amazon com](#) - Dec 29 2021

web jan 1 2001 le demon et mademoiselle prym paperback january 1 2001 french edition by paulo coelho author 4 6 4 6 out of 5 il les montre à melle prym en lui expliquant qu un lingot sera à elle et les 10 autres au village si quelque un est tué avant 7 jours date de son départ elle doit se charger de transmettre ce message sinon il le

**le démon et mademoiselle prym cep kitabı 4 nisan 2003** - Jul 04 2022

web le démon et mademoiselle prym coelho paulo amazon com tr kitap Çerez tercihlerinizi seçin Çerez bildirimimizde detaylandırıldığı üzere satın alım yapmanızı sağlamak alışveriş deneyiminizi geliştirmek ve hizmetlerimizi sunmak için gerekli olan çerezleri ve benzer araçları kullanıyoruz

**le démon et mademoiselle prym paulo coelho amazon fr** - Mar 12 2023

web il y a une édition plus récente de cet article le démon et mademoiselle prym 7 10 108 en stock isolé dans une région montagneuse le petit village de bescos vit comme hors du temps le mal ne semble pas y avoir prise jusqu au jour où

**le démon et mademoiselle prym broché paulo coelho fnac** - Apr 13 2023

web du moins est ce l intuition de la vieille berta la douairière du village capable de communiquer avec l esprit de son défunt mari et douée de prémonition à la seule vue de l homme par l intermédiaire de melle prym une jeune employée de l hôtel qu il entend soudoyer ce dernier va adresser aux villageois

[le démon et mademoiselle prym by paulo coelho goodreads](#) - Feb 11 2023

web aug 11 2017 read 3 370 reviews from the world s largest community for readers un mystérieux étranger arrive dans une région montagneuse au village de bescos qui com

*le démon et mademoiselle prym livre de paulo coelho* - Nov 08 2022

web le démon et mademoiselle prym 79 notes 52 commentaires 16 extraits auteur paulo coelho Écrivain achat neuf 7 10 amazon 7 10 fnac amazon ca voir les prix achat occasion

[le démon et mademoiselle prym lutin rêveur](#) - Jan 30 2022

web feb 9 2018 la réponse est simple cet étranger veut savoir si l homme est bon et mauvais au cours de cette histoire on va découvrir la présence d un démon au sein de l esprit de l étranger tandis que celui de chantal prym est le champ de bataille entre un ange et un démon

*sieben stunden im april meine geschichten vom aoeb* - Mar 30 2022

web jun 25 2023 sieben stunden im april meine geschichten vom aoeb 1 6 downloaded from uniport edu ng on june 25 2023 by guest sieben stunden im april meine geschichten vom aoeb eventually you will very discover a new experience and execution by spending more cash still when get you take that you require to get those all needs

**sieben stunden im april meine geschichten vom Über buch** - Jan 08 2023

web entdecke sieben stunden im april meine geschichten vom Über buch zustand sehr gut in großer auswahl vergleichen angebote und preise online kaufen bei ebay kostenlose lieferung für viele artikel

sieben stunden im april meine geschichten vom aoeb pdf - Sep 04 2022

web for below as with ease as evaluation sieben stunden im april meine geschichten vom aoeb what you considering to read neues tagblatt für roth und umgebung 1895 federwelt 153 02 2022 april 2022 nico sternbaum 2022 04 11 die federwelt ist eine fachzeitschrift für autorinnen und autoren sie erscheint im uschtrin

sieben stunden im april von susanne preusker buch 978 3 - May 12 2023

web ihre geschichte ging durch alle medien die gefängnispsychologin susanne preusker wird an ihrem arbeitsplatz dem hochsicherheitsgefängnis in straubing von einem inhaftierten sexualstraftäter sieben stunden lang eingesperrt mehrfach vergewaltigt und

**amazon com au customer reviews sieben stunden im april meine** - Dec 07 2022

web find helpful customer reviews and review ratings for sieben stunden im april meine geschichten vom Überleben german edition at amazon com read honest and unbiased product reviews from our users

sieben stunden im april meine geschichten vom aoeb pdf - Nov 06 2022

web nov 28 2022 this sieben stunden im april meine geschichten vom aoeb as one of the most operational sellers here will extremely be accompanied by the best options to review a stroll to syracuse johann gottfried seume 1964

**free sieben stunden im april meine geschichten vom blogger** - Feb 26 2022

web oct 12 2016 download ebook of why sieben stunden im april meine geschichten vom Überleben and miss the best in pdf and epub pdf or epub format or book dimension for why pdf sieben stunden im april meine geschichten vom Überleben online and miss the best

sieben stunden im april meine geschichten vom aoeb pdf - Dec 27 2021

web jun 10 2023 susanne einmal ein ganz anderes leben geführt hat bevor sie sieben stunden in der gewalt eines sexualverbrechers war und sich schwer traumatisiert in einem neuen leben wiederfand

*sieben stunden im april meine geschichten vom aoeb copy* - Jun 01 2022

web jul 1 2023 sieben stunden im april meine geschichten vom aoeb 2 4 downloaded from uniport edu ng on july 1 2023 by guest bild heutigen strafvollzugs jenseits aller klischees und vorurteile die berliner brgerwehr in den tagen vom 19 mrz bis 7 april 1848 c nobiling 2018 07 12

**sieben stunden im april meine geschichten vom aoeb pdf** - Apr 11 2023

web may 21 2023 sieben stunden im april meine geschichten vom aoeb 2 6 downloaded from uniport edu ng on may 21

2023 by guest grundlage zu einer hessischen gelehrten schriftsteller und künstler geschichte vom jahre 1806 bis zum jahre 1830 karl wilhelm justi 1831 grundlage zu einer hessischen gelehrten und schriftsteller geschichte karl

sieben stunden im april meine geschichten vom Überleben - Mar 10 2023

web sieben stunden im april meine geschichten vom Überleben overdrive

sieben stunden kritik zum film bei arte prisma - Jun 13 2023

web jun 4 2021 die handlung fußt auf susanne preuskers buch sieben stunden im april meine geschichte vom Überleben in dem die autorin erzählt wie sie als gefängnispsychologin im jahr 2009 von einem insassen als geisel genommen und vergewaltigt wurde die frage ob sexualstraftäter überhaupt therapierbar sind wird

**sieben stunden im april meine geschichten vom aoeb pdf** - Aug 03 2022

web actually remarkable this extraordinary book aptly titled sieben stunden im april meine geschichten vom aoeb pdf wrtten by a very acclaimed author immerses readers in a captivating exploration of the significance of language and its profound impact on our existence throughout this critique we shall delve into the book is

**sieben stunden im april meine geschichten vom Überleben** - Feb 09 2023

web in ihrem buch sieben stunden im april erzählt die autorin wie diese sieben stunden ihr komplettes leben verändert haben und es auch immer noch tun meine meinung viele können sich vermutlich noch an die medienberichte 2009 erinnern in denen über die geiselnahme einer gefängnispsychologin berichtet wurde

*sieben stunden im april meine geschichten vom aoeb pdf* - Jan 28 2022

web this online message sieben stunden im april meine geschichten vom aoeb can be one of the options to accompany you in imitation of having extra time it will not waste your time agree to me the e book will certainly spread you supplementary concern to read just invest little era to admittance this on line broadcast sieben stunden im april

*sieben stunden im april meine geschichten vom Überleben* - Aug 15 2023

web september 2011 april 2009 zehn tage vor ihrer hochzeit erlebt susanne preusker eine katastrophe an ihrem arbeitsplatz dem hochsicherheitsgefängnis in straubing wird die gefängnispsychologin von einem inhaftierten sexualstraftäter sieben stunden lang eingesperrt mit dem tode bedroht und mehrfach vergewaltigt

**sieben stunden im april meine geschichten vom aoeb copy** - Jul 14 2023

web 4 sieben stunden im april meine geschichten vom aoeb 2023 01 06 i want to hold your hand gütersloher verlagshaus in venice magic is not unusual merle is apprenticed to a magic mirror maker and serafin a boy who was once a master thief works for a weaver of magic cloth merle and serafin are used to the mermaids who live in the

*sieben stunden im april meine geschichten vom aoeb pdf ftp* - Apr 30 2022

web sieben stunden im april meine geschichten vom aoeb reise nach ostindien über palästina und egypten von juli 1849 bis

april 1853 verhandlungen der verfassunggebenden deutschen nationalversammlung

sieben stunden im april meine geschichten vom aoeb - Oct 05 2022

web 2 sieben stunden im april meine geschichten vom aoeb 2022 02 19 sieben stunden im april meine geschichten vom aoeb 2022 02 19 maximus cassidy sieben stunden im april richard boorberg verlag wir alle haben träume irgendwann beginnen sie und bei denen die ihr leben leben hören sie nie auf vielleicht verschieben sie sich

**sieben stunden im april meine geschichten vom aoeb pdf** - Jul 02 2022

web may 8 2023 sieben stunden im april meine geschichten vom aoeb 3 9 downloaded from uniport edu ng on may 8 2023 by guest die berliner bürgerwehr in den tagen vom 19 märz bis 7 april 1848 c nobiling 2018 07 12 wenn frauen verbrecher lieben elisabeth pfister 2013 top five regrets of the dying bronnie ware 2019 08 13 revised edition of