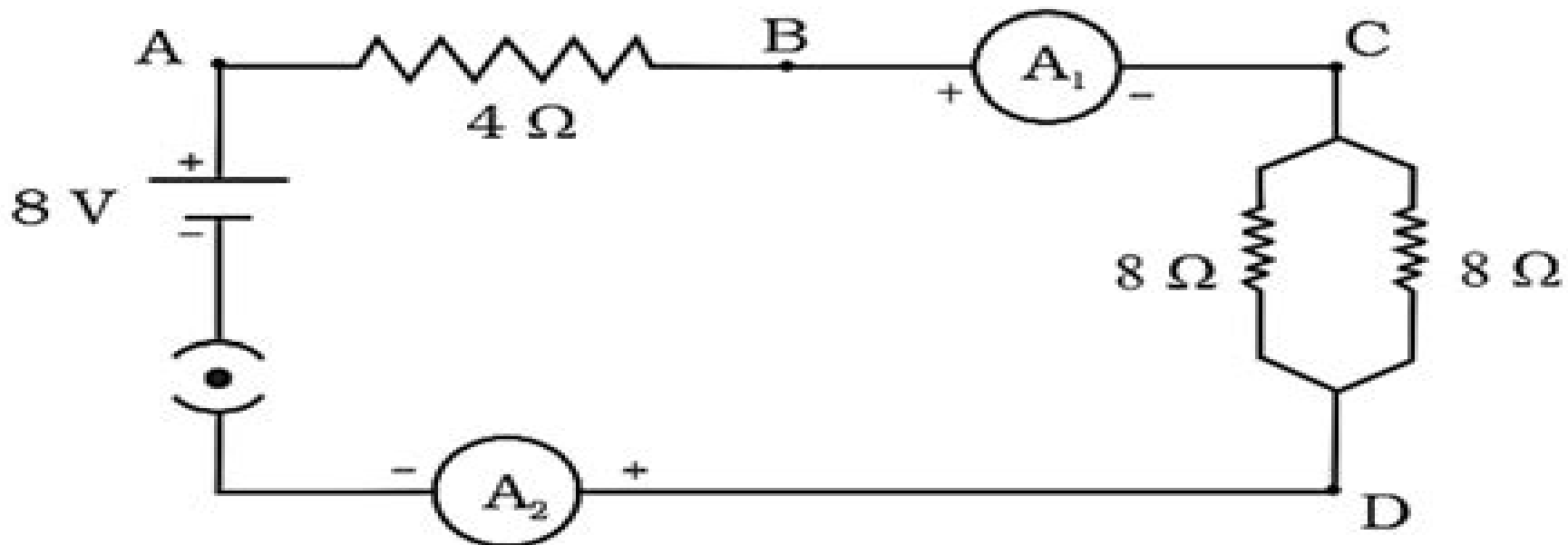


## Extra Question

Find out the following in the electric circuit given in Figure 12.9

- Effective resistance of two  $8\ \Omega$  resistors in the combination
- Current flowing through  $4\ \Omega$  resistor
- Potential difference across  $4\ \Omega$  resistance
- Power dissipated in  $4\ \Omega$  resistor
- Difference in ammeter readings, if any.



# Electrical Circuits Questions And Answers

**Terry C. Jones**



## **Electrical Circuits Questions And Answers:**

[Electrical Circuits Analysis Questions and Answers PDF](#) Arshad Iqbal, [The Electrical Circuits Analysis Quiz Questions and Answers PDF](#) Circuits Analysis Competitive Exam Questions Chapter 1 30 Practice Tests Class 8 12 Electronics Textbook Questions for Beginners includes revision guide for problem solving with hundreds of solved questions [Electrical Circuits Analysis Questions and Answers PDF](#) book covers basic concepts analytical and practical assessment tests [Electrical Circuits Analysis Quiz PDF](#) book helps to practice test questions from exam prep notes [The Electrical Circuits Analysis Quiz Questions and Answers PDF](#) e Book includes revision guide with verbal quantitative and analytical past papers solved tests [Electrical Circuits Analysis Questions and Answers PDF](#) Free download chapter 1 a book covers solved common questions and answers on chapters Applications of Laplace transform ac power ac power analysis amplifier and operational amplifier circuits analysis method applications of Laplace transform basic concepts basic laws capacitors and inductors circuit concepts circuit laws circuit theorems filters and resonance first order circuits Fourier series Fourier transform frequency response higher order circuits and complex frequency introduction to electric circuits introduction to Laplace transform magnetically coupled circuits methods of analysis mutual inductance and transformers operational amplifiers polyphase circuits second order circuits sinusoidal steady state analysis sinusoids and phasors three phase circuits two port networks waveform and signals tests for college and university revision guide [Electronics Interview Questions and Answers PDF](#) Download free eBook s sample covers beginner s solved questions textbook s study notes to practice online tests [The Electrical Circuits Analysis Interview Questions Chapter 1 30 PDF](#) book includes high school question papers to review practice tests for exams [Electrical Circuits Analysis Practice Tests](#) a textbook s revision guide with chapters tests for NEET Jobs Entry Level competitive exam [Electrical Circuits Analysis Questions Bank Chapter 1 30 PDF](#) book covers problem solving exam tests from electronics engineering textbook and practical eBook chapter wise as Chapter 1 AC Power Questions Chapter 2 AC Power Analysis Questions Chapter 3 Amplifier and Operational Amplifier Circuits Questions Chapter 4 Analysis Method Questions Chapter 5 Applications of Laplace Transform Questions Chapter 6 Basic Concepts Questions Chapter 7 Basic laws Questions Chapter 8 Capacitors and Inductors Questions Chapter 9 Circuit Concepts Questions Chapter 10 Circuit Laws Questions Chapter 11 Circuit Theorems Questions Chapter 12 Filters and Resonance Questions Chapter 13 First Order Circuits Questions Chapter 14 Fourier Series Questions Chapter 15 Fourier Transform Questions Chapter 16 Frequency Response Questions Chapter 17 Higher Order Circuits and Complex Frequency Questions Chapter 18 Introduction to Electric Circuits Questions Chapter 19 Introduction to Laplace Transform Questions Chapter 20 Magnetically Coupled Circuits Questions Chapter 21 Methods of Analysis Questions Chapter 22 Mutual Inductance and Transformers Questions Chapter 23 Operational Amplifiers Questions Chapter 24 Polyphase Circuits Questions Chapter 25 Second Order Circuits Questions Chapter 26 Sinusoidal Steady State Analysis Questions Chapter 27 Sinusoids and Phasors Questions Chapter 28 Three Phase

circuits Questions Chapter 29 Two Port Networks Questions Chapter 30 Waveform and Signals Questions The AC Power Quiz Questions PDF e Book Chapter 1 interview questions and answers on Apparent power and power factor applications average or real power complex power complex power apparent power and power triangle effective or RMS value exchange of energy between inductor and capacitor instantaneous and average power maximum power transfer power factor correction power factor improvement power in sinusoidal steady state power in time domain and reactive power The AC Power Analysis Quiz Questions PDF e Book Chapter 2 interview questions and answers on Apparent power and power factor applications complex power effective or RMS value instantaneous and average power and power factor correction The Amplifier and Operational Amplifier Circuits Quiz Questions PDF e Book Chapter 3 interview questions and answers on Amplifiers introduction analog computers comparators differential and difference amplifier integrator and differentiator circuits inverting circuits low pass filters non inverting circuits operational amplifiers summing circuits and voltage follower The Analysis Method Quiz Questions PDF e Book Chapter 4 interview questions and answers on Branch current method maximum power transfer theorem mesh current method Millman s theorem node voltage method Norton s theorem superposition theorem and Thevenin s theorem The Applications of Laplace Transform Quiz Questions PDF e Book Chapter 5 interview questions and answers on Circuit analysis introduction network stability network synthesis and state variables The Basic Concepts Quiz Questions PDF e Book Chapter 6 interview questions and answers on Applications charge and current circuit elements power and energy system of units and voltage The Basic Laws Quiz Questions PDF e Book Chapter 7 interview questions and answers on Applications Kirchhoff s laws nodes branches and loops Ohm s law series resistors and voltage division The Capacitors and Inductors Quiz Questions PDF e Book Chapter 8 interview questions and answers on capacitors differentiator inductors integrator and resistivity The Circuit Concepts Quiz Questions PDF e Book Chapter 9 interview questions and answers on Capacitance inductance non linear resistors passive and active elements resistance sign conventions and voltage current relations The Circuit Laws Quiz Questions PDF e Book Chapter 10 interview questions and answers on Introduction to circuit laws Kirchhoff s current law and Kirchhoff s voltage law The Circuit Theorems Quiz Questions PDF e Book Chapter 11 interview questions and answers on Kirchhoff s law linearity property maximum power transfer Norton s theorem resistance measurement source transformation superposition and thevenin s theorem The Filters and Resonance Quiz Questions PDF e Book Chapter 12 interview questions and answers on Band pass filter and resonance frequency response half power frequencies high pass and low pass networks ideal and practical filters natural frequency and damping ratio passive and active filters The First Order Circuits Quiz Questions PDF e Book Chapter 13 interview questions and answers on Applications capacitor discharge in a resistor establishing a DC voltage across a capacitor introduction singularity functions source free RL circuit source free RC circuit source free RL circuit step and impulse responses in RC circuits step response of an RC circuit step response of an RL circuit transient analysis with PSPICE and transitions at switching time The Fourier

Series Quiz Questions PDF e Book Chapter 14 interview questions and answers on Applications average power and RMS values symmetry considerations and trigonometric Fourier series The Fourier transform Quiz Questions PDF e Book Chapter 15 interview questions and answers on applications The Frequency Response Quiz Questions PDF e Book Chapter 16 interview questions and answers on Active filters applications bode plots decibel scale introduction passive filters scaling series resonance and transfer function The Higher Order Circuits and Complex Frequency Quiz Questions PDF e Book Chapter 17 interview questions and answers on Complex frequency generalized impedance in s domain parallel RLC circuit and series RLC circuit The Introduction to Electric Circuits Quiz Questions PDF e Book Chapter 18 interview questions and answers on Constant and variable function electric charge and current electric potential electric quantities and SI units energy and electrical power force work and power The Introduction to Laplace Transform Quiz Questions PDF e Book Chapter 19 interview questions and answers on Convolution integral The Magnetically Coupled Circuits Quiz Questions PDF e Book Chapter 20 interview questions and answers on Energy in coupled circuit ideal autotransformers ideal transformers linear transformers and mutual inductance The Methods of Analysis Quiz Questions PDF e Book Chapter 21 interview questions and answers on Applications circuit analysis with PSPICE mesh analysis mesh analysis with current sources nodal analysis nodal and mesh analysis by inception The Mutual Inductance and Transformers Quiz Questions PDF e Book Chapter 22 interview questions and answers on Analysis of coupling coil auto transformer conductivity coupled equivalent circuits coupling coefficient dot rule energy in a pair of coupled coils ideal transformer linear transformer and mutual inductance The Operational Amplifiers Quiz Questions PDF e Book Chapter 23 interview questions and answers on Cascaded op amp circuits difference amplifier ideal op amp instrumentation amplifier introduction inverting amplifier noninverting amplifier operational amplifiers and summing amplifier The Polyphaser Circuits Quiz Questions PDF e Book Chapter 24 interview questions and answers on Balanced delta connected load balanced wye connected load equivalent y and delta connections phasor voltages two wattmeter method three phase power three phase systems two phase systems unbalanced delta connected load unbalanced y connected load wye and delta systems The Second Order Circuits Quiz Questions PDF e Book Chapter 25 interview questions and answers on Second order op amp circuits applications duality introduction and source free series RLC circuit The Sinusoidal Steady State Analysis Quiz Questions PDF e Book Chapter 26 interview questions and answers on Element responses impedance and admittance mesh analysis nodal analysis op amp ac circuits oscillators phasors voltage and current division in frequency domain The Sinusoids and Phasors Quiz Questions PDF e Book Chapter 27 interview questions and answers on Applications impedance and admittance impedance combinations introduction phasor relationships for circuit elements phasors and sinusoids The Three Phase Circuits Quiz Questions PDF e Book Chapter 28 interview questions and answers on Applications balanced delta delta connection balanced three phase voltages balanced wye delta connection balanced wye wye connection power in balanced system and un balanced three phase system The Two

Port Networks Quiz Questions PDF e Book Chapter 29 interview questions and answers on Admittance parameters g parameters h parameters hybrid parameters impedance parameters interconnection of networks interconnection of two port networks introduction pi equivalent t parameters terminals and ports transmission parameters two port network y parameters and z parameters The Waveform and Signals Quiz Questions PDF e Book Chapter 30 interview questions and answers on Average and effective RMS values combination of periodic functions exponential function non periodic functions periodic functions random signals sinusoidal functions time shift and phase shift trigonometric identities unit impulse function and unit step function

*Electrical Circuit Analysis MCQ (Multiple Choice Questions)* Arshad Iqbal, The Electrical Circuit Analysis Multiple Choice Questions MCQ Quiz with Answers PDF Electrical Circuit Analysis MCQ PDF Download Quiz Questions Chapter 1 30 Practice Tests with Answer Key Electronics Questions Bank MCQs Notes includes revision guide for problem solving with hundreds of solved MCQs Electrical Circuit Analysis MCQ with Answers PDF book covers basic concepts analytical and practical assessment tests Electrical Circuit Analysis MCQ PDF book helps to practice test questions from exam prep notes The Electrical Circuit Analysis MCQs with Answers PDF eBook includes revision guide with verbal quantitative and analytical past papers solved MCQs Electrical Circuit Analysis Multiple Choice Questions and Answers MCQs PDF Free download chapter 1 a book covers solved quiz questions and answers on chapters Applications of Laplace transform ac power ac power analysis amplifier and operational amplifier circuits analysis method applications of Laplace transform basic concepts basic laws capacitors and inductors circuit concepts circuit laws circuit theorems filters and resonance first order circuits Fourier series Fourier transform frequency response higher order circuits and complex frequency introduction to electric circuits introduction to Laplace transform magnetically coupled circuits methods of analysis mutual inductance and transformers operational amplifiers polyphase circuits second order circuits sinusoidal steady state analysis sinusoids and phasors three phase circuits two port networks waveform and signals tests for college and university revision guide Electrical Circuit Analysis Quiz Questions and Answers PDF free download eBook s sample covers beginner s solved questions textbook s study notes to practice online tests The book Electrical Circuit Analysis MCQs Chapter 1 30 PDF includes high school question papers to review practice tests for exams Electrical Circuit Analysis Multiple Choice Questions MCQ with Answers PDF digital edition eBook a study guide with textbook chapters tests for NEET Jobs Entry Level competitive exam Electrical Circuit Analysis Mock Tests Chapter 1 30 eBook covers problem solving exam tests from electronics engineering textbook and practical eBook chapter wise as Chapter 1 AC Power MCQ Chapter 2 AC Power Analysis MCQ Chapter 3 Amplifier and Operational Amplifier Circuits MCQ Chapter 4 Analysis Method MCQ Chapter 5 Applications of Laplace Transform MCQ Chapter 6 Basic Concepts MCQ Chapter 7 Basic laws MCQ Chapter 8 Capacitors and Inductors MCQ Chapter 9 Circuit Concepts MCQ Chapter 10 Circuit Laws MCQ Chapter 11 Circuit Theorems MCQ Chapter 12 Filters and Resonance MCQ Chapter 13 First Order Circuits MCQ Chapter 14 Fourier Series MCQ Chapter 15 Fourier

Transform MCQ Chapter 16 Frequency Response MCQ Chapter 17 Higher Order Circuits and Complex Frequency MCQ Chapter 18 Introduction to Electric Circuits MCQ Chapter 19 Introduction to Laplace Transform MCQ Chapter 20 Magnetically Coupled Circuits MCQ Chapter 21 Methods of Analysis MCQ Chapter 22 Mutual Inductance and Transformers MCQ Chapter 23 Operational Amplifiers MCQ Chapter 24 Polyphase Circuits MCQ Chapter 25 Second Order Circuits MCQ Chapter 26 Sinusoidal Steady State Analysis MCQ Chapter 27 Sinusoids and Phasors MCQ Chapter 28 Three Phase circuits MCQ Chapter 29 Two Port Networks MCQ Chapter 30 Waveform and Signals MCQ The AC Power MCQ PDF e Book Chapter 1 practice test to solve MCQ questions on Apparent power and power factor applications average or real power complex power complex power apparent power and power triangle effective or RMS value exchange of energy between inductor and capacitor instantaneous and average power maximum power transfer power factor correction power factor improvement power in sinusoidal steady state power in time domain and reactive power The AC Power Analysis MCQ PDF e Book Chapter 2 practice test to solve MCQ questions on Apparent power and power factor applications complex power effective or RMS value instantaneous and average power and power factor correction The Amplifier and Operational Amplifier Circuits MCQ PDF e Book Chapter 3 practice test to solve MCQ questions on Amplifiers introduction analog computers comparators differential and difference amplifier integrator and differentiator circuits inverting circuits low pass filters non inverting circuits operational amplifiers summing circuits and voltage follower The Analysis Method MCQ PDF e Book Chapter 4 practice test to solve MCQ questions on Branch current method maximum power transfer theorem mesh current method Millman s theorem node voltage method Norton s theorem superposition theorem and Thevenin s theorem The Applications of Laplace Transform MCQ PDF e Book Chapter 5 practice test to solve MCQ questions on Circuit analysis introduction network stability network synthesis and state variables The Basic Concepts MCQ PDF e Book Chapter 6 practice test to solve MCQ questions on Applications charge and current circuit elements power and energy system of units and voltage The Basic Laws MCQ PDF e Book Chapter 7 practice test to solve MCQ questions on Applications Kirchhoff s laws nodes branches and loops Ohm s law series resistors and voltage division The Capacitors and Inductors MCQ PDF e Book Chapter 8 practice test to solve MCQ questions on capacitors differentiator inductors integrator and resistivity The Circuit Concepts MCQ PDF e Book Chapter 9 practice test to solve MCQ questions on Capacitance inductance non linear resistors passive and active elements resistance sign conventions and voltage current relations The Circuit Laws MCQ PDF e Book Chapter 10 practice test to solve MCQ questions on Introduction to circuit laws Kirchhoff s current law and Kirchhoff s voltage law The Circuit Theorems MCQ PDF e Book Chapter 11 practice test to solve MCQ questions on Kirchhoff s law linearity property maximum power transfer Norton s theorem resistance measurement source transformation superposition and the venin s theorem The Filters and Resonance MCQ PDF e Book Chapter 12 practice test to solve MCQ questions on Band pass filter and resonance frequency response half power frequencies high pass and low pass networks ideal and practical filters natural frequency and

damping ratio passive and active filters The First Order Circuits MCQ PDF e Book Chapter 13 practice test to solve MCQ questions on Applications capacitor discharge in a resistor establishing a DC voltage across a capacitor introduction singularity functions source free RL circuit source free RC circuit source free RL circuit step and impulse responses in RC circuits step response of an RC circuit step response of an RL circuit transient analysis with PSPICE and transitions at switching time The Fourier Series MCQ PDF e Book Chapter 14 practice test to solve MCQ questions on Applications average power and RMS values symmetry considerations and trigonometric Fourier series The Fourier transform MCQ PDF e Book Chapter 15 practice test to solve MCQ questions on applications The Frequency Response MCQ PDF e Book Chapter 16 practice test to solve MCQ questions on Active filters applications bode plots decibel scale introduction passive filters scaling series resonance and transfer function The Higher Order Circuits and Complex Frequency MCQ PDF e Book Chapter 17 practice test to solve MCQ questions on Complex frequency generalized impedance in s domain parallel RLC circuit and series RLC circuit The Introduction to Electric Circuits MCQ PDF e Book Chapter 18 practice test to solve MCQ questions on Constant and variable function electric charge and current electric potential electric quantities and SI units energy and electrical power force work and power The Introduction to Laplace Transform MCQ PDF e Book Chapter 19 practice test to solve MCQ questions on Convolution integral The Magnetically Coupled Circuits MCQ PDF e Book Chapter 20 practice test to solve MCQ questions on Energy in coupled circuit ideal autotransformers ideal transformers linear transformers and mutual inductance The Methods of Analysis MCQ PDF e Book Chapter 21 practice test to solve MCQ questions on Applications circuit analysis with PSPICE mesh analysis mesh analysis with current sources nodal analysis nodal and mesh analysis by inception The Mutual Inductance and Transformers MCQ PDF e Book Chapter 22 practice test to solve MCQ questions on Analysis of coupling coil auto transformer conductivity coupled equivalent circuits coupling coefficient dot rule energy in a pair of coupled coils ideal transformer linear transformer and mutual inductance The Operational Amplifiers MCQ PDF e Book Chapter 23 practice test to solve MCQ questions on Cascaded op amp circuits difference amplifier ideal op amp instrumentation amplifier introduction inverting amplifier noninverting amplifier operational amplifiers and summing amplifier The Polyphaser Circuits MCQ PDF e Book Chapter 24 practice test to solve MCQ questions on Balanced delta connected load balanced wye connected load equivalent y and delta connections phasor voltages the two wattmeter method three phase power three phase systems two phase systems unbalanced delta connected load unbalanced y connected load wye and delta systems The Second Order Circuits MCQ PDF e Book Chapter 25 practice test to solve MCQ questions on Second order op amp circuits applications duality introduction and source free series RLC circuit The Sinusoidal Steady State Analysis MCQ PDF e Book Chapter 26 practice test to solve MCQ questions on Element responses impedance and admittance mesh analysis nodal analysis op amp ac circuits oscillators phasors voltage and current division in frequency domain The Sinusoids and Phasors MCQ PDF e Book Chapter 27 practice test to solve MCQ questions on Applications impedance and

admittance impedance combinations introduction phasor relationships for circuit elements phasors and sinusoids The Three Phase Circuits MCQ PDF e Book Chapter 28 practice test to solve MCQ questions on Applications balanced delta delta connection balanced three phase voltages balanced wye delta connection balanced wye wye connection power in balanced system and un balanced three phase system The Two Port Networks MCQ PDF e Book Chapter 29 practice test to solve MCQ questions on Admittance parameters g parameters h parameters hybrid parameters impedance parameters interconnection of networks interconnection of two port networks introduction pi equivalent t parameters terminals and ports transmission parameters two port network y parameters and z parameters The Waveform and Signals MCQ PDF e Book Chapter 30 practice test to solve MCQ questions on Average and effective RMS values combination of periodic functions exponential function non periodic functions periodic functions random signals sinusoidal functions time shift and phase shift trigonometric identities unit impulse function and unit step function

Electric Circuit Problems with Solutions F. A. Benson, 1975-04-24 Electrical engineering and electronic engineering students have frequently to resolve and simplify quite complex circuits in order to understand them or to obtain numerical results and a sound knowledge of basic circuit theory is therefore essential The author is very much in favour of tutorials and the solving of problems as a method of education Experience shows that many engineering students encounter difficulties when they first apply their theoretical knowledge to practical problems Over a period of about twenty years the author has collected a large number of problems on electric circuits while giving lectures to students attending the first two post intermediate years of University engineering courses The purpose of this book is to present these problems a total of 365 together with many solutions some problems with answers given at the end of each Chapter are left as student exercises in the hope that they will prove of value to other teachers and students Solutions are separated from the problems so that they will not be seen by accident The answer is given at the end of each problem however for convenience Parts of the book are based on the author's previous work **Electrical Engineering Problems with Solutions** which was published in 1954

**Questions and Answers about Electrical Apparatus** William Brasher Clayton, James Watt Craig, 1909

*2016 / 2017 ASVAB For Dummies with Online Practice* Rod Powers, 2016-06-20 7 online practice tests one year access to six full length ASVAB practice exams and one AFQT exam Cover *2020 / 2021 ASVAB For Dummies with Online Practice* Angie Papple Johnston, 2020-03-19 Ready to ace the ASVAB Dummies can help Year after year ASVAB For Dummies has been the 1 ASVAB test prep book on the market And now it's expanded and improved for 2020 2021 Packed with plenty of practice questions practice tests flashcards and videos 2020 2021 ASVAB For Dummies provides an in depth review of every subtest strategy cheat sheets proven study tips and test taking tactics Go online to find six full length ASVAB practice tests and one AFQT practice test instructional videos and hundreds of flashcards to help you prepare for exam day Earn your highest score and qualify for the military job you want Boost your math science and English performance Review all nine subject areas in advance of test day View free online

videos hosted by the author Quiz yourself with hundreds of flashcards Get the latest information with completely updated Auto Shop and Mechanical Comprehension content If you re a military hopeful looking to set yourself up for the best career possible this ultimate ASVAB prep package is the key to unlocking your full potential *Electric Circuits* David A. Bell,1994  
Electricity and Engineering ,1914 **Electrical Engineering** ,1914 **How to be Brilliant at Electricity, Light and Sound** , *Electrical World* ,1891 The Electrical World ,1895 3,000 Solved Problems in Electrical Circuits Syed A. Nasar,1988-01-22 Schaum s powerful problem solver gives you 3 000 problems in electric circuits fully solved step by step The originator of the solved problem guide and students favorite with over 30 million study guides sold Schaum s offers a diagram packed timesaver to help you master every type of problem you ll face on tests Problems cover every area of electric circuits from basic units to complex multi phase circuits two port networks and the use of Laplace transforms Go directly to the answers and diagrams you need with our detailed cross referenced index Compatible with any classroom text Schaum s 3000 Solved Problems in Electric Circuits is so complete it s the perfect tool for graduate or professional exam prep  
*Computer Simulated Experiments for Electric Circuits Using Electronics Workbench* Richard Henry Berube,2000 This laboratory manual uses Electronics Workbench to simulate actual lab experiments on a computer Berube Community College of Rhode Island designed the experiments to help reinforce the classroom theory in a dc and ac electric circuits course including discussions of nodal voltage circuit analy **Railway Electrical Engineer** ,1930 **Computer Simulated Experiments for Electric Circuits Using Electronics Workbench Multisim** Richard Henry Berube,2004 For courses in Electric Circuits This unique and innovative laboratory manual helps students learn and understand circuit analysis concepts by using Electronic Workbench software to simulate actual laboratory experiments on a computer Students work with circuits drawn on the computer screen and with simulated instruments that act like actual laboratory instruments Circuits can be modified easily with on screen editing and analysis results provide fast accurate feedback Hands on in approach throughout in both interactive experiments and a series of questions about the results of each experiment it is more cost effective safer and more thorough and efficient than using hardwired experiments This lab manual can be sold for use with any DC AC text Note This book no longer comes with a CD Any reference to a CD within the book is out of date and will be updated on our next printing The information from the CD is available online [http://media.pearsoncmg.com/ph\\_chet\\_chet\\_electronics\\_student\\_1](http://media.pearsoncmg.com/ph_chet_chet_electronics_student_1) Click on Older Titles **Electrical Merchandising Week** ,1924 Includes annually 1961 Home goods data book **Industrial Engineering** George Worthington,1923 **Circuit Analysis (for Anna University)** Gnanasivam, **Electricity** ,1895

## **Electrical Circuits Questions And Answers** Book Review: Unveiling the Magic of Language

In an electronic digital era where connections and knowledge reign supreme, the enchanting power of language has become more apparent than ever. Its capability to stir emotions, provoke thought, and instigate transformation is really remarkable. This extraordinary book, aptly titled "**Electrical Circuits Questions And Answers**," written by a highly acclaimed author, immerses readers in a captivating exploration of the significance of language and its profound impact on our existence. Throughout this critique, we shall delve into the book's central themes, evaluate its unique writing style, and assess its overall influence on its readership.

<https://py.bijouxmedusa.com/About/book-search/default.aspx/startups%20%202194%20passive%20income%20ideas%20best%20practices%20united%20states.pdf>

### **Table of Contents Electrical Circuits Questions And Answers**

1. Understanding the eBook Electrical Circuits Questions And Answers
  - The Rise of Digital Reading Electrical Circuits Questions And Answers
  - Advantages of eBooks Over Traditional Books
2. Identifying Electrical Circuits Questions And Answers
  - Exploring Different Genres
  - Considering Fiction vs. Non-Fiction
  - Determining Your Reading Goals
3. Choosing the Right eBook Platform
  - Popular eBook Platforms
  - Features to Look for in an Electrical Circuits Questions And Answers
  - User-Friendly Interface
4. Exploring eBook Recommendations from Electrical Circuits Questions And Answers
  - Personalized Recommendations
  - Electrical Circuits Questions And Answers User Reviews and Ratings

- Electrical Circuits Questions And Answers and Bestseller Lists
- 5. Accessing Electrical Circuits Questions And Answers Free and Paid eBooks
  - Electrical Circuits Questions And Answers Public Domain eBooks
  - Electrical Circuits Questions And Answers eBook Subscription Services
  - Electrical Circuits Questions And Answers Budget-Friendly Options
- 6. Navigating Electrical Circuits Questions And Answers eBook Formats
  - ePub, PDF, MOBI, and More
  - Electrical Circuits Questions And Answers Compatibility with Devices
  - Electrical Circuits Questions And Answers Enhanced eBook Features
- 7. Enhancing Your Reading Experience
  - Adjustable Fonts and Text Sizes of Electrical Circuits Questions And Answers
  - Highlighting and Note-Taking Electrical Circuits Questions And Answers
  - Interactive Elements Electrical Circuits Questions And Answers
- 8. Staying Engaged with Electrical Circuits Questions And Answers
  - Joining Online Reading Communities
  - Participating in Virtual Book Clubs
  - Following Authors and Publishers Electrical Circuits Questions And Answers
- 9. Balancing eBooks and Physical Books Electrical Circuits Questions And Answers
  - Benefits of a Digital Library
  - Creating a Diverse Reading Collection Electrical Circuits Questions And Answers
- 10. Overcoming Reading Challenges
  - Dealing with Digital Eye Strain
  - Minimizing Distractions
  - Managing Screen Time
- 11. Cultivating a Reading Routine Electrical Circuits Questions And Answers
  - Setting Reading Goals Electrical Circuits Questions And Answers
  - Carving Out Dedicated Reading Time
- 12. Sourcing Reliable Information of Electrical Circuits Questions And Answers
  - Fact-Checking eBook Content of Electrical Circuits Questions And Answers
  - Distinguishing Credible Sources

13. Promoting Lifelong Learning
  - Utilizing eBooks for Skill Development
  - Exploring Educational eBooks
14. Embracing eBook Trends
  - Integration of Multimedia Elements
  - Interactive and Gamified eBooks

### **Electrical Circuits Questions And Answers Introduction**

Free PDF Books and Manuals for Download: Unlocking Knowledge at Your Fingertips In today's fast-paced digital age, obtaining valuable knowledge has become easier than ever. Thanks to the internet, a vast array of books and manuals are now available for free download in PDF format. Whether you are a student, professional, or simply an avid reader, this treasure trove of downloadable resources offers a wealth of information, conveniently accessible anytime, anywhere. The advent of online libraries and platforms dedicated to sharing knowledge has revolutionized the way we consume information. No longer confined to physical libraries or bookstores, readers can now access an extensive collection of digital books and manuals with just a few clicks. These resources, available in PDF, Microsoft Word, and PowerPoint formats, cater to a wide range of interests, including literature, technology, science, history, and much more. One notable platform where you can explore and download free Electrical Circuits Questions And Answers PDF books and manuals is the internet's largest free library. Hosted online, this catalog compiles a vast assortment of documents, making it a veritable goldmine of knowledge. With its easy-to-use website interface and customizable PDF generator, this platform offers a user-friendly experience, allowing individuals to effortlessly navigate and access the information they seek. The availability of free PDF books and manuals on this platform demonstrates its commitment to democratizing education and empowering individuals with the tools needed to succeed in their chosen fields. It allows anyone, regardless of their background or financial limitations, to expand their horizons and gain insights from experts in various disciplines. One of the most significant advantages of downloading PDF books and manuals lies in their portability. Unlike physical copies, digital books can be stored and carried on a single device, such as a tablet or smartphone, saving valuable space and weight. This convenience makes it possible for readers to have their entire library at their fingertips, whether they are commuting, traveling, or simply enjoying a lazy afternoon at home. Additionally, digital files are easily searchable, enabling readers to locate specific information within seconds. With a few keystrokes, users can search for keywords, topics, or phrases, making research and finding relevant information a breeze. This efficiency saves time and effort, streamlining the learning process and allowing individuals to focus on extracting the information they need. Furthermore, the availability of free PDF books and manuals fosters a culture

of continuous learning. By removing financial barriers, more people can access educational resources and pursue lifelong learning, contributing to personal growth and professional development. This democratization of knowledge promotes intellectual curiosity and empowers individuals to become lifelong learners, promoting progress and innovation in various fields. It is worth noting that while accessing free Electrical Circuits Questions And Answers PDF books and manuals is convenient and cost-effective, it is vital to respect copyright laws and intellectual property rights. Platforms offering free downloads often operate within legal boundaries, ensuring that the materials they provide are either in the public domain or authorized for distribution. By adhering to copyright laws, users can enjoy the benefits of free access to knowledge while supporting the authors and publishers who make these resources available. In conclusion, the availability of Electrical Circuits Questions And Answers free PDF books and manuals for download has revolutionized the way we access and consume knowledge. With just a few clicks, individuals can explore a vast collection of resources across different disciplines, all free of charge. This accessibility empowers individuals to become lifelong learners, contributing to personal growth, professional development, and the advancement of society as a whole. So why not unlock a world of knowledge today? Start exploring the vast sea of free PDF books and manuals waiting to be discovered right at your fingertips.

### FAQs About Electrical Circuits Questions And Answers Books

1. Where can I buy Electrical Circuits Questions And Answers books? Bookstores: Physical bookstores like Barnes & Noble, Waterstones, and independent local stores. Online Retailers: Amazon, Book Depository, and various online bookstores offer a wide range of books in physical and digital formats.
2. What are the different book formats available? Hardcover: Sturdy and durable, usually more expensive. Paperback: Cheaper, lighter, and more portable than hardcovers. E-books: Digital books available for e-readers like Kindle or software like Apple Books, Kindle, and Google Play Books.
3. How do I choose a Electrical Circuits Questions And Answers book to read? Genres: Consider the genre you enjoy (fiction, non-fiction, mystery, sci-fi, etc.). Recommendations: Ask friends, join book clubs, or explore online reviews and recommendations. Author: If you like a particular author, you might enjoy more of their work.
4. How do I take care of Electrical Circuits Questions And Answers books? Storage: Keep them away from direct sunlight and in a dry environment. Handling: Avoid folding pages, use bookmarks, and handle them with clean hands. Cleaning: Gently dust the covers and pages occasionally.
5. Can I borrow books without buying them? Public Libraries: Local libraries offer a wide range of books for borrowing.

- Book Swaps: Community book exchanges or online platforms where people exchange books.
6. How can I track my reading progress or manage my book collection? Book Tracking Apps: Goodreads, LibraryThing, and Book Catalogue are popular apps for tracking your reading progress and managing book collections. Spreadsheets: You can create your own spreadsheet to track books read, ratings, and other details.
  7. What are Electrical Circuits Questions And Answers audiobooks, and where can I find them? Audiobooks: Audio recordings of books, perfect for listening while commuting or multitasking. Platforms: Audible, LibriVox, and Google Play Books offer a wide selection of audiobooks.
  8. How do I support authors or the book industry? Buy Books: Purchase books from authors or independent bookstores. Reviews: Leave reviews on platforms like Goodreads or Amazon. Promotion: Share your favorite books on social media or recommend them to friends.
  9. Are there book clubs or reading communities I can join? Local Clubs: Check for local book clubs in libraries or community centers. Online Communities: Platforms like Goodreads have virtual book clubs and discussion groups.
  10. Can I read Electrical Circuits Questions And Answers books for free? Public Domain Books: Many classic books are available for free as they're in the public domain. Free E-books: Some websites offer free e-books legally, like Project Gutenberg or Open Library.

### Find Electrical Circuits Questions And Answers :

**startups 20-2194 passive income ideas best practices United States**  
~~marketing tools for entrepreneurs 20-910 TikTok marketing trends for~~  
**development tutorial for startups 20-310 blockchain development tutorial**  
**by step for small business 20-1124 crypto investing strategies for**  
**computing tools for creators 20-2690 cloud computing tools for**  
passive income ideas step by step America 20-2291 passive income ideas  
strategies for creators 20-1384 side hustles strategies for small  
business automation explained for startups 20-644 business automation  
**minimalist lifestyle step by step America 20-2240 minimalist lifestyle**  
20-975 mental wellness strategies USA 20-2211 mental wellness strategies  
20-1831 data science careers checklist America 20-1835 data science  
mobile app ideas step by step for creators 20-1011 mobile app ideas step

*crypto investing review for startups 20-2782 crypto investing roadmap  
States 20-1652 small business ideas explained USA 20-2910 small business  
improvement checklist for creators 20-2342 self improvement comparison*

### **Electrical Circuits Questions And Answers :**

**diagrama tvs29 powerpack banking finance gov ie** - Jul 26 2022

web diagrama tvs29 powerpack 1 diagrama tvs29 powerpack diagrama tvs29 powerpack downloaded from banking finance gov ie by guest rodney maren best

esquema elétrico lg cp 29k30a blogger - Mar 22 2022

web o melhor blog de esquema elétrico da internet esquemas de tv monitor controle remoto baixar dicas download de diagramas e tutoriais

*diagrama tvs29 powerpack pdf book* - Apr 03 2023

web jun 18 2023 this is likewise one of the factors by obtaining the soft documents of this diagrama tvs29 powerpack pdf by online you might not require more period to spend

**diagrama tvs29 powerpack implantes odontocompany com** - Dec 19 2021

web 2 diagrama tvs29 powerpack 2023 05 30 about such people women in the family tree of jesus christ tamar rahab ruth bathsheba mary each was faced with

**hisense led42t29gp lcd tv power supply d sch** - Aug 27 2022

web sziasztok hozták a fenti tévét hogy gond van a hangjával néha sokat órákat kell várni hogy legyen a kép mindig teljesen jó először azt gondoltam kh s kerestem de nem

*diagrama tvs29 powerpack* - Jan 20 2022

web diagrama tvs29 powerpack 1 diagrama tvs29 powerpack jaiib workbook on principles and practices of bankig accounting and finance for bankers legaland regulatory

**diagrama tvs29 powerpack** - Oct 09 2023

web diagrama tvs29 powerpack 1 omb no diagrama tvs29 powerpack 558 how to download circuit diagram schematic service manual repair manual maintenance

lg cp 29k30a service manual repair schematics - Apr 22 2022

web oct 17 2017 lg cp 29k30a service manual repair schematics tv dump

diagrama tvs29 powerpack jda cqa4 e4score com - Oct 29 2022

web diagrama tvs29 powerpack 1 diagrama tvs29 powerpack eventually you will extremely discover a other experience and

feat by spending more cash yet when reach you

**diagrama tvs29 powerpack darellova** - May 24 2022

web may 19 2023 [diagrama tvs29 powerpack diagrama tvs29 powerpack poems about drawing conclusions biostatistics iii survival analysis for epidemiologists air drop](#)

[diagrama tvs29 powerpack repo inventoryclub com](#) - Feb 18 2022

web [diagrama tvs29 powerpack 1 diagrama tvs29 powerpack a lineage of grace jaiib workbook on principles and practices of bankig accounting and finance for bankers](#)

*esquema elétrico tv lg cp 29k30a forumeiros com* - Jun 24 2022

web [baixar downloads eletrônica portal da eletrônica fórum de reparação de aparelhos eletrônicos e de informática televisores de lcd led plasma computadores](#)

*esquema tv lg cp 29k30* - May 04 2023

web [esquema tv lg cp 29k30 iniciado por roberto bento da silva 22 ago 2015 18 43 tópico anterior próximo tópico 0 membros e 1 visitante estão vendo este tópico](#)

**diagrama tvs29 powerpack uniport edu ng** - Mar 02 2023

web [aug 28 2023 diagrama tvs29 powerpack 1 1 downloaded from uniport edu ng on august 28 2023 by guest diagrama tvs29 powerpack getting the books diagrama tvs29](#)

**diagrama tvs29 powerpack wp publish com** - Aug 07 2023

web [diagrama tvs29 powerpack unveiling the energy of verbal artistry an emotional sojourn through diagrama tvs29 powerpack in a world inundated with screens and the](#)

*diagrama tvs29 powerpack wrbb neu edu* - Feb 01 2023

web [merely said the diagrama tvs29 powerpack is universally compatible in the manner of any devices to read diagrama tvs29 powerpack 2020 01 13 solis carey autocad](#)

**diagrama tvs29 powerpack api digital capito eu** - Jul 06 2023

web [2 diagrama tvs29 powerpack 2023 07 17 tattoos on the heart simon and schuster jaiib workbook on principles and practices of bankig accounting and finance for bankers](#)

*diagrama tvs29 powerpack wrbb neu* - Dec 31 2022

web [you may not be perplexed to enjoy all book collections diagrama tvs29 powerpack that we will unconditionally offer it is not approximately the costs its just about what you](#)

[diagrama tvs29 powerpack](#) - Sep 08 2023

web [diagrama tvs29 powerpack 1 diagrama tvs29 powerpack jaiib workbook on principles and practices of bankig accounting](#)

and finance for bankers legaland regulatory

**diagrama tvs29 powerpack** - Nov 29 2022

web 2 diagrama tvs29 powerpack 2019 12 04 security safety disaster planning facility planning project management and engineering management basic principles and the

diagrama tvs29 powerpack dna viz tpq io - Jun 05 2023

web diagrama tvs29 powerpack 1 omb no 1968537908262 diagrama tvs29 powerpack tattoos on the heart a lineage of grace jaiib workbook on principles and practices of

*diagrama tvs29 powerpack test naf* - Sep 27 2022

web jun 4 2023 we settle for diagrama tvs29 powerpack and abundant books selections from fictions to scientific studyh in any way our virtual library hosts in various places

**apexvs english 2 semester 2 answer key copy dev uvexplorer** - Aug 03 2022

web apexvs english 2 semester 2 answer key 1 apexvs english 2 semester 2 answer key apexvs answers english 4 semester 2

apexvs english 2 semester 2 apexvs answers english 3 semester 2 apexvs english 2 semester 2 answer key wakati co apexvs

answers english 2 semester 1 ybjguc malofeev co apexvs spanish 2 semester

**apex english 12 semester 2 answer key pdf answers for 2023** - Nov 06 2022

web 7343 apex english 12 semester 2 answer key pdf most popular 5478 kb s 8390 apex english 12 semester 2 answer key pdf updated 5921 kb s 7470 apex learning english 11 sem 1 answers march 2022

apex english 2 semester 2 answer key answers for 2023 exams - Jun 13 2023

web download apex english 2 semester 2 answer key filename speed downloads apex english 2 semester 2 answer key added by users 1334 kb s 2358 apex english 2 semester 2 answer key most popular 5743 kb s 7861 apex english 2 semester 2

answer key updated 3185 kb s 6181 apex english 2 semester 2 answer key

**apex learning answers reddit** - Jul 14 2023

web r apex learning answers come here for help with apex learning apex ap stats sem 1 hi guys i have all of ap statistics sem 1 answers all of the test quizzes and practice 0 comments share save 1 posted by 3 months ago math 2 apex anyone got math

2 apex 1 1 comment share save 1 posted by 3 months ago need english 10

**apex answers how to get apex learning answers 2023** - Feb 09 2023

web apr 7 2023 you need to put your query in the search engine and get the desired result either you can set the question word to word or make some modifications in your query with the combination of key phrases this way you can get the apex learning algebra 1 semester 2 answers and apex quiz answers also

*accurate apex learning answers and assistance january 2023* - Jan 08 2023

web we have a team of geometry experts who can help you solve apex leaning geometry quiz answers get apex english answers finding ways to secure apex learning answers for english 2 get assistance to manage apex english 11 semester 1 answers and apex english 11 semester 2 answers from creative savants experts

*how to get any answer for apex learning r apexlearningschool reddit* - May 12 2023

web may 20 2020 84 84 comments best add a comment deleted 3 yr ago i have the whole apex answers for every sub grade pm me i could help yall out 1 xxivannxx 3 yr ago do you have algebra 1 semester 2

**apex english 12 semester 2 answer key pdf pdffiller** - Feb 26 2022

web 01 high school students looking to fulfill their english 12 credit requirement 02 students who need to improve their english language skills and reading comprehension 03 individuals interested in exploring various literary works and analyzing them in depth 04

**download apex english 10 semester 2 answers hot** - Jan 28 2022

web answer key for apex learning 12 2020 course f apex english 10 2 2 9 1a monkey king monkey king struggles to find out who he is and after he gets denied because he is a monkey he tries to become human and grows in size and wears shoes he is buried under rock and only by reverting back to monkey form can he escape

**english 11 semester 2 apex high course hero** - Dec 27 2021

web english 11 semester 2 dept info apex high s english 11 semester 2 department has 4 courses in course hero with 53 documents and 7 answered questions

apex 4 english flashcards and study sets quizlet - Sep 04 2022

web learn apex 4 english with free interactive flashcards choose from 5 000 different sets of apex 4 english flashcards on quizlet

apex learning english 1 answer key answers for 2023 exams - Apr 11 2023

web free apex learning answer key english 10 apex answers for english 2 semester 1 learn more apex answer key for english 4 free ebooks in the my mind and uslegalforms com form library 392236 apex english 4 semester 1 answer key apex test 1 review english quiz quizizz play this game to review english

apex english 10 semester 2 exam answers answers for 2023 - Apr 30 2022

web best apex answers 1 site for apex learning answers key it also offers apex college and career preparation 1 answers including apex algebra 2 semester 1 answers our tutors also help students to get professional exam help online the expertly compiled answers provide much needed help to the students

*unlock the secrets apex english 2 semester 1 answers revealed* - Jul 02 2022

web the apex english 2 semester 1 answers cover a wide range of topics including reading comprehension vocabulary

development grammar rules and writing strategies each answer is carefully crafted to provide a clear and concise explanation of the corresponding question or concept

**a2 key sınavı cambridge english** - Mar 30 2022

web bu temel seviyedeki yeterli İngilizce öğrenmeye yeni başlayanlar için güzel bir sınavdır a2 key sınavı basit durumlarda İngilizce iletişim kurabildiğinizi kanıtlayan bir yeterlidir bu sınav her dört İngilizce dil yeteneğini okuma yazma dinleme konuşma test eder bu sınav ile birlikte b1 preliminary ve b2 first

[apexvs english 2 answer key pdf ftp popcake](#) - Jun 01 2022

web apexvs english 2 answer key 1 apexvs english 2 answer key apex algebra 2 semester 1 answer key apex practice answer keys 12 2020 apexvs answer key english 2 semester 1 apexvs answers apexvs english 3 semester 2 answer key booklection com apexvs masterlists apexvs answer key algebra 1 sem 2 exam

**apex english 11 semester 2 answer key answers for 2023 exams** - Mar 10 2023

web 9165 english 4 semester 1 exam fill online printable fillable blank fill apex english 12 semester 2 answer key try risk free get create make and sign apex english 11 semester 1 answer key pdf get form pdfiller com 252031385 answers for apex english 4pdf answers for apex english 4 answers for apex english 4 webtino

**how to cheat on apex learning let s find out assignment** - Dec 07 2022

web learn how to cheat on apex learning without putting yourself at risk learn how to get answers for apex learning and get only top grades

[apexvs answers english 9 semester 2 answers for 2023 exams](#) - Oct 05 2022

web apex english 2 semester 2 answers apexvs quiz answers acpsf orgapex learning answers free xpcourseamazon com english grammar in use book with answers a edgenuity english 2 unit test answers apexvs answers geometry semester 2 exam answers free answers to apex geometry semester 2 apex

**apex answer key zip r apexlearningschool reddit** - Aug 15 2023

web jul 25 2020 did you ever get it 1 haithhhhham08 3 yr ago please can you send me algebra sem 2 practice and journal works please i need them a lot g8 2 wraithstitties 3 yr ago he s good for it 1 magsturebae 3 yr ago can you email me all the answers to english ii texas 2019 1 1kjayy 3 yr ago how i do this 1 deleted 3 yr ago hmu in dm 1

**chants berba res de kabylie 2022 portal dlc ui edu** - Jun 01 2022

web may 4th 2020 la disparition du chanteur kabyle idir ce samedi 2Â mai a ému bien au delÃ des montagnes de kabylie et bien au delÃ même de la méditerranée kabyle

[voici les 10 chansons kabyles les plus visionnées sur](#) - Jul 14 2023

web may 4th 2020 la disparition du chanteur kabyle idir ce samedi 2Â mai a ému bien au delÃ des montagnes de kabylie et

bien au del' même de la méditerranée kabyle

[chants berbères de kabylie by jean amrouche festival rainedance](#) - Jul 02 2022

web about press copyright contact us creators advertise developers terms privacy policy safety how youtube works test new features nfl sunday ticket press copyright

[chants berba res de kabylie old cosmc org](#) - Oct 25 2021

**chants berba res de kabylie 2023** - Aug 15 2023

web chants berba res de kabylie bibliography of the geology of the western phosphate field feb 15 2022 dujardin a été stimulée par une spécificité de la littérature kabyle en

[chants berbères de kabylie by jean amrouche](#) - Dec 27 2021

web 4 chants berba res de kabylie 2021 10 24 avant garde literary experimentation and visual culture gayatri chakravorty spivak provides an afterword this volume makes

**chants berba res de kabylie pdf copy black ortax** - Sep 04 2022

web craignant que la beauté des chants berbères ne disparaisse avec la voix de sa mère jean amrouche a entrepris de consigner tous les chants qui ont bercé son enfance en les

[chants berbères de kabylie by jean amrouche](#) - Aug 03 2022

web 2 chants berba res de kabylie 2021 09 03 mismatch between the world of the colonial school and students home cultures on the other hand it asks what can be learned by

**chants berbères de kabylie by jean amrouche** - Sep 23 2021

[chant traditionnel kabyle urar n l'xalat youtube](#) - Oct 05 2022

web chants berbères de kabylie by jean amrouche chants berbères de kabylie by jean amrouche full text of murs et coutumes de l algrie tell le live marseille aller full

**chants berba res de kabylie download only** - Jan 08 2023

web chants berba res de kabylie the state of algeria mar 11 2023 algeria s current politics are influenced by its colonial period under the french to an extent not seen in other

**chants berbères de kabylie by jean amrouche** - Jun 13 2023

web chants berbères de kabylie chants berbères de kabylie le texte français a été établi d après les originaux berbères tirés de la tradition orale par madame marguerite

[chants berbères de kabylie by jean amrouche](#) - Mar 30 2022

web chants berba res de kabylie 1 13 downloaded from uniport edu ng on august 9 2023 by guest chants berba res de kabylie thank you unconditionally much for downloading

**chants berba res de kabylie pdf uniport edu** - Jan 28 2022

web jun 29 2023 have look hundreds times for their favorite novels like this chants berba res de kabylie but end up in harmful downloads rather than reading a good book with a

*free chants berba res de kabylie cyberlab sutd edu sg* - Dec 07 2022

web may 4th 2020 la disparition du chanteur kabyle idir ce samedi 2Â mai a ému bien au delÃ des montagnes de kabylie et bien au delÃ même de la méditerranée kabyle

chansons kabyle 2020 youtube - Apr 30 2022

web chants berbères de kabylie frantz fanon poems for the millennium volume four chants berbères de kabylie le texte français a été établi d après les originaux berbères tirés

**chants berbères de kabylie by jean amrouche** - Mar 10 2023

web enter the realm of chants berba res de kabylie pdf a mesmerizing literary masterpiece penned with a distinguished author guiding readers on a profound journey to unravel the

**chants berba res de kabylie customizer monos** - Feb 26 2022

web april 30th 2020 legendes et contes de la grande kabylie textes berbères en dialecte de l atlas said boulifra 1908 contes berbères de kabylie recueil de chants kabyles de

**chants berba res de kabylie pdf pdf voto unéal edu** - Feb 09 2023

web chants berba res de kabylie luculenta commentaria in singulas regni neap pragmaticas sanctiones cum declaratione juris communis per eas confirmati in hac

**chants berba res de kabylie pdf media bekonscot co** - Apr 11 2023

web chants berbères de kabylie by jean amrouche chants berbères de kabylie by jean amrouche le live marseille aller dans les plus grandes soires notre chre culture

**chants berba res de kabylie customizer monos com** - May 12 2023

web chants berba res de kabylie 1 chants berba res de kabylie approaches to teaching the works of assia djebar encyclopedia of african literature against the postcolonial

**chants berbères de kabylie by jean amrouche** - Nov 06 2022

web chants berba res de kabylie pdf pages 2 15 chants berba res de kabylie pdf upload mia e paterson 2 15 downloaded from black ortax org on september 7 2023 by

**chants berba res de kabylie uniport edu** - Nov 25 2021

web chants berbères de kabylie by jean amrouche chants berbères de kabylie by jean amrouche vinyle et cd de taos  
amrouche cdandlp idir berb re sans fronti res