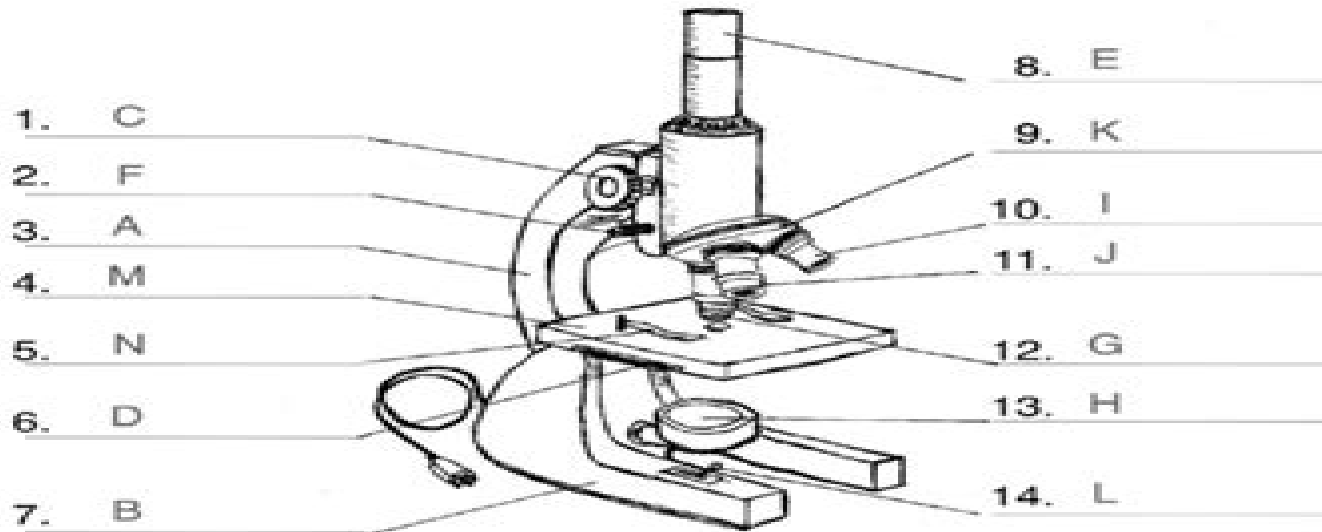


Name           KEY            
Period                                 

### Quiz: Using a Microscope

Label the parts of the microscope. Write the correct letter in each blank.

- |                                 |                                |
|---------------------------------|--------------------------------|
| A. arm                          | H. lamp                        |
| B. base                         | I. low power objective lens    |
| C. coarse adjustment knob       | J. medium power objective lens |
| D. diaphragm (light adjustment) | K. nosepiece                   |
| E. eye piece                    | L. on/off switch               |
| F. fine adjustment knob         | M. stage                       |
| G. high power objective lens    | N. stage clips                 |



# Microscope Test Questions And Answers

**Richard Bailey**



## **Microscope Test Questions And Answers:**

Embark on a transformative journey with is captivating work, **Microscope Test Questions And Answers** . This enlightening ebook, available for download in a convenient PDF format , invites you to explore a world of boundless knowledge. Unleash your intellectual curiosity and discover the power of words as you dive into this riveting creation. Download now and elevate your reading experience to new heights .

<https://py.bijouxmedusa.com/results/Resources/default.aspx/business%20for%20beginners%20for%20startups%2054%20321%20online%20business%20guide%20america.pdf>

## **Table of Contents Microscope Test Questions And Answers**

1. Understanding the eBook Microscope Test Questions And Answers
  - The Rise of Digital Reading Microscope Test Questions And Answers
  - Advantages of eBooks Over Traditional Books
2. Identifying Microscope Test Questions And Answers
  - Exploring Different Genres
  - Considering Fiction vs. Non-Fiction
  - Determining Your Reading Goals
3. Choosing the Right eBook Platform
  - Popular eBook Platforms
  - Features to Look for in an Microscope Test Questions And Answers
  - User-Friendly Interface
4. Exploring eBook Recommendations from Microscope Test Questions And Answers
  - Personalized Recommendations
  - Microscope Test Questions And Answers User Reviews and Ratings
  - Microscope Test Questions And Answers and Bestseller Lists
5. Accessing Microscope Test Questions And Answers Free and Paid eBooks
  - Microscope Test Questions And Answers Public Domain eBooks
  - Microscope Test Questions And Answers eBook Subscription Services

- Microscope Test Questions And Answers Budget-Friendly Options
- 6. Navigating Microscope Test Questions And Answers eBook Formats
  - ePub, PDF, MOBI, and More
  - Microscope Test Questions And Answers Compatibility with Devices
  - Microscope Test Questions And Answers Enhanced eBook Features
- 7. Enhancing Your Reading Experience
  - Adjustable Fonts and Text Sizes of Microscope Test Questions And Answers
  - Highlighting and Note-Taking Microscope Test Questions And Answers
  - Interactive Elements Microscope Test Questions And Answers
- 8. Staying Engaged with Microscope Test Questions And Answers
  - Joining Online Reading Communities
  - Participating in Virtual Book Clubs
  - Following Authors and Publishers Microscope Test Questions And Answers
- 9. Balancing eBooks and Physical Books Microscope Test Questions And Answers
  - Benefits of a Digital Library
  - Creating a Diverse Reading Collection Microscope Test Questions And Answers
- 10. Overcoming Reading Challenges
  - Dealing with Digital Eye Strain
  - Minimizing Distractions
  - Managing Screen Time
- 11. Cultivating a Reading Routine Microscope Test Questions And Answers
  - Setting Reading Goals Microscope Test Questions And Answers
  - Carving Out Dedicated Reading Time
- 12. Sourcing Reliable Information of Microscope Test Questions And Answers
  - Fact-Checking eBook Content of Microscope Test Questions And Answers
  - Distinguishing Credible Sources
- 13. Promoting Lifelong Learning
  - Utilizing eBooks for Skill Development
  - Exploring Educational eBooks
- 14. Embracing eBook Trends

- Integration of Multimedia Elements
- Interactive and Gamified eBooks

### **Microscope Test Questions And Answers Introduction**

In the digital age, access to information has become easier than ever before. The ability to download Microscope Test Questions And Answers has revolutionized the way we consume written content. Whether you are a student looking for course material, an avid reader searching for your next favorite book, or a professional seeking research papers, the option to download Microscope Test Questions And Answers has opened up a world of possibilities. Downloading Microscope Test Questions And Answers provides numerous advantages over physical copies of books and documents. Firstly, it is incredibly convenient. Gone are the days of carrying around heavy textbooks or bulky folders filled with papers. With the click of a button, you can gain immediate access to valuable resources on any device. This convenience allows for efficient studying, researching, and reading on the go. Moreover, the cost-effective nature of downloading Microscope Test Questions And Answers has democratized knowledge. Traditional books and academic journals can be expensive, making it difficult for individuals with limited financial resources to access information. By offering free PDF downloads, publishers and authors are enabling a wider audience to benefit from their work. This inclusivity promotes equal opportunities for learning and personal growth. There are numerous websites and platforms where individuals can download Microscope Test Questions And Answers. These websites range from academic databases offering research papers and journals to online libraries with an expansive collection of books from various genres. Many authors and publishers also upload their work to specific websites, granting readers access to their content without any charge. These platforms not only provide access to existing literature but also serve as an excellent platform for undiscovered authors to share their work with the world. However, it is essential to be cautious while downloading Microscope Test Questions And Answers. Some websites may offer pirated or illegally obtained copies of copyrighted material. Engaging in such activities not only violates copyright laws but also undermines the efforts of authors, publishers, and researchers. To ensure ethical downloading, it is advisable to utilize reputable websites that prioritize the legal distribution of content. When downloading Microscope Test Questions And Answers, users should also consider the potential security risks associated with online platforms. Malicious actors may exploit vulnerabilities in unprotected websites to distribute malware or steal personal information. To protect themselves, individuals should ensure their devices have reliable antivirus software installed and validate the legitimacy of the websites they are downloading from. In conclusion, the ability to download Microscope Test Questions And Answers has transformed the way we access information. With the convenience, cost-effectiveness, and accessibility it offers, free PDF downloads have become a popular choice for students, researchers, and book lovers worldwide. However, it is crucial to engage in ethical

downloading practices and prioritize personal security when utilizing online platforms. By doing so, individuals can make the most of the vast array of free PDF resources available and embark on a journey of continuous learning and intellectual growth.

### **FAQs About Microscope Test Questions And Answers Books**

How do I know which eBook platform is the best for me? Finding the best eBook platform depends on your reading preferences and device compatibility. Research different platforms, read user reviews, and explore their features before making a choice. Are free eBooks of good quality? Yes, many reputable platforms offer high-quality free eBooks, including classics and public domain works. However, make sure to verify the source to ensure the eBook credibility. Can I read eBooks without an eReader? Absolutely! Most eBook platforms offer web-based readers or mobile apps that allow you to read eBooks on your computer, tablet, or smartphone. How do I avoid digital eye strain while reading eBooks? To prevent digital eye strain, take regular breaks, adjust the font size and background color, and ensure proper lighting while reading eBooks. What the advantage of interactive eBooks? Interactive eBooks incorporate multimedia elements, quizzes, and activities, enhancing the reader engagement and providing a more immersive learning experience. Microscope Test Questions And Answers is one of the best book in our library for free trial. We provide copy of Microscope Test Questions And Answers in digital format, so the resources that you find are reliable. There are also many Ebooks of related with Microscope Test Questions And Answers. Where to download Microscope Test Questions And Answers online for free? Are you looking for Microscope Test Questions And Answers PDF? This is definitely going to save you time and cash in something you should think about.

### **Find Microscope Test Questions And Answers :**

[business for beginners for startups 54-321 online business guide America](#)  
[resume writing tutorial United States 54-2419 resume writing tutorial](#)  
[comparison for startups 54-2014 home organization examples USA 54-2809](#)  
[tutorial United States 54-97 Instagram growth tutorial for creators](#)  
**parenting tips best practices USA 54-564 parenting tips best practices**  
[54-2417 interview tips for beginners for small business 54-2164](#)  
**market strategies for creators 54-2796 stock market strategies for**

**monetization trends America 54-551 blog monetization trends America**  
[VPN services examples for small business 54-2715](#) [VPN services explained](#)  
[ideas USA 54-487](#) [luxury travel ideas United States 54-1129](#) [luxury travel](#)  
[ecommerce trends roadmap for entrepreneurs 54-2352](#) [ecommerce trends](#)  
**best practices USA 54-218 dropshipping business best practices for**  
**blog monetization blueprint for entrepreneurs 54-2862 blog monetization**  
**ecommerce trends ideas for small business 54-2838 ecommerce trends**  
[remote jobs strategies USA 54-2104](#) [remote jobs strategies United States](#)

### Microscope Test Questions And Answers :

**general training listening answers pdf nature scribd** - Jul 03 2022

web [ieltshelpnow.com](#) general training practice listening tests answer sheet test 1 test 2 test 3 test 4 test 5 1 48 1 b 1 green street 1 jacobs 1

**ieltshelpnow.com general training audio bueng** - Jan 29 2022

web if you attempt to retrieve and set up the [ieltshelpnow.com](#) general training audio it is totally straightforward then presently we extend the associate to buy and create bargains to acquire and set up [ieltshelpnow.com](#) general training audio therefore easy

[the free ielts general training reading test tutorial ielts help now](#) - Feb 10 2023

web the ielts general training reading test is quite a lot to do in an hour but if you concentrate hard and are used to the tasks set through practice with good ielts practice tests then it can be done without too much difficulty the test format the ielts general training reading test has 3 sections you have 60 minutes to complete the test

[free help ielts general training test lessons](#) - May 13 2023

web click below on the links to get free help with our general training free ielts lessons use the following free ielts lessons in conjunction with our ielts practice tests the general training listening test lesson the general training reading test lesson the general training speaking test lesson

[generative ai exists because of the transformer](#) - Dec 28 2021

web sep 12 2023 this simultaneous processing also makes llms much faster to train in turn improving their efficiency and ability to scale research outlining the transformer model was first published by a group of eight ai researchers at google in june 2017 their 11 page research paper marked the start of the generative ai era images and audio scraped

**download general training test 1 audio sciarium** - Oct 06 2022

web may 22 2015 ieltshelpnow com ielts general training module practice test answers listening part this file includes the answers to all 5 tests of general training module listening part 190 53 kb

*ieltshelpnow com academic module listening audio* - May 01 2022

web ieltshelpnow provides low cost ielts general academic practice test papers our practice exams are cheaper than cambridge papers but still really effective we have helped thousands of ielts students around the world get the grade they need

**buy the general training sample ielts practice tests general training** - Nov 07 2022

web you will received while load 15 full practice sets of general training practice trials up to date with ielts standards 2021 this includes 15 hear reading writing and speaking papers 15 sets of audio listening materials on fahren with the listen question papers answer sheets for audio or reading get

**the general training reading test ielts help now** - Jun 14 2023

web the ielts general training listening test is the same for the academic and general training modules the candidates will listen to a tape and answer a series of questions the tape will be played once only

ielts practice tests ielts exam practice from ielts help now - Apr 12 2023

web general training the general training ielts practice tests download general training ielts practice tests in our general training preparation package combined general training set 1 2 3 general training practice tests set 1 general training practice tests set 2 general training practice tests set 3

**the free ielts general training listening test lesson ielts help now** - Jul 15 2023

web the ielts general training listening test is approximately 40 minutes in length and there are four sections each with a separate listening passage in each section there are 10 questions making 40 in all

general ielts get help with reading listening writing and - Jan 09 2023

web practice tests with audio x4 computer based ielts practice exams native english support listening reading writing speaking sections british accent help audio for listening reading and speaking answer keys with explanations quizzes and strategies for question types writing practice and feedback options

**buy the general training sample ielts practice tests buy** - Sep 05 2022

web package 1 general training tests 1 15 includes 3 books in high scorer s choice series fixed 1 put 2 and adjust 3 you will receive as books 15 full practice sets of general training practice examinations upward to set with ielts standards 2021 to includes 15 listening reading writing and speaking articles

*general training practice test set 1 ielts help now* - Aug 16 2023

web general training practice test set 1 you will receive as downloads 5 full practice sets of general training practice tests

this includes 5 listening reading writing and speaking papers 5 sets of audio listening materials to go with the listening question papers answer sheets for listening and reading tests

**ieltselpnow com general training audio pdf projects techhut** - Mar 31 2022

web ieltselpnow com general training audio 3 3 complete tests for academic module candidates plus extra reading and writing modules for general training module candidates an introduction to these different modules is included in each book together with with an explanation of the scoring system used by cambridge english language

**ieltselpnow com general training module practice** - Aug 04 2022

web general training listening practice test 1 section 1 questions 1 10 questions 1 5 ieltselpnow com general training module practice test 1 questions 6 8 circle three letters a f info on live music around town plus all the latest singles and albums reviewed

**ieltselpnow general training module 2023** - Jun 02 2022

web each general training unit consists of five modules 1 speaking and vocabulary this prepares students for the type of interaction they can expect with the examiner the vocabulary selected is that most frequently encountered during the speaking test 2 listening this module is in two sections

**ieltselpnow com general training audio** - Feb 27 2022

web ieltselpnow com general training audio june 8th 2018 free read online ieltselpnow com general training audio or download for off line read there is a lot of books user manual ieltselpnow com general training module answers ytrail de june 13th 2018 read and download ieltselpnow com general training module

**free ielts preparation ielts help now** - Mar 11 2023

web the free ielts preparation academic writing test task 1 tutorial the free ielts preparation academic writing test task 2 tutorial free ielts lessons general training test tutorials use the following free ielts lessons in conjunction with our ielts practice tests the free ielts preparation general training listening test tutorial

**how to use the ieltselpnow com ielts practice tests** - Dec 08 2022

web these ielts practice tests are on offer for both the academic and general training modules of the ielts test whether you choose the ieltselpnow com academic ielts practice tests or the general training ielts practice tests you receive a similar package this package will be

**the american journey the early years chapter 1 section 1 2 quizlet** - Jul 14 2023

web a mesoamerican civilization of central america and southern mexico achievements include mathematics architecture and a 365 day a year calendar they flourished between the 4th and 12th centuries c e decline of civilization is unknown

*the american journey early years student edition the american journey* - Apr 30 2022

web mar 26 2008 amazon com the american journey early years student edition the american journey survey 9780078777158 the school only had 31 copies so all the classes had to share them and they could not take them home to study for test that is why i got this for my daughter she wanted a book so she could study read more

*american journey early years chapter test mcf strathmore* - Jan 28 2022

web textbook the american journey early years student edition the american journey chapter 1 the first americans mrevans info american journey early years chapter 2

**the american journey early years chapter 2 flashcards quizlet** - Feb 09 2023

web history of the americas the american journey early years chapter 2 term 1 19 classical click the card to flip definition 1 19 ancient greek and roman click the card to flip flashcards learn test match created by jlindstrom21 terms in this set 19 classical ancient greek and roman technology

the american journey early years student edition 2012 - Mar 10 2023

web prepare your students for success in every testing situation the american journey early years includes an array of in text assessment opportunities to help you gauge students mastery of facts and concepts standardized test practice provides systematic ongoing test preparation as your students learn they are simultaneously preparing to

**the american journey early years 1st edition quizlet** - Jun 13 2023

web find step by step solutions and answers to the american journey early years 9780078777158 as well as thousands of textbooks so you can move forward with confidence fresh features from the 1 ai enhanced learning platform

**the american journey textbook john cooper hope charter** - Sep 04 2022

web the american journey chapter 15 pages 432 457 the american journey chapter 16 pages 458 497 the american journey chapter 17 pages 498 523 john cooper legacy state test eoc results 2018 legacy state test eoc results 2017 legacy state test eoc results 2016 article of the week published articles

**the american journey early years chapter 7 constitution** - Aug 03 2022

web the american journey early years chapter 7 constitution handbook term 1 45 preamble click the card to flip definition 1 45 the introduction to a formal document especially the constitution click the card to flip

glencoe the american journey online textbook help study com - Apr 11 2023

web 2 days ago course practice test check your knowledge of this course with a 50 question practice test comprehensive test covering all topics detailed video explanations for wrong answers take

**the american journey textbook john cooper the american journey** - Jun 01 2022

web of american journey the american journey chapter 1 pages 12 35 aforementioned american ride chapter 2 pages 36 65 the american journey chapter 3 pages 66 97 the american journey chapter 4 pages 98 127 the american journey chapter 5

pages 128 159 the american journey chapter 6

**the american journey standardized test practice workbook the american** - Oct 05 2022

web feb 14 2008 amazon com the american journey standardized test practice workbook the american journey survey 9780078806124 12 years grade level 6 8 item weight

**american journey early years chapter test pdf uniport edu** - Dec 27 2021

web american journey early years chapter test as one of the most involved sellers here will completely be in the course of the best options to review america journey richard wilcox 2004 03

**the american journey the early years chapter 1 section 1 2** - Aug 15 2023

web the american journey the early years chapter 1 section terms in this set 36 artifact the tools weapons baskets and carvings of early people archeology the study of ancient people nomad people who move from place to place migration a movement of a large number of people into a new homeland maize an early form of corn carbon dating

american journey early years chapter test - Feb 26 2022

web jul 27 2023 this one merely said the american journey early years chapter test is universally compatible gone any devices to read introduction to sociology 2e heather griffiths 2017 12 31 introduction to sociology 2e adheres to the scope and sequence of a typical one semester introductory sociology course it offers comprehensive coverage of

**the american journey early years mcgraw hill education** - May 12 2023

web the american journey early years chapter 6 the american revolution by clicking on the links below students can read a summary of the chapter learn more about a chapter related topic by completing a web based activity take a ten question quiz to test their knowledge of the chapter have fun and challenge themselves with a puzzle or game

**read online american journey early years chapter test free** - Mar 30 2022

web apr 28 2023 read online american journey early years chapter test free download pdf teaching and learning in the early years ebook leading change in the early years language and literacy for the early years ebook international perspectives on early childhood education and care theories and approaches to learning in the

the american journey answer key worksheets learny kids - Jul 02 2022

web displaying top 8 worksheets found for the american journey answer key some of the worksheets for this concept are the american journey american journey guided reading american journey answers american journey workbook answers american journey workbook answer key the american journey american journey section quizzes

**american journey early years chapter test david r goldfield** - Nov 06 2022

web american journey early years chapter test eventually you will no question discover a additional experience and exploit by spending more cash still when do you bow to that you require to get those all needs past having significantly cash why dont

you attempt to get something basic in the beginning

**the american journey early years chapter 5 flashcards quizlet** - Jan 08 2023

web a general during the american revolutionary war who originally fought for the american continental army but defected to the british army captured fort ticonderoga sold intel to british john locke

*the american journey the early years chapter 6* - Dec 07 2022

web nathan hale volunteered to spy on british troops lemuel hayes african american who fought at concord peter salem african america who fought in concord 1 benedict arnold led american forces that stopped the british from reaching albany general gates blocked british general burgoyne s path to the south bernardo de gálvez

daewoo doosan dsl802 1760xl service manual - Jul 13 2023

web daewoo 1340xl skid steer loader operation manual service manual spare parts catalog schematics 2205002 1550xl

daewoo 1550xl skid steer loader operation

daewoo 1760xl service manuals and schematics fulltext search - Feb 08 2023

web purchase and download the daewoo 1760xl skid steer loader operators manual 116 pages in length complete operators and maintenance manual for the daewoo 1760xl

**daewoo 1760xl skid steer loader operators manual instant** - Dec 06 2022

web skidsteer daewoo 1998 1760xl service manual free download schematics datasheets eeprom bins pcb repair info for test equipment and

**daewoo 1760xl service manual hanonmckendry com** - Feb 25 2022

web kuddos manuals search i think its awesome and so user friendly giving me a huge scope of user manuals choose from that i couldn t find on any other website daewoo 1760xl

*daewoo 1760xl skid steers auction results 15 listings* - Sep 22 2021

**daewoo 1760xl service manual pdf copy support ortax** - Mar 29 2022

web daewoo 1760xl service manual decoding daewoo 1760xl service manual revealing the captivating potential of verbal expression in a period characterized by

**skidsteer daewoo 1998 1760xl service manuals and schematics** - Jan 07 2023

web read download daewoo 1760xl service manual

**daewoo doosan 1760xl dsl802 skid steer loader shop** - Aug 14 2023

web may 5 2021 foreword how to use this manual this manual provides information for servicing the 1760xl dsl802 skid steer loader all service procedures are broken

*daewoo doosan ssl1760xl dsl802 skid steer loader parts - Jan 27 2022*

web 316 pages in length complete parts manual for ordering parts on the daewoo 1760xl skid steer loader economically priced instant download

*parts catalog for engine and machine daewoo - Aug 02 2022*

web aug 26 2023 daewoo skidsteer forum general discussion forum for all daewoo skidsteer and daewoo skid steer attachments as well as accessories

daewoo service manuals and parts catalogs instant download - Jul 01 2022

web daewoo 1760xl service manual pdf introduction daewoo 1760xl service manual pdf copy her royal master renee rose 2021 05 06 this is punishment beautiful you

**daewoo 1760xl service manual hanonmckendry com - May 31 2022**

web daewoo 1760xl service manual pdf hanonmckendry com subject daewoo 1760xl service manual pdf created date 8 31 2023 1 33 23 am

daewoo 1760xl skid steer loader parts manual instant download - Oct 24 2021

daewoo 1760xl service manual hanonmckendry com - Dec 26 2021

web daewoo 1760xl skid steer 3496 hrs showing perkins 700 series diesel engine 4 cylinder engine note 1 cylinder is missing liquid cooled joystick controls 66

daewoo 1760xl skidsteer loader d430 engine workshop - May 11 2023

web aug 31 2022 daewoo mega 250 v operation service manual pdf 10 7mb download daewoo mega 400 v new wheel loader specifications pdf 638 7kb download

*daewoo doosan skid loader service manuals and spare parts - Jun 12 2023*

web purchase and download the daewoo 1760xl skid steer loader service manual 252 pages in length complete shop manual for repairs on the daewoo 1760xl skid steer

*skidsteer daewoo 1998 1760xl service manual free - Sep 03 2022*

web daewoo 1760xl service manual unveiling the magic of words a overview of daewoo 1760xl service manual in a world defined by information and interconnectivity the

**daewoo 1760xl service manual - Nov 05 2022**

web skid steer loader daewoo 1760xl service manual dw02 048 1760xl skid steer loader daewoo 1760xl hydraulic and electrical schematic set dw02 049 1760xl

*daewoo 1760xl skid steer loader service manual - Apr 10 2023*

web this is the full text index of all service manuals schematics datasheets and repair information documents files are decompressed supported zip and rar multipart

**daewoo skidsteer forum skidsteer forum bobcat new** - Apr 29 2022

web may 5 2021 cat bucyrus fbl 60 shield hauler operator s manual sn 5003704 pdf download september 7 2023 cat bucyrus dresser 204 m marion

daewoo 1760xl service manual yunqian info - Nov 24 2021

**daewoo doosan 1550xl dsl702 1760xl dsl802** - Oct 04 2022

web we offer oem factory daewoo parts manuals diagrams service manuals diagnostic software all applications manuals available in english language you can download an

daewoo skid steer and wheel loaders service operation - Mar 09 2023

web 23 rows electronics service manual exchange schematics datasheets diagrams repairs schema service manuals eeprom bins pcb as