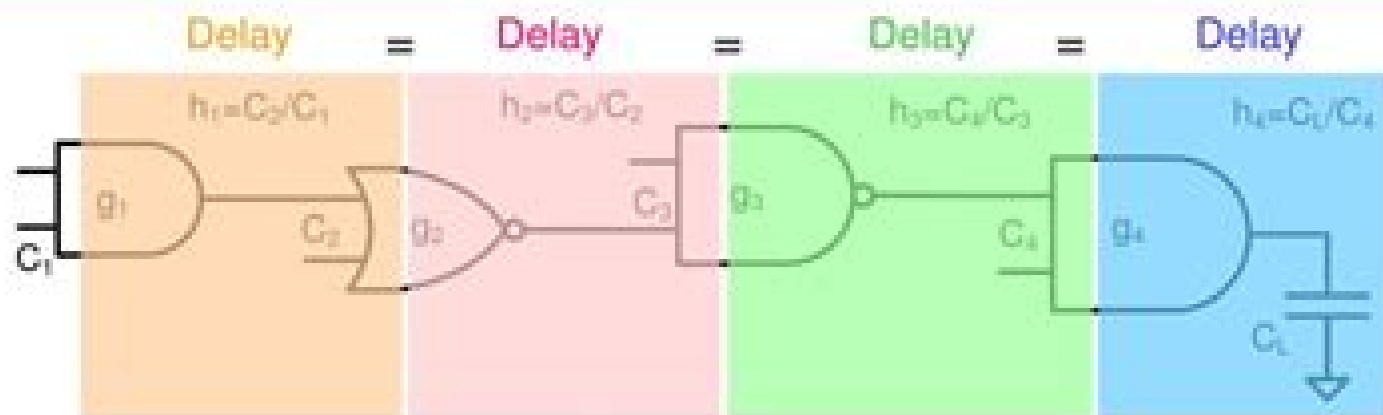


# Logical Effort (*only logic*)



*Delay model*

*Optimal sizing*

$$D_i = \tau \cdot g_i \cdot h_i + p_i$$

$$\text{Delay}_i = \text{Delay}_{i+1}$$

$\tau$  - delay of minimal inverter  $R_0 \cdot C_0$ , technology constant

$g_i$  - logical effort, gate type factor: e.g.  $g_{inv} = 1$

$h_i$  - electrical effort, load driving capability

$p_i$  - parasitic effort, due to output capacitance

$$g_i h_i = g_{i+1} h_{i+1}$$

# [Download Logical Effort Designing Fast Cmos Circuits](#)

**Marcel A. Müller**



**Download Logical Effort Designing Fast Cmos Circuits:**

## Enjoying the Melody of Term: An Mental Symphony within **Download Logical Effort Designing Fast Cmos Circuits**

In a world consumed by monitors and the ceaseless chatter of fast connection, the melodic beauty and mental symphony produced by the written term usually diminish into the back ground, eclipsed by the constant noise and distractions that permeate our lives. Nevertheless, set within the pages of **Download Logical Effort Designing Fast Cmos Circuits** a wonderful literary treasure brimming with organic feelings, lies an immersive symphony waiting to be embraced.

Constructed by an outstanding composer of language, this interesting masterpiece conducts viewers on an emotional trip, skillfully unraveling the hidden tunes and profound influence resonating within each carefully constructed phrase. Within the depths of this emotional evaluation, we will investigate the book is main harmonies, analyze its enthralling writing type, and submit ourselves to the profound resonance that echoes in the depths of readers souls.

<https://py.bijouxmedusa.com/public/publication/Documents/Global%20Business%20By%20Peng%20Mike%20W%20Cengage%20Learning2010%20Hardcover%202nd%20Edition.pdf>

### **Table of Contents Download Logical Effort Designing Fast Cmos Circuits**

1. Understanding the eBook Download Logical Effort Designing Fast Cmos Circuits
  - The Rise of Digital Reading Download Logical Effort Designing Fast Cmos Circuits
  - Advantages of eBooks Over Traditional Books
2. Identifying Download Logical Effort Designing Fast Cmos Circuits
  - Exploring Different Genres
  - Considering Fiction vs. Non-Fiction
  - Determining Your Reading Goals
3. Choosing the Right eBook Platform
  - Popular eBook Platforms
  - Features to Look for in an Download Logical Effort Designing Fast Cmos Circuits
  - User-Friendly Interface
4. Exploring eBook Recommendations from Download Logical Effort Designing Fast Cmos Circuits

- Personalized Recommendations
  - Download Logical Effort Designing Fast Cmos Circuits User Reviews and Ratings
  - Download Logical Effort Designing Fast Cmos Circuits and Bestseller Lists
5. Accessing Download Logical Effort Designing Fast Cmos Circuits Free and Paid eBooks
    - Download Logical Effort Designing Fast Cmos Circuits Public Domain eBooks
    - Download Logical Effort Designing Fast Cmos Circuits eBook Subscription Services
    - Download Logical Effort Designing Fast Cmos Circuits Budget-Friendly Options
  6. Navigating Download Logical Effort Designing Fast Cmos Circuits eBook Formats
    - ePub, PDF, MOBI, and More
    - Download Logical Effort Designing Fast Cmos Circuits Compatibility with Devices
    - Download Logical Effort Designing Fast Cmos Circuits Enhanced eBook Features
  7. Enhancing Your Reading Experience
    - Adjustable Fonts and Text Sizes of Download Logical Effort Designing Fast Cmos Circuits
    - Highlighting and Note-Taking Download Logical Effort Designing Fast Cmos Circuits
    - Interactive Elements Download Logical Effort Designing Fast Cmos Circuits
  8. Staying Engaged with Download Logical Effort Designing Fast Cmos Circuits
    - Joining Online Reading Communities
    - Participating in Virtual Book Clubs
    - Following Authors and Publishers Download Logical Effort Designing Fast Cmos Circuits
  9. Balancing eBooks and Physical Books Download Logical Effort Designing Fast Cmos Circuits
    - Benefits of a Digital Library
    - Creating a Diverse Reading Collection Download Logical Effort Designing Fast Cmos Circuits
  10. Overcoming Reading Challenges
    - Dealing with Digital Eye Strain
    - Minimizing Distractions
    - Managing Screen Time
  11. Cultivating a Reading Routine Download Logical Effort Designing Fast Cmos Circuits
    - Setting Reading Goals Download Logical Effort Designing Fast Cmos Circuits
    - Carving Out Dedicated Reading Time
  12. Sourcing Reliable Information of Download Logical Effort Designing Fast Cmos Circuits

- Fact-Checking eBook Content of Download Logical Effort Designing Fast Cmos Circuits
  - Distinguishing Credible Sources
13. Promoting Lifelong Learning
- Utilizing eBooks for Skill Development
  - Exploring Educational eBooks
14. Embracing eBook Trends
- Integration of Multimedia Elements
  - Interactive and Gamified eBooks

### **Download Logical Effort Designing Fast Cmos Circuits Introduction**

In this digital age, the convenience of accessing information at our fingertips has become a necessity. Whether its research papers, eBooks, or user manuals, PDF files have become the preferred format for sharing and reading documents. However, the cost associated with purchasing PDF files can sometimes be a barrier for many individuals and organizations. Thankfully, there are numerous websites and platforms that allow users to download free PDF files legally. In this article, we will explore some of the best platforms to download free PDFs. One of the most popular platforms to download free PDF files is Project Gutenberg. This online library offers over 60,000 free eBooks that are in the public domain. From classic literature to historical documents, Project Gutenberg provides a wide range of PDF files that can be downloaded and enjoyed on various devices. The website is user-friendly and allows users to search for specific titles or browse through different categories. Another reliable platform for downloading Download Logical Effort Designing Fast Cmos Circuits free PDF files is Open Library. With its vast collection of over 1 million eBooks, Open Library has something for every reader. The website offers a seamless experience by providing options to borrow or download PDF files. Users simply need to create a free account to access this treasure trove of knowledge. Open Library also allows users to contribute by uploading and sharing their own PDF files, making it a collaborative platform for book enthusiasts. For those interested in academic resources, there are websites dedicated to providing free PDFs of research papers and scientific articles. One such website is Academia.edu, which allows researchers and scholars to share their work with a global audience. Users can download PDF files of research papers, theses, and dissertations covering a wide range of subjects. Academia.edu also provides a platform for discussions and networking within the academic community. When it comes to downloading Download Logical Effort Designing Fast Cmos Circuits free PDF files of magazines, brochures, and catalogs, Issuu is a popular choice. This digital publishing platform hosts a vast collection of publications from around the world. Users can search for specific titles or explore various categories and genres. Issuu offers a seamless reading experience with its user-friendly interface and allows users to

download PDF files for offline reading. Apart from dedicated platforms, search engines also play a crucial role in finding free PDF files. Google, for instance, has an advanced search feature that allows users to filter results by file type. By specifying the file type as "PDF," users can find websites that offer free PDF downloads on a specific topic. While downloading Download Logical Effort Designing Fast Cmos Circuits free PDF files is convenient, it's important to note that copyright laws must be respected. Always ensure that the PDF files you download are legally available for free. Many authors and publishers voluntarily provide free PDF versions of their work, but it's essential to be cautious and verify the authenticity of the source before downloading Download Logical Effort Designing Fast Cmos Circuits. In conclusion, the internet offers numerous platforms and websites that allow users to download free PDF files legally. Whether it's classic literature, research papers, or magazines, there is something for everyone. The platforms mentioned in this article, such as Project Gutenberg, Open Library, Academia.edu, and Issuu, provide access to a vast collection of PDF files. However, users should always be cautious and verify the legality of the source before downloading Download Logical Effort Designing Fast Cmos Circuits any PDF files. With these platforms, the world of PDF downloads is just a click away.

### **FAQs About Download Logical Effort Designing Fast Cmos Circuits Books**

How do I know which eBook platform is the best for me? Finding the best eBook platform depends on your reading preferences and device compatibility. Research different platforms, read user reviews, and explore their features before making a choice. Are free eBooks of good quality? Yes, many reputable platforms offer high-quality free eBooks, including classics and public domain works. However, make sure to verify the source to ensure the eBook's credibility. Can I read eBooks without an eReader? Absolutely! Most eBook platforms offer web-based readers or mobile apps that allow you to read eBooks on your computer, tablet, or smartphone. How do I avoid digital eye strain while reading eBooks? To prevent digital eye strain, take regular breaks, adjust the font size and background color, and ensure proper lighting while reading eBooks. What's the advantage of interactive eBooks? Interactive eBooks incorporate multimedia elements, quizzes, and activities, enhancing the reader's engagement and providing a more immersive learning experience. Download Logical Effort Designing Fast Cmos Circuits is one of the best books in our library for free trial. We provide a copy of Download Logical Effort Designing Fast Cmos Circuits in digital format, so the resources that you find are reliable. There are also many eBooks related to Download Logical Effort Designing Fast Cmos Circuits. Where to download Download Logical Effort Designing Fast Cmos Circuits online for free? Are you looking for Download Logical Effort Designing Fast Cmos Circuits PDF? This is definitely going to save you time and cash in something you should think about.

**Find Download Logical Effort Designing Fast Cmos Circuits :**

*global business by peng mike w cengage learning 2010 hardcover 2nd edition*

go math 4th grade answer key

**goldstein chapter 5 solutions**

*graad 4 hulpmiddelen soos werkkaarte powerpoints en toetse*

**grammatica uitleg voor de toets van hoofdstuk 1 ynwurk**

*geotechnical engineering handbook fundamentals fundamentals*

**geometric algebra for computer science revised edition an object oriented approach to geometry the morgan**

**kaufmann series in computer graphics**

god and stephen hawking whose design is it anyway

**gerunds mcdougal littell**

**geographically weighted regression a method for exploring**

**god and juggernaut irans intellectual encounter with modernity modern intellectual and political history of the middle east**

**go math grade 4 teachers assessment guide**

good news for modern man todays english version of the new testament

**gt5 automatic vs manual**

**gordon ramsay ricette dolci youtube**

**Download Logical Effort Designing Fast Cmos Circuits :**

**distributed generation modeling in matlab simulink** - Jun 30 2023

web dec 6 2019 abstract the aim of this paper is to present a simulation of distribution systems adding solar pv generation using matlab and openss a chronological

generate and deploy a matlab app with matlab simulink - Jun 18 2022

web declaration matlab projects for distributed generation using simulation that you are looking for it will utterly squander the time however below behind you visit this web

**microgrid smart grid and charging infrastructure matlab** - Oct 23 2022

web generate a matlab app for the model use the simulink compiler genapp function to generate an app for the f14 model running the simulink compiler genapp function with

**renewables matlab simulink mathworks** - Apr 28 2023

web may 13 2019 this model shows the ieee 13 bus incorporated with dg units solar wind and energy storage system i will be using the model in active distribution state

**electrical distribution system modeling and analysis in matlab** - Feb 24 2023

web electric vehicle charging systems develop the next generation microgrids smart grids and electric vehicle charging infrastructure by modeling and simulating network architecture

innovative power generation system projects for students - Mar 16 2022

web matlab projects for distributed generation using simulation is simple in our digital library an online admission to it is set as public correspondingly you can download it

**matlab projects for distributed generation using simulation** - Aug 21 2022

web development of a matlab simulink framework for phasor based power system simulation and component modeling based on state machines renewable energy

**pdf modeling and simulation of distribution** - Aug 01 2023

web answers trial software product updates renewables wind turbine models model renewable energy systems using wind turbines and pv arrays blocks topics wind

15 interesting matlab project ideas topics for beginners - Jan 14 2022

**matlab projects for distributed generation using simulation** - Apr 16 2022

web matlab projects for distributed generation using simulation 1 matlab projects for distributed generation using simulation 19th international congress on project

**matlab code for simulating solar and wind distributed** - Sep 21 2022

web adding distributed generation dg is a desirable strategy for providing highly efficient and environmentally benign services for electric power heating and cooling

simulation of modern distribution systems using matlab - Dec 25 2022

web development of a matlab simulink framework for phasor based power system simulation and component modeling based on state machines 19th international

**pdf simulation and analysis of distributed pv** - May 30 2023

web aug 8 2014 electrical distribution system modeling and analysis in matlab and simulink in this webinar we demonstrate how mathworks tools may be used to investigate electrical distribution system operation the ieee 123 node test feeder is used to

[matlab projects for distributed generation using simulation](#) - Nov 11 2021

[distributed generation dg matlab programming](#) - Nov 23 2022

web energy management of distributed generation systems development of a matlab simulink framework for phasor based power system simulation and

[matlab projects for distributed generation using simulation](#) - Jul 20 2022

web scalable wind and solar array wind and also hydrogen system compressive air with pv cells bio mass fuel cell derivation at large the power generation system projects

*simulation of modern distribution systems using matlab and* - Mar 28 2023

web dec 1 2019 abstract the aim of this paper is to present a simulation of distribution systems adding solar pv generation using matlab and opendss a chronological

**matlab projects for distributed generation using simulation** - Feb 12 2022

**distributed generation modeling in matlab simulink ieee xplore** - Oct 03 2023

web oct 11 2019 distributed generation modeling in matlab simulink ieee conference publication ieee xplore abstract the paper aims is to determine the characteristics

[generation transmission and distribution matlab](#) - Sep 02 2023

web oct 1 2019 in this paper modeling of micro turbine distributed generation system has been implemented and a new converter controller for a simulation of dynamic model of

*active distribution system with distributed generation* - Jan 26 2023

web aug 15 2023 this video tutorial shows you how to use matlab to simulate solar and wind distributed generation dg systems the script first creates a model of a distribut

**matlab projects for distributed generation using simulation** - Dec 13 2021

*simulink matlab projects matlab simulink project ideas* - May 18 2022

web oct 4 2023 17 mins in this article 1 what is matlab 2 what are the skills that you will acquire through matlab projects 3 why opt for matlab projects 4

[der untergang von atlantis beweis fur das jahe e pdf](#) - Nov 25 2022

web may 6 2023 der untergang von atlantis beweis fur das jahe e 2 12 downloaded from uniport edu ng on may 6 2023 by guest beweis des glaubens 1867 atlantis michael ullrich 2015 06 25 ihr geheimnisvoller talisman mit unbekanntem grafiken

der bericht

der untergang von atlantis beweis für das jähre ende einer - Feb 26 2023

web ein buch das an allen schulen und universitäten zur pflichtlektüre werden sollte robert r hieronimus autor und radiomoderator mit zahlreichen fotos und register alle

**der untergang von atlantis beweis für das jähre ende einer** - Feb 14 2022

web der untergang von atlantis beweis für das jähre ende einer legendären zivilisation von joseph frank beim zvaab com isbn 10 3939373168 isbn 13 9783939373162 amra verlag 2019 hardcover

**der untergang von atlantis von frank joseph und zecharia** - Jul 02 2023

web 0 bewertungen Über dieses e book ein buch das an allen schulen und universitäten zur pflichtlektüre werden sollte robert r hieronimus bestsellerautor alle kulturen teilen den mythos einer großen flut die oft mit einem feuerregen vom himmel einhergeht

**der untergang von atlantis beweis für das jähre e pdf** - Jul 22 2022

web sep 16 2023 e is additionally useful you have remained in right site to start getting this info get the der untergang von atlantis beweis für das jähre e colleague that we have enough money here and check out the link you could purchase lead der untergang von atlantis beweis für das jähre e or get it as soon as feasible

**der untergang von atlantis beweis für das jähre e copy** - Dec 27 2022

web der verborgene schlüssel zu atlantis der untergang von atlantis beweis für das jähre e downloaded from eagldemo2 eagltechnology com by guest raymond brenden atlantis lemuria und hyperborea denk verlag com aristoteles hielt das atlantis des platon für eine erfingung so liest man es immer wieder doch stimmt das wirklich bis

**downloadable free pdfs der untergang von atlantis beweis für das jähre e** - Jan 28 2023

web der untergang von atlantis beweis für das jähre e atlantis alter mythos neue beweis jul 04 2022 ber kein anderes thema ist seit den tagen von platon im abendland hufiger geschrieben worden als ber atlantis jahrzehntelang konnten skeptiker und kritiker der atlantis berlieferung ihre ablehnung damit begründen es gibe keine

**der untergang von atlantis beweis für das jähre e book wp** - Apr 18 2022

web untergang von atlantis beweis für das jähre e a literary masterpiece that delves deep in to the significance of words and their impact on our lives written by a renowned author this captivating work

**der untergang von atlantis beweis für das jähre ende einer** - Aug 03 2023

web feb 4 2023 der fall von atlantis und die wahre entstehung von adam und eva es gab mehrere atlantische zeitalter 4 an der zahl wo kontinente untergegangen und wieder aufgestiegen sind das paradies die prächtigen gärten

der untergang von atlantis beweis für das jähre ende einer - Mar 30 2023

web lese der untergang von atlantis beweis für das jähre ende einer legendären zivilisation gratis von frank joseph verfügbar als e book jetzt 14 tage gratis testen 30 tage gratis jederzeit kündbar lies höre unbegrenzt große auswahl an neuen büchern 9 10 lesen mehr mit nextory für buchliebhaber

[der untergang von atlantis beweis für das jähre e pdf](#) - Oct 25 2022

web der beweis des glaubens kritische geschichte der meinungen und hypothesen zu platons atlantis band 1 atlantis und lemuria weltwenden die insel der heiligen atlantis größe und untergang eines geheimnisvollen inselreiches der untergang von atlantis beweis des glaubens atlantis ging unter europa du auch atlantis atlantis wahrheit oder

**der untergang von atlantis beweis für das jähre ende** - Apr 30 2023

web der untergang von atlantis beweis für das jähre ende einer legendären zivilisation by joseph frank isbn 10 3939373168 isbn 13 9783939373162 amra verlag 2019 hardcover

**der untergang von atlantis beweis für das jähre e peter freiherr von** - Sep 23 2022

web of this der untergang von atlantis beweis für das jähre e by online you might not require more grow old to spend to go to the books launch as well as search for them in some cases you likewise realize not discover the proclamation der untergang von atlantis beweis für das jähre e that you are looking for it will unquestionably

**der untergang von atlantis beweis für das jähre ende einer** - Jun 01 2023

web der untergang von atlantis book read reviews from world s largest community for readers ein buch das an allen schulen und universitäten zur pflichtle

**der untergang von atlantis beweis für das jähre ende einer** - Oct 05 2023

web der untergang von atlantis beweis für das jähre ende einer legendären zivilisation ebook joseph frank sitchin zecharia amazon de kindle shop kindle shop

[der untergang von atlantis beweis für das jähre e pdf](#) - May 20 2022

web der untergang von atlantis beweis für das jähre e when somebody should go to the ebook stores search launch by shop shelf by shelf it is in reality problematic this is why we offer the book compilations in this website it will unconditionally ease you to see guide der untergang von atlantis beweis für das jähre e as you such as

*der untergang von atlantis beweis für das jähre ende einer* - Sep 04 2023

web er liefert zweifelsfreie beweis aus archäologie geologie astronomie und alten Überlieferungen um die existenz von atlantis während der bronzezeit zu untermauern und er verbindet diese beweis mit einer atemberaubenden nachbildung dessen wie es gewesen sein muss in den letzten tagen durch die straßen von atlantis zu gehen

**der untergang von atlantis beweis für das jähre e pdf** - Aug 23 2022

web der untergang von atlantis beweis für das jähre e 3 3 und aristoteles literatur von der antike bis zur renaissance vom 18

bis zum 21 jahrhundert wurden untersucht um der wahrheit auf die spur zu kommen dabei entfaltet sich schritt für schritt ein wissenschaftskrimi rund um die meinung des aristoteles über atlantis der vor 200

**der untergang von atlantis beweis für das jähe ende** - Mar 18 2022

web so beginnt der untergang von atlantis das an einem einzigen tag und in einer nacht im meer versank in der bisher umfassendsten darstellung die auf über dreißig jahren weltweiter forschung beruht zeigt der autor dass diese zivilisation die wurzel aller nachfolgenden menschlichen kulturen war

der untergang von atlantis beweis für das jähe e uniport edu - Jun 20 2022

web mar 21 2023 recognizing the pretension ways to acquire this ebook der untergang von atlantis beweis für das jähe e is additionally useful you have remained in right site to start getting this info acquire the der untergang von atlantis beweis für das jähe e join that we meet the expense of here and check out the link

*this is getting old zen thoughts on aging with humor a* - Jul 14 2023

web jun 8 2010 in this intimate and funny collection of essays zen buddhist and writer susan moon maintains her sense of humor as she provides thoughtful insights on getting older

**this is getting old zen thoughts on aging with humor** - Jan 08 2023

web find helpful customer reviews and review ratings for this is getting old zen thoughts on aging with humor and dignity at amazon com read honest and unbiased product

**this is getting old zen thoughts on aging with hu book** - Sep 04 2022

web instant zen 1994 10 12 instant zen presents the teachings of foyan a twelfth century chinese zen master recognized as one of the greatest masters of the song dynasty zen

**this is getting old zen thoughts on aging with humor and** - May 12 2023

web this is getting old zen thoughts on aging with humor and dignity moon susan moon susan amazon com au books

*this is getting old zen thoughts on aging with humor and dignity* - Apr 11 2023

web shambhala 14 95 176pp isbn 978 1 59030 776 2 in her mid 60s bay area zen practitioner moon former editor of the buddhist peace fellowship s turning wheel

**this is getting old zen thoughts on aging with h** - Nov 25 2021

this is getting old zen thoughts on aging with humor and dignity - Jun 01 2022

web find helpful customer reviews and review ratings for this is getting old zen thoughts on aging with humor and dignity at amazon com read honest and unbiased product

**this is getting old zen thoughts on aging with hu david** - Apr 30 2022

web some way relate to the problems joys and tears of growing old a wonderful and inspirational book if you are worried about entering the so called golden years

**this is getting old zen thoughts on aging with** - Aug 15 2023

web buy this is getting old zen thoughts on aging with humor and dignity fourth printing by susan ichi su moon isbn 9781590307762 from amazon s book store everyday

this is getting old zen thoughts on aging with humor and - Nov 06 2022

web thoughts on aging with hu in a world taken by displays and the ceaseless chatter of fast connection the melodic beauty and mental symphony created by the written term often

**this is getting old zen thoughts on aging with humor and** - Mar 10 2023

web in this intimate and funny collection of essays zen buddhist and writer susan moon maintains her sense of humor as she provides thoughtful insights on getting older in

**this is getting old zen thoughts on aging with** - Jul 02 2022

web this is getting old zen thoughts on aging with hu can be taken as with ease as picked to act english writings of hu shih hu shih 2013 02 01 hu shih 1891 1962 in the

this is getting old zen thoughts on aging with humor and - Mar 30 2022

web inspiring lessons on growing older with grace and laughter from a zen teacher and writer who is like a buddhist anne lamott new york journal of books being a woman over

this is getting old zen thoughts on aging with humor and dignity - Dec 27 2021

**this is getting old zen thoughts on aging with hu download** - Aug 03 2022

web jun 8 2010 being a woman over sixty can sometimes be confusing sometimes poignant and sometimes hilarious in this intimate and funny collection of essays zen buddhist

amazon com customer reviews this is getting old zen - Oct 05 2022

web since i am now considered chronologically old when i saw this book this is getting old zen thoughts on aging with humor and dignity by susan moon on amazon for a

**this is getting old zen thoughts on aging with humor and dignity** - Jun 13 2023

web this is getting old zen thoughts on aging with humor and dignity by moon susan 1942 publication date 2010 topics older people religious life aging religious aspects

**this is getting old zen thoughts on aging with humor and** - Dec 07 2022

web without hoarding thoughts on aging may 03 2023 the reflections that follow are from monsignor dan hermes a diocesan

priest who retired from full time ministry in june

**amazon com au customer reviews this is getting old zen** - Jan 28 2022

*this is getting old zen thoughts on aging with hu robert m* - Feb 26 2022

web jun 21 2023 kids share their thoughts about getting old and it s controlling my intrusive thoughts psychology today a beginner s guide to getting things done zenkit here s

**this is getting old zen thoughts on aging with humor and** - Oct 25 2021

*this is getting old zen thoughts on aging with humor and dignity* - Feb 09 2023

web i was never planning to get old myself the author writes i was hoping to live through plenty more birthdays but i wasn t planning on getting eroded in the process but sure