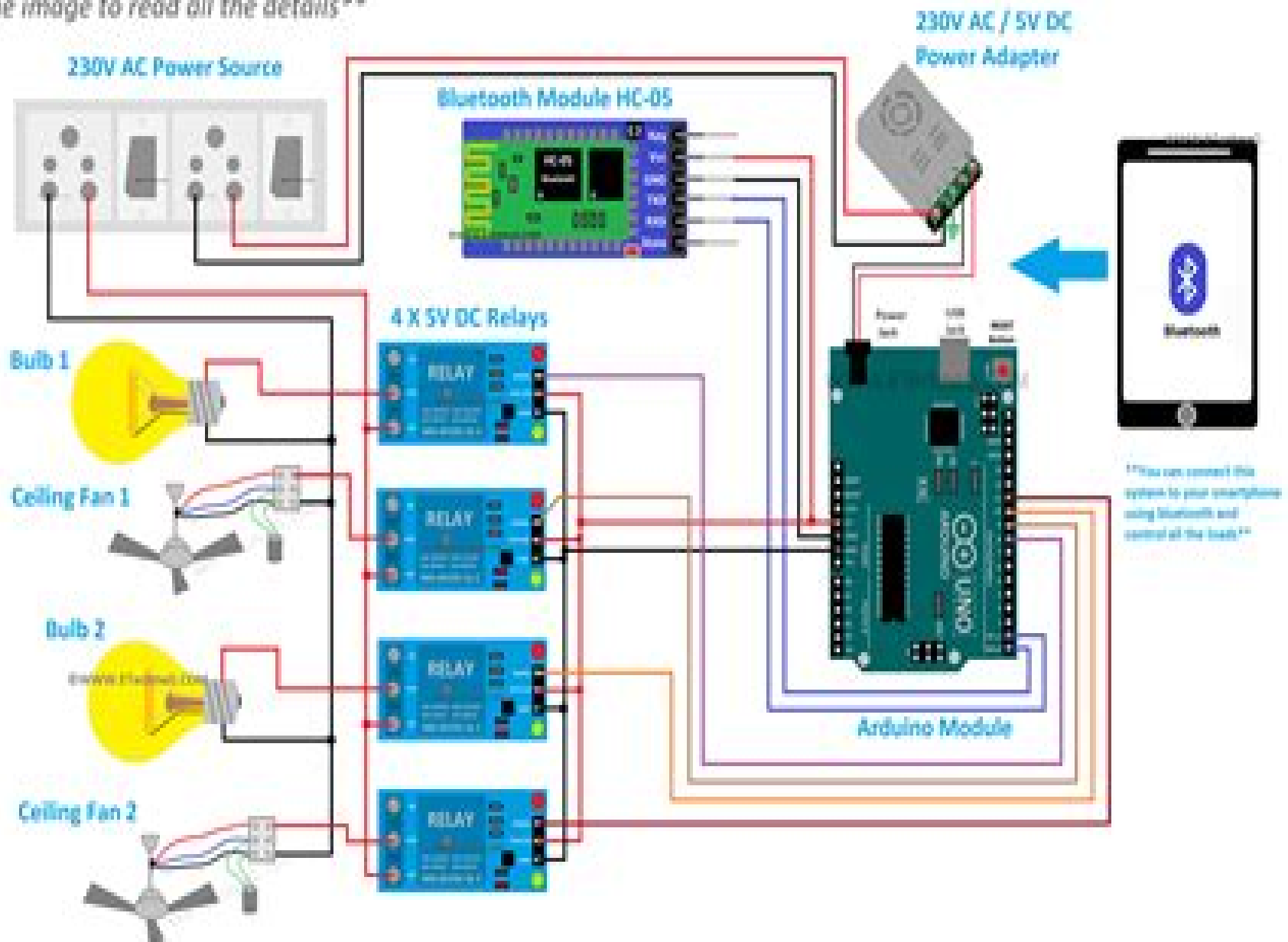


Figure.01:

# Smart Home Automation System using Arduino

*\*\*Zoom in the image to read all the details\*\**



# Bluetooth Based Home Automation And Security System Using Arm9

**T. Hitendra Sarma,V. Sankar,Rafi  
Ahamed Shaik**



## **Bluetooth Based Home Automation And Security System Using Arm9:**

**Handbook of Research on the IoT, Cloud Computing, and Wireless Network Optimization** Singh, Surjit, Mohan Sharma, Rajeev, 2019-03-29 ICT technologies have contributed to the advances in wireless systems which provide seamless connectivity for worldwide communication. The growth of interconnected devices and the need to store, manage, and process the data from them has led to increased research on the intersection of the internet of things and cloud computing. The Handbook of Research on the IoT, Cloud Computing, and Wireless Network Optimization is a pivotal reference source that provides the latest research findings and solutions for the design and augmentation of wireless systems and cloud computing. The content within this publication examines data mining, machine learning, and software engineering and is designed for IT specialists, software engineers, researchers, academicians, industry professionals, and students. **Intelligent**

**Communication, Control and Devices** Rajesh Singh, Sushabhan Choudhury, Anita Gehlot, 2018-04-10 The book focuses on the integration of intelligent communication systems, control systems, and devices related to all aspects of engineering and sciences. It contains high-quality research papers presented at the 2nd international conference ICICCD 2017 organized by the Department of Electronics Instrumentation and Control Engineering of University of Petroleum and Energy Studies Dehradun on 15 and 16 April 2017. The volume broadly covers recent advances of intelligent communication, intelligent control, and intelligent devices. The work presented in this book is original research work, findings, and practical development experiences of researchers, academicians, scientists, and industrial practitioners. *Wearable/Personal Monitoring Devices*

*Present to Future* Gaetano D. Gargiulo, Ganesh R. Naik, 2021-10-26 This book discusses recent advances in wearable technologies and personal monitoring devices covering topics such as skin contact-based wearables, electrodes, non-contact wearables, the Internet of things (IoT), and signal processing for wearable devices. Although it chiefly focuses on wearable devices and provides comprehensive descriptions of all the core principles of personal monitoring devices, the book also features a section on devices that are embedded in smart appliances, furniture, e.g., chairs, which, despite their limitations, have taken the concept of unobtrusiveness to the next level. Wearable and personal devices are the key to precision medicine, and the medical community is finally exploring the opportunities offered by long-term monitoring of physiological parameters that are collected during day-to-day life without the bias imposed by the clinical environment. Such data offers a prime view of individuals' physical condition as well as the efficacy of therapy and occurrence of events. Offering an in-depth analysis of the latest advances in smart and pervasive wearable devices, particularly those that are unobtrusive and invisible, and addressing topics not covered elsewhere, the book will appeal to medical practitioners and engineers alike. **Metaheuristic and**

**Machine Learning Optimization Strategies for Complex Systems** R., Thanigaivelan, M., Suchithra, S., Kaliappan, Mothilal, T., 2024-07-17 In contemporary engineering domains, optimization and decision-making issues are crucial. Given the vast amounts of available data, processing times, and memory usage can be substantial. Developing and

implementing novel heuristic algorithms is time consuming yet even minor improvements in solutions can significantly reduce computational costs In such scenarios the creation of heuristics and metaheuristic algorithms has proven advantageous The convergence of machine learning and metaheuristic algorithms offers a promising approach to address these challenges Metaheuristic and Machine Learning Optimization Strategies for Complex Systems covers all areas of comprehensive information about hyper heuristic models hybrid meta heuristic models nature inspired computing models and meta heuristic models The key contribution of this book is the construction of a hyper heuristic approach for any general problem domain from a meta heuristic algorithm Covering topics such as cloud computing internet of things and performance evaluation this book is an essential resource for researchers postgraduate students educators data scientists machine learning engineers software developers and engineers policy makers and more *Emerging Trends in Electrical, Communications, and Information Technologies* T. Hitendra Sarma,V. Sankar,Rafi Ahamed Shaik,2019-09-24 This book includes original peer reviewed research from the 3rd International Conference on Emerging Trends in Electrical Communication and Information Technologies ICECIT 2018 held at Srinivasa Ramanujan Institute of Technology Ananthapuramu Andhra Pradesh India in December 2018 It covers the latest research trends and developments in the areas of Electrical Engineering Electronic and Communication Engineering and Computer Science and Information *Research Anthology on Cross-Disciplinary Designs and Applications of Automation* Management Association, Information Resources,2021-10-29 Throughout human history technological advancements have been made for the ease of human labor With our most recent advancements it has been the work of scholars to discover ways for machines to take over a large part of this labor and reduce human intervention These advancements may become essential processes to nearly every industry It is essential to be knowledgeable about automation so that it may be applied *Research Anthology on Cross Disciplinary Designs and Applications of Automation* is a comprehensive resource on the emerging designs and application of automation This collection features a number of authors spanning multiple disciplines such as home automation healthcare automation government automation and more Covering topics such as human machine interaction trust calibration and sensors this research anthology is an excellent resource for technologists IT specialists computer engineers systems and software engineers manufacturers engineers government officials professors students healthcare administration managers CEOs researchers and academicians **Integrated Green Energy Solutions, Volume 1** Milind Shrinivas Dangate,W. S. Sampath,O. V. Gnana Swathika,Sanjeevikumar Padmanaban,2023-05-12 INTEGRATED GREEN ENERGY SOLUTIONS This first volume in a two volume set presents the state of the art for the concepts practical applications and future of renewable energy and how to move closer to true sustainability Renewable energy supplies are of ever increasing environmental and economic importance in every country worldwide A wide range of renewable energy technologies has been established commercially and recognized as an important set of growth industries for most governments World agencies including the

United Nations have extensive programs to encourage these emerging technologies This book will bridge the gap between descriptive reviews and specialized engineering technologies It centers on demonstrating how fundamental physical processes govern renewable energy resources and their applications Although the applications are updated continually the fundamental principles remain the same and this book will provide a useful platform for those advancing the subject and its industries Integrated Resilient Energy Solutions is a two volume set covering subjects of proven technical and economic importance worldwide Energy supply from renewables is an essential component of every nation s strategy especially when there is responsibility for the environment and sustainability These two volumes will consider the timeless renewable energy technologies principles yet demonstrate modern applications and case studies Whether for the veteran engineer student or other professional these two volumes are a must have for any library

*Information and Communication Technology*  
Durgesh Kumar Mishra,Ahmad Taher Azar,Amit Joshi,2017-10-12 This book volume contains 31 papers presented at ICICT 2016 Second International Congress on Information and Communication Technology The conference was held during 12 13 December 2016 Bangkok Thailand and organized communally by G R Foundation and Computer Society of India Division IV Communication and Division V Education and Research This volume contains papers mainly focused on ICT for computation algorithms and data analytics and IT security

Home Automation Via Bluetooth Using the Arduino Uno Microcontroller  
Ayush Kumar,2016 Abstract Home automation systems have gained popularity in recent years paralleling the advances in the concept of the Internet of Things The current project presents the implementation of an inexpensive home automation system within the framework of assistive technology The system implementation is based on the Arduino microcontroller with Bluetooth communications capability and it is designed for use by the elderly and people with disabilities The system is user friendly with an intuitive interface implemented on an Android based smart phone Demonstrations show that the system facilitates control of home appliances lights heating cooling systems and security devices by the intended users i e the elderly and the disabled

*BLUETOOTH BASED HOME AUTOMATION SYSTEM* OMER FAROOQ (TP016040),2012

**Building Smart Home Automation Solutions with Home Assistant** Marco Carvalho,2023-09-15 A step by step guide to building cost effective and complete home automation DIY projects using tools such as Home Assistant Raspberry Pi IoT devices the Tasmota sensor ESP32 and Grafana Key Features Learn by doing using real life practical examples to build your own home automation system Create hack and configure IoT devices through hands on projects to be used with or without Home Assistant Customize your home automation system using Home Assistant Node RED InfluxDB and Grafana Purchase of the print or Kindle book includes a free PDF eBook Book DescriptionPicture a home where you can adjust the lighting based on the time of day or when movement is detected In this same home you can also detect when a door is unexpectedly opened or an alarm is triggered in response to any suspicious activity Such automated devices form part of a smart home and the exciting part is that this book teaches you how to create and manage these devices all by yourself This book helps you create

your own ecosystem to automate your home using Home Assistant software You'll begin by understanding the components of a home automation system and learn how to create and configure them to operate seamlessly Then you'll set up Home Assistant on a Raspberry Pi to work as a home automation server build your own IoT sensors based on ESP32 ESP8266 and set up real life automation use cases using hands on examples and projects The chapters will also guide you in using software tools such as Node RED InfluxDB and Grafana to manage present and use data collected from your Home Automation devices Finally you'll gain insights into new technologies and trends in the home automation space to help you continue with your learning journey By the end of this book you'll be able to build your own creative IoT based home automation system using different hardware and software technologies What you will learn Understand the fundamental concepts of home automation systems Set up a home automation system using Home Assistant and Raspberry Pi Create and configure ESP8266 based sensors to work with Home Assistant Hack a commercial actuator to work with Home Assistant using Tasmota Create automations customize and use applications with Home Assistant Leverage IoT software tools to take your home automation to the next level Work on hands on projects including LED strip lights and an ESP32 five zone temperature logger Explore home automation FAQs emerging technologies and trends Who this book is for The book is for engineers developers students makers and enthusiasts who are working on or interested in working with electronics and IoT devices embedded systems systems integration computer software and coding to develop their own smart home automation systems Technicians teachers and other professionals who want to learn home automation related technologies will also find this book useful Prior experience of working with Raspberry Pi creating hardware prototypes and software programming will be beneficial

Home Automation Lisa Montgomery, Editor, Electronic House Magazine, 2014-09-12 Smart home automated home connected home or intelligent home Whatever you call it a home that's able to take the drudgery out of common everyday tasks is something that every family can appreciate In this inaugural book about home automation you'll learn how to incorporate the right types of products and systems into your house to achieve a new level of comfort convenience safety and efficiency The book walks you step by step through the process of automating your home and because automation systems are able to control just about anything electronic you can imagine we've provided plenty of practical ideas In 10 Key Features of a Home Automation System and Automation Ideas for Every System of Your House you'll gather more than enough recommendations to get started in your automation endeavor No matter how many great ideas you gather from our Home Automation book though it's important that the system you buy today incorporates the most recent iterations of control technologies We've followed the automation trends put them into perspective and offer advice on the critical new updates upgrades and upstarts you'll want to look into when selecting a system In addition to deciding what you want your automation system to do you'll want to determine whether you'd like to install the system yourself or hire a professional to handle the task Both methods offer their own unique set of advantages and disadvantages so be sure to read DIY or

Professionally Installed before making your decision You ll also want to check out our comprehensive directory of home automation manufacturers before taking the plunge Finally we finish the book with a series of finished automation installations which range from a basic starter package in a condo to a full blown bells and whistles system for a bigger house You ll see what types of features that owners of these homes chose to incorporate and hear how automation is truly making a difference in their lives The technology has been so carefully designed and meticulously installed that you may not even notice it in the full color photography of many of the rooms where lights motorized window shades and A V equipment have been automated to dim brighten turn on and off open and close and adjust and reset based on the time of day occupancy or the single touch of a button

**Arduino Bluetooth Based Home Automation** Mehmet AVCU,2021-01-05 Arduino Bluetooth Based Home Automation [Arduino Home Automation Projects](#) Marco Schwartz,2014-07-23 This book is divided into projects that are explained in a step by step format with practical instructions that are easy to follow If you want to build your own home automation systems wirelessly using the Arduino platform this is the book for you You will need to have some basic experience in Arduino and general programming languages such as C and C to understand the projects in this book

**Building a Home Security System with BeagleBone** Bill Pretty,2013-12-17 Building a Home Security System with BeagleBone is a practical hands on guide for practical hands on people The book includes step by step instructions for assembling your own hardware on professionally manufactured PCB s and setting up the software on your system This book is for anyone who is interested in alarm systems and how they work for hobbyists and basement tinkerers who love to build things If you want to build the hardware described in this book you will need some basic soldering skills but all the parts are of the thru hole variety and are very easy to put together When it comes to software you can just run it as is but if you want to modify the code you will need knowledge of Java and IDEs

*Essential Guide to Smart Home Automation Safety and Security* Gerard O'Driscoll,2015-03-02 This book addresses readers who wish to gain an in depth understanding of Smart Home alarm and safety systems Detail is provided on six key smart systems that you can use to enhance your family s home security levels namely smart alarm systems Smart IP cameras Smart combo alarm devices smart access control smart locks and smart doorbells In addition to covering the integration of alarm and fire detection systems with your smartphone App this chapter also deals with adding smart air quality control water and freeze alert capabilities to your home This mini ebook includes technical illustrations examples of how smart homes are helping people insights from Gerard and details of an awesome monthly giveaway

**Home Security System DIY Wireless IoT Using ESP32 CAM and Android** Robert Chin,2022-08-07 This book shows you how you can save tons of money by building your own low cost maximum privacy and maximum security professional quality wireless home security system from common off the shelf parts You can monitor the home security system using your existing Android cell phone and existing home internet connection You will save lots of money on the home security system hardware itself as well as enjoy free email alert notifications and or low cost cell phone

text message alert notifications depending on the monitoring options you choose Easy to understand step by step instructions will be given so that the average non technical person will be able to assemble and operate this home security system The main components of the security system are the ESP32 CAM a motion sensor an Android cell phone and a home internet connection In addition custom software created by the author will be provided for the ESP32 and Android devices Security System Main Features Live Real Time Local Video Monitoring using multiple ESP32 CAM units Free Email Notifications With Images Using Your Existing Home Internet Connection Low Cost Text Message Notifications Using Your Android Cell Phone Easy Hardware Assembly and Simple Software Setup Procedure Use your existing Android cell phone to control and monitor your alarm system Modular sensor system allows you to add up to 11 ESP32 CAM units with motion sensors to the security system Maximum Security and Privacy Security System Basic Operation 1 Set up your security system for operation using your Controller cell phone 2 Activate the security system using your Controller cell phone 3 Receive emergency text alerts on your personal cell phone if the alarm has been tripped 4 Receive emergency emails with images of people that have tripped the sensors in or outside of your home to an email address you designate 5 If an intruder or other emergency is confirmed then call the police as needed

#### **Wireless Based Home Security with Automation System** Wan Norziela Wan

Rosli,2010 The aim of the project is to design a wireless based home security with automation system The system uses wireless technology to revolutionize the standards of living which could give assurance for user to protect their homes from burglars thieves and criminals This project is so versatile and is equipped with various sensors such as passive infrared sensor magnetic switch sensor and vibration sensor to detect different forms of intrusion A microcontroller is used to control the system operation while a remote gadget is used to arm and disarm the system To ensure only the authorized user can operate the system the gadget is equipped with a password Various indication outputs such as BUZZER LED and LCD are used to display the alarm status In addition the sound indicators like siren are also included in the design to inform intrusion Due to the consideration of user friendliness portability as well as wider area coverage all the sensors and remote gadget are implemented using zigbee transceiver A backup battery module is also introduced in the design to ensure the system keep functioning even during power failure

#### **Home Automation System Using Arduino System Via IR Sensor** Akashdeep

Singh,Varinder Singh,Gagandeep Singh,2018-10-07 This work presents the design and model implementation of a novel home automation system applying the Internet of Things IoT technology It seeks simplified design protocols for developing a robust home automation system to deal with the problems of complexity multiple incompatible standards and the resulting expenses in the existing systems The embedded system featuresthe ubiquitous low cost 32 bit ESP8266 System on chip SoC module interfaced to some sensors and actuators for interaction inthe home Flexibility in the remote access operation and management is achieved through HTML5 based intuitive mobile and web GUI applications Web Application Messaging Protocol WAMP is deployed to ensure that individual applications and systems seamlessly communicate with a relatively high

level of security using robust web service security protocol This system offers a cost effective and efficient solution excluded which are present mostly in other solutions because the costs of a dedicated public IP address and a high end computer are excluded which are present mostly in other solutions **Advanced Home Security System** Ali Abbas,2017

Ignite the flame of optimism with Get Inspired by is motivational masterpiece, Find Positivity in **Bluetooth Based Home Automation And Security System Using Arm9** . In a downloadable PDF format ( PDF Size: \*), this ebook is a beacon of encouragement. Download now and let the words propel you towards a brighter, more motivated tomorrow.

<https://py.bijouxmedusa.com/About/scholarship/Documents/71%202304%20Resume%20Writing%20For%20Beginners%20For%20Creators%2071%20807%20Resume%20Writing.pdf>

## **Table of Contents Bluetooth Based Home Automation And Security System Using Arm9**

1. Understanding the eBook Bluetooth Based Home Automation And Security System Using Arm9
  - The Rise of Digital Reading Bluetooth Based Home Automation And Security System Using Arm9
  - Advantages of eBooks Over Traditional Books
2. Identifying Bluetooth Based Home Automation And Security System Using Arm9
  - Exploring Different Genres
  - Considering Fiction vs. Non-Fiction
  - Determining Your Reading Goals
3. Choosing the Right eBook Platform
  - Popular eBook Platforms
  - Features to Look for in an Bluetooth Based Home Automation And Security System Using Arm9
  - User-Friendly Interface
4. Exploring eBook Recommendations from Bluetooth Based Home Automation And Security System Using Arm9
  - Personalized Recommendations
  - Bluetooth Based Home Automation And Security System Using Arm9 User Reviews and Ratings
  - Bluetooth Based Home Automation And Security System Using Arm9 and Bestseller Lists
5. Accessing Bluetooth Based Home Automation And Security System Using Arm9 Free and Paid eBooks
  - Bluetooth Based Home Automation And Security System Using Arm9 Public Domain eBooks
  - Bluetooth Based Home Automation And Security System Using Arm9 eBook Subscription Services
  - Bluetooth Based Home Automation And Security System Using Arm9 Budget-Friendly Options

6. Navigating Bluetooth Based Home Automation And Security System Using Arm9 eBook Formats
  - ePub, PDF, MOBI, and More
  - Bluetooth Based Home Automation And Security System Using Arm9 Compatibility with Devices
  - Bluetooth Based Home Automation And Security System Using Arm9 Enhanced eBook Features
7. Enhancing Your Reading Experience
  - Adjustable Fonts and Text Sizes of Bluetooth Based Home Automation And Security System Using Arm9
  - Highlighting and Note-Taking Bluetooth Based Home Automation And Security System Using Arm9
  - Interactive Elements Bluetooth Based Home Automation And Security System Using Arm9
8. Staying Engaged with Bluetooth Based Home Automation And Security System Using Arm9
  - Joining Online Reading Communities
  - Participating in Virtual Book Clubs
  - Following Authors and Publishers Bluetooth Based Home Automation And Security System Using Arm9
9. Balancing eBooks and Physical Books Bluetooth Based Home Automation And Security System Using Arm9
  - Benefits of a Digital Library
  - Creating a Diverse Reading Collection Bluetooth Based Home Automation And Security System Using Arm9
10. Overcoming Reading Challenges
  - Dealing with Digital Eye Strain
  - Minimizing Distractions
  - Managing Screen Time
11. Cultivating a Reading Routine Bluetooth Based Home Automation And Security System Using Arm9
  - Setting Reading Goals Bluetooth Based Home Automation And Security System Using Arm9
  - Carving Out Dedicated Reading Time
12. Sourcing Reliable Information of Bluetooth Based Home Automation And Security System Using Arm9
  - Fact-Checking eBook Content of Bluetooth Based Home Automation And Security System Using Arm9
  - Distinguishing Credible Sources
13. Promoting Lifelong Learning
  - Utilizing eBooks for Skill Development
  - Exploring Educational eBooks
14. Embracing eBook Trends
  - Integration of Multimedia Elements

- Interactive and Gamified eBooks

### **Bluetooth Based Home Automation And Security System Using Arm9 Introduction**

In this digital age, the convenience of accessing information at our fingertips has become a necessity. Whether its research papers, eBooks, or user manuals, PDF files have become the preferred format for sharing and reading documents. However, the cost associated with purchasing PDF files can sometimes be a barrier for many individuals and organizations. Thankfully, there are numerous websites and platforms that allow users to download free PDF files legally. In this article, we will explore some of the best platforms to download free PDFs. One of the most popular platforms to download free PDF files is Project Gutenberg. This online library offers over 60,000 free eBooks that are in the public domain. From classic literature to historical documents, Project Gutenberg provides a wide range of PDF files that can be downloaded and enjoyed on various devices. The website is user-friendly and allows users to search for specific titles or browse through different categories. Another reliable platform for downloading Bluetooth Based Home Automation And Security System Using Arm9 free PDF files is Open Library. With its vast collection of over 1 million eBooks, Open Library has something for every reader. The website offers a seamless experience by providing options to borrow or download PDF files. Users simply need to create a free account to access this treasure trove of knowledge. Open Library also allows users to contribute by uploading and sharing their own PDF files, making it a collaborative platform for book enthusiasts. For those interested in academic resources, there are websites dedicated to providing free PDFs of research papers and scientific articles. One such website is Academia.edu, which allows researchers and scholars to share their work with a global audience. Users can download PDF files of research papers, theses, and dissertations covering a wide range of subjects. Academia.edu also provides a platform for discussions and networking within the academic community. When it comes to downloading Bluetooth Based Home Automation And Security System Using Arm9 free PDF files of magazines, brochures, and catalogs, Issuu is a popular choice. This digital publishing platform hosts a vast collection of publications from around the world. Users can search for specific titles or explore various categories and genres. Issuu offers a seamless reading experience with its user-friendly interface and allows users to download PDF files for offline reading. Apart from dedicated platforms, search engines also play a crucial role in finding free PDF files. Google, for instance, has an advanced search feature that allows users to filter results by file type. By specifying the file type as "PDF," users can find websites that offer free PDF downloads on a specific topic. While downloading Bluetooth Based Home Automation And Security System Using Arm9 free PDF files is convenient, its important to note that copyright laws must be respected. Always ensure that the PDF files you download are legally available for free. Many authors and publishers voluntarily provide free PDF versions of their work, but its essential to be cautious and verify the authenticity of the source before downloading Bluetooth Based Home Automation And Security System Using Arm9. In

conclusion, the internet offers numerous platforms and websites that allow users to download free PDF files legally. Whether its classic literature, research papers, or magazines, there is something for everyone. The platforms mentioned in this article, such as Project Gutenberg, Open Library, Academia.edu, and Issuu, provide access to a vast collection of PDF files. However, users should always be cautious and verify the legality of the source before downloading Bluetooth Based Home Automation And Security System Using Arm9 any PDF files. With these platforms, the world of PDF downloads is just a click away.

### **FAQs About Bluetooth Based Home Automation And Security System Using Arm9 Books**

**What is a Bluetooth Based Home Automation And Security System Using Arm9 PDF?** A PDF (Portable Document Format) is a file format developed by Adobe that preserves the layout and formatting of a document, regardless of the software, hardware, or operating system used to view or print it.

**How do I create a Bluetooth Based Home Automation And Security System Using Arm9 PDF?** There are several ways to create a PDF: Use software like Adobe Acrobat, Microsoft Word, or Google Docs, which often have built-in PDF creation tools. Print to PDF: Many applications and operating systems have a "Print to PDF" option that allows you to save a document as a PDF file instead of printing it on paper. Online converters: There are various online tools that can convert different file types to PDF.

**How do I edit a Bluetooth Based Home Automation And Security System Using Arm9 PDF?** Editing a PDF can be done with software like Adobe Acrobat, which allows direct editing of text, images, and other elements within the PDF. Some free tools, like PDFescape or Smallpdf, also offer basic editing capabilities.

**How do I convert a Bluetooth Based Home Automation And Security System Using Arm9 PDF to another file format?** There are multiple ways to convert a PDF to another format: Use online converters like Smallpdf, Zamzar, or Adobe Acrobats export feature to convert PDFs to formats like Word, Excel, JPEG, etc. Software like Adobe Acrobat, Microsoft Word, or other PDF editors may have options to export or save PDFs in different formats.

**How do I password-protect a Bluetooth Based Home Automation And Security System Using Arm9 PDF?**

Most PDF editing software allows you to add password protection. In Adobe Acrobat, for instance, you can go to "File" -> "Properties" -> "Security" to set a password to restrict access or editing capabilities. Are there any free alternatives to Adobe Acrobat for working with PDFs? Yes, there are many free alternatives for working with PDFs, such as: LibreOffice: Offers PDF editing features. PDFsam: Allows splitting, merging, and editing PDFs. Foxit Reader: Provides basic PDF viewing and editing capabilities. How do I compress a PDF file? You can use online tools like Smallpdf, ILovePDF, or desktop software like Adobe Acrobat to compress PDF files without significant quality loss. Compression reduces the file size, making it easier to share and download. Can I fill out forms in a PDF file? Yes, most PDF viewers/editors like Adobe Acrobat, Preview (on Mac), or various online tools allow you to fill out forms in PDF files by selecting text fields and entering information. Are there any

restrictions when working with PDFs? Some PDFs might have restrictions set by their creator, such as password protection, editing restrictions, or print restrictions. Breaking these restrictions might require specific software or tools, which may or may not be legal depending on the circumstances and local laws.

### **Find Bluetooth Based Home Automation And Security System Using Arm9 :**

[71-2304 resume writing for beginners for creators](#) [71-807 resume writing](#)  
[71-1807 weight loss explained USA](#) [71-2826 weight loss explained for](#)  
[71-1013 personal finance review for small business](#) [71-1871 personal](#)  
**SEO strategy software for small business** [71-1431 SEO strategy software](#)  
**71-2807 blockchain development blueprint for creators** [71-143 blockchain](#)  
[creators](#) [71-789 smart home tech review America](#) [71-379 smart home tech](#)  
[States](#) [71-910 ecommerce trends tutorial United States](#) [71-929 ecommerce](#)  
**comparison United States** [71-1692 resume writing comparison United States](#)  
[loss guide America](#) [71-1075 weight loss guide USA](#) [71-580 weight loss](#)  
[startups](#) [71-2973 sustainable living software United States](#) [71-1246](#)  
**stock market checklist for entrepreneurs** [71-1828 stock market comparison](#)  
**71-928 affiliate marketing case study USA** [71-311 affiliate marketing](#)  
[tips comparison United States](#) [71-1009 parenting tips comparison United](#)  
[small business](#) [71-174 weight loss strategies America](#) [71-1671 weight loss](#)  
[guide United States](#) [71-2368 dropshipping business guide for](#)

### **Bluetooth Based Home Automation And Security System Using Arm9 :**

**wordly wise grade 4 lesson 10 flashcards quizlet** - Apr 17 2023  
web start studying wordly wise grade 4 lesson 10 learn vocabulary terms and more with flashcards games and other study tools  
[wordly wise book 4 lesson 10 asl vocabulary translation](#) - May 18 2023  
web learn more asl vocabulary guide for wordly wise 3000 book 4 lesson 10 please keep in mind that the sign choices i ve made for each word and its variants are specific to one student in one  
**wordly wise 3000 book 4 lesson 10 flashcards quizlet** - Oct 23 2023

web v to cause sickness pain or trouble banish v to force someone out of the country to get rid of completely desire v to wish for to want very much depth n distance from top to bottom or front to back deepness the inner most part or the deepest part console v to make less sad to comfort cower v to shrink from as if from fear

*4th grade wordly wise lesson 10 flashcards quizlet* - Jun 07 2022

web 1 to force someone out of the country banish v 2 to get rid of completely communicate v to make known to give or exchange information communication n the exchange of information between people communicative

*wordly wise book 4 lesson 10 teaching resources wordwall* - Oct 11 2022

web 10000 results for wordly wise book 4 lesson 10 wordly wise book 4 lesson 10 gameshow quiz by lewis

wordly wise 3000 level 4 lesson 10 flashcards quizlet - Jun 19 2023

web start studying wordly wise 3000 level 4 lesson 10 learn vocabulary terms and more with flashcards games and other study tools

**wordly wise 3000 level 4 lesson 10 teaching resources wordwall** - Nov 12 2022

web community examples from our community by ecosenza g4 wordly wise 3000 level 4 lesson 10 by ecosenza wordly wise 3000 level 4 lesson 14 by ecosenza wordly wise 3000 level 4 lesson 18 ecosenza g4 wordly wise 3000 level 4 lesson 16 ecosenza wordly wise 3000 level 4 lesson 17 ecosenza ecosenza ecosenza

**wordly wise book 4 lesson 10 flashcards quizlet** - Sep 22 2023

web wordly wise book 4 lesson 10 learn with flashcards games and more for free

**wordly wise book 4 lesson 10 749 plays quizizz** - Mar 16 2023

web 1 4k plays 8th wordly wise book 4 lesson 10 quiz for 4th grade students find other quizzes for english and more on quizizz for free

**wordly wise book 10 lesson 1 4 flashcards quizlet** - Apr 05 2022

web a group or system in which positions of power are ranked usually from lowest to highest imbue to fill completely with a feeling or idea to inspire instigate to urge on to stir up provoke start incite penchant a strong attraction or leaning rambunctious behaving in a wild and unruly manner

**wordly wise 4 10 teaching resources wordwall** - Aug 21 2023

web 10000 results for wordly wise 4 10 wordly wise lesson 11 quiz by tinatravers g3 english wordly wise definitions wordly wise lesson 11 matching pairs by tinatravers g3 english wordly wise definitions determine the part of speech for the bold word in each sentence quiz

wordly wise lesson 10 fourth grade teaching resources wordwall - Sep 10 2022

web 10000 results for wordly wise lesson 10 fourth grade wordly wise lesson 4 fourth grade gameshow quiz by

rachchrestman wordly wise lesson 11 quiz by tinatravers g3 english wordly wise definitions wordly wise lesson 11 matching pairs by tinatravers g3 english wordly wise definitions

*school specialty eps literacy and intervention eps - Aug 09 2022*

web school specialty eps literacy and intervention eps

**wordly wise book 4 lessons 1 10 flashcards quizlet** - Jan 14 2023

web n a feeling of doubt uncertainty or concern about what may happen in the future parch v to make or become very dry lacking water thirsty prospect n something that is waited for expected or hoped for v to look in the ground for

**wordly wise sample lessons and other resources** - Feb 15 2023

web explore wordly wise the time tested best selling program for direct academic vocabulary instruction download sample word lists lessons tests and more free trials are available for our digital edition book k unit 1 lesson 1 sample book 1 unit 1 lesson 1 sample book 2 lessons 1 10 sample book 3 lessons 1 10 sample

wordly wise level 4 lesson 10 flashcards quizlet - Jul 20 2023

web start studying wordly wise level 4 lesson 10 learn vocabulary terms and more with flashcards games and other study tools

*wordly wise 3000 book 4 lesson 10 flashcards cram com - Dec 13 2022*

web to kill violently slain past participle the scene where saint george slays the dragon comes right at the end of the play symptom n a sign of something headaches can be a symptom of eyestrain study flashcards on wordly wise 3000 book 4 lesson 10 at cram com quickly memorize the terms phrases and much more

*wordly wise 10 lesson 4 vocabulary list vocabulary com - Mar 04 2022*

web oct 16 2013 assign activities assign learning activities including practice vocabulary jams and spelling bees to your students and monitor their progress in real time

**wordly wise book 10 teaching resources ppt** - Jul 08 2022

web created by applelicious the wordly wise 3000 vocabulary program is an excellent way to teach students new words this power point provides a fun and effective way to introduce book 4 word list 10 to your class each slide contains one word all necessary definitions and visual representations of the concepts

*wordly wise book 10 lesson 4 vocabtest com - May 06 2022*

web vocabtest com material based on words found in wordly wise book 10 lesson 4 which vocabulary test would you like to take take tests learning definitions reverse definitions vocabulary sentences reverse sentences synonym practice reverse synonyms antonyms online reverse antonyms parts of speech stress marks spelling

**the kite runner khaled hosseini google books** - May 17 2023

khaled hosseini penguin 2003 afghanistan 371 pages the unforgettable heartbreaking story of the unlikely friendship between a wealthy boy and the son of his father s servant the kite

**khaled hosseini author of the kite runner goodreads** - Jul 07 2022

goodreads author hosseini was born in kabul afghanistan in 1965 in 1970 hosseini and his family moved to iran where his father worked for the embassy of afghanistan in tehran in 1973 hosseini s family returned to kabul and hosseini s youngest brother was born in july of that year in 1976 when hosseini was 11 years old hosseini s father

**the kite runner 10th anniversary edition by khaled hosseini** - Apr 04 2022

mar 5 2013 in the kite runner khaled hosseini gives us a vivid and engaging story that reminds us how long his people have been struggling to triumph over the forces of violence forces that continue to threaten them even today the new york times book review a beautiful novel

*the kite runner khaled hosseini google books* - Feb 14 2023

mar 1 2017 the kite runner khaled hosseini bloomsbury publishing mar 1 2017 performing arts 104 pages i became what i am today at the age of twelve i remember the precise moment crouching behind

**the kite runner khaled hosseini fiyat satın al d r** - Jan 13 2023

the kite runner kitap açıklaması the number one bestseller devastating daily telegraph heartbreaking the times unforgettable isabel allende haunting independent afghanistan 1975 twelve year old amir is desperate to win the local kite fighting tournament and his loyal friend hassan promises to help him

**the kite runner by khaled hosseini books on google play** - Dec 12 2022

the kite runner by khaled hosseini is an intense tale that portrays the struggle of modern day afghanistan in a brilliant way the author helps the reader really engage by focusing a lot on the internal struggle of the narrator and the external struggle of his family and culture

**the kite runner hosseini khaled amazon com tr kitap** - Apr 16 2023

the kite runner is a book that instantly demands the attention of the reader with writing that is simply sublime kabul afghanistan a city a country torn apart by endless occupation and constant fighting

**the kite runner by khaled hosseini penguin random house** - Sep 09 2022

the 1 new york times bestselling debut novel that introduced khaled hosseini to millions of readers all over the world amir and hassan are childhood friends in the alleys and orchards of kabul in the sunny days before the invasion of the soviet army *books by khaled hosseini author of the kite runner goodreads* - Jun 06 2022

1 of 5 stars 2 of 5 stars 3 of 5 stars 4 of 5 stars 5 of 5 stars the kite runner a portrait of the epic film newmarket pictorial moviebooks by david benioff khaled hosseini goodreads author introduction 4 65 avg rating 21 410 ratings published 2008

*the kite runner kindle edition by hosseini khaled literature* - Nov 11 2022

apr 27 2004 the kite runner kindle edition by hosseini khaled download it once and read it on your kindle device pc phones or tablets use features like bookmarks note taking and highlighting while reading the kite runner

*the kite runner by khaled hosseini plot summary litcharts* - Jul 19 2023

in the winter there is a big kite fighting tournament where boys try to cut each other s kites with glass covered strings and then kite runners chase after the fallen kites amir wins the tournament and then hassan goes to retrieve the losing kite

[the kite runner by khaled hosseini book review thoughtco](#) - May 05 2022

jul 27 2018 on one level the kite runner by khaled hosseini is the story of two boys in afghanistan and afghan immigrants in america it is a story set in a culture that has become of increasing interest to americans since the september 11 2001 attacks it also explores the history of the rise of the taliban in afghanistan

*the kite runner khaled hosseini* - Mar 15 2023

the unforgettable heartbreaking story of the unlikely friendship between a wealthy boy and the son of his father s servant the kite runner is a beautifully crafted novel set in a country that is in the process of being destroyed

**the kite runner wikipedia** - Sep 21 2023

the kite runner is the first novel by afghan american author khaled hosseini published in 2003 by riverhead books it tells the story of amir a young boy from the wazir akbar khan district of kabul

**the kite runner by khaled hosseini 9781594631931 penguin** - Jun 18 2023

in the kite runner khaled hosseini gives us a vivid and engaging story that reminds us how long his people have been struggling to triumph over the forces of violence forces that continue to threaten them even today the new york times book review

**home khaled hosseini** - Oct 10 2022

khaled hosseini was born in kabul afghanistan and moved to the united states in 1980 he is the author of the new york times bestsellers the kite runner a thousand splendid suns and and the mountains echoed hosseini is also a u s goodwill envoy to the unhcr the un refugee agency and the founder of the khaled hosseini foundation a

[the kite runner by khaled hosseini goodreads](#) - Aug 20 2023

may 29 2003 1970s afghanistan twelve year old amir is desperate to win the local kite fighting tournament and his loyal friend hassan promises to help him but neither of the boys can foresee what would happen to hassan that afternoon an event that is to shatter their lives

**the kite runner by khaled hosseini waterstones** - Feb 02 2022

aug 23 2018 afghan american author khaled hosseini established his career with the phenomenally successful debut novel

the kite runner this along with the novels a thousand splendid suns and and the mountains echoed have been published in over 70 countries and sold over 40 million copies worldwide

[loading interface goodreads](#) - Aug 08 2022

discover and share books you love on goodreads

**10 fascinating facts about khaled hosseini s the kite runner** - Mar 03 2022

may 8 2023 the kite runner is set in afghanistan against a backdrop of the country s tumultuous history from the fall of the monarchy to the rise of the taliban the book published in 2003 became a new

**west s pulmonary pathophysiology lww** - Dec 07 2022

web west s pulmonary pathophysiology the essentials edition 10 read reviews author s john b west md phd dsc andrew m luks md isbn issn 9781975152819 publication date may 25 2021 vitalsource interactive ebook 59 99 paperback book 59 99 selected as a doody s core title for 2022 and 2023

*the role of exercise as a treatment and preventive strategy during* - Feb 26 2022

web and acute respiratory distress syndrome in more severe cases however the virus affects many organ systems such as the cardiovascular and urinary system like other infectious diseases characteristics of the virus virulence viral load to exposed infectivity and general health condition of the host determine disease progression

**the reflex effects on the respiratory regulation of the co** - Dec 27 2021

web oct 10 2007 a biphasic response occurred against 30 co 2 first the respiration frequency and volume reduced and after 2 to 10 respiratory cycles the tidal volume was restored to its control level although the respiratory frequency remained lower

*west s respiratory physiology lww* - Aug 15 2023

web for more than 40 years west s respiratory physiology the essentials has remained a critical resource for medical and allied health students learning the basics of respiratory physiology as well as an effective quick review for residents and fellows in pulmonary medicine critical care anesthesiology and internal medicine as they prepare

*west s respiratory physiology the essentials eleventh edition* - Jun 13 2023

web the eleventh edition incorporates updates in many areas including blood tissue gas exchange mechanics control of ventilation and the respiratory system under stress all designed to aid clear understanding of pulmonary physiology

**west s respiratory physiology the essentials paperback** - Jul 02 2022

web the 10th edition of west s respiratory physiology the essentials retains its outstanding qualities while also looking to the future of the field with the addition of dr andrew luks as co author

[respiratory physiology the essentials john burnard west](#) - Oct 05 2022

web john burnard west lippincott williams wilkins 2008 medical 186 pages widely considered the gold standard textbook for respiratory physiology this compact concise and easy to read text is now in its fully updated eighth edition

**physiology of exercise and its importance during covid 19** - Mar 30 2022

web sep 26 2022 physical activity is important in the prevention and treatment of coronavirus disease 2019 covid 19 there is a strong relationship between increased physical activity and improved general health during covid 19 pandemic moderate aerobic exercises may be more beneficial than the exhausting exercises due to the post covid 19 syndromes

**west s respiratory physiology google books** - Apr 11 2023

web sep 10 2020 for more than 40 years west s respiratory physiology the essentials has remained a critical resource for medical and allied health students learning the basics of respiratory physiology as

**ymj yonsei medical journal** - Jan 28 2022

web yelmen n et al yonsei med j 2007 oct 48 5 856 864 doi org 10 3349 ymj 2007 48 5 856

*west s respiratory physiology the essentials amazon com* - Jul 14 2023

web oct 29 2015 in stock west s respiratory physiology the essentials is the gold standard text for learning respiratory physiology quickly and easily this highly readable must have text serves as an introduction to students and

*respiratory physiology the essentials amazon com* - Sep 04 2022

web jan 1 2011 west s respiratory physiology lippincott connect 58 65 82 in stock widely considered the gold standard for the teaching and learning of respiratory physiology this fully updated ninth edition includes key points for each chapter and multiple choice review questions and answers with full explanations

lectures in respiratory physiology by dr john b west m d - Apr 30 2022

web lectures in respiratory physiology all movies will open into a new window structure and function of the lung duration 41 52 ventilation duration 35 25 blood gas transport duration 41 55 acid base balance duration 49 53 diffusion duration 49 28 pulmonary blood flow duration 52 04 pulmonary gas exchange i duration 61 56

respiratory physiology the essentials west john b john - Jun 01 2022

web english includes bibliographical references p 182 185 and index structure and function ventilation diffusion blood flow and metabolism ventilation perfusion relationships gas transport to the periphery mechanics of breathing control of ventilation respiratory system under stress tests of pulmonary function

**west s respiratory physiology by john b west wolters kluwer** - Mar 10 2023

web oct 7 2020 west s respiratory physiology eleventh edition international edition by john b west and andrew m luks imprint lww sales date 2020 10 07

west s respiratory physiology the essentials paperback - Aug 03 2022

web oct 29 2015 west s respiratory physiology the essentials is the gold standard text for learning respiratory physiology quickly and easily this highly readable must have text serves as an introduction to students and a review for licensing and other exams

*west s respiratory physiology 11th edition nobel kitavevi* - Jan 08 2023

web the eleventh edition incorporates updates in many areas including blood tissue gas exchange mechanics control of ventilation and the respiratory system under stress all designed to aid clear understanding of pulmonary physiology

**west s respiratory physiology lippincott connect** - Nov 06 2022

web oct 7 2020 the eleventh edition incorporates updates in many areas including blood tissue gas exchange mechanics control of ventilation and the respiratory system under stress all designed to aid clear understanding of pulmonary physiology

**west s respiratory physiology the essentials 11e medical** - May 12 2023

web dedication preface animations chapter 1 structure and function how the architecture of the lung subserves its function p1 14 chapter 2 ventilation how gas gets to the alveoli p15 30 chapter 3 diffusion how gas gets across the blood gas barrier p31 44

**west s respiratory physiology the essentials tenth edition** - Feb 09 2023

web west s respiratory physiology the essentials is the gold standard text for learning respiratory physiology quickly and easily this highly readable must have text serves as an introduction to students and a review for licensing and other exams