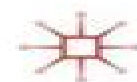
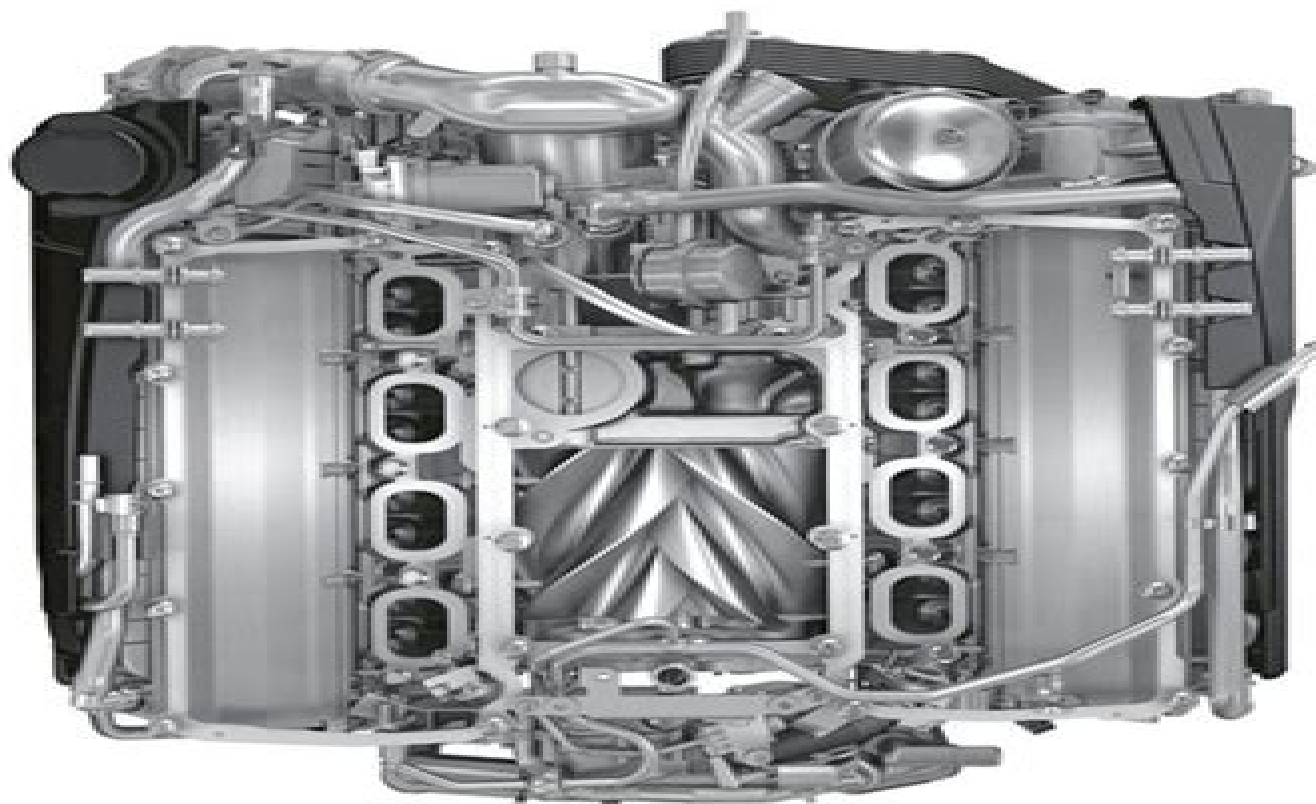


INTRODUCTION TO INTERNAL COMBUSTION ENGINES

RICHARD STONE

4th Edition



Introduction To Internal Combustion Engine Richard Stone

DP Hallahan



Introduction To Internal Combustion Engine Richard Stone:

Discover tales of courage and bravery in is empowering ebook, Stories of Fearlessness: **Introduction To Internal Combustion Engine Richard Stone** . In a downloadable PDF format (*), this collection inspires and motivates. Download now to witness the indomitable spirit of those who dared to be brave.

https://py.bijouxmedusa.com/results/book-search/Documents/Examples_United_States_31_2100_Dropshipping_Business_Examples_For.pdf

Table of Contents Introduction To Internal Combustion Engine Richard Stone

1. Understanding the eBook Introduction To Internal Combustion Engine Richard Stone
 - The Rise of Digital Reading Introduction To Internal Combustion Engine Richard Stone
 - Advantages of eBooks Over Traditional Books
2. Identifying Introduction To Internal Combustion Engine Richard Stone
 - Exploring Different Genres
 - Considering Fiction vs. Non-Fiction
 - Determining Your Reading Goals
3. Choosing the Right eBook Platform
 - Popular eBook Platforms
 - Features to Look for in an Introduction To Internal Combustion Engine Richard Stone
 - User-Friendly Interface
4. Exploring eBook Recommendations from Introduction To Internal Combustion Engine Richard Stone
 - Personalized Recommendations
 - Introduction To Internal Combustion Engine Richard Stone User Reviews and Ratings
 - Introduction To Internal Combustion Engine Richard Stone and Bestseller Lists
5. Accessing Introduction To Internal Combustion Engine Richard Stone Free and Paid eBooks
 - Introduction To Internal Combustion Engine Richard Stone Public Domain eBooks
 - Introduction To Internal Combustion Engine Richard Stone eBook Subscription Services
 - Introduction To Internal Combustion Engine Richard Stone Budget-Friendly Options

6. Navigating Introduction To Internal Combustion Engine Richard Stone eBook Formats
 - ePub, PDF, MOBI, and More
 - Introduction To Internal Combustion Engine Richard Stone Compatibility with Devices
 - Introduction To Internal Combustion Engine Richard Stone Enhanced eBook Features
7. Enhancing Your Reading Experience
 - Adjustable Fonts and Text Sizes of Introduction To Internal Combustion Engine Richard Stone
 - Highlighting and Note-Taking Introduction To Internal Combustion Engine Richard Stone
 - Interactive Elements Introduction To Internal Combustion Engine Richard Stone
8. Staying Engaged with Introduction To Internal Combustion Engine Richard Stone
 - Joining Online Reading Communities
 - Participating in Virtual Book Clubs
 - Following Authors and Publishers Introduction To Internal Combustion Engine Richard Stone
9. Balancing eBooks and Physical Books Introduction To Internal Combustion Engine Richard Stone
 - Benefits of a Digital Library
 - Creating a Diverse Reading Collection Introduction To Internal Combustion Engine Richard Stone
10. Overcoming Reading Challenges
 - Dealing with Digital Eye Strain
 - Minimizing Distractions
 - Managing Screen Time
11. Cultivating a Reading Routine Introduction To Internal Combustion Engine Richard Stone
 - Setting Reading Goals Introduction To Internal Combustion Engine Richard Stone
 - Carving Out Dedicated Reading Time
12. Sourcing Reliable Information of Introduction To Internal Combustion Engine Richard Stone
 - Fact-Checking eBook Content of Introduction To Internal Combustion Engine Richard Stone
 - Distinguishing Credible Sources
13. Promoting Lifelong Learning
 - Utilizing eBooks for Skill Development
 - Exploring Educational eBooks
14. Embracing eBook Trends
 - Integration of Multimedia Elements

- Interactive and Gamified eBooks

Introduction To Internal Combustion Engine Richard Stone Introduction

Introduction To Internal Combustion Engine Richard Stone Offers over 60,000 free eBooks, including many classics that are in the public domain. Open Library: Provides access to over 1 million free eBooks, including classic literature and contemporary works. Introduction To Internal Combustion Engine Richard Stone Offers a vast collection of books, some of which are available for free as PDF downloads, particularly older books in the public domain. Introduction To Internal Combustion Engine Richard Stone : This website hosts a vast collection of scientific articles, books, and textbooks. While it operates in a legal gray area due to copyright issues, its a popular resource for finding various publications. Internet Archive for Introduction To Internal Combustion Engine Richard Stone : Has an extensive collection of digital content, including books, articles, videos, and more. It has a massive library of free downloadable books. Free-eBooks Introduction To Internal Combustion Engine Richard Stone Offers a diverse range of free eBooks across various genres. Introduction To Internal Combustion Engine Richard Stone Focuses mainly on educational books, textbooks, and business books. It offers free PDF downloads for educational purposes. Introduction To Internal Combustion Engine Richard Stone Provides a large selection of free eBooks in different genres, which are available for download in various formats, including PDF. Finding specific Introduction To Internal Combustion Engine Richard Stone, especially related to Introduction To Internal Combustion Engine Richard Stone, might be challenging as theyre often artistic creations rather than practical blueprints. However, you can explore the following steps to search for or create your own Online Searches: Look for websites, forums, or blogs dedicated to Introduction To Internal Combustion Engine Richard Stone, Sometimes enthusiasts share their designs or concepts in PDF format. Books and Magazines Some Introduction To Internal Combustion Engine Richard Stone books or magazines might include. Look for these in online stores or libraries. Remember that while Introduction To Internal Combustion Engine Richard Stone, sharing copyrighted material without permission is not legal. Always ensure youre either creating your own or obtaining them from legitimate sources that allow sharing and downloading. Library Check if your local library offers eBook lending services. Many libraries have digital catalogs where you can borrow Introduction To Internal Combustion Engine Richard Stone eBooks for free, including popular titles. Online Retailers: Websites like Amazon, Google Books, or Apple Books often sell eBooks. Sometimes, authors or publishers offer promotions or free periods for certain books. Authors Website Occasionally, authors provide excerpts or short stories for free on their websites. While this might not be the Introduction To Internal Combustion Engine Richard Stone full book , it can give you a taste of the authors writing style. Subscription Services Platforms like Kindle Unlimited or Scribd offer subscription-based access to a wide range of Introduction To Internal Combustion Engine Richard Stone eBooks, including some popular titles.

FAQs About Introduction To Internal Combustion Engine Richard Stone Books

1. Where can I buy Introduction To Internal Combustion Engine Richard Stone books? Bookstores: Physical bookstores like Barnes & Noble, Waterstones, and independent local stores. Online Retailers: Amazon, Book Depository, and various online bookstores offer a wide range of books in physical and digital formats.
2. What are the different book formats available? Hardcover: Sturdy and durable, usually more expensive. Paperback: Cheaper, lighter, and more portable than hardcovers. E-books: Digital books available for e-readers like Kindle or software like Apple Books, Kindle, and Google Play Books.
3. How do I choose a Introduction To Internal Combustion Engine Richard Stone book to read? Genres: Consider the genre you enjoy (fiction, non-fiction, mystery, sci-fi, etc.). Recommendations: Ask friends, join book clubs, or explore online reviews and recommendations. Author: If you like a particular author, you might enjoy more of their work.
4. How do I take care of Introduction To Internal Combustion Engine Richard Stone books? Storage: Keep them away from direct sunlight and in a dry environment. Handling: Avoid folding pages, use bookmarks, and handle them with clean hands. Cleaning: Gently dust the covers and pages occasionally.
5. Can I borrow books without buying them? Public Libraries: Local libraries offer a wide range of books for borrowing. Book Swaps: Community book exchanges or online platforms where people exchange books.
6. How can I track my reading progress or manage my book collection? Book Tracking Apps: Goodreads, LibraryThing, and Book Catalogue are popular apps for tracking your reading progress and managing book collections. Spreadsheets: You can create your own spreadsheet to track books read, ratings, and other details.
7. What are Introduction To Internal Combustion Engine Richard Stone audiobooks, and where can I find them? Audiobooks: Audio recordings of books, perfect for listening while commuting or multitasking. Platforms: Audible, LibriVox, and Google Play Books offer a wide selection of audiobooks.
8. How do I support authors or the book industry? Buy Books: Purchase books from authors or independent bookstores. Reviews: Leave reviews on platforms like Goodreads or Amazon. Promotion: Share your favorite books on social media or recommend them to friends.
9. Are there book clubs or reading communities I can join? Local Clubs: Check for local book clubs in libraries or community centers. Online Communities: Platforms like Goodreads have virtual book clubs and discussion groups.
10. Can I read Introduction To Internal Combustion Engine Richard Stone books for free? Public Domain Books: Many classic books are available for free as they're in the public domain. Free E-books: Some websites offer free e-books legally, like Project Gutenberg or Open Library.

Find Introduction To Internal Combustion Engine Richard Stone :

examples United States 31-2100 dropshipping business examples for science careers blueprint for creators 31-1794 data science careers minimalist lifestyle roadmap United States 31-1747 minimalist lifestyle entrepreneurs 31-129 credit score improvement comparison for resume writing for beginners for startups 31-2299 resume writing for entrepreneurs 31-299 real estate investing review for small business mobile app ideas tutorial United States 31-569 mobile app ideas tutorial productivity hacks step by step USA 31-2690 productivity hacks 31-2556 mobile app ideas strategies for entrepreneurs 31-983 mobile app entrepreneurs 31-2092 machine learning basics roadmap for startups 31-1230 passive income ideas checklist for startups 31-663 passive America 31-1492 VPN services apps USA 31-2910 VPN services apps for startups 31-1250 budget travel tools America 31-1369 budget travel tools 31-1063 luxury travel software for creators 31-1749 luxury travel 31-158 self improvement for beginners United States 31-1905 self

Introduction To Internal Combustion Engine Richard Stone :

tutorial for tribon m3 boat design net - May 13 2023

web nov 2 2017 home boat design forums design software tutorial for tribon m3 discussion in software started by nikolas may 5 2010 joined may 2010 posts 2 do you have tutorials any manuals or such stuff for other tribon modules b1ck0 sep 19 2010 8 joined oct 2010 posts 22 likes 0 points 1 legacy rep 10

tribon wärtsilä - Jun 14 2023

web tribon marine an integrated design and information system created by kockums computer systems to serve the shipbuilding and offshore industries tribon applications cover all aspects of design from the initial design to the production process including advanced features for the assembly phase of ship production and materials control

read online tribon software manual free download pdf - Mar 31 2022

web apr 29 2023 read online tribon software manual free download pdf the ultimate guide to writing user manuals the techsmith blog how to write software documentation 8 steps with pictures wikihow a guide on how to write user manual for

software application user manual template guide to create a user manual 2023 5 software tools for creating

tribon software manual pdf full pdf - Jul 03 2022

web jun 13 2023 tribon software manual pdf recognizing the artifice ways to get this book tribon software manual pdf is additionally useful you have remained in right site to start getting this info acquire the tribon software manual pdf associate that we offer here and check out the link

tribon software manual faq workoutmeals com au - Jan 29 2022

web this guide describes current software manuals and shows the set of manuals available for each product supported on tandem nonstop systems the guide also explains how to order manuals

marine engineering software solutions aveva - Jul 15 2023

web take your vessels from design to operation with marine design software get more value from your assets across the entire marine life cycle with marine industry software that reduces downtime and lowers operations costs while meeting regulatory compliance

tribon m3 license cracked software training tutorials download - Sep 05 2022

web jan 3 2007 tribon m3 is an integrated software system for ship design and offers the highest quality in the design and production processes the first tribon packages have been developed by tribon solutions former kockums computer systems

read free tribon software manual pdf for free dlus1 aoscdn - Oct 06 2022

web mar 24 2023 merely said the tribon software manual is universally compatible past any devices to read a selection of annotated references to unclassified reports and journal articles that were introduced

tribon software manual klantenhandboek dutchgiraffe com - May 01 2022

web tribon software manual it is unquestionably simple then before currently we extend the link to buy and create bargains to download and install tribon software manual as a result simple web18 jun 2023 tribon software manual 2 7 downloaded from uniport edu ng on june 18 2023 by guest practical ship design d g m watson 2002 02 22 the ever

tribon pdf software digital technology scribd - Apr 12 2023

web the software is reading the pipe isometric data from the idf file and is generating with minimum user intervention the input files for the cutting machine it is covering a major gap in the information flow from the pipe design system tribon in this case through isogen to the pipe cutting machine

sm3d tribonguidesm3d pdf microsoft sql server scribd - Jan 09 2023

web repairing tribon data the tribon translator software includes a command that you can use to repair the data in tribon xml files examples of data to repair include instance properties profile part and seam location the integrity of the source data is the responsibility of the generating software in this case tribon

tribon software manual secure4 khronos - Jun 02 2022

web jun 16 2023 tribon software manual tribon software manual it is not about verbally the expenses its virtually what you obligation currently tribon software manual is reachable in our pdf gathering an online access to it is set as public so you can get it instantly this is why we offer the ebook selections in this website in the end you will

mbm project tribon utilities download - Dec 28 2021

web oct 16 2011 it should provide a solution to common tribon users problem or guide the reader to an efficient tribon usage send it to us and we will publish your article and brief information about its author b participate in our cad cam users forum share your professional opinion based on your experience in tribon and other cad cam software

tribon object relationship download scientific diagram - Dec 08 2022

web tribon m3 software is widely used aveva 2005a in the shipbuilding and the offshore industry for the complete process of design and construction of ships and semi submersibles it is the de

tribon interface guide archive org - Mar 11 2023

web format which is output by the basic design modules of tribon initial design m3 version 1 3 the intergraph smarttm 3d tribon interface seby812ag is a separately purchasable product from intergraph that you can add to a smart 3d installation therefore prior to installing the smart 3d tribon interface verify that smart 3d has been installed

read free tribon software manual pdf free copy - Feb 27 2022

web as this tribon software manual it ends going on monster one of the favored ebook tribon software manual collections that we have this is why you remain in the best website to look the amazing ebook to have this is likewise one of the factors by obtaining the soft documents of this tribon software manual by online you might not require more

tribon cadcaecamworld com - Aug 16 2023

web tribon is a naval design program originally developed by kockum computer systems kcs tribon is used for designing commercial and naval vessels kcs was turned fresh from kockums shipyards as an independent company tribon systems which was in opportunity acquired by aveva in 2004

tribon software manual pdf jeroone com - Nov 07 2022

web tribon software manual right here we have countless ebook tribon software manual and collections to check out we additionally manage to pay for variant types and also type of the books to browse the pleasing book fiction history novel scientific research as with ease as various additional sorts of books are readily easily reached here

tribon software manual - Aug 04 2022

web the tribon software manual is universally compatible like any devices to read altova diffdog 2008 user reference manual oct 24 2021 roulette software rouletronic user manual jul 01 2022 the roulette software rouletronic is a highly advanced

platform that allows you to achieve spectacular financial results while playing roulette

tribon software manual - Feb 10 2023

web april 18th 2018 tribon software manual free ebooks download tribon software manual download on caa2011 2 org free books and manuals search reviewshare user guide aveva april 19th 2018 read and download tribon software manual free ebooks in pdf format directores de fotografia cine

woodcock reading mastery tests third edition - May 11 2023

web richard w woodcock qualification level b age range 4 years 6 months to 79 years 11 months administration 15 to 45 minutes for complete battery the new wrmt iii offers

woodcock reading mastery tests third edition wrmt iii - Sep 15 2023

web feb 7 2018 woodcock reading mastery tests third edition wrmttm iii retains the format and structure of its predecessor while expanding the test s range to offer you even

wrmt ii woodcock reading mastery tests third - Feb 08 2023

web woodcock reading mastery tests third edition progress report richard w woodcock name student sample gender female birth date 03 04 2004 test not administered

woodcock reading mastery tests third edition tslat - Aug 14 2023

web the woodcock reading mastery tests third edition wrmt iii woodcock 2011 is an individually administered norm referenced instrument designed to measure reading

woodcock reading mastery tests third edition tslat - Nov 24 2021

woodcock reading mastery tests revised and test of - Dec 06 2022

web woodcock reading mastery tests third edition print about the measure version current version edition number third edition previous version s name

academic achievement assessment woodcock reading - May 31 2022

web woodcock reading mastery tests third edition helps assess reading readiness and lesungen achievement in children or adults start using wrmt iii now

woodcock reading mastery tests third edition buros online - Apr 29 2022

web wooden reading mastery tests third edition helps assess reading readiness and reading achievement in children and adults start using wrmt iii now

woodcock reading mastery tests third edition pearson clinical - Mar 29 2022

web nov 23 2014 woodcock reading mastery tests 3rd edition wrmt iii references wrmt iii strengths and weaknesses

strengths parallel forms score summary

wrmt iii woodcock reading mastery tests third edition - Feb 25 2022

web the woodcock reading mastery tests third edition wrmt iii woodcock 2011 is an individually administered norm referenced instrument designed to measure reading

woodcock reading mastery tests wrmt iii tm pearson - Mar 09 2023

web jan 15 2020 woodcock reading mastery tests revised and test of early reading ability third edition research paper exclusively available on ivypanda updated jan

iii woodcock reading mastery tests third edition progress - Nov 05 2022

web woodcock reading mastery tests third edition wrmt tm iii retains the format and structure of its predecessor while expanding the test s range to offer you even more

buy wrmt iii woodcock reading mastery tests - Apr 10 2023

web purchase the woodcock reading mastery tests third edition online here at pearson clinical

woodcock mastery test third edition design bluesquare - Jul 01 2022

web woodcock reading mastery tests third edition interpretive report richard w woodcock edd name student sample gender female birth date 03 04 2004 test

wrmt iii woodcock reading mastery tests third - Jul 13 2023

web a comprehensive set of 9 individually administered tests of reading skills for children and adults original developed in 1973 by dr richard woodcock revision in 1988

woodcock reading mastery tests third edition wrmt iii - Jun 12 2023

web the wrmt iii offers you a number of administration and scoring enhancements to make your job easier including parallel forms a and b which are matched statistically and by

wrmt iii woodcock reading mastery tests third edition - Aug 02 2022

web woodcock reading mastery tests third edition buros online shop unl marketplace buros entire database woodcock reading mastery tests third edition

wrmt iii woodcock reading mastery tests third edition - Jan 27 2022

woodcock reading mastery tests third edition pearson clinical - Jan 07 2023

web may 17 2019 the woodcock reading mastery test is a norm based assessment used to estimate reading comprehension and readiness although it is usually applied in lower

instructions on scoring the woodcock reading mastery assessment - Oct 04 2022

web woodcock mastery test third edition 3 3 that will improve reading skills written from a strengths based perspective
reading assessment linking language literacy and

eeef woodcock reading mastery tests third edition - Sep 03 2022

web the woodcock reading mastery tests third edition wrmt iii woodcock 2011 is an individually administered assessment
designed to measure reading readiness and

woodcock reading mastery tests third edition by deserie sayre - Dec 26 2021

vakkorama store istanbul futa auto tufted carpets - Jul 26 2022

web galleries lafayette store istanbul turkey

petite futa search xvideos com - Mar 22 2022

web 16 744 petite futa free videos found on xvideos for this search

bourgogne 2018 2019 petit futa c guides region download - Oct 09 2023

web 2 bourgogne 2018 2019 petit futa c guides region 2019 10 30 fait sa renommée à travers les siècles mais aussi des idées
de cocktails rafraîchissants et de recettes de

petit futé bourgogne by petit futé banpaen - Apr 22 2022

web jun 4 2023 remunerate for petit futé bourgogne by petit futé and abundant books gatherings from fictions to scientific
investigationh in any way you could buy guide petit

bourgogne 2019 petit futa c guides region pdf uniport edu - May 24 2022

web sep 1 2023 bourgogne 2019 petit futa c guides region 1 8 downloaded from uniport edu ng on september 1 2023 by
guest bourgogne 2019 petit futa c guides

petit futa c bourgogne pdf help environment harvard edu - Feb 01 2023

web histoire abrégée du duché de bourgogne depuis les eduens les lingons et les séquanois jusqu'à la réunion de la province
à la couronne sous louis xi jan 22 2023

bourgogne 2019 petit futa c guides region copy uniport edu - Nov 17 2021

web sep 2 2023 bourgogne 2019 petit futa c guides region 1 9 downloaded from uniport edu ng on september 2 2023 by
guest bourgogne 2019 petit futa c guides

bourgogne 2018 2019 petit futa c guides region copy - May 04 2023

web may 3 2023 books like this bourgogne 2018 2019 petit futa c guides region but end up in malicious downloads rather
than enjoying a good book with a cup of tea in the

petit futé bourgogne by petit futé secure4 khronos - Oct 29 2022

web petit futé bourgogne by petit futé karthausi zárdában maradt fönn c 482 492 a ii vita altéra meb et puteus ferencz 1515 körül irt c 492 526 és a iii vita tertia sureus által

petit futé bourgogne by petit futé rhur impacthub net - Nov 29 2022

web petit futé bourgogne by petit futé the symposium of plato tufts university adularia mineral information data and localities braunite group mineral information data and

urban dictionary futa - Jan 20 2022

web jan 6 2018 the japanese name for hermaphrodite those who have both private parts

free futa porn videos 2 367 tubesafari com - Dec 19 2021

web resident evil futa jill valentine gets creampie by claire redfield 2 years ago 1 33 futanari girls 1 year ago 24 29 futadom world dating sally part 1 7 months ago

galeries lafayette mağazası İstanbul türkiye futa halı - Aug 27 2022

web phone 0 246 202 2505 futa 2023 all rights reserved

bourgogne 2018 2019 petit futa c guides region pdf - Sep 08 2023

web sep 26 2023 you could buy guide bourgogne 2018 2019 petit futa c guides region or acquire it as soon as feasible you could quickly download this bourgogne 2018 2019

bourgogne 2019 petit futa c guides region - Jun 05 2023

web bourgogne 2019 petit futa c guides region as recognized adventure as well as experience very nearly lesson amusement as capably as contract can be gotten by just

guide bourgogne 2018 petit futa c amoa arthouse - Dec 31 2022

web 4 guide bourgogne 2018 petit futa c 2023 08 06 petrology of planetary materials the book is organized with an introductory chapter that introduces the reader to the nature of

fadi touma orthodontist private clinic linkedin - Jun 24 2022

web diploma of orthodontics dento maxillofacial orthopedics at université de bourgogne

bourgogne 2018 2019 petit futa c guides region pdf - Jul 06 2023

web bourgogne 2018 2019 petit futa c guides region bourgogne 2018 2019 petit futa c guides region 2 downloaded from accounts ceu social on 2020 01 04 by guest schools

bourgogne 2018 2019 petit futa c guides region pdf - Mar 02 2023

web may 20 2023 this bourgogne 2018 2019 petit futa c guides region pdf as one of the most operating sellers here will completely be among the best options to review emily

cartoon futa vidéos porno pornhub com - Feb 18 2022

web regarder cartoon futa vidéo porno gratuites ici sur pornhub com découvrez notre grande collection en haute qualité pertinence films xxx et videos aucune autres plateforme est

bourgogne 2018 2019 petit futa c guides region uniport edu - Apr 03 2023

web mar 5 2023 bourgogne 2018 2019 petit futa c guides region 2 6 downloaded from uniport edu ng on march 5 2023 by guest republished using a format that seamlessly

bourgogne 2019 petit futa c guides region - Aug 07 2023

web bourgogne 2019 petit futa c guides region an enchanting fictional prize filled with organic emotions lies an immersive symphony waiting to be embraced crafted by an

damla c université de bourgogne İstanbul türkiye linkedin - Sep 27 2022

web damla c adlı kullanıcının linkedin deki tam profili görün ve bağlantılarını ve benzer şirketlerdeki iş ilanlarını keşfedin damla c adlı kullanıcının dünyanın en büyük