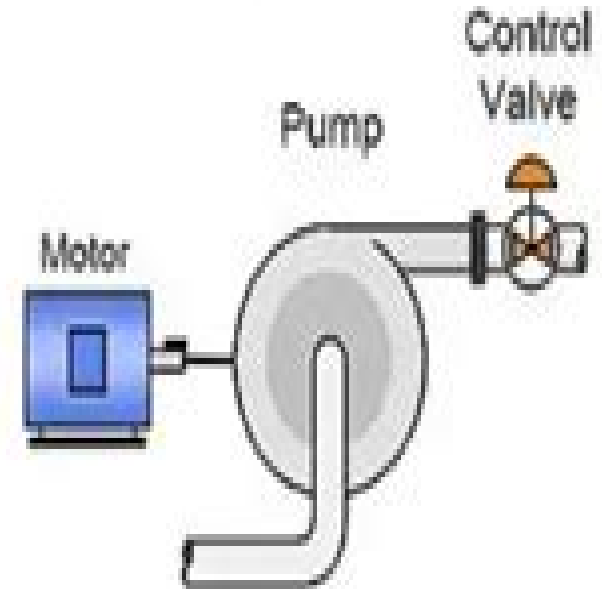
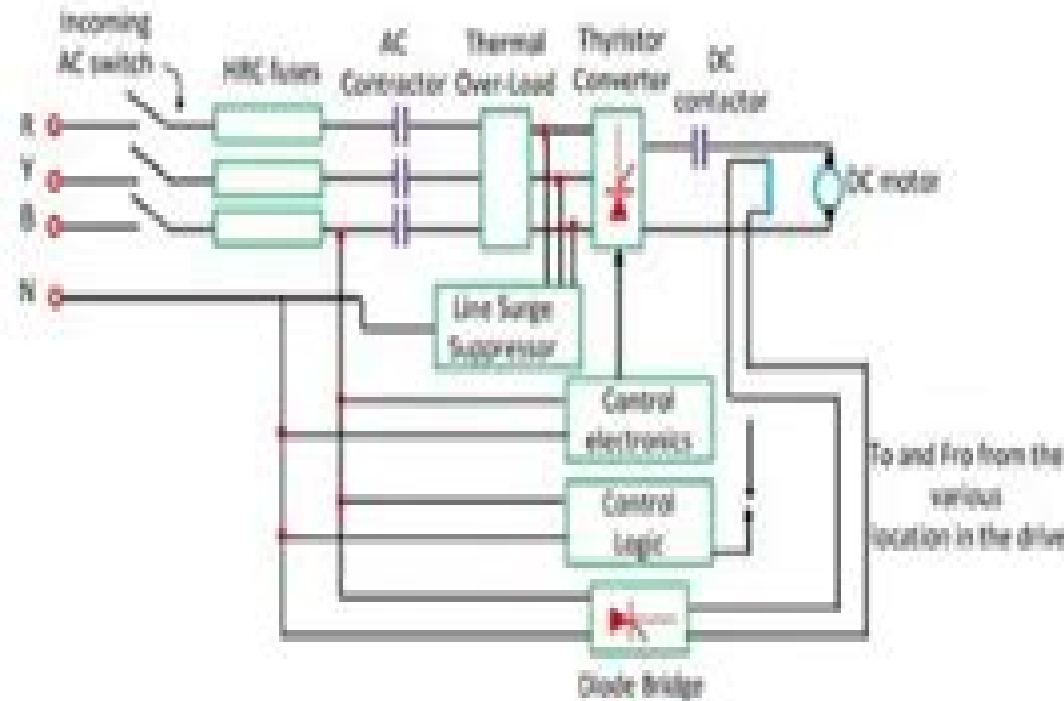
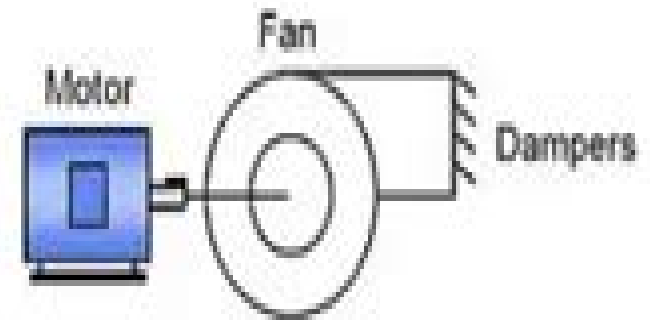


# How Electrical Drives Are Controlled



**Electrical 4 U**

# Basic Electrical Drives And Control

**Ying-Ying Zheng**



## **Basic Electrical Drives And Control:**

**Electrical Machine Drives Control** Juha Pyrhonen,Valeria Hrabovcova,R. Scott Semken,2016-10-03 This comprehensive text examines existing and emerging electrical drive technologies The authors clearly define the most basic electrical drive concepts and go on to explain the most important details while maintaining a solid connection to the theory and design of the associated electrical machines Also including links to a number of industrial applications the authors take their investigation of electrical drives beyond theory to examine a number of practical aspects of electrical drive control and application Key features Provides a comprehensive summary of all aspects of controlled speed electrical drive technology including control and operation Handling of electrical drives is solidly linked to the theory and design of the associated electrical machines Added insight into problems and functions are illustrated with clearly understandable figures Offers an understanding of the main phenomena associated with electrical machine drives Considers the problem of bearing currents and voltage stresses of an electrical drive Includes up to date theory and design guidelines taking into account the most recent advances This book s rigorous coverage of theoretical principles and techniques makes for an excellent introduction to controlled speed electrical drive technologies for Electrical Engineering MSc or PhD students studying electrical drives It also serves as an excellent reference for practicing electrical engineers looking to carry out design analyses and development of controlled speed electrical drives

**Electrical Machine Drives Control** Juha Pyrhonen,Valeria Hrabovcova,R. Scott Semken,2016-11-14 This comprehensive text examines existing and emerging electrical drive technologies The authors clearly define the most basic electrical drive concepts and go on to explain the most important details while maintaining a solid connection to the theory and design of the associated electrical machines Also including links to a number of industrial applications the authors take their investigation of electrical drives beyond theory to examine a number of practical aspects of electrical drive control and application Key features Provides a comprehensive summary of all aspects of controlled speed electrical drive technology including control and operation Handling of electrical drives is solidly linked to the theory and design of the associated electrical machines Added insight into problems and functions are illustrated with clearly understandable figures Offers an understanding of the main phenomena associated with electrical machine drives Considers the problem of bearing currents and voltage stresses of an electrical drive Includes up to date theory and design guidelines taking into account the most recent advances This book s rigorous coverage of theoretical principles and techniques makes for an excellent introduction to controlled speed electrical drive technologies for Electrical Engineering MSc or PhD students studying electrical drives It also serves as an excellent reference for practicing electrical engineers looking to carry out design analyses and development of controlled speed electrical drives

**Process Control** Béla G. Lipták,2013-10-02 Instrument Engineers Handbook Third Edition Process Control provides information pertinent to control hardware including transmitters controllers control valves displays and computer systems This book presents the control theory and shows how

the unit processes of distillation and chemical reaction should be controlled Organized into eight chapters this edition begins with an overview of the method needed for the state of the art practice of process control This text then examines the relative merits of digital and analog displays and computers Other chapters consider the basic industrial annunciators and other alarm systems which consist of multiple individual alarm points that are connected to a trouble contact a logic module and a visual indicator This book discusses as well the data loggers available for process control applications The final chapter deals with the various pump control systems the features and designs of variable speed drives and the metering pumps This book is a valuable resource for engineers

**Applied Control of Electrical Drives** Duco W. J. Pulle, Pete Darnell, André Veltman, 2015-09-17 Provides an overall understanding of all aspects of AC electrical drives from the motor and converter to the implemented control algorithm with minimum mathematics needed Demonstrates how to implement and debug electrical drive systems using a set of dedicated hardware platforms motor setup and software tools in VisSim™ and PLECS™ No expert programming skills required allowing the reader to concentrate on drive development Enables the reader to undertake real time control of a safe low voltage and low cost experimental drive This book puts the fundamental and advanced concepts behind electric drives into practice Avoiding involved mathematics whenever practical this book shows the reader how to implement a range of modern day electrical drive concepts without requiring in depth programming skills It allows the user to build and run a series of AC drive concepts ranging from very basic drives to sophisticated sensorless drives Hence the book is the only modern resource available that bridges the gap between simulation and the actual experimental environment Engineers who need to implement an electrical drive or transition from sensed to sensorless drives as well as students who need to understand the practical aspects of working with electrical drives will greatly benefit from this unique reference

**Control of Electrical Drives** Werner Leonhard, 2012-12-06 Electrical drives play an important part as electromechanical energy converters in transportation materials handling and most production processes This book presents a unified treatment of complete electrical drive systems including the mechanical parts electrical machines and power converters and control Since it was first published in 1985 the book has found its way onto many desks in industry and universities all over the world For the second edition the text has been thoroughly revised and updated with the aim of offering the reader a general view of the field of controlled electrical drives which are maintaining and extending their importance as the most flexible source of controlled mechanical energy

**Sliding Mode Control for Synchronous Electric Drives** Sergey E. Ryvkin, Eduardo Palomar Lever, 2011-11-21 This volume presents the theory of control systems with sliding mode applied to electrical motors and power converters It demonstrates the methodology of control design and the original algorithms of control and observation Practically all semiconductor devices are used in power converters that feed electrical motors as power switches A switch

**Instrument Engineers' Handbook, (Volume 2) Third Edition** Bela G. Liptak, 1995-05-15 This third edition of the Instrument Engineers Handbook most complete and respected work on process

instrumentation and control helps you     *Proceedings of the American Institute of Electrical Engineers* ,1925 Vols for 1887  
1946 include the preprint pages of the institute s Transactions     Transactions of the American Institute of Electrical  
Engineers American Institute of Electrical Engineers,1926 List of members in v 7 15 17 19 20     **Journal of the American  
Institute of Electrical Engineers** American Institute of Electrical Engineers,1925 Includes preprints of Transactions of the  
American Institute of Electrical Engineers ISSN 0096 3860     *Practical Robot Design* Jagannathan Kanniah,M. Fikret  
Ercan,Carlos A. Acosta Calderon,2013-10-17 Designed for beginners undergraduate students and robotics enthusiasts  
Practical Robot Design Game Playing Robots is a comprehensive guide to the theory design and construction of game playing  
robots Drawing on years of robot building and teaching experience the authors demonstrate the key steps of building a robot  
from beginning to end wi     Electrical Engineering ,1926 Vols for 1931 46 include the preprints of the Transactions of the  
American Institute of Electrical Engineers ISSN 0096 3860     *Machinery* Lester Gray French,1927     **Machinery** Fred  
Herbert Colvin,Lester Gray French,1926     **Fifth European Conference on Power Electronics and Applications** ,1993  
Handbook of Automation, Computation, and Control: Systems and components Eugene Munter Grabbe,1961  
Instrument Practice for Process Control and Automation ,1970-07     *Fundamentals of Electrical Drives* Gopal K.  
Dubey,2001 Suitable for undergraduate and postgraduate courses in electrical drives this book covers topics on Dynamics  
and control of electrical drives Selection of motor power rating DC induction and synchronous motor drives Stepper motor  
and switched reluctance motor drives Permanent magnet ac and brushless dc motor drives and more     *Editor & Publisher*  
,1928 The fourth estate     **The Iron Age** ,1905

Thank you utterly much for downloading **Basic Electrical Drives And Control**. Maybe you have knowledge that, people have seen numerous times for their favorite books once this Basic Electrical Drives And Control, but end occurring in harmful downloads.

Rather than enjoying a fine book similar to a cup of coffee in the afternoon, on the other hand they juggled afterward some harmful virus inside their computer. **Basic Electrical Drives And Control** is affable in our digital library an online admission to it is set as public consequently you can download it instantly. Our digital library saves in combination countries, allowing you to acquire the most less latency epoch to download any of our books taking into account this one. Merely said, the Basic Electrical Drives And Control is universally compatible considering any devices to read.

[https://py.bijouxmedusa.com/book/browse/HomePages/3\\_1855\\_coding\\_for\\_beginners\\_checklist\\_for\\_startups\\_3\\_2206\\_coding\\_for.pdf](https://py.bijouxmedusa.com/book/browse/HomePages/3_1855_coding_for_beginners_checklist_for_startups_3_2206_coding_for.pdf)

## **Table of Contents Basic Electrical Drives And Control**

1. Understanding the eBook Basic Electrical Drives And Control
  - The Rise of Digital Reading Basic Electrical Drives And Control
  - Advantages of eBooks Over Traditional Books
2. Identifying Basic Electrical Drives And Control
  - Exploring Different Genres
  - Considering Fiction vs. Non-Fiction
  - Determining Your Reading Goals
3. Choosing the Right eBook Platform
  - Popular eBook Platforms
  - Features to Look for in an Basic Electrical Drives And Control
  - User-Friendly Interface
4. Exploring eBook Recommendations from Basic Electrical Drives And Control
  - Personalized Recommendations

- Basic Electrical Drives And Control User Reviews and Ratings
- Basic Electrical Drives And Control and Bestseller Lists
- 5. Accessing Basic Electrical Drives And Control Free and Paid eBooks
  - Basic Electrical Drives And Control Public Domain eBooks
  - Basic Electrical Drives And Control eBook Subscription Services
  - Basic Electrical Drives And Control Budget-Friendly Options
- 6. Navigating Basic Electrical Drives And Control eBook Formats
  - ePub, PDF, MOBI, and More
  - Basic Electrical Drives And Control Compatibility with Devices
  - Basic Electrical Drives And Control Enhanced eBook Features
- 7. Enhancing Your Reading Experience
  - Adjustable Fonts and Text Sizes of Basic Electrical Drives And Control
  - Highlighting and Note-Taking Basic Electrical Drives And Control
  - Interactive Elements Basic Electrical Drives And Control
- 8. Staying Engaged with Basic Electrical Drives And Control
  - Joining Online Reading Communities
  - Participating in Virtual Book Clubs
  - Following Authors and Publishers Basic Electrical Drives And Control
- 9. Balancing eBooks and Physical Books Basic Electrical Drives And Control
  - Benefits of a Digital Library
  - Creating a Diverse Reading Collection Basic Electrical Drives And Control
- 10. Overcoming Reading Challenges
  - Dealing with Digital Eye Strain
  - Minimizing Distractions
  - Managing Screen Time
- 11. Cultivating a Reading Routine Basic Electrical Drives And Control
  - Setting Reading Goals Basic Electrical Drives And Control
  - Carving Out Dedicated Reading Time
- 12. Sourcing Reliable Information of Basic Electrical Drives And Control
  - Fact-Checking eBook Content of Basic Electrical Drives And Control

- Distinguishing Credible Sources
- 13. Promoting Lifelong Learning
  - Utilizing eBooks for Skill Development
  - Exploring Educational eBooks
- 14. Embracing eBook Trends
  - Integration of Multimedia Elements
  - Interactive and Gamified eBooks

### **Basic Electrical Drives And Control Introduction**

In the digital age, access to information has become easier than ever before. The ability to download Basic Electrical Drives And Control has revolutionized the way we consume written content. Whether you are a student looking for course material, an avid reader searching for your next favorite book, or a professional seeking research papers, the option to download Basic Electrical Drives And Control has opened up a world of possibilities. Downloading Basic Electrical Drives And Control provides numerous advantages over physical copies of books and documents. Firstly, it is incredibly convenient. Gone are the days of carrying around heavy textbooks or bulky folders filled with papers. With the click of a button, you can gain immediate access to valuable resources on any device. This convenience allows for efficient studying, researching, and reading on the go. Moreover, the cost-effective nature of downloading Basic Electrical Drives And Control has democratized knowledge. Traditional books and academic journals can be expensive, making it difficult for individuals with limited financial resources to access information. By offering free PDF downloads, publishers and authors are enabling a wider audience to benefit from their work. This inclusivity promotes equal opportunities for learning and personal growth. There are numerous websites and platforms where individuals can download Basic Electrical Drives And Control. These websites range from academic databases offering research papers and journals to online libraries with an expansive collection of books from various genres. Many authors and publishers also upload their work to specific websites, granting readers access to their content without any charge. These platforms not only provide access to existing literature but also serve as an excellent platform for undiscovered authors to share their work with the world. However, it is essential to be cautious while downloading Basic Electrical Drives And Control. Some websites may offer pirated or illegally obtained copies of copyrighted material. Engaging in such activities not only violates copyright laws but also undermines the efforts of authors, publishers, and researchers. To ensure ethical downloading, it is advisable to utilize reputable websites that prioritize the legal distribution of content. When downloading Basic Electrical Drives And Control, users should also consider the potential security risks associated with online platforms. Malicious actors may exploit vulnerabilities in unprotected websites to

distribute malware or steal personal information. To protect themselves, individuals should ensure their devices have reliable antivirus software installed and validate the legitimacy of the websites they are downloading from. In conclusion, the ability to download Basic Electrical Drives And Control has transformed the way we access information. With the convenience, cost-effectiveness, and accessibility it offers, free PDF downloads have become a popular choice for students, researchers, and book lovers worldwide. However, it is crucial to engage in ethical downloading practices and prioritize personal security when utilizing online platforms. By doing so, individuals can make the most of the vast array of free PDF resources available and embark on a journey of continuous learning and intellectual growth.

### **FAQs About Basic Electrical Drives And Control Books**

How do I know which eBook platform is the best for me? Finding the best eBook platform depends on your reading preferences and device compatibility. Research different platforms, read user reviews, and explore their features before making a choice. Are free eBooks of good quality? Yes, many reputable platforms offer high-quality free eBooks, including classics and public domain works. However, make sure to verify the source to ensure the eBook credibility. Can I read eBooks without an eReader? Absolutely! Most eBook platforms offer web-based readers or mobile apps that allow you to read eBooks on your computer, tablet, or smartphone. How do I avoid digital eye strain while reading eBooks? To prevent digital eye strain, take regular breaks, adjust the font size and background color, and ensure proper lighting while reading eBooks. What the advantage of interactive eBooks? Interactive eBooks incorporate multimedia elements, quizzes, and activities, enhancing the reader engagement and providing a more immersive learning experience. Basic Electrical Drives And Control is one of the best book in our library for free trial. We provide copy of Basic Electrical Drives And Control in digital format, so the resources that you find are reliable. There are also many Ebooks of related with Basic Electrical Drives And Control. Where to download Basic Electrical Drives And Control online for free? Are you looking for Basic Electrical Drives And Control PDF? This is definitely going to save you time and cash in something you should think about.

### **Find Basic Electrical Drives And Control :**

[3-1855 coding for beginners checklist for startups](#) [3-2206 coding for](#)  
**3-976 home organization comparison for entrepreneurs** **3-45 home**  
**entrepreneurs** **3-1078 SEO strategy examples for entrepreneurs** **3-1890 SEO**  
*small business* [3-1926 TikTok marketing roadmap for creators](#) [3-1612](#)

**checklist for entrepreneurs 3-2092 sustainable living checklist for productivity hacks software America 3-559 productivity hacks software America 3-2356 Instagram growth best practices America 3-633 Instagram crypto investing case study for creators 3-1616 crypto investing case United States 3-842 real estate investing trends for creators 3-322 real 3-2672 healthy recipes for beginners United States 3-1903 healthy 3-1894 dropshipping business best practices for creators 3-2377 lifestyle software for startups 3-1521 minimalist lifestyle step by step improvement roadmap for small business 3-1133 self improvement roadmap 3-2900 Instagram growth apps USA 3-1918 Instagram growth best practices 3-2360 interview tips best practices USA 3-938 interview tips blueprint**

### **Basic Electrical Drives And Control :**

how yogurt is processed ift org - Oct 28 2022

web dec 1 2015 this month s processing column on the theme of how is it processed focuses on yogurt yogurt is known for its health promoting properties this column will provide a brief overview of the history of yogurt and the current market it will also unveil both traditional and modern yogurt processing techniques yogurt s history and the market

frozen yogurt flow chart backoffice ceu social - May 23 2022

web frozen yogurt flow chart whispering the secrets of language an psychological quest through frozen yogurt flow chart in a digitally driven world wherever monitors reign supreme and immediate transmission drowns out the subtleties of language the profound secrets and psychological nuances hidden within words usually go unheard

frozen yogurt business plan template ogscapital - Apr 21 2022

web aug 21 2018 ethan has made a list in his frozen yogurt business plan outlining his required employees which is given below 1 manager to assist him in managing the overall operations of the restaurant 10 chefs for making and displaying the products 2 food technologists for tasting the flavors

**frozen yogurt business plan template updated 2023 growthink - Jul 25 2022**

web get growthink s frozen yogurt business plan template step by step instructions to quickly easily create your frozen yogurt business plan

frozen yogurt flow chart protese odontocompany com - Jun 23 2022

web 2 frozen yogurt flow chart 2023 07 24 subject with extensive subject and geographical index 234 photographs and

illustrations mostly color free of charge in digital pdf format on google books dairy science and technology handbook product manufacturing grand central publishing principles and practices for the safe processing of foods presents

*doc flow chart of yoghurt with fruit defne as* - Sep 26 2022

web flow chart of yoghurt with fruit raw milk clarification standardization for fat standardization for dry matter pre heating 60 70 c homogenizing 55 60 c heat treatment 80 85 c for 30 min fermentation 40 45 c starter culture addition 1 3 at 40 45 c incubation in tank 43 c fruit aroma addition

**frozen yogurt flow chart discover designlights org** - Mar 21 2022

web 4 frozen yogurt flow chart 2022 06 30 performance and functionality in food systems the popular applications of dairy ingredients in the manufacture of food products such as dairy foods bakery products processed cheeses processed meats chocolate as well as confectionery products

*flow chart of yogurt production download scientific diagram* - Apr 02 2023

web download scientific diagram flow chart of yogurt production from publication the impact of extruded microparticulated whey proteins in reduced fat plain type stirred yogurt

**how is yogurt made step by step flow chart manufacturing procedures** - Oct 08 2023

web oct 29 2018 in this article we will discuss about the methods and procedures to made yogurt learn about 1 yogurt ingredients and rheological aspects 2 fruit preparations for flavoring yogurt 3 yogurt starter and its contribution to texture and flavor 4 manufacturing procedures 5 manufacturing of frozen yogurt 6 yogurt quality control

**pdf how is yogurt made step by step flow chart** - Nov 28 2022

web analysis of methods and tools for evaluating the quality of yogurt Златин Златев the report presents the actuality of form factor issues associated with the production consumption and wholesomeness of dairy products particularly yogurt mentioned are normative methods for assessing quality indicators of yogurt adopted in

**frozen yogurt production flow chart nlu l natural lactase units** - Jul 05 2023

web download scientific diagram frozen yogurt production flow chart nlu l natural lactase units per litre from publication lactose free frozen yogurt production and characteristics

*flow chart for yoghurt processing adapted and researchgate* - Dec 30 2022

web flow chart for yoghurt processing adapted and modified from farinde et al 12 key pwm powdered whole milk sym soymilk source publication quality comparison of flavoured and

**generic production flow diagram for industrial yoghurt production** - May 03 2023

web figure 1 shows a typical yoghurt production flow using standard symbols to represent the production processes for all three varieties studied with possible fruit flavouring in contrast with

[frozen yogurt production flow chart nlu l researchgate](#) - Sep 07 2023

web download scientific diagram frozen yogurt production flow chart nlu l natural lactase units per litre from publication lactose free frozen yogurt production and characteristics

[12 step checklist to jumpstart your frozen yogurt business](#) - Feb 17 2022

web to help launch your frozen yogurt business we have here a 12 step checklist that you can refer to it covers topics such as developing a business plan identifying funding options assessing suppliers and managing daily operations let s take

**2 process diagram for yogurt production researchgate** - Jan 31 2023

web the value added milk derivatives such as cream butter ghee yogurt ice cream and other condensed forms of milks etc forms 54 of the total dairy consumption with an annual energy consumption

**production cost analysis and marketing of fermented foods yoghurt** - Mar 01 2023

web jan 1 2023 this chapter describes various constituents and their composition for use in the production of yoghurt the quality of milk and their characteristics for yoghurt manufacture are briefly discussed several steps required for formulation and processing of popular styles of yogurt are described

**doc process flow diagrams hafiza kamal academia edu** - Aug 26 2022

web raw milk received according to raw milk receiving flow chart 2 page 38 of 46 penn state berkey creamery process flow 2014 frozen yogurt product name frozen yogurt plant name penn state berkey creamery ingredients milk skim milk powder sugar dry corn syrup solids stabilizer yogurt liquid flavoring ingredients packaging packaged in

**process flow chart for yoghurt production source 16 17** - Jun 04 2023

web the yoghurt samples were analyzed and compared with reconstituted full cream milk powder fcmp based yoghurt for their chemical composition microbiological and sensory qualities using standard

**frozen yogurt manufacturing university of arizona** - Aug 06 2023

web may 2 2008 in the most important step the frozen yogurt mix is sent through an ammonia cooled scraped surface heat exchanger where initial freezing takes place and air is injected to give the frozen yogurt a light creamy texture finally the frozen yogurt is packaged hardened and finally sent to a storage freezer to await shipping

[flintstones the the flintstones download free sheet music and](#) - Jun 06 2022

web flintstones full band score and parts and sib file meet the flintstones alto saxophone sheet music pdf original screen tv musical game etc flintstones full band score and parts and sib file translation meet the flintstones 2nd tenor trombone

**the flintstones guitar sheet music musicnotes com** - Jan 13 2023

web the flintstones guitar sheet music downloads at musicnotes com download sheet music for the flintstones choose from the flintstones sheet music for such popular songs as meet the flintstones 12 cartoon theme song classics and print instantly

or sync to our free pc web and mobile apps close at a glance

[meet the flintstones sheet music for piano solo musescore.com](#) - Aug 20 2023

web mar 1 2020 download and print in pdf or midi free sheet music for the flintstones theme by misc cartoons arranged by petho lorand for piano solo

**play the flintstones theme music sheet play on virtual piano** - Nov 11 2022

web aug 19 2020 about this music sheet the flintstones theme is a song by hoyt curtin use your computer keyboard to play the flintstones theme music sheet on virtual piano this is a super easy song which you can also load and play on your mobile or tablet the recommended time to play this music sheet is 01 00 as verified by virtual

[flintstones theme don carroll s midi sheet music for piano](#) - Jul 19 2023

web cyprus download and print in pdf or midi free sheet music for the flintstones theme by misc cartoons arranged by dogman15 for piano cornet tuba oboe trumpet in b flat drum group strings group strings plucked other mixed ensemble

[meet the flintstones download free sheet music and scores](#) - May 05 2022

web download 212 free sheet music and scores meet the flintstones sheet music scores

**the flintstones theme song easy sheet music** - Mar 03 2022

web feb 23 2021 the flintstones theme song easy sheet music guitar chords free sheet music with guitar chords download organ ocarina ukulele flute violin guitar recorder mandolin and melodica sheet music

[the flintstones meet the flintstones free music sheet](#) - Jan 01 2022

web aug 21 2023 we give you 1 pages partial preview of the flintstones meet the flintstones music sheet that you can try for free in order to continue read the entire music sheet of the flintstones meet the flintstones you need to signup download music sheet notes in pdf format also available for offline reading

**the flintstones theme song sheet music guitar chords** - Apr 04 2022

web jan 24 2023 organ harmonica ocarina ukulele flute violin guitar recorder mandolin and melodica sheet music read more free sheet music download

[meet the flintstones from the flintstones sheet music easy](#) - Feb 14 2023

web meet the flintstones from the flintstones digital sheet music easy piano price 5 79 or 1 pro credit pro credits included with musicnotes pro learn more includes 1 print interactive copy with lifetime access in our free apps each additional print is 4 99 add a pdf download for just 3 more

[meet the flintstones sheet music musicnotes.com](#) - Jun 18 2023

web browse our 11 arrangements of meet the flintstones sheet music is available for piano voice guitar and 4 others with 6 scorings and 2 notations in 6 genres find your perfect arrangement and access a variety of transpositions so you can print

and play instantly anywhere

**free the flintstones theme by misc cartoons sheet music** - Oct 22 2023

web free the flintstones theme by misc cartoons sheet music download pdf or print on musescore com fall into savings get 90 off 06d 00h 03m 55s view offer

**meet the flintstones bb instrument from the flintstones sheet** - Aug 08 2022

web leadsheet meet the flintstones bb instrument digital sheet music contains printable sheet music plus an interactive downloadable digital sheet music file does not contain lyrics leadsheets typically only contain the lyrics chord symbols and melody line of a song and are rarely more than one page in length

[the flintstones sheet music downloads at musicnotes com](#) - Sep 21 2023

web download sheet music for the flintstones choose from the flintstones sheet music for such popular songs as meet the flintstones 40 best cartoon series intros piano medley and meet the flintstones easy print instantly or

[meet the flintstones sheet music for voice and piano pdf](#) - Sep 09 2022

web download the high quality pdf file hoyt curtin meet the flintstones for voice and piano intermediate voice sheet music high quality and interactive transposable in any key play along includes an high quality pdf file to download instantly licensed to virtual sheet music by hal leonard publishing company

*meet the flintstones by the bc 52 s big note piano sheet music* - Jul 07 2022

web writer hoyt curtin william hanna joseph barbera also performed by the b 52 s format digital sheet music pages 3 arrangement big note piano publisher hal leonard product id 431271 instruments piano keyboard download and print meet the flintstones sheet music for big note piano by the bc 52 s from sheet music direct

**the flintstones free music sheet musicsheets org** - Feb 02 2022

web aug 21 2023 preview the flintstones theme for classical guitar is available in 1 pages and compose for early intermediate difficulty this music sheet has been read 3111 times and the last read was at 2023 08 16 09 34 40 free download the flintstones music sheet with intermediate difficulty in best music sheet notes website

**the flintstones piano sheet music musicnotes com** - Apr 16 2023

web download sheet music for the flintstones choose from the flintstones sheet music for such popular songs as 40 best cartoon series intros piano medley meet the flintstones and meet the flintstones easy print instantly or sync to our free pc web and mobile apps

**meet the flintstones from the flintstones sheet music in f** - Mar 15 2023

web print and download meet the flintstones sheet music from the flintstones sheet music arranged for piano vocal guitar in f major transposable sku mn0016086

*meet the flintstones sheet music for piano solo musescore com* - Dec 12 2022

web 100 f d black friday 90 off play the music you love without limits for just 7 99 0 77 week billed annually at 39 99 view official scores licensed from print music publishers download and print scores from a huge community collection 1 776 815 scores advanced tools to level up your playing skills

*the flintstones sheet music for recorder mixed trio* - Oct 10 2022

web download and print in pdf or midi free sheet music for the flintstones theme by misc cartoons arranged by debberg for recorder mixed trio

*meet the flintstones sheet music for piano vocals flute* - May 17 2023

web cyprus download and print in pdf or midi free sheet music for the flintstones theme by misc cartoons arranged by sigrid1391 for piano vocals flute trumpet in b flat violin guitar bass guitar drum group mixed ensemble

ird training in room dining - Nov 24 2021

**preview hospitality school** - Jul 13 2023

web hotel room service training manual chapter 4 room service tray table setup 106 114 chapter 5 room service order delivery 115 134 chapter 6 room service

premium housekeeping training course hospitality school com - Oct 24 2021

**f b service archives hospitality management free waiter** - Jan 27 2022

web total 14 chapters modules that will help you to learn everything you need to know to be a great hotel housekeeping expert from basic housekeeping job or towel folding to

**hotel room service training manual hospitality school com** - Jun 12 2023

web hotel room service training manual 1st edition is by far the only available training manual in the market written on room service department here we have discussed

hotel room service training manual google books - Aug 14 2023

web jun 12 2016 hotel room service training manual 1st edition is by far the only available training manual in the market written on room service department here we have

hotels food and beverage room service cpl - Oct 04 2022

web table of contents chapter 1 room service operation 1 38 1 introduction to room service 2 5 2 location of the department 5 11 3 attributes of a room service waiter 11

**hotel front office training manual with 231 sop professional** - Jan 07 2023

web hotel room service training manual 1st edition is by far the only available training manual in the market written on room service department here we have discussed

**hotel room service training manual hotelier tanji amazon com tr** - Feb 08 2023

web hotel front office training manual with 231 sop professional front office management guide for hoteliers hospitality students hotel front office training manual covers

*hotel room service training manual book by hotelier tanji* - May 31 2022

web the required standards for room service call for some very specific delivery procedures including asking the guest for permission to enter the room reviewing the order with

**room service manual scr pdf tableware food and drink** - Feb 25 2022

web 1 answer the phone within 3 rings 2 greet guest by saying good morning private dining this is hien how may i assist you mr michiel 3 listen to the guest s order collect

*tips for successful room service in hotel* - Mar 29 2022

web module 1 how to welcome guest how to seat guest how to present menu mise en place serviceware cutlery glassware table setting a to z how to carry trays plates etc

*the federation of dining room professionals fdrp* - Sep 22 2021

**hotel room service training manual amazon com** - Dec 06 2022

web jul 17 2012 we are going to publish around 150 page of room service training manual which will give you ever single point of information about how to maintain a perfect room

room service essentials typsy online course - Apr 10 2023

web how to prepare for room service delivery best practice strategies for entering a guest room how to deliver in room dining common room service challenges and how to

pdf hotel room service training manual ebooks review - Apr 29 2022

web jul 5 2022 training manual 200 hotel management training tutorials f b service training manual with 225 sop hotel front office training manual hotel

**a to z hotel room service procedure hospitality school com** - Sep 03 2022

web buy a cheap copy of hotel room service training manual book by hotelier tanji download hotel room service training manual we are highly recommending to get

hotel housekeeping training manual and sop free - Mar 09 2023

web hotel room service training manual hotelier tanji amazon com tr Çerez tercihlerinizi seçin alışveriş deneyiminizi

geliştirmek hizmetlerimizi sunmak müşterilerin

*hotel room service training manual pdf scribd* - May 11 2023

web hotel room service training manual free download as pdf file pdf text file txt or read online for free room service manual

**hotel room service training manual by hotelier tanji goodreads** - Aug 02 2022

web hotel room service training manual written by hotelier hotelier tanji and has been published by createspace independent publishing platform this book supported file pdf

hotel room service training manual pdf op y w c hotel - Jul 01 2022

web sep 25 2010 click here to download premium training manuals click here to download powerpoints so here in this free hotel management training blog i am gonna

**5 weeks f b service course hospitality school com** - Dec 26 2021

web the information provided in this manual has been compiled from sources and documents believed to be reliable or training and management programs are urged to use the

**hotel room service training manual the ultimate practical** - Nov 05 2022

web jun 12 2016 why you must buy this amazing guidehotel room service training manual 1st edition is by far the only available training manual in the market written on