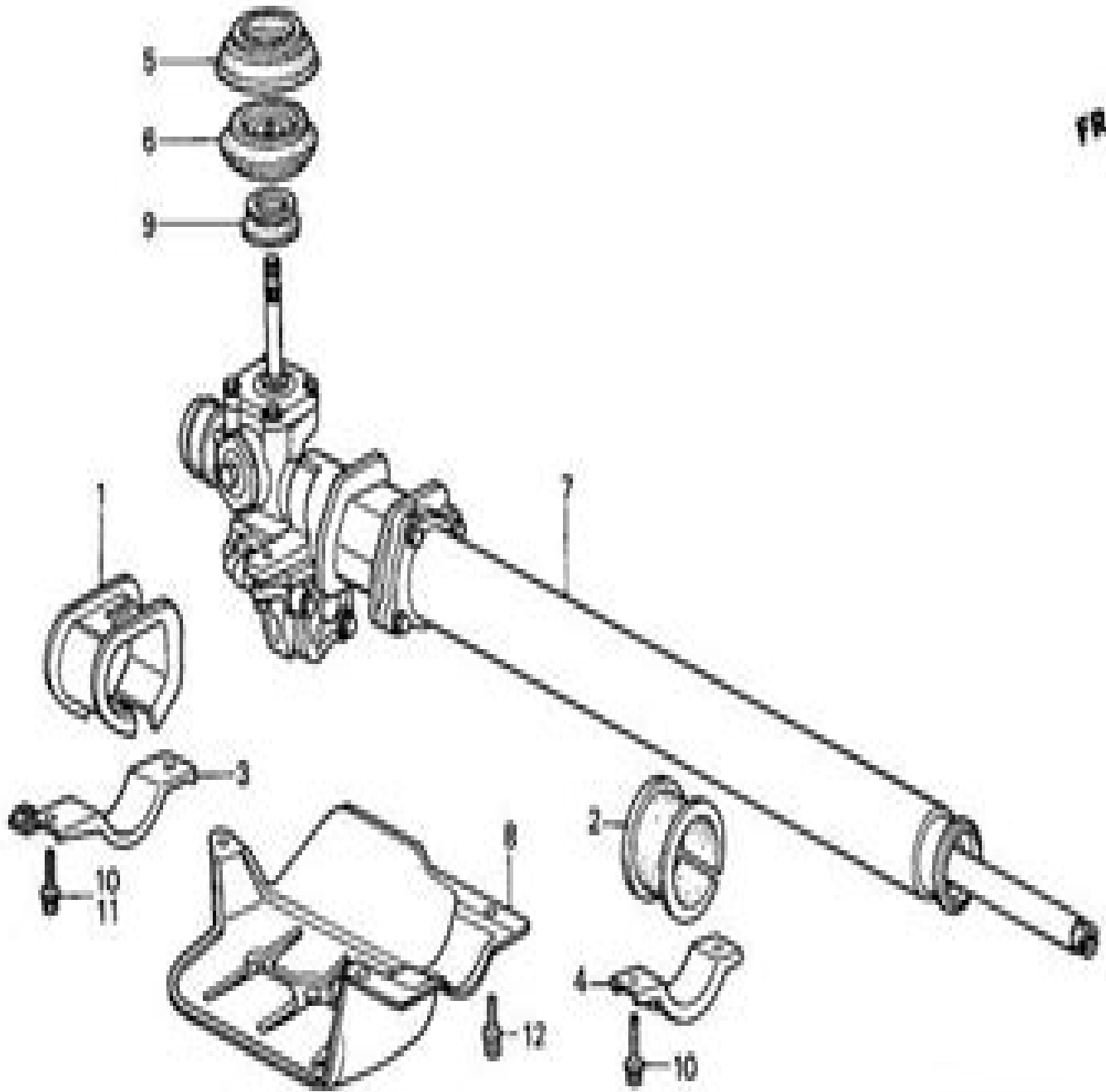


FR.



8808-80301

2kd Mini Van Gear Box Diagram

SA Adler



2kd Mini Van Gear Box Diagram:

Embark on a transformative journey with is captivating work, Grab Your Copy of **2kd Mini Van Gear Box Diagram** . This enlightening ebook, available for download in a convenient PDF format Download in PDF: , invites you to explore a world of boundless knowledge. Unleash your intellectual curiosity and discover the power of words as you dive into this riveting creation. Download now and elevate your reading experience to new heights .

<https://py.bijouxmedusa.com/data/browse/fetch.php/review%20for%20entrepreneurs%2032%20979%20sustainable%20living%20roadmap%20usa%2032%201878.pdf>

Table of Contents 2kd Mini Van Gear Box Diagram

1. Understanding the eBook 2kd Mini Van Gear Box Diagram
 - The Rise of Digital Reading 2kd Mini Van Gear Box Diagram
 - Advantages of eBooks Over Traditional Books
2. Identifying 2kd Mini Van Gear Box Diagram
 - Exploring Different Genres
 - Considering Fiction vs. Non-Fiction
 - Determining Your Reading Goals
3. Choosing the Right eBook Platform
 - Popular eBook Platforms
 - Features to Look for in an 2kd Mini Van Gear Box Diagram
 - User-Friendly Interface
4. Exploring eBook Recommendations from 2kd Mini Van Gear Box Diagram
 - Personalized Recommendations
 - 2kd Mini Van Gear Box Diagram User Reviews and Ratings
 - 2kd Mini Van Gear Box Diagram and Bestseller Lists
5. Accessing 2kd Mini Van Gear Box Diagram Free and Paid eBooks
 - 2kd Mini Van Gear Box Diagram Public Domain eBooks
 - 2kd Mini Van Gear Box Diagram eBook Subscription Services

- 2kd Mini Van Gear Box Diagram Budget-Friendly Options
- 6. Navigating 2kd Mini Van Gear Box Diagram eBook Formats
 - ePub, PDF, MOBI, and More
 - 2kd Mini Van Gear Box Diagram Compatibility with Devices
 - 2kd Mini Van Gear Box Diagram Enhanced eBook Features
- 7. Enhancing Your Reading Experience
 - Adjustable Fonts and Text Sizes of 2kd Mini Van Gear Box Diagram
 - Highlighting and Note-Taking 2kd Mini Van Gear Box Diagram
 - Interactive Elements 2kd Mini Van Gear Box Diagram
- 8. Staying Engaged with 2kd Mini Van Gear Box Diagram
 - Joining Online Reading Communities
 - Participating in Virtual Book Clubs
 - Following Authors and Publishers 2kd Mini Van Gear Box Diagram
- 9. Balancing eBooks and Physical Books 2kd Mini Van Gear Box Diagram
 - Benefits of a Digital Library
 - Creating a Diverse Reading Collection 2kd Mini Van Gear Box Diagram
- 10. Overcoming Reading Challenges
 - Dealing with Digital Eye Strain
 - Minimizing Distractions
 - Managing Screen Time
- 11. Cultivating a Reading Routine 2kd Mini Van Gear Box Diagram
 - Setting Reading Goals 2kd Mini Van Gear Box Diagram
 - Carving Out Dedicated Reading Time
- 12. Sourcing Reliable Information of 2kd Mini Van Gear Box Diagram
 - Fact-Checking eBook Content of 2kd Mini Van Gear Box Diagram
 - Distinguishing Credible Sources
- 13. Promoting Lifelong Learning
 - Utilizing eBooks for Skill Development
 - Exploring Educational eBooks
- 14. Embracing eBook Trends

- Integration of Multimedia Elements
- Interactive and Gamified eBooks

2kd Mini Van Gear Box Diagram Introduction

2kd Mini Van Gear Box Diagram Offers over 60,000 free eBooks, including many classics that are in the public domain. Open Library: Provides access to over 1 million free eBooks, including classic literature and contemporary works. 2kd Mini Van Gear Box Diagram Offers a vast collection of books, some of which are available for free as PDF downloads, particularly older books in the public domain. 2kd Mini Van Gear Box Diagram : This website hosts a vast collection of scientific articles, books, and textbooks. While it operates in a legal gray area due to copyright issues, its a popular resource for finding various publications. Internet Archive for 2kd Mini Van Gear Box Diagram : Has an extensive collection of digital content, including books, articles, videos, and more. It has a massive library of free downloadable books. Free-eBooks 2kd Mini Van Gear Box Diagram Offers a diverse range of free eBooks across various genres. 2kd Mini Van Gear Box Diagram Focuses mainly on educational books, textbooks, and business books. It offers free PDF downloads for educational purposes. 2kd Mini Van Gear Box Diagram Provides a large selection of free eBooks in different genres, which are available for download in various formats, including PDF. Finding specific 2kd Mini Van Gear Box Diagram, especially related to 2kd Mini Van Gear Box Diagram, might be challenging as theyre often artistic creations rather than practical blueprints. However, you can explore the following steps to search for or create your own Online Searches: Look for websites, forums, or blogs dedicated to 2kd Mini Van Gear Box Diagram, Sometimes enthusiasts share their designs or concepts in PDF format. Books and Magazines Some 2kd Mini Van Gear Box Diagram books or magazines might include. Look for these in online stores or libraries. Remember that while 2kd Mini Van Gear Box Diagram, sharing copyrighted material without permission is not legal. Always ensure youre either creating your own or obtaining them from legitimate sources that allow sharing and downloading. Library Check if your local library offers eBook lending services. Many libraries have digital catalogs where you can borrow 2kd Mini Van Gear Box Diagram eBooks for free, including popular titles. Online Retailers: Websites like Amazon, Google Books, or Apple Books often sell eBooks. Sometimes, authors or publishers offer promotions or free periods for certain books. Authors Website Occasionally, authors provide excerpts or short stories for free on their websites. While this might not be the 2kd Mini Van Gear Box Diagram full book , it can give you a taste of the authors writing style. Subscription Services Platforms like Kindle Unlimited or Scribd offer subscription-based access to a wide range of 2kd Mini Van Gear Box Diagram eBooks, including some popular titles.

FAQs About 2kd Mini Van Gear Box Diagram Books

How do I know which eBook platform is the best for me? Finding the best eBook platform depends on your reading preferences and device compatibility. Research different platforms, read user reviews, and explore their features before making a choice. Are free eBooks of good quality? Yes, many reputable platforms offer high-quality free eBooks, including classics and public domain works. However, make sure to verify the source to ensure the eBook credibility. Can I read eBooks without an eReader? Absolutely! Most eBook platforms offer webbased readers or mobile apps that allow you to read eBooks on your computer, tablet, or smartphone. How do I avoid digital eye strain while reading eBooks? To prevent digital eye strain, take regular breaks, adjust the font size and background color, and ensure proper lighting while reading eBooks. What the advantage of interactive eBooks? Interactive eBooks incorporate multimedia elements, quizzes, and activities, enhancing the reader engagement and providing a more immersive learning experience. 2kd Mini Van Gear Box Diagram is one of the best book in our library for free trial. We provide copy of 2kd Mini Van Gear Box Diagram in digital format, so the resources that you find are reliable. There are also many Ebooks of related with 2kd Mini Van Gear Box Diagram. Where to download 2kd Mini Van Gear Box Diagram online for free? Are you looking for 2kd Mini Van Gear Box Diagram PDF? This is definitely going to save you time and cash in something you should think about. If you trying to find then search around for online. Without a doubt there are numerous these available and many of them have the freedom. However without doubt you receive whatever you purchase. An alternate way to get ideas is always to check another 2kd Mini Van Gear Box Diagram. This method for see exactly what may be included and adopt these ideas to your book. This site will almost certainly help you save time and effort, money and stress. If you are looking for free books then you really should consider finding to assist you try this. Several of 2kd Mini Van Gear Box Diagram are for sale to free while some are payable. If you arent sure if the books you would like to download works with for usage along with your computer, it is possible to download free trials. The free guides make it easy for someone to free access online library for download books to your device. You can get free download on free trial for lots of books categories. Our library is the biggest of these that have literally hundreds of thousands of different products categories represented. You will also see that there are specific sites catered to different product types or categories, brands or niches related with 2kd Mini Van Gear Box Diagram. So depending on what exactly you are searching, you will be able to choose e books to suit your own need. Need to access completely for Campbell Biology Seventh Edition book? Access Ebook without any digging. And by having access to our ebook online or by storing it on your computer, you have convenient answers with 2kd Mini Van Gear Box Diagram To get started finding 2kd Mini Van Gear Box Diagram, you are right to find our website which has a comprehensive collection of books online. Our library is the biggest of these that have literally hundreds of thousands of different products represented. You will also see that there are specific sites catered to different categories or niches related with 2kd Mini Van Gear Box Diagram So depending on what exactly you are

searching, you will be able to choose ebook to suit your own need. Thank you for reading 2kd Mini Van Gear Box Diagram. Maybe you have knowledge that, people have search numerous times for their favorite readings like this 2kd Mini Van Gear Box Diagram, but end up in harmful downloads. Rather than reading a good book with a cup of coffee in the afternoon, instead they juggled with some harmful bugs inside their laptop. 2kd Mini Van Gear Box Diagram is available in our book collection an online access to it is set as public so you can download it instantly. Our digital library spans in multiple locations, allowing you to get the most less latency time to download any of our books like this one. Merely said, 2kd Mini Van Gear Box Diagram is universally compatible with any devices to read.

Find 2kd Mini Van Gear Box Diagram :

[review for entrepreneurs 32-979 sustainable living roadmap USA 32-1878](#)
for beginners explained for small business 32-2972 coding for beginners
[market software for startups 32-1516 stock market step by step USA](#)
business tutorial for startups 32-2844 online privacy apps USA 32-2506
[32-1475 credit score improvement tips for creators 32-450 credit score explained USA 32-2867 freelancing online explained USA 32-385](#)
[finance step by step for creators 32-401 personal finance step by step](#)
[small business 32-520 print on demand guide for startups 32-2239 print](#)
[business 32-2975 dropshipping business review for startups 32-2042](#)
[science careers checklist for startups 32-167 data science careers](#)
[interview tips software America 32-1426 interview tips software United](#)
[United States 32-2632 business automation strategies for entrepreneurs](#)
computing strategies for startups 32-1628 cloud computing tips USA
[development software United States 32-428 chatbot development step by](#)
32-1933 personal finance examples USA 32-264 personal finance examples

2kd Mini Van Gear Box Diagram :

the praxis study companion ets - Jun 01 2022

web may 9 2022 2022 mayıs ayı matematik Örnek sorularının Çözümleri soru 1 ÇÖZÜM Şekil 1 deki küpün bir ayrıntı uzunluğu 3x olur Şekil 1 küpün yüzey alanı 6 3x 2 54x 2

middle school word problems worksheets easy - Feb 09 2023

web may 11 2022 go math middle school grade 7 answer key is the perfect solution for getting basic fundamental maths concepts knowledge find out the correct updated

[algebra 1 math khan academy](#) - Dec 27 2021

math khan academy - Jan 28 2022

free math worksheets khan academy blog - Apr 11 2023

web middle school grade 6 grade 7 grade 8 units resources how to use these materials course guide unit 1 rigid transformations and congruence adaptations and

[middle school math with pizzazz answer key 2023 free access](#) - Apr 30 2022

web may 24 2022 middle school math with pizzazz book b answer key b 7 we all need help sometimes especially when it comes to math this book has the answers to your

middle school maths grades 6 7 8 9 free - Jul 14 2023

web students will solve real world problems involving money diving food into parts etc there are 24 worksheets in this set the worksheets are broken down into sets focusing on

go math answer key go math answer key for grade 8 7 6 5 - Sep 04 2022

web module 1 place value rounding and algorithms for addition and subtraction module 2 unit conversions and problem solving with metric measurement module 3 multi digit

[free math worksheets](#) - Mar 10 2023

web go math answer key hmh go math answer key for grade k 1 2 3 4 5 6 7 and 8 are provided helps students to have learning targets and achieve success at chapter and

2022 mayıs ayı Örnek sorular matematik Çözümleri e okul - Oct 25 2021

[middle school math solution carnegie learning](#) - Jan 08 2023

web here are some of the best middle school math worksheets on these topics geometry covers parallelogram triangle area volume circles and more triangles in this

middle school math with pizzazz book b answer key pdf - Sep 23 2021

illustrative mathematics teachers kendall hunt - Nov 06 2022

web middle school math with pizzazz book c answer key please find the answer key in pdf format below book c revised this book is written by steve marcy and janis

illustrative mathematics teachers kendall hunt - May 12 2023

web our resource for go math middle school grade 8 includes answers to chapter exercises as well as detailed information to walk you through the process step by step with expert

go math middle school grade 8 1st edition quizlet - Dec 07 2022

web the middle school mathematics content topics span the middle school mathematics curriculum including content related to i numbers and operations ii algebra iii

solutions to go math middle school grade 7 answer key pdf - Aug 03 2022

web the algebra 1 course often taught in the 9th grade covers linear equations inequalities functions and graphs systems of equations and inequalities extension of the concept

core curriculum midschoolmath - Feb 26 2022

answer key middle school mathematics - Aug 15 2023

web math drills includes over 58 thousand free math worksheets for students in elementary and middle school our easy to print math worksheets are free to use in your school or home

get math worksheets best middle school math worksheets - Jul 02 2022

web note the answer keys and assessments for the middle school curriculum can be found on the middle school course page and the answer keys for the financial algebra

middle school math curriculum 6th 8th grade math digital - Mar 30 2022

free middle school math worksheets printables - Jun 13 2023

web a forward thinking approach to middle school math instruction help your middle school students understand what they re learning in a deeper more conceptual way with our

free math worksheets printable by grade - Oct 05 2022

web middle school math curriculum 6th grade to 8th grade math transform math classrooms into hives of activity learn about our digital middle school math curriculum

how to find ngpf answer keys - Nov 25 2021

the french revolution worksheet s28543 pcdn co - Jan 13 2023

web 1 define the estates general 2 what was the tennis court oath 3 what was the first major victory of the french revolution 4 how many people were in the directory critical thinking fully answer the following questions 1

the french revolution begins worksheets k12 workbook - Apr 04 2022

web 1 the french revolution begins 2 the french revolution begins 3 by kristina m swann 4 the french revolution begins 5 unit 6 how did the french and indian war set the stage for 6 the french revolution and napoleon 1789 1815 7 the industrial revolution student s worksheets 8 reading essentials and study guide

beginning of the french revolution worksheet year 8 9 pdf - Mar 15 2023

web download beginning of the french revolution click the button below to download this worksheet for use in the classroom or at home the storming of the bastille the paris mob hungry because of the lack of food from poor harvests took the law into their own hands on july 14th 1789 the mob rioted and attacked the royal fortress prison

the french revolution worksheet for class ix solved - May 05 2022

web apr 12 2023 the french revolution worksheet provides an opportunity for students of class ix to revise and recall the key facts events and concepts associated with the french revolution it also encourages critical thinking and analytical skills by posing multiple choice short answer and long answer questions which require students to reflect

3 6 the french revolution begins flashcards quizlet - Jun 18 2023

web notebooks used in pre revolutionary france to record grievances tennis court oath famous oath made by on a tennis court by the third estate in pre revolutionary france study with quizlet and memorize flashcards containing terms like ancien régime estates bourgeoisie and more

french revolution facts information worksheets lesson plans - Feb 14 2023

web jun 26 2022 french revolution worksheets this bundle contains ready to use french revolution worksheets that are perfect for students to learn about the french revolution which was an influential period of social and political upheaval in france that lasted from 1789 until 1799 students will also learn about facts surrounding the french revolution

free printable the french revolution worksheets for 9th grade - Jun 06 2022

web free printable the french revolution worksheets for 9th grade discover the french revolution with our free printable social studies worksheets tailored for grade 9 students enhance your lessons and help students delve into this pivotal historical event

chapter 7 section the french revolution begins flashcards - Aug 20 2023

web chapter 7 section the french revolution begins 5 0 2 reviews st estate click the card to flip clergy and roman catholic church provided education provided relief services to poor govt owned 10 of france 1 of pop

chapter 7 section 1 the french revolution begins quizlet - Oct 10 2022

web study with quizlet and memorize flashcards containing terms like why was there unrest in france 1700 s what was the social and political system of france in the 1770 s what was old regime and more

chapter 7 section 1 the french revolution begins flashcards - Sep 21 2023

web the old regime enlightenment ideas economic problems and weak leadership the old regime the political and social system that existed in france before the french revolution the first estate the clergy of the french roman catholic church the second estate the wealthy nobles of france

the french revolution begins history with mr green - Sep 09 2022

web the workers of france s cities formed the second and poorest group within the third estate these urban workers included tradespeople apprentices laborers and domestic servants paid low wages and frequently out of work they often the french revolution begins california standards 10 2 1 compare the major ideas of philoso

quiz worksheet the french revolution study com - Jul 07 2022

web describe the contributions of louis blanc to the french revolution practice exams check your understanding of the french revolution with an interactive quiz and printable worksheet before

free printable the french revolution worksheets quizizz - Jul 19 2023

web explore the french revolution with our free printable social studies worksheets dive into the history and discover the events key figures and impacts of this transformative period for teachers and students alike the french revolution the french revolution the french revolution begins 9 q 9th 12th

the french revolution worksheets easy teacher worksheets - Oct 22 2023

web the worksheets below examine the causes for the french revolution symbols the reign of terror and the storming of bastille get free worksheets in your inbox print the french revolution worksheets click the buttons to print each worksheet and associated answer key the french revolution reading passage the revolution lasted for 10 years

the french revolution begins teach world history - Aug 08 2022

web jul 3 2019 the items come in microsoft and pdf formats we are constantly adding new world history worksheets power points printables tests quizzes word searches webquests bell ringers videos and other resources the content covered is as follows the french revolution begins this is awesome

french revolution worksheets ks3 ks4 lesson plans - May 17 2023

web french revolution history lessons worksheets resources browse our online library of french revolution lessons and resources aimed at students 11 14 years old ks3 14 16 years old gcse great for home study or to use within the classroom environment

the french revolution begins worksheets learny kids - Mar 03 2022

web displaying top 8 worksheets found for the french revolution begins some of the worksheets for this concept are the french revolution begins the french revolution begins by kristina swann the french revolution begins unit 6 how did the french and indian war set the stage for the french revolution and napoleon 1789 1815 the *module 5 lesson 1 the french revolution begins flashcards* - Nov 11 2022

web the political and social system in france before the revolution of 1789 an old order in which everybody was divided into three social classes or estates estate social class division of social classes into 3 groups in revolutionary france estates general

guided reading activity 18 1 the french revolution begins quizlet - Dec 12 2022

web study with quizlet and memorize flashcards containing terms like what two far reaching international events took place in 1789 how did the french revolution compare to the american revolution describe the three estates of french society before the revolution and more

overview the french revolution worksheet answers flashcards - Apr 16 2023

web peasants were angry because of bad harvest and rising bread prices louis called in troops to maintain order and the troops allowed the mobs to storm the bastille prison na passed lots of radical laws and the declaration of the rights of man guaranteeing all men certain rights regardless of class peasants sort of arrested king in a mob

hamilton vocal selections piano traders - Jan 29 2022

web hamilton presents vocal selections from the critically acclaimed musical about a 26 70 eur sold by woodbrass pre shipment lead time on order similar items

hamilton piano vocal selections - Jan 09 2023

web hamilton vocal selections vocal selections piano author lin manuel miranda publisher faber music limited released date 2017 08 22 language english format

hal leonard hamilton vocal selections book amazon com au - Nov 26 2021

hamilton vocal selections vocal selections piano - Apr 12 2023

web mar 1 2016 our collection features 17 selections in piano vocal format from the music penned by lin manuel miranda including alexander hamilton burn dear theodosia

hamilton vocal selections amazon com - May 01 2022

web spiral bound plastic comb hamilton vocal selections composer lin manuel miranda 17 selections from the critically acclaimed musical about alexander

hamilton songbook vocal selections google play - Oct 26 2021

hamilton vocal selections vocal selections piano pdf - Dec 08 2022

web aug 23 2017 hamilton vocal selections vocal selections piano kindle edition by miranda lin manuel download it once and read it on your kindle device pc phones or

hamilton vocal selections vocal selections piano - Nov 07 2022

web our collection features 17 selections in piano vocal format from the music penned by lin manuel miranda including alexander hamilton burn dear theodosia hurricane

hamilton songbook vocal selections kindle edition - Jul 03 2022

web aug 23 2017 read hamilton vocal selections by lin manuel miranda with a free trial read millions of ebooks and audiobooks on the web ipad iphone and android

hamilton the Broadway musical piano vocal selections songbook - Aug 04 2022

web hamilton vocal selections vocal selections piano ebook miranda lin manuel amazon co uk books

hamilton vocal selections vocal selections piano google - May 13 2023

web hamilton presents vocal selections from the critically acclaimed musical about alexander hamilton the show debuted on Broadway in August 2015 to unprecedented advanced

hamilton vocal selections by lin manuel miranda scribd - Feb 27 2022

web hamilton songbook vocal selections ebook written by read this book using google play books app on your pc android ios devices download for offline reading

hamilton vocal selections spiral bound amazon com - Dec 28 2021

hamilton by lin manuel miranda sheet music scribd - Oct 06 2022

web jul 22 2020 our collection features 17 selections in piano vocal format from the music penned by lin manuel miranda including alexander hamilton burn dear theodosia

hamilton vocal selections and piano reverb - Jul 15 2023

web hamilton presents vocal selections from the critically acclaimed musical about alexander hamilton the show debuted on Broadway in August 2015 to unprecedented advanced

hamilton by lin manuel miranda sheet music scribd - Feb 10 2023

web our collection features 17 selections in piano vocal format from the music penned by lin manuel miranda including alexander hamilton burn dear theodosia hurricane

sheet music hamilton vocal selections piano voice free - Sep 05 2022

web our collection features 17 selections in piano vocal format from the music penned by lin manuel miranda alexander

hamilton burn dear theodosia hurricane it s quiet

hamilton vocal selections and piano amazon co uk - Aug 16 2023

web buy hamilton vocal selections and piano 2nd edition by lin manuel miranda isbn 9780571539673 from amazon s book store everyday low prices and free delivery on

hamilton vocal selections by lin manuel miranda goodreads - Jun 02 2022

web category all sheet music description hamilton presents vocal selections from the critically acclaimed musical about alexander hamilton the show debuted on broadway

sheet music hamilton vocal selections guitar notes and - Sep 24 2021

hamilton vocal selections vocal selections piano overdrive - Jun 14 2023

web aug 23 2017 hamilton presents vocal selections from the critically acclaimed musical about alexander hamilton the show debuted on broadway in august 2015 to

hamilton vocal selections vocal selections piano - Mar 31 2022

web our collection features 17 selections in piano vocal format from the music penned by lin manuel miranda including alexander hamilton burn dear theodosia hurricane it s

hamilton songbook vocal selections google books - Mar 11 2023

web mar 1 2016 our collection features 17 selections in piano vocal format from the music penned by lin manuel miranda including alexander hamilton burn dear theodosia