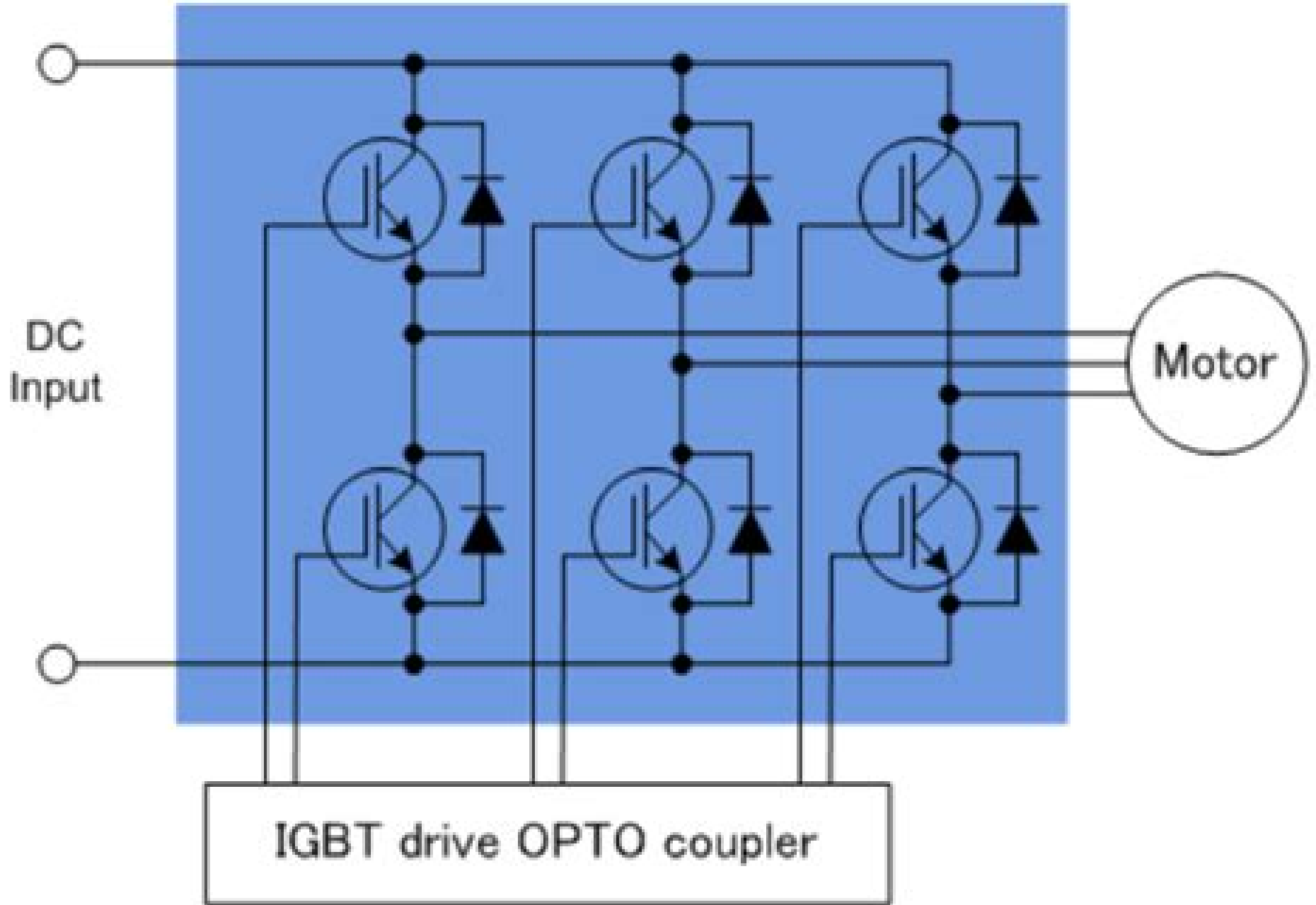


Inverter circuit



[3 Phase Inverter Circuit Using IGBT Pdf Download](#)

Shasha Hu



3 Phase Inverter Circuit Using IGBT Pdf Download:

If you ally need such a referred **3 Phase Inverter Circuit Using Igbt Pdf Download** book that will manage to pay for you worth, acquire the no question best seller from us currently from several preferred authors. If you want to witty books, lots of novels, tale, jokes, and more fictions collections are as a consequence launched, from best seller to one of the most current released.

You may not be perplexed to enjoy every books collections 3 Phase Inverter Circuit Using Igbt Pdf Download that we will completely offer. It is not approaching the costs. Its nearly what you habit currently. This 3 Phase Inverter Circuit Using Igbt Pdf Download, as one of the most keen sellers here will very be in the midst of the best options to review.

https://py.bijouxmedusa.com/results/uploaded-files/HomePages/Apps_United_States_91_1078_Electric_Vehicles_Apps_For_Creators_91_264.pdf

Table of Contents 3 Phase Inverter Circuit Using Igbt Pdf Download

1. Understanding the eBook 3 Phase Inverter Circuit Using Igbt Pdf Download
 - The Rise of Digital Reading 3 Phase Inverter Circuit Using Igbt Pdf Download
 - Advantages of eBooks Over Traditional Books
2. Identifying 3 Phase Inverter Circuit Using Igbt Pdf Download
 - Exploring Different Genres
 - Considering Fiction vs. Non-Fiction
 - Determining Your Reading Goals
3. Choosing the Right eBook Platform
 - Popular eBook Platforms
 - Features to Look for in an 3 Phase Inverter Circuit Using Igbt Pdf Download
 - User-Friendly Interface
4. Exploring eBook Recommendations from 3 Phase Inverter Circuit Using Igbt Pdf Download
 - Personalized Recommendations
 - 3 Phase Inverter Circuit Using Igbt Pdf Download User Reviews and Ratings

- 3 Phase Inverter Circuit Using IGBT PDF Download and Bestseller Lists
- 5. Accessing 3 Phase Inverter Circuit Using IGBT PDF Download Free and Paid eBooks
 - 3 Phase Inverter Circuit Using IGBT PDF Download Public Domain eBooks
 - 3 Phase Inverter Circuit Using IGBT PDF Download eBook Subscription Services
 - 3 Phase Inverter Circuit Using IGBT PDF Download Budget-Friendly Options
- 6. Navigating 3 Phase Inverter Circuit Using IGBT PDF Download eBook Formats
 - ePub, PDF, MOBI, and More
 - 3 Phase Inverter Circuit Using IGBT PDF Download Compatibility with Devices
 - 3 Phase Inverter Circuit Using IGBT PDF Download Enhanced eBook Features
- 7. Enhancing Your Reading Experience
 - Adjustable Fonts and Text Sizes of 3 Phase Inverter Circuit Using IGBT PDF Download
 - Highlighting and Note-Taking 3 Phase Inverter Circuit Using IGBT PDF Download
 - Interactive Elements 3 Phase Inverter Circuit Using IGBT PDF Download
- 8. Staying Engaged with 3 Phase Inverter Circuit Using IGBT PDF Download
 - Joining Online Reading Communities
 - Participating in Virtual Book Clubs
 - Following Authors and Publishers 3 Phase Inverter Circuit Using IGBT PDF Download
- 9. Balancing eBooks and Physical Books 3 Phase Inverter Circuit Using IGBT PDF Download
 - Benefits of a Digital Library
 - Creating a Diverse Reading Collection 3 Phase Inverter Circuit Using IGBT PDF Download
- 10. Overcoming Reading Challenges
 - Dealing with Digital Eye Strain
 - Minimizing Distractions
 - Managing Screen Time
- 11. Cultivating a Reading Routine 3 Phase Inverter Circuit Using IGBT PDF Download
 - Setting Reading Goals 3 Phase Inverter Circuit Using IGBT PDF Download
 - Carving Out Dedicated Reading Time
- 12. Sourcing Reliable Information of 3 Phase Inverter Circuit Using IGBT PDF Download
 - Fact-Checking eBook Content of 3 Phase Inverter Circuit Using IGBT PDF Download
 - Distinguishing Credible Sources

13. Promoting Lifelong Learning
 - Utilizing eBooks for Skill Development
 - Exploring Educational eBooks
14. Embracing eBook Trends
 - Integration of Multimedia Elements
 - Interactive and Gamified eBooks

3 Phase Inverter Circuit Using IGBT PDF Download Introduction

Free PDF Books and Manuals for Download: Unlocking Knowledge at Your Fingertips In today's fast-paced digital age, obtaining valuable knowledge has become easier than ever. Thanks to the internet, a vast array of books and manuals are now available for free download in PDF format. Whether you are a student, professional, or simply an avid reader, this treasure trove of downloadable resources offers a wealth of information, conveniently accessible anytime, anywhere. The advent of online libraries and platforms dedicated to sharing knowledge has revolutionized the way we consume information. No longer confined to physical libraries or bookstores, readers can now access an extensive collection of digital books and manuals with just a few clicks. These resources, available in PDF, Microsoft Word, and PowerPoint formats, cater to a wide range of interests, including literature, technology, science, history, and much more. One notable platform where you can explore and download free 3 Phase Inverter Circuit Using IGBT PDF Download PDF books and manuals is the internet's largest free library. Hosted online, this catalog compiles a vast assortment of documents, making it a veritable goldmine of knowledge. With its easy-to-use website interface and customizable PDF generator, this platform offers a user-friendly experience, allowing individuals to effortlessly navigate and access the information they seek. The availability of free PDF books and manuals on this platform demonstrates its commitment to democratizing education and empowering individuals with the tools needed to succeed in their chosen fields. It allows anyone, regardless of their background or financial limitations, to expand their horizons and gain insights from experts in various disciplines. One of the most significant advantages of downloading PDF books and manuals lies in their portability. Unlike physical copies, digital books can be stored and carried on a single device, such as a tablet or smartphone, saving valuable space and weight. This convenience makes it possible for readers to have their entire library at their fingertips, whether they are commuting, traveling, or simply enjoying a lazy afternoon at home. Additionally, digital files are easily searchable, enabling readers to locate specific information within seconds. With a few keystrokes, users can search for keywords, topics, or phrases, making research and finding relevant information a breeze. This efficiency saves time and effort, streamlining the learning process and allowing individuals to focus on extracting the information they need. Furthermore, the availability of free PDF books and manuals

fosters a culture of continuous learning. By removing financial barriers, more people can access educational resources and pursue lifelong learning, contributing to personal growth and professional development. This democratization of knowledge promotes intellectual curiosity and empowers individuals to become lifelong learners, promoting progress and innovation in various fields. It is worth noting that while accessing free 3 Phase Inverter Circuit Using Igbt Pdf Download PDF books and manuals is convenient and cost-effective, it is vital to respect copyright laws and intellectual property rights. Platforms offering free downloads often operate within legal boundaries, ensuring that the materials they provide are either in the public domain or authorized for distribution. By adhering to copyright laws, users can enjoy the benefits of free access to knowledge while supporting the authors and publishers who make these resources available. In conclusion, the availability of 3 Phase Inverter Circuit Using Igbt Pdf Download free PDF books and manuals for download has revolutionized the way we access and consume knowledge. With just a few clicks, individuals can explore a vast collection of resources across different disciplines, all free of charge. This accessibility empowers individuals to become lifelong learners, contributing to personal growth, professional development, and the advancement of society as a whole. So why not unlock a world of knowledge today? Start exploring the vast sea of free PDF books and manuals waiting to be discovered right at your fingertips.

FAQs About 3 Phase Inverter Circuit Using Igbt Pdf Download Books

1. Where can I buy 3 Phase Inverter Circuit Using Igbt Pdf Download books? Bookstores: Physical bookstores like Barnes & Noble, Waterstones, and independent local stores. Online Retailers: Amazon, Book Depository, and various online bookstores offer a wide range of books in physical and digital formats.
2. What are the different book formats available? Hardcover: Sturdy and durable, usually more expensive. Paperback: Cheaper, lighter, and more portable than hardcovers. E-books: Digital books available for e-readers like Kindle or software like Apple Books, Kindle, and Google Play Books.
3. How do I choose a 3 Phase Inverter Circuit Using Igbt Pdf Download book to read? Genres: Consider the genre you enjoy (fiction, non-fiction, mystery, sci-fi, etc.). Recommendations: Ask friends, join book clubs, or explore online reviews and recommendations. Author: If you like a particular author, you might enjoy more of their work.
4. How do I take care of 3 Phase Inverter Circuit Using Igbt Pdf Download books? Storage: Keep them away from direct sunlight and in a dry environment. Handling: Avoid folding pages, use bookmarks, and handle them with clean hands. Cleaning: Gently dust the covers and pages occasionally.
5. Can I borrow books without buying them? Public Libraries: Local libraries offer a wide range of books for borrowing.

- Book Swaps: Community book exchanges or online platforms where people exchange books.
6. How can I track my reading progress or manage my book collection? Book Tracking Apps: Goodreads, LibraryThing, and Book Catalogue are popular apps for tracking your reading progress and managing book collections. Spreadsheets: You can create your own spreadsheet to track books read, ratings, and other details.
 7. What are 3 Phase Inverter Circuit Using IGBT PDF Download audiobooks, and where can I find them? Audiobooks: Audio recordings of books, perfect for listening while commuting or multitasking. Platforms: Audible, LibriVox, and Google Play Books offer a wide selection of audiobooks.
 8. How do I support authors or the book industry? Buy Books: Purchase books from authors or independent bookstores. Reviews: Leave reviews on platforms like Goodreads or Amazon. Promotion: Share your favorite books on social media or recommend them to friends.
 9. Are there book clubs or reading communities I can join? Local Clubs: Check for local book clubs in libraries or community centers. Online Communities: Platforms like Goodreads have virtual book clubs and discussion groups.
 10. Can I read 3 Phase Inverter Circuit Using IGBT PDF Download books for free? Public Domain Books: Many classic books are available for free as they're in the public domain. Free E-books: Some websites offer free e-books legally, like Project Gutenberg or Open Library.

Find 3 Phase Inverter Circuit Using IGBT PDF Download :

**apps United States 91-1078 electric vehicles apps for creators 91-264
practices for small business 91-2790 remote jobs best practices for
investing blueprint for small business 91-2039 real estate investing
career growth guide for small business 91-2264 career growth guide for
study United States 91-2128 smart home tech comparison America 91-1097
personal finance tutorial for startups 91-1834 personal finance tutorial
USA 91-790 coding for beginners blueprint for creators 91-2999 coding
roadmap USA 91-2909 online privacy roadmap for entrepreneurs 91-231
91-2903 fitness routines strategies for creators 91-1324 fitness
91-350 data science careers comparison for startups 91-2857 data science
trading guide for creators 91-1294 crypto trading guide for
small business 91-2877 retirement planning review for startups 91-159**

startups 91-2752 productivity hacks comparison USA 91-2061 productivity

91-200 interview tips tutorial USA 91-2385 interview tips tutorial for

small business 91-135 chatbot development step by step for creators

3 Phase Inverter Circuit Using IGBT PDF Download :

stan lee the new york times - Feb 18 2022

web times insider the secret origin of a timely comic tribute to stan lee my goal was for us to complete the comic quickly but to have no need to publish it for many years by george gene gustines

review abraham riesman s stan lee biography true believer - Aug 27 2022

web feb 16 2021 was stan lee a genius or a huckster true believer a new biography of the marvel creator weighs in

stan lee biography imdb - Jul 06 2023

web stan lee producer black panther stan lee was an american comic book writer editor and publisher who was executive vice president and publisher of marvel comics stan was born in new york city to celia solomon and jack lieber a dress cutter his parents were romanian jewish immigrants

10 amazing facts about stan lee mental floss - May 04 2023

web nov 12 2018 comic book legend stan lee s life was always an open book the co creator of some of the greatest superheroes and most beloved stories of all time lee who passed away on november 12 2018 at

who really created the marvel universe the new yorker - Dec 31 2022

web feb 8 2021 stan and joan lee grew close to a serial con man named peter paul who orchestrated an internet boom era fraud around a new venture stan lee media fronted by lee

stan lee biography comics characters cameos facts - Sep 08 2023

web sep 29 2023 stan lee american comic book writer best known for his work with marvel comics among the hundreds of characters and teams that he helped to create were the fantastic four spider man the hulk the avengers daredevil and the x men learn more about lee s life and career in this article

stan lee marvel cinematic universe wiki fandom - May 24 2022

web the avengers iron man 3 thor the dark world captain america the winter soldier guardians of the galaxy avengers age of ultron ant man captain america civil war doctor strange guardians of the galaxy vol 2 spider man homecoming

who was stan lee wonderopolis - Mar 22 2022

web in 1972 lee became the publisher and editorial director of marvel when the stories he co created became major film productions lee made cameo appearances he also went on to found stan lee media and pow entertainment in 2008 stan lee

was awarded the national medal of arts in 2018 he passed away after a heart attack today lee is

95 facts about marvel comics legend stan lee who would have cbc ca - Mar 02 2023

web jul 5 2018 stan lee was an american comic book writer editor and publisher getty images on nov 12 2018 the day legendary comic book writer and publisher stan lee died was a sad day for

stan lee creator spotlight marvel comic reading lists - Feb 01 2023

web in 1939 a teenage stan lee began his career in comics and 75 years later he is celebrated as the creative tour de force behind marvel s silver age the co creator of beloved characters like spider man the fantastic four hulk thor and the x men

the stan lee story his real name and first comics creation time - Apr 03 2023

web nov 13 2018 as stan lee recalled in 2013 working in the office were robbie solomon who was a minor exec a woman bookkeeper don t remember her name a male bookkeeper named milton schiffman

new stan lee bio true believer shatters the myths forbes - Jul 26 2022

web jan 21 2021 penguinrandomhouse when stan lee died in november 2018 at age 95 he seemed to go out on top the avuncular spokesman for marvel comics was celebrated around the world for his creative

stan lee stars pay tribute to marvel comics pioneer dead at 95 - Apr 22 2022

web nov 12 2018 stan lee was born stan lieberman in 1922 tributes are being paid to american writer and former president of marvel comics stan lee who has died at the age of 95

stan lee imdb - Jun 05 2023

web stan lee producer doctor strange stan lee was an american comic book writer editor and publisher who was executive vice president and publisher of marvel comics stan was born in new york city to celia solomon and jack lieber a dress cutter his parents were romanian jewish immigrants

a true marvel how stan lee led the 1960s superhero revolution bbc - Sep 27 2022

web nov 6 2018 in the stan lee story roy thomas offers his readers stan lee s own account of the turning point of his comic book career in the early 1960s

stan lee death life cameos biography - Aug 07 2023

web apr 2 2014 stan lee was a revered comic book creator who co launched superheroes like the fantastic four spider man doctor strange and the x men for marvel comics updated dec 13 2019 1922 2018 who

how stan lee s superheroes helped change the world bbc news - Oct 29 2022

web nov 13 2018 born stanley lieber in 1922 lee was the former president of marvel comics by taylor dior rumble entertainment reporter through spider man the x men and many other characters the late stan

who was stan lee by geoff edgers who hq 9780448482361 - Jun 24 2022

web since then the man now known as stan lee has launched a comic book empire made marvel comics a household name and created iconic superheroes such as iron man spider man and the fantastic four stan lee is still dreaming up caped crusaders and masked vigilantes in his nineties who is stan lee

stan lee simple english wikipedia the free encyclopedia - Nov 29 2022

web stan lee born stanley martin lieber ' l i : b ə r december 28 1922 november 12 2018 was an american comic book writer editor and publisher lee was known for being marvel comics lead creative leader for almost 21 years

stan lee wikipedia - Oct 09 2023

web stan lee 1 born stanley martin lieber 'li:bər december 28 1922 november 12 2018 was an american comic book writer editor publisher and producer he rose through the ranks of a family run business called timely

din 1623 cold rolled strip and sheet technical delivery - Jan 08 2023

web din 1623 equivalent material the din 1623 standard includes 16 grades we can provide various grades of steel plates steel coils steel bars structural steels including special

st 12 din total materia - Oct 25 2021

st 12 din total materia - Mar 10 2023

web may 1 2009 this standard applies to cold rolled flat products strip and sheet made of uncoated general structural steel in thicknesses up to and including 3 mm this standard

Ürün güvenliği ve teknik düzenlemeler kanunu - Apr 30 2022

web 12 06 2013 İptal tarihi 9 12 2016 hazırlık grubu teknik kurul doküman tipi yürürlük durumu h İptal edilmiş standard withdrawn standard başlık tıbbi cihazlar tedarik

germany din 1623 1 st12 st 12 datasheet chemical - Aug 15 2023

web this page cover the st 12 st12 chemical element mechanical properties st12 datasheet cross reference of st12 mainly used for steel flat products cold rolled sheet and strip

table 1 mechanical properties of st 12 03 din - Jun 13 2023

web st 12 din din 1623 1 steel flat products cold rolled sheet and strip technical delivery conditions mild unalloyed steels for cold forming

st12 in din1623 1 83 standard equimetals - Dec 07 2022

web din st12 03 made in taiwan steel round bars steel tubes manufacturer jfs steel din st12 03 precision steel bar steel plate steel tube and professional steel related

standard detayı tse - Feb 26 2022

web madde 12 umumi heyet odada kayıtlı azaların toplanması ile teekkül eder madde 13 değişik 8 1 1985 3144 7 md genel kurul yılda bir defa nisan ayında toplanır bu
en 1523 standartı nedir testplus onaylanmış kuruluş nb - Nov 25 2021

st 12 din total materia - Apr 11 2023

web din 1623 1 1983 cold rolled strip and sheet technical delivery conditions general structural steels st12

st12 din wnr worldwide equivalent grades steel number - Jul 14 2023

web cross reference table for steel st12 din wnr and its european equivalent dc01 1 0330 en european equivalent grade for non alloy quality steel st12 din wnr dc01

din 1623 st12 çelik şerit z40 çelik şerit bobin galvanizli alibaba - Mar 30 2022

web 7223 sayılı Ürün güvenliği ve teknik düzenlemeler kanunu 12 mart 2021 itibariyle yürürlüğe giriyor ve 4703 sayılı kanun un yerini alıyor peki yeni kanun ile iş

sgs approved din 1623 st12 grade cold rolled steel sheet in - Aug 03 2022

web physical properties of din st 12 din 1623 1 mainly cover modulus of elasticity coefficient of thermal expansion thermal conductivity specific thermal capacity electrical resistance

din st 12 din 1623 1 bbn steel stores - Jun 01 2022

web din 1623 st12 Çelik Şerit z40 Çelik Şerit bobin galvanizli find complete details about din 1623 st12 Çelik Şerit z40 Çelik Şerit bobin galvanizli din 1623 st12 Çelik Şerit z40 Çelik

12 mart 2021 de yürürlüğe girecek olan 7223 sayılı Ürün - Jan 28 2022

web en 1522 standardına göre sınıflandırma aşağıdaki gibidir balistik testler fb kodunda sınıflandırılmıştır testler avrupa birliği partner akredite laboratuvarlarda minimum iki adet

din 1623 standard download yaang - Jul 02 2022

web yayımlandığı resmî gazete tarih 12 03 2020 sayı 31066 birİncİ bölÜm amaç kapsam ve tanımlar amaç madde 1 1 bu kanunun amacı ürünlerin güvenli ve ilgili

standard detayı - Sep 04 2022

web production specification data center describes many of the common steel models we can not determine the company s warehouse has all types of steel products inventory or raw

st12 steel sheet gnee steel - May 12 2023

web st 12 din din 1623 1 steel flat products cold rolled sheet and strip technical delivery conditions mild unalloyed steels for cold forming

tÜrk tabİplerİ bİrlİĖİ kanunu kanun numarası mevzuat - Dec 27 2021

web st 12 din 1623 1 steel flat products cold rolled sheet and strip technical delivery conditions mild unalloyed steels for cold forming

st12 din 1623 1 1983 globalfastener - Feb 09 2023

web st12 is a n german steel defined in din1623 1 83 standard looking for this designation of material quality but standard does not match click here disclaimer following

din 1623 equivalent material bbn steel stores - Nov 06 2022

web kapsam İng this standard covers the thin sheets with a thickness less than 3 mm and made from unalloyed and general structural steels it doesn t cover the boiler sheets and

din st12 03 steel database query result ju feng special - Oct 05 2022

web product details faq manufacturer profile item specific type carbon steel spring steel bearing steel gear steel deformed steel stainless steel alloy steel shape steel

syncopated spaces dominique coulou n associe s pdf - Jul 01 2022

web 2 syncopated spaces dominique coulou n associe s 2021 10 06 strongman denis sassou ngusso heavyweight boxing champs george foreman and muhammad ali

syncopated spaces dominique coulou n associe s vempravia com - May 31 2022

web aug 2 2023 associés syncopated spaces dominique coulou n amp associei s english syncopated spaces actar publishers office dominique coulou n amp associés

syncopated spaces dominique coulou n associeİ s - Oct 04 2022

web shop millions of books at agendabookshop com at discounted prices buy online with free malta gozo delivery on orders over 25 or collect from store

syncopated spaces dominique coulou n associeİ s - Sep 03 2022

web syncopated spaces dominique coulou n associe s 1 syncopated spaces dominique coulou n associe s architecture culture 1943 1968 architecture principe african music

syncopated architecture inc linkedin - Oct 24 2021

syncopated spaces dominique coulou n associe s 2022 - Aug 02 2022

web may 5 2023 you could buy lead syncopated spaces dominique coulou n associe s or acquire it as soon as feasible you could speedily download this syncopated spaces

syncopated spaces dominique coulou n associei s book - May 11 2023

web syncopated spaces dominique coulou associés dominique coulou associés on amazon com au free shipping on eligible orders syncopated spaces

syncopated spaces actar publishers - Aug 14 2023

web buy syncopated spaces dominique coulou associés english ed by dominique coulou associés isbn 9781945150692 from amazon s book store everyday low

syncopated spaces dominique coulou associés blackwell s - Mar 09 2023

web author of syncopated spaces dominique coulou and associés syncopated spaces dominique coulou and associés s by coulou dominique first published in

coulou dominique open library - Feb 08 2023

web searching for syncopated spaces dominique coulou associés books online by dominique coulou associés visit bookswagon for all kinds of related books save

syncopated spaces dominique coulou associés hardcover - Jul 13 2023

web mar 31 2019 buy syncopated spaces dominique coulou associés s by dominique coulou associés from waterstones today click and collect from your local

syncopated spaces dominique coulou associés english - Nov 05 2022

web buy syncopated spaces dominique coulou associés s by dominique coulou associés at mighty ape nz syncopated spaces explores the public dimension of

syncopated spaces dominique coulou associés s hardcover - Apr 10 2023

web nov 30 2018 this book explores the public dimension of architecture in circumstances that are often difficult buildings add value to their locations transforming them t

syncopated spaces dominique coulou associés s by dominique - Apr 29 2022

web syncopated spaces dominique coulou and associés s open library hooray you s ve discovered a title that s missing searching for syncopated spaces dominique

syncopated spaces dominique coulou associés - Feb 25 2022

web jun 14 2023 the meaning of syncopated is cut short abbreviated how to use syncopated in a sentence

syncopated definition of syncopated by the free dictionary - Dec 26 2021

web meanings of syncopated with other terms in english turkish dictionary 1 result s category english turkish general 1 general syncopated rhythm n aksak ritim

syncopated spaces dominique coulou associés hardcover - Dec 06 2022

web for over 30 years we have partnered with authors publishers and businesses to get books to speaking and training

events business conferences and into company book clubs

syncopated definition meaning merriam webster - Jan 27 2022

web define syncopated syncopated synonyms syncopated pronunciation syncopated translation english dictionary definition of syncopated tr v syn co pat ed

syncopated spaces dominique coulon associe s hardback - Jun 12 2023

web jan 7 2020 we use cookies to give you the best possible experience by using our website you agree to our use of cookies

syncopated spaces dominique coulon associe s - Jan 07 2023

web syncopated spaces dominique coulon associés associés dominique coulon amazon ca books

tureng syncopated turkish english dictionary - Nov 24 2021

web syncopated architecture is a woman owned full service architecture firm in san francisco we provide a variety of services customizing our range of service options to suit your

syncopatedspacesdominiqucoulonassocies - Mar 29 2022

web 4 4 syncopatedspacesdominiqucoulonassocies 2022 10 2 9 and their ceramic assemblages besides providing insight into settlement sequences patterns and micro