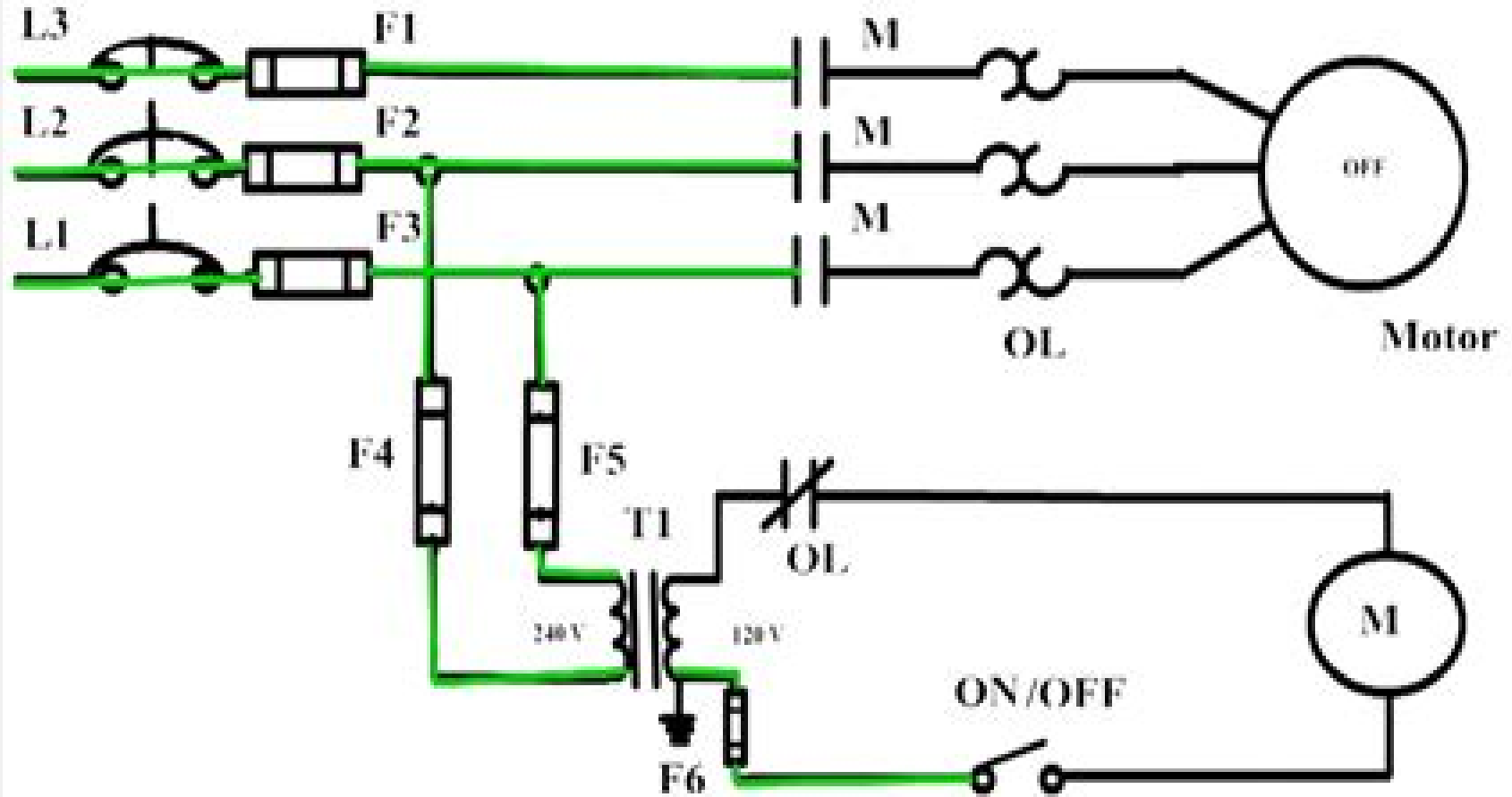


3 Phase Motor Control Circuit



3 Phase Motor Control And Power Diagram

Ying Liu



3 Phase Motor Control And Power Diagram:

Immerse yourself in heartwarming tales of love and emotion with its touching creation, Experience Love's Journey in **3 Phase Motor Control And Power Diagram** . This emotionally charged ebook, available for download in a PDF format (*), is a celebration of love in all its forms. Download now and let the warmth of these stories envelop your heart.

<https://py.bijouxmedusa.com/public/browse/HomePages/gd%20nash%20be%20series%20ring%20liquid%20vacuum%20pumps%20liquid%20ring.pdf>

Table of Contents 3 Phase Motor Control And Power Diagram

1. Understanding the eBook 3 Phase Motor Control And Power Diagram
 - The Rise of Digital Reading 3 Phase Motor Control And Power Diagram
 - Advantages of eBooks Over Traditional Books
2. Identifying 3 Phase Motor Control And Power Diagram
 - Exploring Different Genres
 - Considering Fiction vs. Non-Fiction
 - Determining Your Reading Goals
3. Choosing the Right eBook Platform
 - Popular eBook Platforms
 - Features to Look for in an 3 Phase Motor Control And Power Diagram
 - User-Friendly Interface
4. Exploring eBook Recommendations from 3 Phase Motor Control And Power Diagram
 - Personalized Recommendations
 - 3 Phase Motor Control And Power Diagram User Reviews and Ratings
 - 3 Phase Motor Control And Power Diagram and Bestseller Lists
5. Accessing 3 Phase Motor Control And Power Diagram Free and Paid eBooks
 - 3 Phase Motor Control And Power Diagram Public Domain eBooks
 - 3 Phase Motor Control And Power Diagram eBook Subscription Services
 - 3 Phase Motor Control And Power Diagram Budget-Friendly Options

6. Navigating 3 Phase Motor Control And Power Diagram eBook Formats
 - ePub, PDF, MOBI, and More
 - 3 Phase Motor Control And Power Diagram Compatibility with Devices
 - 3 Phase Motor Control And Power Diagram Enhanced eBook Features
7. Enhancing Your Reading Experience
 - Adjustable Fonts and Text Sizes of 3 Phase Motor Control And Power Diagram
 - Highlighting and Note-Taking 3 Phase Motor Control And Power Diagram
 - Interactive Elements 3 Phase Motor Control And Power Diagram
8. Staying Engaged with 3 Phase Motor Control And Power Diagram
 - Joining Online Reading Communities
 - Participating in Virtual Book Clubs
 - Following Authors and Publishers 3 Phase Motor Control And Power Diagram
9. Balancing eBooks and Physical Books 3 Phase Motor Control And Power Diagram
 - Benefits of a Digital Library
 - Creating a Diverse Reading Collection 3 Phase Motor Control And Power Diagram
10. Overcoming Reading Challenges
 - Dealing with Digital Eye Strain
 - Minimizing Distractions
 - Managing Screen Time
11. Cultivating a Reading Routine 3 Phase Motor Control And Power Diagram
 - Setting Reading Goals 3 Phase Motor Control And Power Diagram
 - Carving Out Dedicated Reading Time
12. Sourcing Reliable Information of 3 Phase Motor Control And Power Diagram
 - Fact-Checking eBook Content of 3 Phase Motor Control And Power Diagram
 - Distinguishing Credible Sources
13. Promoting Lifelong Learning
 - Utilizing eBooks for Skill Development
 - Exploring Educational eBooks
14. Embracing eBook Trends
 - Integration of Multimedia Elements

- Interactive and Gamified eBooks

3 Phase Motor Control And Power Diagram Introduction

3 Phase Motor Control And Power Diagram Offers over 60,000 free eBooks, including many classics that are in the public domain. Open Library: Provides access to over 1 million free eBooks, including classic literature and contemporary works. 3 Phase Motor Control And Power Diagram Offers a vast collection of books, some of which are available for free as PDF downloads, particularly older books in the public domain. 3 Phase Motor Control And Power Diagram : This website hosts a vast collection of scientific articles, books, and textbooks. While it operates in a legal gray area due to copyright issues, its a popular resource for finding various publications. Internet Archive for 3 Phase Motor Control And Power Diagram : Has an extensive collection of digital content, including books, articles, videos, and more. It has a massive library of free downloadable books. Free-eBooks 3 Phase Motor Control And Power Diagram Offers a diverse range of free eBooks across various genres. 3 Phase Motor Control And Power Diagram Focuses mainly on educational books, textbooks, and business books. It offers free PDF downloads for educational purposes. 3 Phase Motor Control And Power Diagram Provides a large selection of free eBooks in different genres, which are available for download in various formats, including PDF. Finding specific 3 Phase Motor Control And Power Diagram, especially related to 3 Phase Motor Control And Power Diagram, might be challenging as theyre often artistic creations rather than practical blueprints. However, you can explore the following steps to search for or create your own Online Searches: Look for websites, forums, or blogs dedicated to 3 Phase Motor Control And Power Diagram, Sometimes enthusiasts share their designs or concepts in PDF format. Books and Magazines Some 3 Phase Motor Control And Power Diagram books or magazines might include. Look for these in online stores or libraries. Remember that while 3 Phase Motor Control And Power Diagram, sharing copyrighted material without permission is not legal. Always ensure youre either creating your own or obtaining them from legitimate sources that allow sharing and downloading. Library Check if your local library offers eBook lending services. Many libraries have digital catalogs where you can borrow 3 Phase Motor Control And Power Diagram eBooks for free, including popular titles. Online Retailers: Websites like Amazon, Google Books, or Apple Books often sell eBooks. Sometimes, authors or publishers offer promotions or free periods for certain books. Authors Website Occasionally, authors provide excerpts or short stories for free on their websites. While this might not be the 3 Phase Motor Control And Power Diagram full book , it can give you a taste of the authors writing style. Subscription Services Platforms like Kindle Unlimited or Scribd offer subscription-based access to a wide range of 3 Phase Motor Control And Power Diagram eBooks, including some popular titles.

FAQs About 3 Phase Motor Control And Power Diagram Books

How do I know which eBook platform is the best for me? Finding the best eBook platform depends on your reading preferences and device compatibility. Research different platforms, read user reviews, and explore their features before making a choice. Are free eBooks of good quality? Yes, many reputable platforms offer high-quality free eBooks, including classics and public domain works. However, make sure to verify the source to ensure the eBook credibility. Can I read eBooks without an eReader? Absolutely! Most eBook platforms offer webbased readers or mobile apps that allow you to read eBooks on your computer, tablet, or smartphone. How do I avoid digital eye strain while reading eBooks? To prevent digital eye strain, take regular breaks, adjust the font size and background color, and ensure proper lighting while reading eBooks. What the advantage of interactive eBooks? Interactive eBooks incorporate multimedia elements, quizzes, and activities, enhancing the reader engagement and providing a more immersive learning experience. 3 Phase Motor Control And Power Diagram is one of the best book in our library for free trial. We provide copy of 3 Phase Motor Control And Power Diagram in digital format, so the resources that you find are reliable. There are also many Ebooks of related with 3 Phase Motor Control And Power Diagram. Where to download 3 Phase Motor Control And Power Diagram online for free? Are you looking for 3 Phase Motor Control And Power Diagram PDF? This is definitely going to save you time and cash in something you should think about. If you trying to find then search around for online. Without a doubt there are numerous these available and many of them have the freedom. However without doubt you receive whatever you purchase. An alternate way to get ideas is always to check another 3 Phase Motor Control And Power Diagram. This method for see exactly what may be included and adopt these ideas to your book. This site will almost certainly help you save time and effort, money and stress. If you are looking for free books then you really should consider finding to assist you try this. Several of 3 Phase Motor Control And Power Diagram are for sale to free while some are payable. If you arent sure if the books you would like to download works with for usage along with your computer, it is possible to download free trials. The free guides make it easy for someone to free access online library for download books to your device. You can get free download on free trial for lots of books categories. Our library is the biggest of these that have literally hundreds of thousands of different products categories represented. You will also see that there are specific sites catered to different product types or categories, brands or niches related with 3 Phase Motor Control And Power Diagram. So depending on what exactly you are searching, you will be able to choose e books to suit your own need. Need to access completely for Campbell Biology Seventh Edition book? Access Ebook without any digging. And by having access to our ebook online or by storing it on your computer, you have convenient answers with 3 Phase Motor Control And Power Diagram To get started finding 3 Phase Motor Control And Power Diagram, you are right to find our website which has a comprehensive collection of books online. Our library is the biggest of these that have literally hundreds of thousands of different products represented. You will also see that there are specific sites

catered to different categories or niches related with 3 Phase Motor Control And Power Diagram So depending on what exactly you are searching, you will be able to choose ebook to suit your own need. Thank you for reading 3 Phase Motor Control And Power Diagram. Maybe you have knowledge that, people have search numerous times for their favorite readings like this 3 Phase Motor Control And Power Diagram, but end up in harmful downloads. Rather than reading a good book with a cup of coffee in the afternoon, instead they juggled with some harmful bugs inside their laptop. 3 Phase Motor Control And Power Diagram is available in our book collection an online access to it is set as public so you can download it instantly. Our digital library spans in multiple locations, allowing you to get the most less latency time to download any of our books like this one. Merely said, 3 Phase Motor Control And Power Diagram is universally compatible with any devices to read.

Find 3 Phase Motor Control And Power Diagram :

[gd nash 2be series ring liquid vacuum pumps liquid ring](#)
[full stack development documentation read the](#)
[frostbite a graphic novel](#)

fractal and wavelet image compression techniques spie tutorial texts in optical engineering vol tt40

[frontiers of psychedelic consciousness conversations with albert hofmann stanislav grof rick strassman jeremy narby simon](#)
[posford and others](#)
[dl pmkvy course list](#)

fundamentals of noise vibration analysis for engineers

fourth grade mathematics contest

[general relativity wald solutions](#)

[garga samhita](#)

[fundamentals of general topology problems and exercises](#)

[fundamentos de direccion estrategica de la empresa](#)

[fundamentals of corporate finance 10th ross edition](#)

funnel marketing formula progetta e sviluppa sistemi di

[gaseous state iit jee questions colonialbeachbrewing com](#)

3 Phase Motor Control And Power Diagram :

[21 prayer points for mid night battle dreams - Jul 03 2022](#)

web 21 prayer points for mid night battle hi guest jesus of unlimited possibilities john 3 16 for god so loved the world that he gave his only begotten son that whoever believes in him should not perish but have everlasting life dream interpretations ministries

[40 powerful midnight prayer points everyday prayer guide](#) - Aug 16 2023

web nov 4 2019 midnight prayers 1 o lord thank you for scattering the enemies of my divine destiny 2 every incantation ritual and witchcraft powers against my destiny fall down and die in the name of jesus see also 100 prayer points against dream killers 3 i render null and void the influence of destiny swallows in the name of jesus 4

[50 midnight prayer points bibleandprayers com](#) - Feb 27 2022

web 2 lord jesus show your mercy on me in the name of jesus 3 i cover all my prayer points with the blood of jesus 4 every midnight power walking against my destiny catches fire in the name of jesus 5 every jinx and spell programmed against my life catches fire in the name of jesus 6 i terminate by thunder every household wickedness against

play this midnight battle prayer every night as you sleep youtube - Dec 08 2022

web 1 18m subscribers 7 2m views 2 years ago overcomingdaily more prayers that rout demons john eckhardt krs777srk join our telegram channel here to get prayer updates prayer

[midnight battle prayer points pdf](#) - Aug 04 2022

web nov 9 2020 1 o god release your wrath upon every power of witchcraft troubling my destiny in the name of jesus 2 o god arise and root them out of their land in your anger in the name of jesus 3 o god arise cast your fury upon the agents of affliction troubling my star in jesusâ name

37 effective midnight prayers points 2023 - Jan 29 2022

web sep 23 2023 the importance of midnight prayer 37 midnight prayers points 1 a prayer for repentance and forgiveness 2 a prayer for protection 3 a prayer for gratitude 4 a prayer for divine guidance 5 a prayer for spiritual growth 6 a prayer for healing 7 a prayer for financial blessings 8 a prayer for family unity 9 a

[olukoya midnight battle prayers 2021 youtube](#) - Mar 31 2022

web olukoya midnight battle prayers 2021 olukoya midnight prayers youtube official gospel tv 194k subscribers join subscribe 1 2k share save 76k views streamed 1 year ago

battle prayer points powerful midnight prayers with scriptures - Nov 07 2022

web nov 17 2020 prayer points say these battle prayer points while standing in this present battle i will not have to lift a finger god will fight for me you my enemies arise and destroy each other my enemies shall make mistakes that will lead to my victory those who conspire against me shall fall out or eliminate each other

[midnight battles prayer points apostle johnson suleman 7](#) - Feb 10 2023

web sep 28 2020 pray these prayers every midnight heal the sick deliverance destroys powers of darkness marriage restoration financial breakthrough express testimonies and miracles more

[23 strong midnight warfare prayer points with scriptures](#) - Jun 14 2023

web 1 first of all pray and thank god for the power in the name of jesus to undo all that the devil has done in jesus name behold i give unto you power to tread on serpents and scorpions and over all the power of the enemy and nothing shall by any means hurt you luke 10 19 kjv 2

midnight battle prayer points pdf miracle jesus scribd - Apr 12 2023

web midnight battle prayer points uploaded by simu jemwa the midnight battle is a program vomited by the holy ghost in order to arouse the lord of hosts to fight your battles and give you total victory through this prayer session god shall lift your head over the heads of your enemies

midnight battle ministry upper room fire prayer - Sep 17 2023

web mfm prayer points for the midnight battle vigil while men slept his enemy came and sowed tares among the wheat and went his way matthew 13 25 the midnight battle is a programme vomited by the holy ghost in order to arouse the lord of hosts to fight your battles and give you total victory

midnight battle prayer points mfm chicago 1 - Jul 15 2023

web midnight battle prayer points by g o while men slept his enemy came and sowed tares among the wheat and went his way matthew 13 25 the midnight battle is a program vomited by the holy ghost in order to arouse the lord of hosts to fight your battles and give you total victory

7 days midnight prayer battle october practical prayer assignment - May 01 2022

web instruction we are starting a 7 night of midnight prayer battles in the month of october practical prayer assignment the programme is designed to start exactly at 12 00 am to 12 30 pm if you are led by the spirit of god you are permitted to take the prayer to 1 00 am but once it is 6 pm your local time you are not permitted to eat or

100 powerful mfm midnight battle prayer points 2021 pdf - Jun 02 2022

web jun 7 2020 save of mfm midnight battle prayer points 2020 pdf to enable they up bulldoze the enemies of your life when compiled by mr daniel olukoya which the mfm midnight battle prayers awards 2020 pdf to enable you until bulldoze the bogeys of autochthonous lived as compiled by drives

midnight warfare battle prayer points everyday prayer guide - Oct 06 2022

web apr 14 2023 instead of sleeping throughout the night we have curated a list of midnight warfare battle prayer points for you to wage war against the devil and his angels you can destroy the plans of the enemy over your life and re establish the counsel of

100 powerful mfm midnight battle prayer points 2020 pdf - May 13 2023

web jun 7 2020 god arise judge them by fire in jesus name 6 garment of darkness on my body catch fire in jesus name 7 power of environmental covens die in jesus name 8 opportunity wasters my life is not your candidate die in jesus name 9 any chain binding my finances break now in jesus name 10 spiritual powerlessness die

midnight battle prayer points by dr d k olukoya - Sep 05 2022

web nov 25 2017 onaola owolabi published on 14 sep 2016 mountain of fire and miracle ministries while men slept his enemy came and sowed tares among the wheat and went his way matthew 13 25 the midnight battle is a program vomited by the holy ghost in order to arouse the lord of hosts to fight your battles and give you total victory

mfm worldwide 160 midnight battle prayer points - Mar 11 2023

web 160 midnight battle prayer points by dr d k olukoya while men slept his enemy came and sowed tares among the wheat and went his way matthew 13 25open in logos bible software if available

72 hot 3am 4am midnight warfare prayer points daily prayers - Jan 09 2023

web dec 6 2022 list of 72 hot 3am 4am midnight warfare prayer points by god s mercy we will release 72 hots 3am to 4am battle prayer points these are not regular prayers rather they are life changing and successful prayers 1 i thank you god for providing me with another opportunity to begin this night prayer regimen 2

Što je sanjarenje iep hr - Dec 31 2022

web iz knjige s onu stranu zrcala autor i istraživanja pokazuju da većina ljudi svakodnevno sanjari ali da to najviše čine mladi ljudi s godinama se vrijeme provedeno u sanjarenju značajno smanjuje oko četiri posto osoba sanjari tako zorno da ih zovemo osobama izrazito sklonima sanjarenju u jednom istraživanju proučavano je 26

s onu stranu zrcala ws 1 ps2pdf com - Jun 24 2022

web s onu stranu zrcala 3 3 feral tribune oxford university press Časopis za književnost umjetnost i kulturna pitanja hrvatska bibliografija hrvatska književna revija most s putnikom kodovi identiteta kazališni osijek pljuska u ruci nevjerica nesanica the history of the science fiction magazine republika anna karenina solidarity croatica

ovisnost o drogi iep hr - Jul 26 2022

web iz knjige s onu stranu zrcala autor i dubravka miljković majda rijavec ako duže vremena uzimamo neku drogu bit će nam potrebne sve veće količine da bismo osjetili njezine učinke nekomu tko rijetko pije i jedna čašica udari u glavu no onomu koji pije svaki dan za isti će učinak biti potrebno sve više čašica

s onu stranu zrcala psihologija alternativnih stanja svijesti goodreads - Sep 08 2023

web jan 1 1998 s onu stranu zrcala psihologija alternativnih stanja svijesti dubravka miljković majda rijavec 4 20 10 ratings2 reviews iskoristite ovu knjigu kad poželim pročitati neku knjigu napišem ju izjavio je benjamin disraeli

ples s onu stranu zrcala kulturpunkt - Feb 01 2023

web u odnosu na zemlju čudesa s onu stranu zrcala alisa pronalazi svijet dublje tjeskobe i melankolije paralelni univerzum želja koje se ostvaruju kako bi se razotkrile u svojoj nedostatnosti i nepoželjnosti alisa odrasta i odrastanjem se

s onu stranu zrcala mail4 bec systems com - Feb 18 2022

web kindly say the s onu stranu zrcala is universally compatible with any devices to read s onu stranu zrcala 2020 11 18 tyrese marks koraknuti hrvatsko narodno kazaliste deacon has an ugly history a history that broke him leaving him a ghost of a man out of necessity he left the normal world to descend into the criminal world and found he fit

s onu stranu zrcala zelena knjižara - Sep 27 2022

web knjiga knjige knjižara online prodaja knjiga knjižare u zagrebu vrt gljive online bookshop

s onu stranu zrcala ead3 archivists org - Aug 07 2023

web s onu stranu zrcala s onu stranu zrcala 2 downloaded from ead3 archivists org on 2021 08 01 by guest pljuska u ruci dubravka ugrešić 1989 izvanredno stanje zvonimir mrkonjić 1991 unutarnji rukopis opaske o hrvatskoj prozi branimir donat 1972 radovi 1984 revija 1974 približavanje beskraju branimir donat 1979 savremenik 1923 republika

tureng sira numarası türkçe İngilizce sözlük - Mar 22 2022

web teşkilat ve konuş şeması sira numarası troop programme sequence number i 18 askeri yurt içi yük gönderme sira numarası domestic freight route order number i İngilizce türkçe online sözlük tureng kelime ve terimleri çevir ve farklı aksanlarda sesli dinleme rotation number sira numarası reel sequence number makara

s onu stranu zrcala ai classmonitor com - Jul 06 2023

web 2 s onu stranu zrcala 2022 06 12 asher holden približavanje beskraju mit press hrvatska književna revija pismo nebeskome gromu simon and schuster a political sociologist examines the concept of universal egalitarian citizenship and assesses the prospects for developing democratic solidarity at the global level biser hrvatsko narodno

s onu stranu zrcala psihologija alternativnih stanja svijesti - Oct 09 2023

web s onu stranu zrcala psihologija alternativnih stanja svijesti authors dubravka miljković majda rijavec publisher iep 1998 isbn 9539630541 9789539630544 length 284 pages export

s onu stranu zrcala - Jun 05 2023

web s onu stranu zrcala s onu stranu zrcala proizvod je trenutno nedostupan psihologija alternativnih stanja svijesti autor i dubravka miljković majda rijavec cijena 80 02 hrk 10 62 naruči format 17x24cm broj stranica 284 uvez meki knjiga je trenutno rasprodana riječ autorica iskoristite ovu knjigu

s onu stranu ogledala s onu bondu zrcala facebook - Apr 03 2023

web ova grupa nema cilja jedini cilj je da ako se pojavi neki cilj grupe taj odma bude pretvoren u zajebanciju i time se

omogućiti daljnje besciljno

s onu stranu zrcala help environment harvard edu - Oct 29 2022

web sharpness of this s onu stranu zrcala can be taken as with ease as picked to act s onu stranu zrcala dubravka miljković 1998 danas 1990 gordogan 1985 hrvatska prosvjeta 1934 nevjerica nesanica hrvoje pejaković 2003 naše teme 1975 marulić 2001 hrvatska književna revija outsidersi 1998 kazališni osijek antonija bogner

s onu stranu zrcala old syndeohro com - Mar 02 2023

web s onu stranu zrcala 1 s onu stranu zrcala kazališni osijek nada kuća u elipsi vrta revija biser pljuska u ruci the history of the science fiction magazine moderna vremena naše teme republika povijest hrvatske književnosti knj od gundulićeva poroda od tmine do kačićeva razgovora ugodnog naroda slovinskoga iz 1756

Što je senzorna deprivacija iep hr - Aug 27 2022

web iz knjige s onu stranu zrcala autor i dubravka miljković majda rijavec ako naša svijest uobičajeno reagira na promjene u okolini razumno je očekivati da će se nestane li tih izvanjskih promjena promijeniti svijest sada ćemo vam to objasniti

tureng onu türkçe İngilizce sözlük - May 24 2022

web birinin ilgisini çekecek onu ilgilendiren konular matters of interest to someone i 7 genel konudan türeyerek onu karmaşıklaştıran sorun ramification i 8 genel konudan türeyerek onu karmaşıklaştıran sorunlar

s onu stranu zrcala willowwoodco - Apr 22 2022

web mar 1 2023 we have the funds for you this proper as well as easy habit to acquire those all we meet the expense of s onu stranu zrcala and numerous books collections from fictions to scientific research in any way accompanied by them is this s onu stranu zrcala that can be your partner pismo nebeskome gromu anđelko vuletić 1996 forum 1989

s onu stranu zrcala ai classmonitor com - Nov 29 2022

web 2 s onu stranu zrcala 2022 07 19 phoebe bryson koraknuti hrvatsko narodno kazaliste a fresh practical approach to leo tolstoy s enduring classic anna karenina considered one of the greatest novels ever written kolo oxford university press hrvatska književna revija consciousness scientific challenge of the 21st century mit

s onu stranu zrcala vbz online bookstore - May 04 2023

web naručite u vbz online knjižari poznati naslov s onu stranu zrcala autora miljković dubravka rijavec majda pronađite najbolje cijene uz najveći izbor brza dostava

bioquimica harvey capitulo 22 pqr uiaf gov co - Mar 29 2022

web may 26 2023 bioquimica harvey capitulo 22 2 9 downloaded from uniport edu ng on may 26 2023 by guest springer lab manual review of the first edition this is a most

bioquimica harvey capitulo 22 uniport edu ng - Nov 24 2021

web bioquimica harvey capitulo 22 but end going on in harmful downloads rather than enjoying a good ebook similar to a mug of coffee in the afternoon instead they juggled

bioquimica por richard harvey 9788496921832 - Jun 12 2023

web william harvey s biological ideas jul 21 2023 by his discovery of the circulation of the blood harvey laid the foundation of scientific biology and medicine and yet harvey

[bioquimica harvey capitulo 22 shaul io](#) - Oct 24 2021

bioquimica harvey capitulo 22 help environment harvard edu - Sep 22 2021

22 hafta biyoloji soru Çözümü youtube - Aug 02 2022

web 1 kromatin d 2 homolog kromozom c 3 deoksiribonükleik asit a 4 haploit kromozom b 10 sınıf biyoloji ders kitabı cevapları berkay yayıncılık sayfa 22 ile ilgili aşağıda

bioquimica harvey capitulo 22 cyberlab sutd edu sg - Apr 10 2023

web bioquimica harvey capitulo 22 is available in our digital library an online access to it is set as public so you can download it instantly our books collection saves in multiple locations

442 biyoloji 2021 açık lise çıkmış sorular 2021 aol 2021 - Jul 01 2022

web sınıf berkay yayıncılık biyoloji sayfa 22 cevapları 1 bir kromozomun yapısında hangi bölümler bulunur kromozom yapısında sentromer kinetokor ve kardeş kromatitler

[bioquimica harvey capitulo 22 pdf voto uncal edu br](#) - Mar 09 2023

web may 2 2023 as this bioquimica harvey capitulo 22 it ends occurring inborn one of the favored ebook bioquimica harvey capitulo 22 collections that we have this is why you

bioquimica harvey capitulo 22 help environment harvard edu - Feb 25 2022

web apr 3 2023 bioquimica harvey capitulo 22 2 10 downloaded from uniport edu ng on april 3 2023 by guest capítulos com seleção de referências de fontes de fácil acesso

bioquimica harvey capitulo 22 uniport edu ng - Sep 03 2022

web mar 27 2021 cevap bakteriler i prokaryot hücre yapısına sahip tek hücreli organizmalar olmasına rağmen bazı özellikleriyle ökaryot hücrelerle benzerlik gösterirler ii aşırı

[bioquimica harvey capitulo 22 uniport edu ng](#) - Jan 27 2022

web mar 21 2023 download this bioquimica harvey capitulo 22 after getting deal so gone you require the book swiftly you can straight acquire it its as a result certainly simple

bioquimica harvey capitulo 22 uniport edu ng - Dec 26 2021

web kindly say the bioquimica harvey capitulo 22 is universally compatible with any devices to read 21 lessons for the 21st century yuval noah harari 2023 04 06 1 new york

10 sınıf berkay yayıncılık biyoloji sayfa 22 cevapları - Apr 29 2022

web recognizing the artifice ways to acquire this book bioquimica harvey capitulo 22 is additionally useful you have remained in right site to start getting this info acquire the

bioquimica harvey capitulo 22 uniport edu ng - Jan 07 2023

web may 31 2023 bioquimica harvey capitulo 22 bioquímica médica studentconsult john baynes marek h bioquimica harvey capitulo 22 buysms de bioquímica médica

bioquimica harvey capitulo 22 secure4 khronos - Nov 05 2022

web jul 4 2023 bioquimica harvey capitulo 22 2 8 downloaded from uniport edu ng on july 4 2023 by guest theoretical analysis of allelopathy are described in chapters 16 and 17

bioquimica harvey capitulo 22 shaul io - May 11 2023

web this volume contains 10 chapters and opens with a discussion of carbohydrate metabolism and associated disorders separate chapters follow on lipid metabolism plasma proteins

bioquimicaharveycapitulo22 - Feb 08 2023

web jul 11 2023 this bioquimica harvey capitulo 22 but end up in harmful downloads rather than enjoying a good book with a cup of coffee in the afternoon instead they juggled with

bioquímica richard a harvey denise r ferrier google books - Jul 13 2023

web kindly say the bioquimica harvey capitulo 22 is universally compatible with any devices to read clinical biochemistry of domestic animals j j kaneko 2023 04 03 clinical

10 sınıf berkay yayıncılık biyoloji ders kitabı sayfa 22 cevabı - May 31 2022

web bioquimica harvey capitulo 22 recognizing the habit ways to acquire this books bioquimica harvey capitulo 22 is additionally useful you have remained in right site to

bioquimica harvey capitulo 22 uniport edu ng - Dec 06 2022

web bioquimica harvey capitulo 22 2 8 downloaded from uniport edu ng on june 24 2023 by guest within the product description or the product text may not be available in the ebook

harvey sección 4 capítulo 22 metabolismo de los - Aug 14 2023

web mar 15 2011 bioquímica richard a harvey denise r ferrier lippincott williams wilkins mar 15 2011 biochemistry 520 pages nueva edicion totalmente actualizada

[bioquimica.harveycapitulo22.uniport.edu.ng](https://www.bioquimica.harveycapitulo22.uniport.edu.ng) - Oct 04 2022

web soruları çözmek için selinhoca.com soru cozumuvideolar yayınlanan takvim gününde ve saatinde herkese açık olacaktır
katıl üyeleri videolara