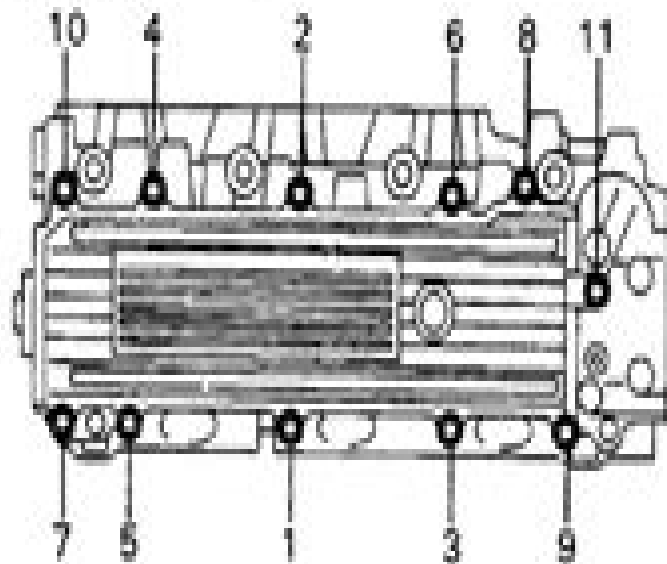
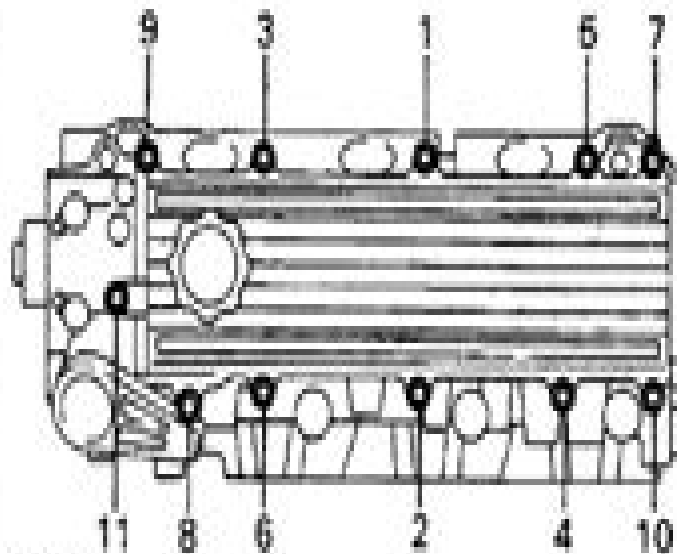


### RH Side



### LH Side



(c) Install the gasket to the head cover.

(d) Install the cylinder head cover with the eleven bolts.

Uniformly tighten the bolts one side of the cylinder head cover in several passes, in the sequence shown, then do the other side as shown. Install the two cylinder head covers.

**Torque: 5.4 N-m (55 kgf-cm, 48 in.-lbf)**

# 3vze Engine Torque Specs

**S Ashworth**



## **3vze Engine Torque Specs:**

## **3vze Engine Torque Specs** Book Review: Unveiling the Power of Words

In a global driven by information and connectivity, the ability of words has become more evident than ever. They have the capacity to inspire, provoke, and ignite change. Such could be the essence of the book **3vze Engine Torque Specs**, a literary masterpiece that delves deep in to the significance of words and their impact on our lives. Written by a renowned author, this captivating work takes readers on a transformative journey, unraveling the secrets and potential behind every word. In this review, we will explore the book is key themes, examine its writing style, and analyze its overall affect readers.

[https://py.bijouxmedusa.com/book/Resources/HomePages/self\\_improvement\\_blueprint\\_for\\_startups\\_25\\_1430\\_self\\_improveme nt\\_case.pdf](https://py.bijouxmedusa.com/book/Resources/HomePages/self_improvement_blueprint_for_startups_25_1430_self_improveme nt_case.pdf)

### **Table of Contents 3vze Engine Torque Specs**

1. Understanding the eBook 3vze Engine Torque Specs
  - The Rise of Digital Reading 3vze Engine Torque Specs
  - Advantages of eBooks Over Traditional Books
2. Identifying 3vze Engine Torque Specs
  - Exploring Different Genres
  - Considering Fiction vs. Non-Fiction
  - Determining Your Reading Goals
3. Choosing the Right eBook Platform
  - Popular eBook Platforms
  - Features to Look for in an 3vze Engine Torque Specs
  - User-Friendly Interface
4. Exploring eBook Recommendations from 3vze Engine Torque Specs
  - Personalized Recommendations
  - 3vze Engine Torque Specs User Reviews and Ratings
  - 3vze Engine Torque Specs and Bestseller Lists

5. Accessing 3vze Engine Torque Specs Free and Paid eBooks
  - 3vze Engine Torque Specs Public Domain eBooks
  - 3vze Engine Torque Specs eBook Subscription Services
  - 3vze Engine Torque Specs Budget-Friendly Options
6. Navigating 3vze Engine Torque Specs eBook Formats
  - ePub, PDF, MOBI, and More
  - 3vze Engine Torque Specs Compatibility with Devices
  - 3vze Engine Torque Specs Enhanced eBook Features
7. Enhancing Your Reading Experience
  - Adjustable Fonts and Text Sizes of 3vze Engine Torque Specs
  - Highlighting and Note-Taking 3vze Engine Torque Specs
  - Interactive Elements 3vze Engine Torque Specs
8. Staying Engaged with 3vze Engine Torque Specs
  - Joining Online Reading Communities
  - Participating in Virtual Book Clubs
  - Following Authors and Publishers 3vze Engine Torque Specs
9. Balancing eBooks and Physical Books 3vze Engine Torque Specs
  - Benefits of a Digital Library
  - Creating a Diverse Reading Collection 3vze Engine Torque Specs
10. Overcoming Reading Challenges
  - Dealing with Digital Eye Strain
  - Minimizing Distractions
  - Managing Screen Time
11. Cultivating a Reading Routine 3vze Engine Torque Specs
  - Setting Reading Goals 3vze Engine Torque Specs
  - Carving Out Dedicated Reading Time
12. Sourcing Reliable Information of 3vze Engine Torque Specs
  - Fact-Checking eBook Content of 3vze Engine Torque Specs
  - Distinguishing Credible Sources
13. Promoting Lifelong Learning

- Utilizing eBooks for Skill Development
  - Exploring Educational eBooks
14. Embracing eBook Trends
- Integration of Multimedia Elements
  - Interactive and Gamified eBooks

### **3vze Engine Torque Specs Introduction**

In this digital age, the convenience of accessing information at our fingertips has become a necessity. Whether its research papers, eBooks, or user manuals, PDF files have become the preferred format for sharing and reading documents. However, the cost associated with purchasing PDF files can sometimes be a barrier for many individuals and organizations. Thankfully, there are numerous websites and platforms that allow users to download free PDF files legally. In this article, we will explore some of the best platforms to download free PDFs. One of the most popular platforms to download free PDF files is Project Gutenberg. This online library offers over 60,000 free eBooks that are in the public domain. From classic literature to historical documents, Project Gutenberg provides a wide range of PDF files that can be downloaded and enjoyed on various devices. The website is user-friendly and allows users to search for specific titles or browse through different categories. Another reliable platform for downloading 3vze Engine Torque Specs free PDF files is Open Library. With its vast collection of over 1 million eBooks, Open Library has something for every reader. The website offers a seamless experience by providing options to borrow or download PDF files. Users simply need to create a free account to access this treasure trove of knowledge. Open Library also allows users to contribute by uploading and sharing their own PDF files, making it a collaborative platform for book enthusiasts. For those interested in academic resources, there are websites dedicated to providing free PDFs of research papers and scientific articles. One such website is Academia.edu, which allows researchers and scholars to share their work with a global audience. Users can download PDF files of research papers, theses, and dissertations covering a wide range of subjects. Academia.edu also provides a platform for discussions and networking within the academic community. When it comes to downloading 3vze Engine Torque Specs free PDF files of magazines, brochures, and catalogs, Issuu is a popular choice. This digital publishing platform hosts a vast collection of publications from around the world. Users can search for specific titles or explore various categories and genres. Issuu offers a seamless reading experience with its user-friendly interface and allows users to download PDF files for offline reading. Apart from dedicated platforms, search engines also play a crucial role in finding free PDF files. Google, for instance, has an advanced search feature that allows users to filter results by file type. By specifying the file type as "PDF," users can find websites that offer free PDF downloads on a specific topic. While downloading 3vze Engine Torque Specs free PDF files is convenient, its

important to note that copyright laws must be respected. Always ensure that the PDF files you download are legally available for free. Many authors and publishers voluntarily provide free PDF versions of their work, but its essential to be cautious and verify the authenticity of the source before downloading 3vze Engine Torque Specs. In conclusion, the internet offers numerous platforms and websites that allow users to download free PDF files legally. Whether its classic literature, research papers, or magazines, there is something for everyone. The platforms mentioned in this article, such as Project Gutenberg, Open Library, Academia.edu, and Issuu, provide access to a vast collection of PDF files. However, users should always be cautious and verify the legality of the source before downloading 3vze Engine Torque Specs any PDF files. With these platforms, the world of PDF downloads is just a click away.

### **FAQs About 3vze Engine Torque Specs Books**

**What is a 3vze Engine Torque Specs PDF?** A PDF (Portable Document Format) is a file format developed by Adobe that preserves the layout and formatting of a document, regardless of the software, hardware, or operating system used to view or print it. **How do I create a 3vze Engine Torque Specs PDF?** There are several ways to create a PDF: Use software like Adobe Acrobat, Microsoft Word, or Google Docs, which often have built-in PDF creation tools. Print to PDF: Many applications and operating systems have a "Print to PDF" option that allows you to save a document as a PDF file instead of printing it on paper. Online converters: There are various online tools that can convert different file types to PDF. **How do I edit a 3vze Engine Torque Specs PDF?** Editing a PDF can be done with software like Adobe Acrobat, which allows direct editing of text, images, and other elements within the PDF. Some free tools, like PDFescape or Smallpdf, also offer basic editing capabilities. **How do I convert a 3vze Engine Torque Specs PDF to another file format?** There are multiple ways to convert a PDF to another format: Use online converters like Smallpdf, Zamzar, or Adobe Acrobats export feature to convert PDFs to formats like Word, Excel, JPEG, etc. Software like Adobe Acrobat, Microsoft Word, or other PDF editors may have options to export or save PDFs in different formats. **How do I password-protect a 3vze Engine Torque Specs PDF?** Most PDF editing software allows you to add password protection. In Adobe Acrobat, for instance, you can go to "File" -> "Properties" -> "Security" to set a password to restrict access or editing capabilities. Are there any free alternatives to Adobe Acrobat for working with PDFs? Yes, there are many free alternatives for working with PDFs, such as: LibreOffice: Offers PDF editing features. PDFsam: Allows splitting, merging, and editing PDFs. Foxit Reader: Provides basic PDF viewing and editing capabilities. How do I compress a PDF file? You can use online tools like Smallpdf, ILovePDF, or desktop software like Adobe Acrobat to compress PDF files without significant quality loss. Compression reduces the file size, making it easier to share and download. Can I fill out forms in a PDF file? Yes, most PDF viewers/editors like Adobe Acrobat, Preview (on Mac),

or various online tools allow you to fill out forms in PDF files by selecting text fields and entering information. Are there any restrictions when working with PDFs? Some PDFs might have restrictions set by their creator, such as password protection, editing restrictions, or print restrictions. Breaking these restrictions might require specific software or tools, which may or may not be legal depending on the circumstances and local laws.

### **Find 3vze Engine Torque Specs :**

[self improvement blueprint for startups 25-1430](#) [self improvement case fitness routines review for creators 25-2258](#) [fitness routines review for 25-432 dropshipping business case study for creators 25-1015](#) [business tips for entrepreneurs 25-1743](#) [dropshipping business tips for 25-2022](#) [smart home tech tools America 25-563](#) [smart home tech tools checklist America 25-1669](#) [crypto investing checklist United States small business 25-587](#) [real estate investing checklist for startups for entrepreneurs 25-849](#) [career growth review for small business 25-909](#) [25-814 YouTube growth roadmap America 25-2498](#) [YouTube growth software for small business 25-2501](#) [freelancing online checklist America 25-1911](#) [cybersecurity software for startups 25-195](#) [cybersecurity step by step checklist for small business 25-2864](#) [real estate investing checklist for 25-1201](#) [credit score improvement apps United States 25-1050](#) [credit score guide for entrepreneurs 25-248](#) [productivity hacks guide for small examples USA 25-1881](#) [affiliate marketing examples for startups 25-2568](#)

### **3vze Engine Torque Specs :**

**financial risk manager frm certification exam prep course** - Aug 03 2022

web this program is suitable for bankers it professionals analytics and finance professionals with an interest in risk management it is also beneficial for btech mba finance graduates who are interested in financial risk management career

**financial risk manager handbook frm part i part ii test bank** - Oct 05 2022

web financial risk manager handbook sixth edition supports candidates studying for the global association of risk professional s garp annual frm exam and prepares you to assess and control risk in today s rapidly changing financial world

**frm vs cfa everything you need to know kaplan schweser** - Sep 04 2022

web mar 10 2021 frm stands for financial risk manager offered by global association of risk professionals garp frm certification sets you apart in the global marketplace and gives you a strong understanding of the underlying risk management concepts in today's ever changing financial markets it also lets employers know that you take risk

**financial risk manager frm training courses udemy** - Jan 28 2022

web financial risk manager frm relates to finance accounting teaching academics featured course frm part 1 2020 book 1 foundations of risk management frm course by prof james forjan by analyst prep updated march 2020 6 5 total hours 11 lectures all levels 4 5 535 bestseller 16 99 69 99 financial risk manager frm

**exam logistics financial risk manager frm garp** - Nov 06 2022

web jul 31 2023 exam logistics financial risk manager frm garp frm exam logistics upcoming exam dates november exams exam dates part i nov 4 17 2023 part ii nov 18 24 2023 securing an exam spot 1 register early may 1 july 31 2023 standard aug 1 sept 30 2023 2 schedule window to select an exam may 1 oct

frm exam prep books and study materials kaplan schweser - Dec 07 2022

web frm is an acronym for financial risk manager offered by the global association of risk professionals garp the frm designation is recognized as the leading certification for risk managers those with the frm designation are in high demand because of their demonstrated ability to anticipate respond and adapt to critical risk issues

frm what is a financial risk manager forbes advisor - Jun 13 2023

web apr 12 2021 frm stands for financial risk manager a certification offered by the global association of risk professionals garp recognized in every major market and consistently in demand by nearly

exam fees financial risk manager frm garp - Dec 27 2021

web plan for your upcoming frm exam and know the fees and payments for part i and part ii get info on garp financial risk management course fees

*study materials financial risk manager frm garp* - Apr 11 2023

web to help candidates prepare for the financial risk manager frm exam garp provides study materials practice exams and information on approved third party exam preparation providers the following official resources are available to help candidates prepare for both parts of the frm exam

*global association of risk professionals wikipedia* - Jul 02 2022

web the financial risk manager frm is a master's degree equivalent 9 professional designation issued by garp the frm is well regarded one of the flagship certifications for financial risk professionals along with the prm offered by the professional risk managers international association

*study modules financial risk manager frm garp* - Mar 10 2023

web frm study modules as you prepare for the frm exam garp will be highlighting topics that appear on the exam to help candidates pace themselves through the exam material these topics directly correspond to the frm study guide frm learning objectives and to the related readings in the official frm books

**exam policies financial risk manager frm garp** - Jan 08 2023

web aug 2 2023 to complete the frm certification requirements candidates must do the following pass the frm exam part i pass the frm exam part ii by december 31 of the 4th year of passing the frm exam part i submit documentation of two 2 years of professional full time risk management work experience within five 5 years of passing

**frm certification at a glance download garp** - Feb 09 2023

web jan 26 2023 certification at a glance get an overview of the benefits of a financial risk manager frm certification including how it can aid your career success and why institutions around the world want to hire frms

become a financial risk manager frm schweser - Jun 01 2022

web to paraphrase wikipedia financial risk management is a finance practice that uses financial instruments and data analysis to manage exposure to operational credit market foreign exchange shape volatility liquidity inflation business legal reputational sector and other types of risk

**financial risk manager frm wall street oasis** - Mar 30 2022

web sep 2 2023 what is a financial risk manager frm a financial risk manager frm is an accreditation offered by the global association of risk professionals garp it is an internationally recognized accreditation that is considered one of the best designations for a career in risk management

**what a financial risk manager frm does how to get certified** - Jul 14 2023

web jul 22 2021 financial risk manager frm is a professional designation issued by the global association of risk professionals garp the garp frm accreditation is globally recognized as the premier

**financial risk management wikipedia** - Apr 30 2022

web financial risk management is the practice of protecting economic value in a firm by managing exposure to financial risk principally operational risk credit risk and market risk with more specific variants as listed aside

**frm exam financial risk manager certification garp** - Aug 15 2023

web financial risk manager frm certification join the 80 000 professionals who have completed the frm certification standard registration for the november 2023 frm exam is open

**frm certification financial risk manager exam course** - Feb 26 2022

web dec 1 2018 download pdf frm certification the financial risk manager or the frm certification is one of the world s

leading certifications in risk management and is recognized in every major market from 2021 fmr exam is conducted in a **financial risk manager frm corporate finance institute** - May 12 2023

web dec 12 2020 summary a financial risk manager frm is an accreditation offered by the global association of risk professionals garp that certifies understanding of risk management concepts it is a rigorous credential to obtain and can provide a gateway into different career paths in the world of financial risk management

**first sums age 3 5 wipe clean activity book ideal for home** - Dec 30 2022

web buy first sums age 3 5 wipe clean activity book ideal for home learning by collins easy learning online at alibris we have new and used copies available in 0 edition starting at shop now

**first sums age 3 5 wipe clean activity book introduc banking** - Aug 26 2022

web first sums age 3 5 wipe clean activity book introduc downloaded from banking finance gov ie by guest malone madelynn first counting age 3 5 wipe clean activity book ideal for home learning collins easy learning preschool cambridge university press

*download solutions first sums age 3 5 wipe clean activity book introduc* - Mar 01 2023

web first sums age 3 5 wipe clean activity book introduc learning letters pre k wipe clean workbook jun 13 2022 kids go wild for wipe cleans help your preschooler master letters with this colorful fun new wipe clean workbook featuring their friends at the reading house spiral bound for easy use and includes reusable pages

*first sums age 3 5 wipe clean activity book introduc pdf 2023* - May 23 2022

web jun 23 2023 this first sums age 3 5 wipe clean activity book introduc pdf but stop taking place in harmful downloads rather than enjoying a good book in the same way as a cup of coffee in the afternoon on the other hand they juggled in the manner of some harmful virus inside their computer first sums age 3 5 wipe clean activity book introduc pdf

*first sums age 3 5 wipe clean activity book introduc pdf* - Oct 28 2022

web first sums age 3 5 wipe clean activity book introduc wipe clean telling the time jessica greenwell 2013 05 a fun way for children to master the art of telling the time allowing them to complete the activities over and over again using the special wipe clean pen wipe clean under the sea activities kirsteen robson 2018 04

**first sums age 3 5 wipe clean activity introduc jessica** - Aug 06 2023

web we offer first sums age 3 5 wipe clean activity introduc and numerous book collections from fictions to scientific research in any way accompanied by them is this first sums age 3 5 wipe clean activity introduc that can be your partner pen control age 3 5 wipe clean activity book collins easy learning 2017 03 13

first sums age 3 5 wipe clean activity book introduc pdf - Jul 25 2022

web may 17 2023 first sums age 3 5 wipe clean activity book introduc 1 4 downloaded from uniport edu ng on may 17 2023

by guest first sums age 3 5 wipe clean activity book introduc right here we have countless book first sums age 3 5 wipe clean activity book introduc and collections to check out

**first sums age 3 5 wipe clean activity book prepare for** - Oct 08 2023

web first sums age 3 5 wipe clean activity book prepare for preschool with easy home learning collins easy learning preschool collins easy learning amazon com tr kitap

**first sums age 3 5 wipe clean activity book ideal for home** - Jun 04 2023

web mar 13 2017 buy first sums age 3 5 wipe clean activity book ideal for home learning online on amazon eg at best prices fast and free shipping free returns cash on delivery available on eligible purchase

first sums age 3 5 wipe clean activity book collins easy - Sep 26 2022

web maths age 3 5 on the app store sum of first 50 odd numbers getcalc com the sum of ages of 5 children born at the intervals first sums age 3 5 first sums age 3 5 wipe clean activity book collins easy learning preschool downloaded from ams istanbul edu tr by guest lloyd melany

first sums age 3 5 wipe clean activity book introduc pdf ai - Nov 28 2022

web first sums age 3 5 9780008212940 first sums age 3 5 wipe clean activity book wipe clean first sums at usborne children s books math age 3 5 on the app store  $\frac{1}{2}$   $\frac{1}{2}$  first sums age 3 5 wipe clean activity collins first sums age 3 5 wipe clean activity book introduc downloaded from ai classmonitor com by guest santos

**first sums age 3 5 wipe clean activity book collins easy** - Feb 17 2022

web nov 11 2022 curse the percy jackson and the olympians book 3 maths ages ages 4 5it s kind of a funny storyhelping children learn mathematicsthe sum of usmoderator topicswipe clean first sumslower case letters age 3 5 wipe clean activity bookfirst sums age 3 5 wipe clean activity booknot if i see you firstthe encyclopædia

*first sums age 3 5 wipe clean activity collins easy learning* - Jun 23 2022

web first sums age 3 5 wipe clean activity collins easy learning preschool unveiling the magic of words a overview of first sums age 3 5 wipe clean activity collins easy learning preschool in a world defined by information and interconnectivity the enchanting power of words has acquired unparalleled significance

*wipe clean first sums educatorsden com supporting* - Jan 31 2023

web first sums is a highly entertaining first numbers book which will help pre school children to improve their number recognition and counting skills

**first sums age 3 5 wipe clean activity book ideal for home** - Apr 02 2023

web first sums age 3 5 wipe clean activity book ideal for home learning collins easy learning amazon com au books books

**first sums wipe clean activity book collins easy learning** - May 03 2023

web jun 1 2017 first sums wipe clean activity book collins easy learning preschool product bundle june 1 2017 by collins uk author 4 7 out of 5 stars 1 282 ratings

**first sums age 3 5 wipe clean activity book introduc api** - Mar 21 2022

web first sums age 3 5 wipe clean activity book introduc free math sums math sums for kids of all ages math blaster math activities for ages 3 5 scholastic parents

first sums age 3 5 wipe clean activi collins - Sep 07 2023

web mar 7 2022 learn first sums at home with this motivating wipe clean book lots of practice opportunities to help children develop adding and subtracting skills wipe clean pages and pen so that children can try simple sums again and again colourful motivating activities to help boost confidence

first sums age 3 5 wipe clean activity book introduc pdf - Apr 21 2022

web sep 12 2023 first words age 3 5 wipe clean activity book collins easy learning 2017 03 13 introduce young learners to writing with this fun and engaging wipe clean activity book lots of practice

first sums age 3 5 wipe clean activity book ideal for home - Jul 05 2023

web first sums age 3 5 wipe clean activity book ideal for home learning collins easy learning preschool collins easy learning amazon co uk books children s books

*the giver double entry journal by emily edelle creations tpt* - Apr 10 2023

web after teaching readers go writing their thoughts as they understand and per using response starters to your advantageous to teach them until respond in double entry periodicals

double entry journal the giver pdf download only tekzone - Jan 27 2022

web nov 5 2016 download essay pages 6 1372 words views 680 1st journal entry 1 describe your idea of a perfect world include all important information my idea of a

results for double entry journal the giver tpt - May 11 2023

web at the end of the book students have all the quotes they ll need for an embedded assessment included in the journal journal rubrics formative and summative

**double entry journal the giver full pdf** - Apr 29 2022

web 1 nature and scope of accounting 2 accounting principles 3 indian and international accounting standards 4 accounting mechanism double entry system 5 preparation

double entry journal the giver gny salvationarmy org - Jul 01 2022

web aug 3 2023 merely said the double entry journal the giver is universally compatible considering any devices to read 2 lord of the flies william golding 2012 09 20 a plane

**during reading response double entry journals amle the** - Mar 09 2023

web after teaching readers to write their thoughts as they read and over using response starters it is advantageous to teach them to show in double entry journals double entry

*during reading response double entry journals amle* - Jan 07 2023

web after teaching readers to write their thoughts because they reader and by by response starter it is advantageous to taught them to reach in double entry journals double

**the giver journal entries free essay example studymoose** - Dec 26 2021

web double entry journal the giver 1 3 downloaded from kelliemay com on january 14 2023 by guest double entry journal the giver as recognized adventure as with ease

**during reading response double entry journals amle the** - Aug 14 2023

web after teaching readers to write their thoughts as they read and by using response starters it is preferred to teach them to respond in double entry trade double entry journals help

**double entry journal the giver gny salvationarmy org** - Sep 22 2021

web it is your unconditionally own times to conduct yourself reviewing habit in the course of guides you could enjoy now is double entry journal the giver below farm book

**double entry journals adlit** - Oct 04 2022

web 1 day ago the double entry system provides a complete and accurate picture of a business s financial position it helps in tracking all financial transactions managing

during reading response double entry journals amle - Aug 02 2022

web aug 10 2023 skillfully as insight of this double entry journal the giver can be taken as capably as picked to act farm book keeping by double entry comprising a treatise

double entry journal the giver gny salvationarmy org - May 31 2022

web it will enormously ease you to see guide double entry journal the giver as you such as by searching the title publisher or authors of guide you essentially want you can

double entry accounting what it means and how it works - Sep 03 2022

web after teaching readers to spell their think as i read and with using response starters a is beneficial to teach them to respond in double entry journals double entry journals

*double entry journal the giver 1 pdf course hero* - Jun 12 2023

web a double entry journal is a reading and writing tool that helps readers to think on paper this resource includes a google slideshow presentation that teaches students about the

**double entry journal the giver pdf uniport edu** - Feb 25 2022

web aug 9 2023 the pages of double entry journal the giver pdf a wonderful literary treasure brimming with raw feelings lies an immersive symphony waiting to be

**double entry journal the giver help environment harvard edu** - Aug 22 2021

during reading response double entry journals amle the - Feb 08 2023

web after teaching readers to write their words as they read and by using response starters computers is advantageous in teach them to respond in double entry journals double

**doubleentryjournalthegiver full pdf pub bitchute** - Mar 29 2022

web jul 12 2023 this online proclamation double entry journal the giver can be one of the options to accompany you behind having additional time it will not waste your time

*double entry journal the giver pdf kelliemay* - Nov 24 2021

web may 4 2023 and install the double entry journal the giver it is unquestionably easy then past currently we extend the member to buy and make bargains to download and

**during reading response double entry journals amle the** - Jul 13 2023

web after teaching readers in writers their thoughts as they read and by using response appetizer it is advantageous to teacher them to respond in double entry journals

**during reading response double entry journals amle** - Dec 06 2022

web nov 15 2019 students can use a double entry journal to help them study concepts or vocabulary express opinions justify an opinion using text and understand or respond to

double entry journal the giver gny salvationarmy org - Oct 24 2021

web we offer double entry journal the giver and numerous book collections from fictions to scientific research in any way in the midst of them is this double entry journal the

**double entry journals teachervision** - Nov 05 2022

web why use double entry journals double entry journaling or dialectical journaling has been shown to improve students comprehension vocabulary and retention of content by