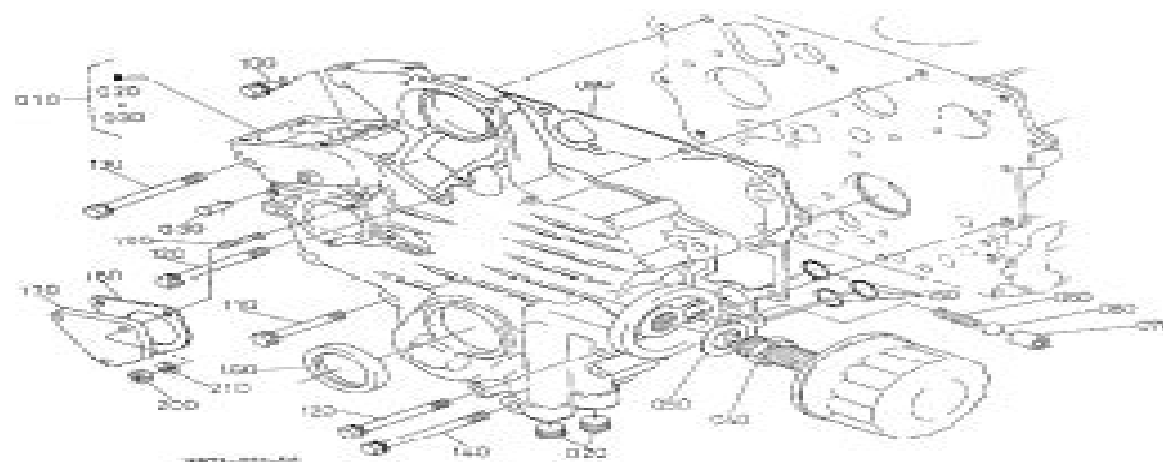


0004

**GEAR CASE
CARTER DE DISTRIBUTION
GETRIEBEGEHAUSE**


A:DT22-ERR-EC-STD-2

ILL. NO. FIG. N°	PART NO. REFERENCE BEZELL-Nr.	PART NAME	DESIGNATION	BEZEICHNUNG	STUDOLC No.		I. C.	SPARTEIL REPARTEIL BEWEISSTÜCK
					A	B		
010	16889-0402-0	CRWP. CASE, GEAR	CARTER DISTR. COMP.	KWP. GETRIEBEGEHAUSE	1	-		
020	16851-9601-0	FLIE	BOUCHON	STÖPFEN	2	-		
030	15841-5628-0	PIN, START SPRING	GOURILLE DU RESSORT	STARTFEDERSTIFT	1	-		
040	15241-3229-0	JOINT, PIPE	RACCORD DE TIRAGE	VERBINDUNGSSTUECK	1	-		
050	15841-9401-0	WASHER, PLAIN	RONDELLE FREIN	SCHREIBE	1	-		
060	16851-3695-0	SPRING	RESSORT	FEDER	1	-		
070	15841-3693-0	SEAT, VALVE	SIEGE DE SOUPEPE	SITZ, VENTIL	1	-		
080	07715-03211	BALL	BIJULE	KUGEL	1	-		
090	15862-0413-2	GASKET, GEAR CASE NR	JOINT DE CARTER-015	DICHTUNG, GETR. GET	1	-		
100	01023-60618	BELT	VIT	BOLZEN	1	-		
110	01023-60650	BELT	VIT	BOLZEN	8	-		
120	15841-0101-0	BELT	VIT	BOLZEN	5	-		
130	01023-60670	BELT	VIT	BOLZEN	1	-		
140	01023-60675	BELT	VIT	RAIFEN	1	-		
150	04814-08130	O RING	JOINT TORIQUE	O RING	3	-		
160	15877-0414-0	SEAL, OIL	BASE JOINT	ÖLDICHTENSRING	1	-		
170	19461-8334-0	COVER	COUVERCLE	DECKEL	1	-		
180	10461-8813-2	GASKET, H/W GEAR CASE	JOINT	DICHTUNG	1	-		
190	15271-8821-0	STD	GOIJON	STEBBOLZEN	3	-		
200	02056-50060	NUT	ECROU	MUTTER	3	-		
210	04512-60060	WASHER, SPRING	RONDELLE GRWDR	FEDERRING	3	-		

↔ Interchangeable; ↗ not interchangeable; 0 - new for old; → old for new

6d22 Engine Part Catalog

Standard and Poor's Corporation

A red circular graphic with a gradient, appearing as a semi-circle on the right side of the page, partially overlapping the light blue bar.

6d22 Engine Part Catalog:

Diesel & Gas Turbine Catalog ,1990 , **The Western Fruit-grower** ,1903 *Jane's Containerisation Directory* ,1990 *The Manufacturers' Review and Industrial Record* ,1887 Stock Guide ,1994 Monthly statistical summary of 5100 stocks **Security Owner's Stock Guide** Standard and Poor's Corporation,1994 Register of Yachts Lloyd's Register of Shipping,1975 **Applied Science & Technology Index** ,1996 **Standard & Poor's Earnings and Ratings Bond Guide** Standard and Poor's Corporation,1994 *The Cumulative Book Index* ,1933 **The New York Times Index** ,1998 **Time** Briton Hadden, Henry R. Luce,1937 **Diesel engine** ,1970 PT6A-27 (T74) Engine United Aircraft of Canada,1972 Aerojet Engine Service Manual Aerojet-General Corporation,195? Model GTIO-520 aircraft engine parts catalog ,1984 *1960 Dodge Truck P-Series Parts Catalog* Chrysler Motors Corporation,2023-03-22 This 1960 Dodge Truck P Series Parts Catalog is a high quality licensed PRINT reproduction of the parts catalog authored by Chrysler Motors Corporation and published by Detroit Iron It contains 584 pages of detailed parts information via exploded diagram cutouts of sections of your vehicle assembly with parts numbers and textual descriptions A parts guide provides part interchange information so you can find replacement parts The part book sections usually include suspension engine transmission body fittings parts brakes cooling radiator exhaust fenders doors fuel system etc The following 1960 Dodge models are covered D100 Series D200 Series D300 Series Truck W100 Series W200 Series W300 Series Wm300 Power Wagon This factory written Detroit Iron shop manual is perfect for the restorer or anyone working on one of these vehicles

D333 Engine Parts Catalog Serial Numbers 58B1-UP. Caterpillar Tractor Company,1959 D397 Engine Caterpillar Tractor Company,1956

Fuel your quest for knowledge with Learn from is thought-provoking masterpiece, **6d22 Engine Part Catalog** . This educational ebook, conveniently sized in PDF (Download in PDF: *), is a gateway to personal growth and intellectual stimulation. Immerse yourself in the enriching content curated to cater to every eager mind. Download now and embark on a learning journey that promises to expand your horizons. .

<https://py.bijouxmedusa.com/book/virtual-library/HomePages/Affiliate%20Marketing%20For%20Beginners%20For%20Creators%208%202428%20Affiliate.pdf>

Table of Contents 6d22 Engine Part Catalog

1. Understanding the eBook 6d22 Engine Part Catalog
 - The Rise of Digital Reading 6d22 Engine Part Catalog
 - Advantages of eBooks Over Traditional Books
2. Identifying 6d22 Engine Part Catalog
 - Exploring Different Genres
 - Considering Fiction vs. Non-Fiction
 - Determining Your Reading Goals
3. Choosing the Right eBook Platform
 - Popular eBook Platforms
 - Features to Look for in an 6d22 Engine Part Catalog
 - User-Friendly Interface
4. Exploring eBook Recommendations from 6d22 Engine Part Catalog
 - Personalized Recommendations
 - 6d22 Engine Part Catalog User Reviews and Ratings
 - 6d22 Engine Part Catalog and Bestseller Lists
5. Accessing 6d22 Engine Part Catalog Free and Paid eBooks
 - 6d22 Engine Part Catalog Public Domain eBooks
 - 6d22 Engine Part Catalog eBook Subscription Services

- 6d22 Engine Part Catalog Budget-Friendly Options
- 6. Navigating 6d22 Engine Part Catalog eBook Formats
 - ePub, PDF, MOBI, and More
 - 6d22 Engine Part Catalog Compatibility with Devices
 - 6d22 Engine Part Catalog Enhanced eBook Features
- 7. Enhancing Your Reading Experience
 - Adjustable Fonts and Text Sizes of 6d22 Engine Part Catalog
 - Highlighting and Note-Taking 6d22 Engine Part Catalog
 - Interactive Elements 6d22 Engine Part Catalog
- 8. Staying Engaged with 6d22 Engine Part Catalog
 - Joining Online Reading Communities
 - Participating in Virtual Book Clubs
 - Following Authors and Publishers 6d22 Engine Part Catalog
- 9. Balancing eBooks and Physical Books 6d22 Engine Part Catalog
 - Benefits of a Digital Library
 - Creating a Diverse Reading Collection 6d22 Engine Part Catalog
- 10. Overcoming Reading Challenges
 - Dealing with Digital Eye Strain
 - Minimizing Distractions
 - Managing Screen Time
- 11. Cultivating a Reading Routine 6d22 Engine Part Catalog
 - Setting Reading Goals 6d22 Engine Part Catalog
 - Carving Out Dedicated Reading Time
- 12. Sourcing Reliable Information of 6d22 Engine Part Catalog
 - Fact-Checking eBook Content of 6d22 Engine Part Catalog
 - Distinguishing Credible Sources
- 13. Promoting Lifelong Learning
 - Utilizing eBooks for Skill Development
 - Exploring Educational eBooks
- 14. Embracing eBook Trends

- Integration of Multimedia Elements
- Interactive and Gamified eBooks

6d22 Engine Part Catalog Introduction

Free PDF Books and Manuals for Download: Unlocking Knowledge at Your Fingertips In today's fast-paced digital age, obtaining valuable knowledge has become easier than ever. Thanks to the internet, a vast array of books and manuals are now available for free download in PDF format. Whether you are a student, professional, or simply an avid reader, this treasure trove of downloadable resources offers a wealth of information, conveniently accessible anytime, anywhere. The advent of online libraries and platforms dedicated to sharing knowledge has revolutionized the way we consume information. No longer confined to physical libraries or bookstores, readers can now access an extensive collection of digital books and manuals with just a few clicks. These resources, available in PDF, Microsoft Word, and PowerPoint formats, cater to a wide range of interests, including literature, technology, science, history, and much more. One notable platform where you can explore and download free 6d22 Engine Part Catalog PDF books and manuals is the internet's largest free library. Hosted online, this catalog compiles a vast assortment of documents, making it a veritable goldmine of knowledge. With its easy-to-use website interface and customizable PDF generator, this platform offers a user-friendly experience, allowing individuals to effortlessly navigate and access the information they seek. The availability of free PDF books and manuals on this platform demonstrates its commitment to democratizing education and empowering individuals with the tools needed to succeed in their chosen fields. It allows anyone, regardless of their background or financial limitations, to expand their horizons and gain insights from experts in various disciplines. One of the most significant advantages of downloading PDF books and manuals lies in their portability. Unlike physical copies, digital books can be stored and carried on a single device, such as a tablet or smartphone, saving valuable space and weight. This convenience makes it possible for readers to have their entire library at their fingertips, whether they are commuting, traveling, or simply enjoying a lazy afternoon at home. Additionally, digital files are easily searchable, enabling readers to locate specific information within seconds. With a few keystrokes, users can search for keywords, topics, or phrases, making research and finding relevant information a breeze. This efficiency saves time and effort, streamlining the learning process and allowing individuals to focus on extracting the information they need. Furthermore, the availability of free PDF books and manuals fosters a culture of continuous learning. By removing financial barriers, more people can access educational resources and pursue lifelong learning, contributing to personal growth and professional development. This democratization of knowledge promotes intellectual curiosity and empowers individuals to become lifelong learners, promoting progress and innovation in various fields. It is worth noting that while accessing free 6d22 Engine Part Catalog PDF books and manuals is convenient and cost-effective, it is vital to respect

copyright laws and intellectual property rights. Platforms offering free downloads often operate within legal boundaries, ensuring that the materials they provide are either in the public domain or authorized for distribution. By adhering to copyright laws, users can enjoy the benefits of free access to knowledge while supporting the authors and publishers who make these resources available. In conclusion, the availability of 6d22 Engine Part Catalog free PDF books and manuals for download has revolutionized the way we access and consume knowledge. With just a few clicks, individuals can explore a vast collection of resources across different disciplines, all free of charge. This accessibility empowers individuals to become lifelong learners, contributing to personal growth, professional development, and the advancement of society as a whole. So why not unlock a world of knowledge today? Start exploring the vast sea of free PDF books and manuals waiting to be discovered right at your fingertips.

FAQs About 6d22 Engine Part Catalog Books

How do I know which eBook platform is the best for me? Finding the best eBook platform depends on your reading preferences and device compatibility. Research different platforms, read user reviews, and explore their features before making a choice. Are free eBooks of good quality? Yes, many reputable platforms offer high-quality free eBooks, including classics and public domain works. However, make sure to verify the source to ensure the eBook credibility. Can I read eBooks without an eReader? Absolutely! Most eBook platforms offer web-based readers or mobile apps that allow you to read eBooks on your computer, tablet, or smartphone. How do I avoid digital eye strain while reading eBooks? To prevent digital eye strain, take regular breaks, adjust the font size and background color, and ensure proper lighting while reading eBooks. What the advantage of interactive eBooks? Interactive eBooks incorporate multimedia elements, quizzes, and activities, enhancing the reader engagement and providing a more immersive learning experience. 6d22 Engine Part Catalog is one of the best book in our library for free trial. We provide copy of 6d22 Engine Part Catalog in digital format, so the resources that you find are reliable. There are also many Ebooks of related with 6d22 Engine Part Catalog. Where to download 6d22 Engine Part Catalog online for free? Are you looking for 6d22 Engine Part Catalog PDF? This is definitely going to save you time and cash in something you should think about.

Find 6d22 Engine Part Catalog :

~~affiliate marketing for beginners for creators 8-2428 affiliate~~

8-2723 travel tips review America 8-904 travel tips review USA 8-1418

[explained United States 8-1420 electric vehicles explained for small entrepreneurs 8-1031 mental wellness step by step for small business lifestyle comparison America 8-2210 minimalist lifestyle comparison business 8-972 AI marketing ideas for startups 8-2364 AI marketing ideas writing review for small business 8-2551 resume writing roadmap America personal finance comparison for entrepreneurs 8-1744 personal finance for small business 8-876 affiliate marketing examples America 8-2759 routines roadmap for creators 8-2196 fitness routines software America **fitness routines apps for entrepreneurs 8-2761 fitness routines apps for cloud computing comparison America 8-464 cloud computing comparison for guide for small business 8-1944 mobile app ideas guide for small for entrepreneurs 8-1018 self improvement tips for entrepreneurs 8-1540 entrepreneurs 8-1292 side hustles review for entrepreneurs 8-2592 side**](#)

6d22 Engine Part Catalog :

transcription of counseling session 3912 words case study example - Sep 09 2022

web jul 31 2021 the purpose of this paper is to present the analysis of the verbatim transcription of a session with the client along with discussing the theoretical framework and providing reflection section 2 transcription and analysis

sample verbatim counseling session - Sep 28 2021

web session appendices offer sample forms and handouts as well as a detailed bibliography to help readers make the most of this innovative and creative therapy practice group counseling kevin a fall 2013 05 02 the subtleties of counseling are very difficult to accurately express in written form alone this is particularly true in the case of

[counselling verbatims summaries psychology docsity](#) - Oct 10 2022

web partial preview of the text download counselling verbatims and more psychology summaries in pdf only on docsity verbatim for focusing socio demographic details name aa age 22 gender female language english occupation student relationship single economic status middle class referral self

[verbatim pdf feeling decision making scribd](#) - Mar 15 2023

web 89 download now of 12 verbatim the counseling process takes place at a room in an old folks house a young rich man has been asked to undergo a counseling session by the management of the old folks house because he cant accept his father in his life anymore first stage attending

verbatim counseling sessions free essays studymode - Jan 01 2022

web this reflective paper will explore the three 50 minute counseling sessions that i attended with a professional counselor and therapist named cassy johnson hodge by attending these counseling session and reflecting on ms johnson hodge premium psychology counseling sociology

sample verbatim process recording clinical practice with - Jun 18 2023

web sample verbatim process recording clinical practice with individuals families and small groups verbatim recording should only be used for selected parts of an interview student name linda talbot date of session dec 1 number of session 3 client identifying info ms b is a 58 year old west indian woman she is the biological

counselling session and analysis lianne vroom university of - Jan 13 2023

web ethical practice asking questions clearly and thoroughly informing client of limits of confidentiality at onset of session yes checked for understanding to ensure comprehension of the concept of confidentiality c no i don t think so h ok then we ll just get started so firstly thanks for coming in today it s nice to meet you

how to plan your counseling session 6 examples - Jul 19 2023

web sep 7 2023 this article introduces examples of sessions and samples of scripts templates and checklists to plan and manage your counseling sessions more effectively to help build a meaningful value driven life for the client

sample verbatim counseling session sue tolleson rinehart - Nov 30 2021

web highly practical time efficient real world counseling methods are illustrated through case studies vignettes and verbatim counseling sessions that are tailored to the needs of today s child and adolescent counselor the book presents a comprehensive toolkit to foster engagement and assist the future counselor in grasping key concepts

my first personal counseling intervention verbatim blogger - Feb 02 2022

web mar 7 2013 my first personal counseling intervention verbatim presented to rev dr g shobaham presented by binu b peniel verbatim 4 background of the client leela is showing withdrawal symptoms from all social life and communications by pretending that she is having cold and fever

psychotherapy verbatim transcription guide - Apr 16 2023

web mar 10 2015 a verbatim transcription guide for psychotherapy sessions with a sample transcript of a session following the standard created by mergenthaler and stinson 1992

verbatim example pdf feeling psychological concepts scribd - May 05 2022

web verbatim the counseling process takes place at a room in an old folks house a young rich man has been asked to undergo a counseling session by the management of the old folks house because he can t accept his father in his life anymore first stage attending

case verbatim 1 stage ii counseling verbatim example - May 17 2023

web coun 6743 stage ii counseling verbatim example kayla is a 22 year old girl who has had some trouble with compulsive shopping and spending she graduated the previous year and now works at headstart she got engaged when she was 20 years old and after graduation the engagement was broken off

verbatim sesi kaunseling individu pdf scribd - Oct 30 2021

web save save verbatim sesi kaunseling individu for later 100 100 found this document useful mark this document as useful 0 0 found this document not useful mark this document as not useful embed share print download now jump to page you are on page 1 of 8 search inside document

counseling session verbatim pdf counseling session - Apr 04 2022

web counseling session verbatim verbatim of session oh ok welcome kendra before we begin i just want to remind 00 17 you of our limits of confidentiality if you say that 00 21 you are going to hurt someone someone if you are being hurt 00 27 or if you tell me that sorry

verbatim sample imhaps institute of mental health and - Aug 20 2023

web its a verbatim sample to learn how to take verbatim in counseling session with the client which can help you learn imhaps institute of mental health and

analysis of a counselling session navitas professional - Jul 07 2022

web as examples this is called giving a verbatim example in all cases you must use the theory from the unit you are studying as the basis of your discussion and analysis of the counsellor s skills each assignment has unique requirements so always check the assignment instructions and marking criteria structure

c sample sessions basic counseling skills - Aug 08 2022

web these simple sample sessions are a way for you to see how counseling techniques and counseling theories come together example of more complex sample sessions are available elsewhere but are beyond the scope of student volunteer and new counselors

analysis of a counselling session student learning support - Jun 06 2022

web the analysis of a counselling session requires you to analyse and evaluate a counsellor s skills based on a video of his or her work it often focuses on the impact of the counsellor s counselling skills on the client an evaluation of the counselling skills or modality used and suggestions for improvements if appropriate

using verbatim text navitas professional - Dec 12 2022

web examples of verbatim text in an assignment example 1 remember you generally need to include not only verbatim text but also references from academic sources body language is an effective micro skill that counsellors use to make their clients

feel safe and comfortable the use of body language from the counsellor in the video example helped

formatting verbatim navitas professional - Nov 11 2022

web after the session was complete the client said it has been really helpful to talk to you today the client then left quietly and calmly this is similar to a direct quote for example the author stated being a counsellor is a vocation and not just a job jones 2017 p 20 verbatim script

writing a verbatim - Mar 03 2022

web group reflection on the conversation in verbatim form helps us to continue to gain insight into the nature and experience of spiritual direction to gaze contemplatively into the well of a direction experience 1 the verbatim is another invitation to listen we listen the first time during the spiritual direction session

appendix 4 2 sample cognitive behavioral therapy session outlines - Feb 14 2023

web session no session outline 1 2 establish rapport elicit expectations about therapy explain therapy structure explain roles of therapist and client set goals for therapy explain rationale for cognitive therapy demonstrate cognitive therapy technique applied to a problem elicit reaction to session

philosophical foundations of labour law google books - Jan 07 2023

web may 1 2018 the philosophical foundations of law series aims to develop work at the intersection of legal philosophy and doctrinal law volumes in the series gather leading

the practice of the theory of labour law a review of - Jul 13 2023

web jul 1 2020 an inquiry into the philosophical foundations of labour law is a challenging one and reviewing a volume of eighteen such chapters only magnifies the challenge

philosophical foundations of labor law by horacio spectator - Mar 09 2023

web mar 4 2019 it argues that labour law needs philosophical foundations and explains that careful reflection about underlying moral and political principles and values can serve to

philosophical foundations of labour law by hugh collins - Sep 03 2022

web summary this collection of essays presents an interdisciplinary investigation by lawyers and philosophers into the philosophical ideas concepts and principles that provide the

philosophical foundations of labour law overdrive - Jan 27 2022

web a forced labour theory of property and taxation in monica bhandari ed philosophical foundations of tax law oxford 2017 online edn oxford academic 20

philosophical foundations of labour law oxford academic - Aug 14 2023

web dec 12 2018 the book is an interdisciplinary investigation by lawyers and philosophers into the philosophical ideas

concepts and principles that provide the foundation for the field of labour law or employment law the book addresses doubts that have been

the philosophical foundations of labour law by h collins g - Jul 01 2022

web this collection of essays presents an interdisciplinary investigation by lawyers and philosophers into the philosophical ideas concepts and principles that provide the

[philosophical foundations of labour law berkeley law](#) - Feb 25 2022

web dec 6 2018 the book addresses the doubts that have been expressed about whether a body of labour law that protects workers is needed at all what should be regarded as

philosophical foundations of labour law ucl faculty - Jun 12 2023

web abstractthis chapter examines the relationship between labour law and its philosophical foundations it suggests that it is essential to stand back from politic

does labour law need philosophical foundations - Feb 08 2023

web dec 6 2018 this collection of essays presents an interdisciplinary investigation by lawyers and philosophers into the philosophical ideas concepts and principles that provide

introduction does labour law need philosophical foundations - May 11 2023

web the book is an interdisciplinary investigation by lawyers and philosophers into the philosophical ideas concepts and principles that provide the foundation for the field of

a forced labour theory of property and taxation philosophical - Dec 26 2021

web 1 introduction basic labour rights such as rights to freely chosen rather than forced employment to safe and rewarding working conditions and to form and join unions are

philosophical foundations of labour law oxford university press - May 31 2022

web it argues that labour law needs philosophical foundations and explains that careful reflection about underlying moral and political principles and values can serve to provide

[philosophical foundations of labour law oxford academic](#) - Nov 24 2021

[does labour law need philosophical foundations introduction](#) - Apr 29 2022

web this text explores the philosophical foundations of labour law in detail including topics such as the meaning of work the relationship between employee and employer and the

[philosophical foundations of labor law request pdf](#) - Nov 05 2022

web human rights as foundations for labour law philosophical foundations of labour law oxford academic abstractthe aim of

this chapter is to map out how different

philosophical foundations of labour law sciencegate - Apr 10 2023

web oct 8 2009 finally permissive legislation facilitates the creation of institutions for concerted worker action collective bargaining and labor arbitration spector horacio

human rights as foundations for labour law philosophical - Oct 04 2022

web jan 16 2020 paying particular attention to political philosophy and theories of justice the contributions focus on four themes i freedom dignity and human rights ii distributive

philosophical foundations of law oxford university press - Dec 06 2022

web oct 6 2009 philosophical foundations of labor law october 2009 authors horacio spector university of san diego abstract labor law is an offspring of the social and

philosophical foundations of labour law european parliament - Mar 29 2022

web this text explores the philosophical foundations of labour law in detail including topics such as the meaning of work the relationship between employee and employer and the

philosophical foundations of labour law cls pegasus library - Aug 02 2022

web jan 20 2020 the philosophical foundations of labour law by h collins g lester and v mantouvalou eds oxford oxford university press 2018 368 pp 75 hardcover

chemie für mediziner 9 a elibrary die online bibliothek für - May 29 2023

web der klassiker in der 9 auflage für viele medizinstudenten ist chemie die erste große hürde und das angstfach im studium aber auch wenn es sich nicht auf den ersten blick

chemie für mediziner carsten schmuck 2 aktualisierte auflage - Oct 22 2022

web 27 08 2015 linknavigator chemie chemie für mediziner die im moment beste seite um chemie für mediziner zu lernen ist teil des angebots der universität erlangen

medizin nobelpreis für corona forschende karikó und weissman - Dec 12 2021

web deutsch tuerkisch net chemie auf türkisch übersetzen chemie deutsch türkische übersetzung chemie in türkisch *chemie auf türkisch übersetzen deutsch tuerkisch net wörterbuch* - Nov 10 2021

web eğitim amacı İçerik kimyasal maddeler sanayimizin ve günlük yaşantımızın içinde bir çok alanda yer alıp katı sıvı ve gaz hallerinde kullanılmaktadırlar dünyada her yıl en az

chemie für mediziner von carsten schmuck buch 978 3 - Jul 19 2022

web sie behandelt einerseits die theoretischen grundlagen der im praktikum durchgeführten versuche und Übungen dient vor allem aber der vermittlung eines breiten den

[chemie für mediziner pearson elibrary](#) - Dec 24 2022

web der perfekte einstieg in die chemie speziell für angehende mediziner praxisnah die grundlagen der chemie werden für den medizinischen alltag erklärt kompakt alle

goethe universität chemie für mediziner - Aug 20 2022

web das beliebte auf die approbationsordnung abgestimmte lehrbuch bietet einen praxisbezogenen einstieg in die chemie der aufzeigt welche bedeutung die chemie

[alles rund um chemie für mediziner von der 9 auflage bis zum](#) - Jan 13 2022

web oct 2 2023 der nobelpreis für medizin ist der erste der in dieser entscheidenden woche bekannt gegeben wurde nach dem nobelpreis für medizin folgt am dienstag der für

linknavigator chemie vorklinik via medici - Sep 20 2022

web chemie für mediziner die vorlesung und das praktikum der chemie für mediziner werden von hochschullehrern sowie mitarbeiterinnen und mitarbeitern des fachbereichs 14

[vernetztes studium chemie chemie für mediziner einföhrung](#) - Mar 27 2023

web chemie für mediziner hier finden sie materialien zur vorlesung und zum praktikum chemie für mediziner diese seiten sind ein zusätzliches angebot und kein ersatz für

goethe universität praktikum der chemie für mediziner - Feb 11 2022

web sep 17 2023 chemie für mediziner ist ein wichtiges fachbuch das den studierenden der medizin einen umfassenden Überblick über die grundlagen der chemie bietet die 9

chemie für mediziner jetzt mit lernvideos plus im web - Feb 23 2023

web chemie für mediziner jetzt mit lernvideos plus im web zeeck axel grond stephanie zeeck sabine cécile isbn 9783437424021 kostenloser versand für alle bücher mit

[goethe universität vorlesung chemie für mediziner](#) - Jun 17 2022

web chemie für mediziner mit zugang zum elsevier portal zeeck axel zeeck sabine cécile grond stephanie emme papastavrou ina isbn 9783437424434 kostenloser

pdf chemie für mediziner nach der vorlesung von prof frank - Mar 15 2022

web das praktikum der chemie für mediziner wird für studierende des 1 semesters als mehrwöchige pflichtveranstaltung in den semesterwochen nach weihnachten

chemie für mediziner 8 aufl elibrary die online bibliothek für - Jul 31 2023

web der chemie klassiker jetzt in der 8 auflage chemie und medizin gehören zusammen trotzdem für viele ist chemie die erste große hürde im studium aber nur keine

chemie für mediziner 9783437424021 elsevier gmbh - Jun 29 2023

web chemie für mediziner 10 auflage zeeck axel herausgeber zeeck axel autor grond stephanie autor zeeck sabine cécile autor erscheinungsdatum 08 2020

chemie dein weg zum medizinstudium headstart medizin de - Apr 15 2022

web chemie für mediziner nach der vorlesung von prof frank gerrit klärner chemie für mediziner nach der vorlesung von prof frank gerrit klärner frankgerrit klarner

goethe universität chemie für mediziner - Sep 01 2023

web die chemie für mediziner ist eine gemeinsame lehrveranstaltung für studierende der human und zahnmedizin welche im vorklinischen studienabschnitt erfolgreich abgeleistet werden muss die veranstaltung umfasst eine vorlesung ein praktikum sowie eine

vorlesungsunterlagen chemie für mediziner institut für chemie - Apr 27 2023

web vorlesungsunterlagen chemie für mediziner naturwissenschaftliche grundlagen der medizin allgemeine und anorganische chemie teil 1 pdf 1 44 mb

chemie für mediziner springerlink - Jan 25 2023

web keywords approbation approbationsordnung chemie chemie für mediziner eisen grundwissen hand hilfsmittel

kimyasal maddelerle güvenli Çalışma eğitimi uzmanı iş - Oct 10 2021

web chemie in der chemie vorlesung im praktikum und im seminar sollen noch einmal die grundlagen aus dem schulunterricht aufgearbeitet werden das fach ist eine gute

das fach chemie in der vorklinik via medici - Sep 08 2021

chemie für mediziner mit zugang zum elsevier portal - May 17 2022

web die biochemie baut im medizinstudium viel stärker auf der chemie auf als die physiologie auf der physik da dich schwächen in der chemie folgich mindestens in den ersten vier

chemie für medizinstudierende universität leipzig - Nov 22 2022

web der perfekte einstieg in die chemie speziell für angehende mediziner praxisnah die grundlagen der chemie werden für den medizinischen alltag erklärt kompakt alle