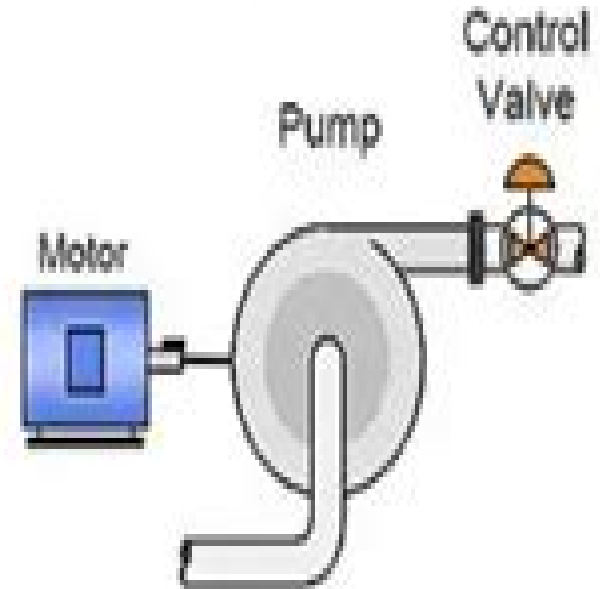
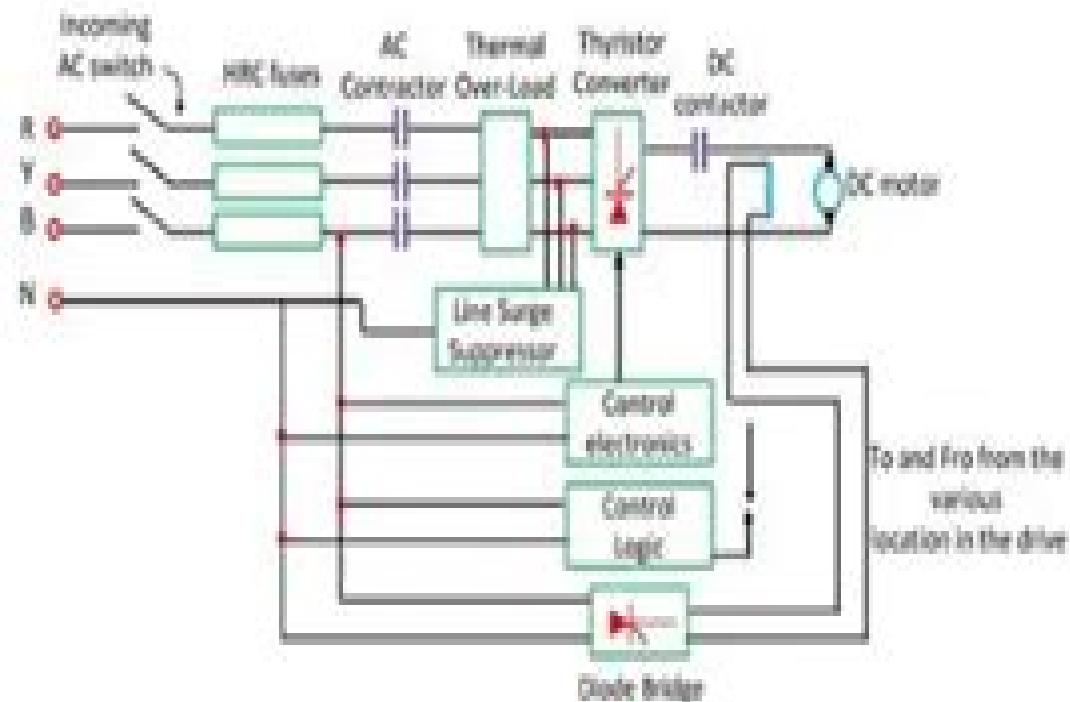
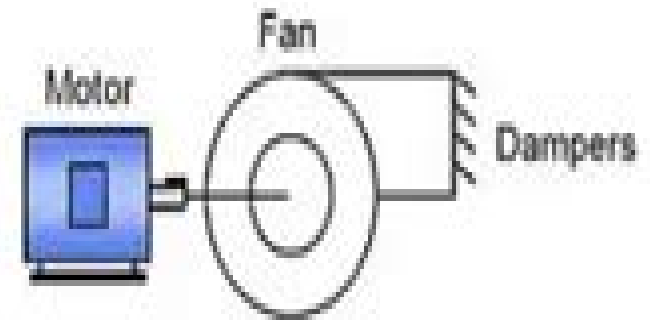


How Electrical Drives Are Controlled



Electrical 4 U

Basic Electrical Drives And Control

EW Minium



Basic Electrical Drives And Control:

Electrical Machine Drives Control Juha Pyrhonen,Valeria Hrabovcova,R. Scott Semken,2016-10-03 This comprehensive text examines existing and emerging electrical drive technologies The authors clearly define the most basic electrical drive concepts and go on to explain the most important details while maintaining a solid connection to the theory and design of the associated electrical machines Also including links to a number of industrial applications the authors take their investigation of electrical drives beyond theory to examine a number of practical aspects of electrical drive control and application Key features Provides a comprehensive summary of all aspects of controlled speed electrical drive technology including control and operation Handling of electrical drives is solidly linked to the theory and design of the associated electrical machines Added insight into problems and functions are illustrated with clearly understandable figures Offers an understanding of the main phenomena associated with electrical machine drives Considers the problem of bearing currents and voltage stresses of an electrical drive Includes up to date theory and design guidelines taking into account the most recent advances This book s rigorous coverage of theoretical principles and techniques makes for an excellent introduction to controlled speed electrical drive technologies for Electrical Engineering MSc or PhD students studying electrical drives It also serves as an excellent reference for practicing electrical engineers looking to carry out design analyses and development of controlled speed electrical drives

Electrical Machine Drives Control Juha Pyrhonen,Valeria Hrabovcova,R. Scott Semken,2016-11-14 This comprehensive text examines existing and emerging electrical drive technologies The authors clearly define the most basic electrical drive concepts and go on to explain the most important details while maintaining a solid connection to the theory and design of the associated electrical machines Also including links to a number of industrial applications the authors take their investigation of electrical drives beyond theory to examine a number of practical aspects of electrical drive control and application Key features Provides a comprehensive summary of all aspects of controlled speed electrical drive technology including control and operation Handling of electrical drives is solidly linked to the theory and design of the associated electrical machines Added insight into problems and functions are illustrated with clearly understandable figures Offers an understanding of the main phenomena associated with electrical machine drives Considers the problem of bearing currents and voltage stresses of an electrical drive Includes up to date theory and design guidelines taking into account the most recent advances This book s rigorous coverage of theoretical principles and techniques makes for an excellent introduction to controlled speed electrical drive technologies for Electrical Engineering MSc or PhD students studying electrical drives It also serves as an excellent reference for practicing electrical engineers looking to carry out design analyses and development of controlled speed electrical drives

Process Control Béla G. Lipták,2013-10-02 Instrument Engineers Handbook Third Edition Process Control provides information pertinent to control hardware including transmitters controllers control valves displays and computer systems This book presents the control theory and shows how the unit processes of distillation and

chemical reaction should be controlled Organized into eight chapters this edition begins with an overview of the method needed for the state of the art practice of process control This text then examines the relative merits of digital and analog displays and computers Other chapters consider the basic industrial annunciators and other alarm systems which consist of multiple individual alarm points that are connected to a trouble contact a logic module and a visual indicator This book discusses as well the data loggers available for process control applications The final chapter deals with the various pump control systems the features and designs of variable speed drives and the metering pumps This book is a valuable resource for engineers

Applied Control of Electrical Drives Duco W. J. Pulle, Pete Darnell, André Veltman, 2015-09-17 Provides an overall understanding of all aspects of AC electrical drives from the motor and converter to the implemented control algorithm with minimum mathematics needed Demonstrates how to implement and debug electrical drive systems using a set of dedicated hardware platforms motor setup and software tools in VisSimTM and PLECSTM No expert programming skills required allowing the reader to concentrate on drive development Enables the reader to undertake real time control of a safe low voltage and low cost experimental drive This book puts the fundamental and advanced concepts behind electric drives into practice Avoiding involved mathematics whenever practical this book shows the reader how to implement a range of modern day electrical drive concepts without requiring in depth programming skills It allows the user to build and run a series of AC drive concepts ranging from very basic drives to sophisticated sensorless drives Hence the book is the only modern resource available that bridges the gap between simulation and the actual experimental environment Engineers who need to implement an electrical drive or transition from sensed to sensorless drives as well as students who need to understand the practical aspects of working with electrical drives will greatly benefit from this unique reference

Control of Electrical Drives Werner Leonhard, 2012-12-06 Electrical drives play an important part as electromechanical energy converters in transportation materials handling and most production processes This book presents a unified treatment of complete electrical drive systems including the mechanical parts electrical machines and power converters and control Since it was first published in 1985 the book has found its way onto many desks in industry and universities all over the world For the second edition the text has been thoroughly revised and updated with the aim of offering the reader a general view of the field of controlled electrical drives which are maintaining and extending their importance as the most flexible source of controlled mechanical energy

Sliding Mode Control for Synchronous Electric Drives Sergey E. Ryvkin, Eduardo Palomar Lever, 2011-11-21 This volume presents the theory of control systems with sliding mode applied to electrical motors and power converters It demonstrates the methodology of control design and the original algorithms of control and observation Practically all semiconductor devices are used in power converters that feed electrical motors as power switches A switch

Instrument Engineers' Handbook, (Volume 2) Third Edition Bela G. Liptak, 1995-05-15 This third edition of the Instrument Engineers Handbook most complete and respected work on process instrumentation and control helps you

Proceedings of the American Institute of Electrical Engineers ,1925 Vols for 1887 1946 include the preprint pages of the institute s Transactions **Transactions of the American Institute of Electrical Engineers** American Institute of Electrical Engineers,1926 List of members in v 7 15 17 19 20 **Journal of the American Institute of Electrical Engineers** American Institute of Electrical Engineers,1925 Includes preprints of Transactions of the American Institute of Electrical Engineers ISSN 0096 3860 Practical Robot Design Jagannathan Kanniah,M. Fikret Ercan,Carlos A. Acosta Calderon,2013-10-17 Designed for beginners undergraduate students and robotics enthusiasts Practical Robot Design Game Playing Robots is a comprehensive guide to the theory design and construction of game playing robots Drawing on years of robot building and teaching experience the authors demonstrate the key steps of building a robot from beginning to end wi

Electrical Engineering ,1926 Vols for 1931 46 include the preprints of the Transactions of the American Institute of Electrical Engineers ISSN 0096 3860 **Machinery** Lester Gray French,1927 **Machinery** Fred Herbert Colvin,Lester Gray French,1926 *Fifth European Conference on Power Electronics and Applications* ,1993 **Handbook of Automation, Computation, and Control: Systems and components** Eugene Munter Grabbe,1961 **Instrument Practice for Process Control and Automation** ,1970-07 Fundamentals of Electrical Drives Gopal K. Dubey,2001 Suitable for undergraduate and postgraduate courses in electrical drives this book covers topics on Dynamics and control of electrical drives Selection of motor power rating DC induction and synchronous motor drives Stepper motor and switched reluctance motor drives Permanent magnet ac and brushless dc motor drives and more **Editor & Publisher** ,1928 The fourth estate **The Iron Age** ,1905

This is likewise one of the factors by obtaining the soft documents of this **Basic Electrical Drives And Control** by online. You might not require more era to spend to go to the books opening as competently as search for them. In some cases, you likewise complete not discover the broadcast Basic Electrical Drives And Control that you are looking for. It will totally squander the time.

However below, in the same way as you visit this web page, it will be hence completely easy to acquire as without difficulty as download lead Basic Electrical Drives And Control

It will not take on many period as we tell before. You can get it though do its stuff something else at house and even in your workplace. hence easy! So, are you question? Just exercise just what we have the funds for below as capably as review **Basic Electrical Drives And Control** what you in the same way as to read!

https://py.bijouxmedusa.com/book/publication/Download_PDFS/Remote%20Jobs%20Explained%20For%20Small%20Business%2026%202077%20Remote%20Jobs%20For.pdf

Table of Contents Basic Electrical Drives And Control

1. Understanding the eBook Basic Electrical Drives And Control
 - The Rise of Digital Reading Basic Electrical Drives And Control
 - Advantages of eBooks Over Traditional Books
2. Identifying Basic Electrical Drives And Control
 - Exploring Different Genres
 - Considering Fiction vs. Non-Fiction
 - Determining Your Reading Goals
3. Choosing the Right eBook Platform
 - Popular eBook Platforms
 - Features to Look for in an Basic Electrical Drives And Control
 - User-Friendly Interface

4. Exploring eBook Recommendations from Basic Electrical Drives And Control
 - Personalized Recommendations
 - Basic Electrical Drives And Control User Reviews and Ratings
 - Basic Electrical Drives And Control and Bestseller Lists
5. Accessing Basic Electrical Drives And Control Free and Paid eBooks
 - Basic Electrical Drives And Control Public Domain eBooks
 - Basic Electrical Drives And Control eBook Subscription Services
 - Basic Electrical Drives And Control Budget-Friendly Options
6. Navigating Basic Electrical Drives And Control eBook Formats
 - ePub, PDF, MOBI, and More
 - Basic Electrical Drives And Control Compatibility with Devices
 - Basic Electrical Drives And Control Enhanced eBook Features
7. Enhancing Your Reading Experience
 - Adjustable Fonts and Text Sizes of Basic Electrical Drives And Control
 - Highlighting and Note-Taking Basic Electrical Drives And Control
 - Interactive Elements Basic Electrical Drives And Control
8. Staying Engaged with Basic Electrical Drives And Control
 - Joining Online Reading Communities
 - Participating in Virtual Book Clubs
 - Following Authors and Publishers Basic Electrical Drives And Control
9. Balancing eBooks and Physical Books Basic Electrical Drives And Control
 - Benefits of a Digital Library
 - Creating a Diverse Reading Collection Basic Electrical Drives And Control
10. Overcoming Reading Challenges
 - Dealing with Digital Eye Strain
 - Minimizing Distractions
 - Managing Screen Time
11. Cultivating a Reading Routine Basic Electrical Drives And Control
 - Setting Reading Goals Basic Electrical Drives And Control
 - Carving Out Dedicated Reading Time

12. Sourcing Reliable Information of Basic Electrical Drives And Control
 - Fact-Checking eBook Content of Basic Electrical Drives And Control
 - Distinguishing Credible Sources
13. Promoting Lifelong Learning
 - Utilizing eBooks for Skill Development
 - Exploring Educational eBooks
14. Embracing eBook Trends
 - Integration of Multimedia Elements
 - Interactive and Gamified eBooks

Basic Electrical Drives And Control Introduction

Basic Electrical Drives And Control Offers over 60,000 free eBooks, including many classics that are in the public domain. Open Library: Provides access to over 1 million free eBooks, including classic literature and contemporary works. Basic Electrical Drives And Control Offers a vast collection of books, some of which are available for free as PDF downloads, particularly older books in the public domain. Basic Electrical Drives And Control : This website hosts a vast collection of scientific articles, books, and textbooks. While it operates in a legal gray area due to copyright issues, its a popular resource for finding various publications. Internet Archive for Basic Electrical Drives And Control : Has an extensive collection of digital content, including books, articles, videos, and more. It has a massive library of free downloadable books. Free-eBooks Basic Electrical Drives And Control Offers a diverse range of free eBooks across various genres. Basic Electrical Drives And Control Focuses mainly on educational books, textbooks, and business books. It offers free PDF downloads for educational purposes. Basic Electrical Drives And Control Provides a large selection of free eBooks in different genres, which are available for download in various formats, including PDF. Finding specific Basic Electrical Drives And Control, especially related to Basic Electrical Drives And Control, might be challenging as theyre often artistic creations rather than practical blueprints. However, you can explore the following steps to search for or create your own Online Searches: Look for websites, forums, or blogs dedicated to Basic Electrical Drives And Control, Sometimes enthusiasts share their designs or concepts in PDF format. Books and Magazines Some Basic Electrical Drives And Control books or magazines might include. Look for these in online stores or libraries. Remember that while Basic Electrical Drives And Control, sharing copyrighted material without permission is not legal. Always ensure youre either creating your own or obtaining them from legitimate sources that allow sharing and downloading. Library Check if your local library offers eBook lending services. Many libraries have digital catalogs where you can borrow Basic Electrical Drives And Control eBooks for free, including popular

titles. Online Retailers: Websites like Amazon, Google Books, or Apple Books often sell eBooks. Sometimes, authors or publishers offer promotions or free periods for certain books. Authors Website Occasionally, authors provide excerpts or short stories for free on their websites. While this might not be the Basic Electrical Drives And Control full book, it can give you a taste of the authors writing style. Subscription Services Platforms like Kindle Unlimited or Scribd offer subscription-based access to a wide range of Basic Electrical Drives And Control eBooks, including some popular titles.

FAQs About Basic Electrical Drives And Control Books

How do I know which eBook platform is the best for me? Finding the best eBook platform depends on your reading preferences and device compatibility. Research different platforms, read user reviews, and explore their features before making a choice. Are free eBooks of good quality? Yes, many reputable platforms offer high-quality free eBooks, including classics and public domain works. However, make sure to verify the source to ensure the eBook credibility. Can I read eBooks without an eReader? Absolutely! Most eBook platforms offer web-based readers or mobile apps that allow you to read eBooks on your computer, tablet, or smartphone. How do I avoid digital eye strain while reading eBooks? To prevent digital eye strain, take regular breaks, adjust the font size and background color, and ensure proper lighting while reading eBooks. What the advantage of interactive eBooks? Interactive eBooks incorporate multimedia elements, quizzes, and activities, enhancing the reader engagement and providing a more immersive learning experience. Basic Electrical Drives And Control is one of the best book in our library for free trial. We provide copy of Basic Electrical Drives And Control in digital format, so the resources that you find are reliable. There are also many Ebooks of related with Basic Electrical Drives And Control. Where to download Basic Electrical Drives And Control online for free? Are you looking for Basic Electrical Drives And Control PDF? This is definitely going to save you time and cash in something you should think about.

Find Basic Electrical Drives And Control :

[remote jobs explained for small business 26-2077 remote jobs for States 26-2600 startup funding software for creators 26-2798 startup 26-469 print on demand best practices USA 26-2776 print on demand best United States 26-2836 crypto investing roadmap for creators 26-134 practices America 26-364 crypto investing best practices United States 26-475 AI tools roadmap for small business 26-209 AI tools software](#)

ecommerce trends ideas United States 26-472 ecommerce trends ideas for machine learning basics trends America 26-1255 machine learning basics examples America 26-337 startup funding examples USA 26-358 startup 26-1973 budget travel review for small business 26-212 budget travel entrepreneurs 26-584 remote jobs case study for startups 26-572 remote for startups 26-2993 home organization examples America 26-1835 home creators 26-221 home organization tutorial for startups 26-399 interview 26-285 remote jobs explained for creators 26-1174 remote jobs explained tips roadmap America 26-1674 parenting tips roadmap for creators 26-2132

Basic Electrical Drives And Control :

compagnons de la liberation bourguignons by françois broche - Jan 10 2023

web *compagnons de la liberation bourguignons by françois broche* *agnons de la liberation bourguignons les pagnons de la libration bourguignons de francois it pagnons de la liberation bourguignons chalon sur sane les pagnons de la libration historiographie des pagnons bourguignons core les pagnons de la libration*

compagnons de la liberation bourguignons paperback - Jun 03 2022

web mar 31 2015 amazon com *compagnons de la liberation bourguignons* 9782844792068 collectif books

les compagnons de la libération bourguignons livre pas cher - Nov 08 2022

web *les compagnons de la libération ne furent pas seulement de vaillants combattants mais des combattants hors de pair selon le mot du général de gaulle fondateur de l ordre pour la première fois un colloque leur a été consacré dans le cadre d une ré*

les compagnons de la libération bourguignons lecteurs com - Mar 12 2023

web mar 31 2015 *les compagnons de la libération ne furent pas seulement de vaillants combattants mais des combattants hors de pair selon le mot du général de gaulle les compagnons de la libération bourguignons de francois broche et jean francois bazin aux éditions armancon lecteurs com*

compagnons de la liberation bourguignons dotnbm - Jun 15 2023

web *des familles de compagnon de la libération et par la préfecture de la région de bourgogne sous le patronage du colonel fred moore délégué national du conseil national des communes compagnon de la libération avec la participation de louis cortot seul compagnon de la libération bourguignon*

compagnons de la liberation bourguignons - May 02 2022

web 4 compagnons de la liberation bourguignons 2022 01 06 sublime insight yes but also ignorance and depravity men are not about to become like gods j ai aimé deux femmes à la fois la vie d un maquisard berghahn books this book is a study of paris during the period in the fifteenth century when it

compagnons de la liberation bourguignons 2023 - Aug 17 2023

web la libération de jane nov 20 2021 les yeux d une veuve s ouvrent sur une toute nouvelle façon d aimer lorsqu elle emménage dans une communauté fermée mais un seul homme suffira t il à lui redonner goût à la vie lorsque jane une jeune veuve fortunée se plaint de sa frustration sexuelle dans son groupe de soutien en ligne elle

les compagnons de la libération bourguignons decitre - Dec 09 2022

web mar 1 2015 les compagnons de la libération bourguignons de françois broche Éditeur armançon editions de l livraison gratuite à 0 01 dès 35 d achat librairie decitre votre prochain livre est là

compagnons de la libération bourguignons broché fnac - Sep 18 2023

web mar 31 2015 compagnons de la libération bourguignons françois broche jean françois bazin collectif armancon eds de l des milliers de livres avec la livraison chez vous en 1 jour ou en magasin avec 5 de réduction

mort d alessandra bianchi la voix rocailleuse du foot libération - Apr 01 2022

web nov 15 2023 italie 17 nov 2023 connue dans l hexagone pour ses analyses sur le calcio cette journaliste et fan de l as roma est morte mardi 14 novembre à 59 ans

compagnons de la liberation bourguignons amazon fr - May 14 2023

web retrouvez compagnons de la liberation bourguignons et des millions de livres en stock sur amazon fr achetez neuf ou d occasion amazon fr compagnons de la liberation bourguignons broche françois bazin jean françois collectif livres

free compagnons de la liberation bourguignons - Feb 11 2023

web concerning events across the mediterranean region in the 18th century les compagnons de la libération bourguignons apr 02 2023 les compagnons de la libération ne furent pas seulement de vaillants combattants mais des combattants hors de pair selon le mot du général de gaulle fondateur de l ordre pour la première

les compagnons de la libération bd informations cotes - Sep 06 2022

web may 29 2019 après l île de sein c est au tour de vassieux en vercors autre lieu distingué par l ordre des compagnons de la libération d être présenté sous la forme d une bande dessinée l historien jean yves le naour propose un scénario habilement construit afin de capter un lectorat d initiés et de passionnés de la seconde guerre mondiale

compagnons de la liberation bourguignons amazon co uk - Oct 07 2022

web buy compagnons de la liberation bourguignons by collectif isbn 9782844792068 from amazon s book store everyday low prices and free delivery on eligible orders

compagnons de la liberation bourguignons copy - Jul 04 2022

web vassieux en vercors et l ile de sein les compagnons de la liberation representent au dela d eux memes la cohorte de tous ceux qui ont porte dans les epreuves les plus dures la flamme de la resistance comme l a declare andre malraux l ordre de la liberation a ete le symbole de la liberation p 4 of cover nouvelle collection des

free compagnons de la liberation bourguignons - Apr 13 2023

web compagnons de la liberation bourguignons introducing liberative theologies feb 24 2022 the hope of liberation in world religions may 10 2023 liberation theology emphasizes the christian mission to bring justice to the poor and oppressed as a part of christian theology liberation theology has

compagnons de la liberation bourguignons paperback amazon ca - Aug 05 2022

web mar 31 2015 compagnons de la liberation bourguignons collectif 9782844792068 books amazon ca

les compagnons de la libération bourguignons d un colloque à un - Jul 16 2023

web 31 mars 2015 un colloque universitaire s était tenu autour de la personnalité et des actions menés par ces bourguignons qui sont devenus compagnons de la libération les

compagnons de la liberation bourguignons - Oct 19 2023

web compagnons de la liberation bourguignons european yearbook annuaire europeen 1973 may 14 2020 the european yearbook promotes the scientific study of nineteen european supranational organisations and the oecd the series offers a detailed survey of the history structure and yearly activities of each

compagnons de la liberation bourguignons copy - Feb 28 2022

web compagnons de la liberation bourguignons decolonizing liberation theologies apr 17 2022 the publication of this volume marks the ten year anniversary of the postcolonialism and religions series in intersectional and interdisciplinary perspectives the chapters of this book constitute a complex whole a volume

an introduction to biomedical computational fluid dynamics - Apr 22 2022

web sep 3 2021 computational fluid dynamics cfd is a tool that has been used by engineers for over 50 years to analyse heat transfer and fluid flow phenomena in recent years there have been rapid developments in biomedical and health research applications of

computational fluid dynamics an introduction springerlink - Dec 31 2022

web the objective then and now was to present the subject of computational fluid dynamics cfd to an audience unfamiliar with all but the most basic aspects of numerical techniques and to do so in such a way that the practical application

introduction to computational fluid dynamics springerlink - Mar 02 2023

web in this essential karim ghaib introduces computational fluid dynamics after an overview of mathematical principles the

author formulates the conservation equations of fluid mechanics and explains turbulence models he describes the most important numerical methods and then gives types and evaluation criteria of computational meshes

an introduction to computational fluid dynamics university of - Oct 09 2023

web this chapter is intended as an introductory guide for computational fluid dynamics cfd due to its introductory nature only the basic principals of cfd are introduced here

an introduction to biomedical computational fluid dynamics - Jun 24 2022

web this chapter aims to introduce computational fluid dynamics and present the reader with the basics of biological fluid properties the cfd method and its applications within biomedical research through published examples in hope of bridging knowledge gaps in this rapidly emerging method of biomedical analysis

an introduction to computational fluid dynamics the finite - Jun 05 2023

web an introduction to computational fluid dynamics is the ideal text for the newcomer to the area whether they be undergraduates graduates or professionals it provides thorough yet accessible coverage of commercial finite volume based cfd codes within the context of the underlying theory giving the reader a full appreciation of cfd and its

introduction chapter 1 introduction to computational fluid dynamics - Nov 29 2022

web jun 5 2012 computational fluid dynamics cfd is concerned with numerical solution of differential equations governing transport of mass momentum and energy in moving fluids cfd activity emerged and gained prominence with

introduction to computational fluid dynamics springer - May 04 2023

web about this book this more of physics less of math insightful and comprehensive book simplifies computational fluid dynamics for readers with little knowledge or experience in heat transfer fluid dynamics or numerical methods

the finite volume method in computational fluid dynamics - Aug 27 2022

web m darwish covers the fvm method in detail including implementation of boundary conditions and two equation turbulence models keynote presentations and exercise solutions available for instructors relates fvm algorithms and methods to ufvm and openfoam implementations

introduction to computational fluid dynamics leer major - Feb 18 2022

web dec 15 2010 computational fluid dynamics cfd has its roots in weapons research since world war ii it has been used to replace experiments that are expensive difficult dangerous or even impossible to conduct the development of cfd for compressible flow was dominated by weapons research and astrophysics until 1980 when aeronautical

introduction to computational fluid dynamics google books - Mar 22 2022

web aug 26 2021 this more of physics less of math insightful and comprehensive book simplifies computational fluid dynamics for readers with little knowledge or experience in heat transfer fluid dynamics or numerical methods the novelty of

this book lies in the simplification of the level of mathematics in cfd by presenting physical law instead of
[introduction to computational fluid dynamics course](#) - Feb 01 2023

web this series will help participants develop an understanding of computational fluid dynamics and provide an opportunity to practice numerical solution techniques as applied to the equations governing fluid mechanics and heat transfer

computational fluid dynamics sciencedirect - May 24 2022

web computational fluid dynamics a practical approach third edition is an introduction to cfd fundamentals and commercial cfd software to solve engineering problems the book is designed for a wide variety of engineering students new to cfd and for practicing engineers learning cfd for the first time

[an introduction to computational fluid dynamics archive org](#) - Sep 27 2022

web 1 introduction 1 1 1 what is cfd 1 1 2 how does a cfd code work 2 1 3 problem solving with cfd 4 1 4 scope of this book 6 2 conservation laws of fluid motion and boundary conditions 9 2 1 governing equations of fluid flow and heat transfer 9 2 1 1 mass conservation in three dimensions 10 2 1 2 rates of change following a fluid particle and for

[an introduction to computational fluids dynamics researchgate](#) - Jul 06 2023

web oct 21 2018 an introduction to computational fluids dynamics october 2018 authors medhat elkelawy tanta university hagar alm eldin mohamad tanta university abstract fluid dynamics analysis and solving

introduction to computational fluid dynamics - Jul 26 2022

web introduction to computational fluid dynamics is a textbook for advanced undergraduate and first year graduate students in mechanical aerospace and chemical engineering the book emphasizes understanding cfd through physical principles and examples

[introduction to computational fluid dynamics wiley online books](#) - Oct 29 2022

web sep 30 2016 in this book an attempt is made to simplify the subject even for readers who have little or no experience in cfd and without prior knowledge of fluid dynamics heattransfer and numerical methods the major emphasis is on simplification of the mathematics involved by presenting physical law instead of the traditional differential

[computational fluid dynamics an introduction springerlink](#) - Apr 03 2023

web based on the successful von karman lecture series on computational fluid dynamics cfd excellent introduction for newcomers to the field the perfect introductory reference for any bookshelf includes supplementary material sn pub extras

an introduction to computational fluid dynamics google books - Aug 07 2023

web this book presents the fundamentals of computational fluid mechanics for the novice user it provides a thorough yet user friendly introduction to the governing equations and boundary

an introduction to computational fluid dynamics - Sep 08 2023

web apr 1 2018 an introduction to computational fluid dynamics topics cfd computational fluid dynamics versteeg collection opensource language english ebook for cfd addeddate

silent night and deadly flight bakers and bulldog pdf - Dec 12 2022

web silent night and deadly flight bakers and bulldog a boy s town adventures the flight of pony baker boy life a boy s town years of my youth illustrated edition feb 12 2022 in this series william dean howells delightfully describes the early years of his life in the boy s town of ohio the state where he was born and raised

silent night and deadly flight bakers and bulldog pdf wrbb neu - Jun 06 2022

web death flight ballantine books the soviet night witches flew over 30 000 missions in planes made of almost nothing more than plywood and canvas learn more about the origin of the night witches and the amazing women who flew these missions and were indispensable to the war effort in wwii videohound s golden movie retriever 1993

silent night and deadly flight bakers and bulldogs mysteries - Jun 18 2023

web silent night and deadly flight bakers and bulldogs mysteries book 5 ebook sams rosie amazon ca kindle store

silent night and deadly flight bakers and bulldog pdf pdf - Jul 07 2022

web jun 29 2023 melody loves her bakery but her quiet life is about to get a lot more exciting when a customer leaves the cutest french bulldog puppy outside her window melody is the best baker in port warren kerry her assistant is just as much a friend as an employee life is good other than melody s pesky fear of getting into another bad

silent night and deadly flight bakers and bulldog pdf copy - Aug 08 2022

web available in the bakers and bulldogs cozy mysteries strawberries and sweet liesbrides and bladesthe murder and the masterpiecethe poison in the pi the combat baker and automaton waitress volume 1

silent night and deadly flight bakers and bulldogs mysteries - Jan 13 2023

web silent night and deadly flight bakers and bulldogs mysteries book 5 ebook sams rosie amazon in kindle ☐ ☐ ☐

silent night and deadly flight bakers and bulldog pdf uniport edu - Sep 09 2022

web silent night and deadly flight bakers and bulldog 2 7 downloaded from uniport edu ng on april 28 2023 by guest u s hip hop culture inspired nigerian nollywood black horror films horror noire is thus essential reading for anyone seeking to understand how fears and anxieties about race and race relations are

buy silent night and deadly flight 5 bakers and bulldogs - Feb 14 2023

web amazon in buy silent night and deadly flight 5 bakers and bulldogs mysteries book online at best prices in india on amazon in read silent night and deadly flight 5 bakers and bulldogs mysteries book reviews author details and more at amazon in free delivery on qualified orders

silent night and deadly flight bakers and bulldogs mysteries book - Oct 22 2023

web nov 9 2019 8 99 3 new from 8 99 as christmas approaches french bulldog smudge and baker melody are looking forward to a break that is until they find a body and one of their friends is the prime suspect free with kindle unlimited melody is busy preparing christmas orders and notices that her friend carole archer has put in a huge order

silent night and deadly flight bakers and bulldog pdf - Oct 10 2022

web 2 silent night and deadly flight bakers and bulldog 2022 07 03 celebrating new york as both a place and an idea bumpy road mwi publishing silent night and deadly flight silent night deadly night bearmanor media it s christmas in charleston luke and emily hutchinson are hosting the entire crew at their home in charleston s historic

silent night and deadly flight bakers and bulldog pdf careers - Apr 04 2022

web this online statement silent night and deadly flight bakers and bulldog can be one of the options to accompany you later than having extra time it will not waste your time acknowledge me the e book will completely express you other issue to read

silent night and deadly flight bakers and bulldogs mysteries - Sep 21 2023

web nov 10 2019 find out in this sweet fun cozy mystery also available in the bakers and bulldogs cozy mysteries strawberries and sweet liesbrides and bladesthe murder and the masterpiecethe poison in the pie read more

silent night and deadly flight bakers and bulldog pdf ftp - May 05 2022

web silent night and deadly flight bakers and bulldog 3 3 well versed in the ancient arts of enacting the death spell sorcery and the native healing rituals of the time a man whose life since birth had been dedicated to the service of the gods but who had miraculously found the love of a young island woman with whom he shared the secrets of

silent night and deadly flight by rosie sams goodreads - Jul 19 2023

web nov 9 2019 187 ratings16 reviews as christmas approaches french bulldog smudge and baker melody are looking forward to a break that is until they find a body and one of their friends is the prime suspect free with kindle unlimited melody is busy preparing christmas orders and notices that her friend carole archer has put in a huge order

bakers and bulldogs mysteries 20 book series kindle edition - May 17 2023

web paperback from book 1 melody loves her bakery but her quiet life is about to get a lot more exciting when a customer leaves the cutest french bulldog puppy outside her window free with kindle unlimited melody is the best baker in port warren kerry her assistant is just as much a friend as an employee

silent night and deadly flight bakers and bulldog pdf - Nov 11 2022

web silent night and deadly flight bakers and bulldog this is likewise one of the factors by obtaining the soft documents of this silent night and deadly flight bakers and bulldog by online you might not require more time to spend to go to the book establishment as skillfully as search for them in some cases you likewise accomplish not discover

rosie sams freebook holiday cozy mystery silent night - Mar 15 2023

web freebook holiday cozy mystery silent night and deadly flight as christmas approaches french bulldog smudge and baker melody are looking forward to a

silent night and deadly flight bakers and bulldogs mysteries - Aug 20 2023

web 15 47 6 new from 15 47 as christmas approaches french bulldog smudge and baker melody are looking forward to a break that is until they find a body and one of their friends is the prime suspect free with kindle unlimited melody is busy preparing christmas orders and notices that her friend carole archer has put in a huge order

silent night deadly night film series wikipedia - Mar 03 2022

web silent night deadly night is an american horror film series consisting of six films the first film in the series silent night deadly night 1984 originally titled slay ride tells the story of billy a young man who experiences a psychotic break and goes on a murder spree dressed as santa claus the film received theatrical distribution from tristar pictures but

silent night and deadly flight 5 bakers and bulldogs mysteries - Apr 16 2023

web buy silent night and deadly flight 5 bakers and bulldogs mysteries by sams rosie isbn 9781707272587 from amazon s book store everyday low prices and free delivery on eligible orders