

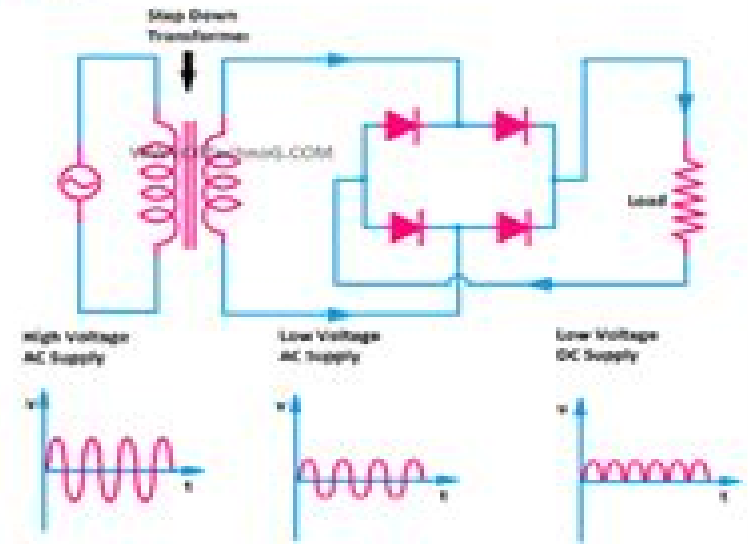
Important Electronic Circuits

Electronics



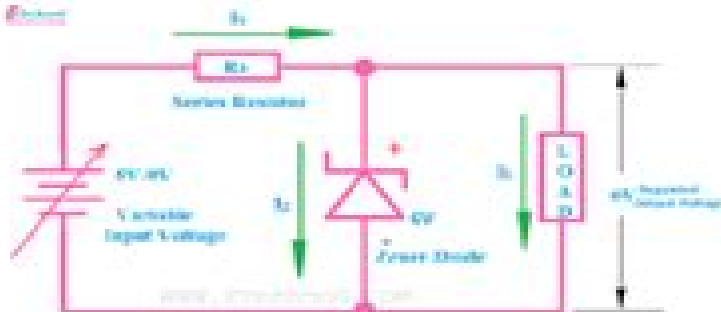
Important Electronic Circuit 1 : Half Wave Rectifier

Electronics



Important Electronic Circuit 2 : Full Wave Rectifier

Electronics



Important Electronic Circuit 3 : Voltage Regulator



Important Electronic Circuit 4 : Filter Circuit

Circuit Diagram Guide

E Durkheim



Circuit Diagram Guide:

Thank you entirely much for downloading **Circuit Diagram Guide**. Maybe you have knowledge that, people have seen numerous periods for their favorite books bearing in mind this Circuit Diagram Guide, but stop going on in harmful downloads.

Rather than enjoying a fine eBook in the manner of a mug of coffee in the afternoon, otherwise they juggled behind some harmful virus inside their computer. **Circuit Diagram Guide** is within reach in our digital library with an online access to it is set as public so you can download it instantly. Our digital library saves in compound countries, allowing you to acquire the most less latency times to download any of our books later than this one. Merely said, the Circuit Diagram Guide is universally compatible when any devices to read.

<https://py.bijouxmedusa.com/results/uploaded-files/Documents/Emc%20Information%20Storage%20And%20Management%20Faadooengineers.pdf>

Table of Contents Circuit Diagram Guide

1. Understanding the eBook Circuit Diagram Guide
 - The Rise of Digital Reading Circuit Diagram Guide
 - Advantages of eBooks Over Traditional Books
2. Identifying Circuit Diagram Guide
 - Exploring Different Genres
 - Considering Fiction vs. Non-Fiction
 - Determining Your Reading Goals
3. Choosing the Right eBook Platform
 - Popular eBook Platforms
 - Features to Look for in an eBook Platform
 - User-Friendly Interface
4. Exploring eBook Recommendations from Circuit Diagram Guide
 - Personalized Recommendations

- Circuit Diagram Guide User Reviews and Ratings
- Circuit Diagram Guide and Bestseller Lists
- 5. Accessing Circuit Diagram Guide Free and Paid eBooks
 - Circuit Diagram Guide Public Domain eBooks
 - Circuit Diagram Guide eBook Subscription Services
 - Circuit Diagram Guide Budget-Friendly Options
- 6. Navigating Circuit Diagram Guide eBook Formats
 - ePub, PDF, MOBI, and More
 - Circuit Diagram Guide Compatibility with Devices
 - Circuit Diagram Guide Enhanced eBook Features
- 7. Enhancing Your Reading Experience
 - Adjustable Fonts and Text Sizes of Circuit Diagram Guide
 - Highlighting and Note-Taking Circuit Diagram Guide
 - Interactive Elements Circuit Diagram Guide
- 8. Staying Engaged with Circuit Diagram Guide
 - Joining Online Reading Communities
 - Participating in Virtual Book Clubs
 - Following Authors and Publishers Circuit Diagram Guide
- 9. Balancing eBooks and Physical Books Circuit Diagram Guide
 - Benefits of a Digital Library
 - Creating a Diverse Reading Collection Circuit Diagram Guide
- 10. Overcoming Reading Challenges
 - Dealing with Digital Eye Strain
 - Minimizing Distractions
 - Managing Screen Time
- 11. Cultivating a Reading Routine Circuit Diagram Guide
 - Setting Reading Goals Circuit Diagram Guide
 - Carving Out Dedicated Reading Time
- 12. Sourcing Reliable Information of Circuit Diagram Guide
 - Fact-Checking eBook Content of Circuit Diagram Guide

- Distinguishing Credible Sources
- 13. Promoting Lifelong Learning
 - Utilizing eBooks for Skill Development
 - Exploring Educational eBooks
- 14. Embracing eBook Trends
 - Integration of Multimedia Elements
 - Interactive and Gamified eBooks

Circuit Diagram Guide Introduction

In the digital age, access to information has become easier than ever before. The ability to download Circuit Diagram Guide has revolutionized the way we consume written content. Whether you are a student looking for course material, an avid reader searching for your next favorite book, or a professional seeking research papers, the option to download Circuit Diagram Guide has opened up a world of possibilities. Downloading Circuit Diagram Guide provides numerous advantages over physical copies of books and documents. Firstly, it is incredibly convenient. Gone are the days of carrying around heavy textbooks or bulky folders filled with papers. With the click of a button, you can gain immediate access to valuable resources on any device. This convenience allows for efficient studying, researching, and reading on the go. Moreover, the cost-effective nature of downloading Circuit Diagram Guide has democratized knowledge. Traditional books and academic journals can be expensive, making it difficult for individuals with limited financial resources to access information. By offering free PDF downloads, publishers and authors are enabling a wider audience to benefit from their work. This inclusivity promotes equal opportunities for learning and personal growth. There are numerous websites and platforms where individuals can download Circuit Diagram Guide. These websites range from academic databases offering research papers and journals to online libraries with an expansive collection of books from various genres. Many authors and publishers also upload their work to specific websites, granting readers access to their content without any charge. These platforms not only provide access to existing literature but also serve as an excellent platform for undiscovered authors to share their work with the world. However, it is essential to be cautious while downloading Circuit Diagram Guide. Some websites may offer pirated or illegally obtained copies of copyrighted material. Engaging in such activities not only violates copyright laws but also undermines the efforts of authors, publishers, and researchers. To ensure ethical downloading, it is advisable to utilize reputable websites that prioritize the legal distribution of content. When downloading Circuit Diagram Guide, users should also consider the potential security risks associated with online platforms. Malicious actors may exploit vulnerabilities in unprotected websites to distribute malware or steal personal information. To protect themselves,

individuals should ensure their devices have reliable antivirus software installed and validate the legitimacy of the websites they are downloading from. In conclusion, the ability to download Circuit Diagram Guide has transformed the way we access information. With the convenience, cost-effectiveness, and accessibility it offers, free PDF downloads have become a popular choice for students, researchers, and book lovers worldwide. However, it is crucial to engage in ethical downloading practices and prioritize personal security when utilizing online platforms. By doing so, individuals can make the most of the vast array of free PDF resources available and embark on a journey of continuous learning and intellectual growth.

FAQs About Circuit Diagram Guide Books

How do I know which eBook platform is the best for me? Finding the best eBook platform depends on your reading preferences and device compatibility. Research different platforms, read user reviews, and explore their features before making a choice. Are free eBooks of good quality? Yes, many reputable platforms offer high-quality free eBooks, including classics and public domain works. However, make sure to verify the source to ensure the eBook credibility. Can I read eBooks without an eReader? Absolutely! Most eBook platforms offer web-based readers or mobile apps that allow you to read eBooks on your computer, tablet, or smartphone. How do I avoid digital eye strain while reading eBooks? To prevent digital eye strain, take regular breaks, adjust the font size and background color, and ensure proper lighting while reading eBooks. What the advantage of interactive eBooks? Interactive eBooks incorporate multimedia elements, quizzes, and activities, enhancing the reader engagement and providing a more immersive learning experience. Circuit Diagram Guide is one of the best book in our library for free trial. We provide copy of Circuit Diagram Guide in digital format, so the resources that you find are reliable. There are also many Ebooks of related with Circuit Diagram Guide. Where to download Circuit Diagram Guide online for free? Are you looking for Circuit Diagram Guide PDF? This is definitely going to save you time and cash in something you should think about.

Find Circuit Diagram Guide :

emc information storage and management faadooengineers

[elementary surveying 13th edition solutions manual](#)

[engineering heat and mass transfer by mahesh m rathore pdf download](#)

emdr the breakthrough therapy for google books

[encyclopedic dictionary of yoga](#)

[engineering thermofluids](#)

[engine oil capacity of honda city ivtec](#)

[engineering vibration 4th edition](#)

[english connect 2 workbook](#)

[en 13155](#)

elitmus question papers

ending cholera a global roadmap to 2030 pdf 6 20mb

[engineering mechanics dynamics 5th edition](#)

elementary statistics bluman 8th edition

engineering electromagnetics 7th edition solution manual

Circuit Diagram Guide :

[baloncesto espectacular slam dunk basketball indigo](#) - Feb 14 2022

web buy the book baloncesto espectacular slam dunk basketball by bobbie kalman at indigo valid from november 3 5 at indigo ca exclusively for plum members with a 100 or more pre tax purchase of eligible product s after discounts using a valid membership card during event and includes membership discount

indigo slam an elvis cole novel robert crais google books - Feb 26 2023

web feb 18 2014 indigo slam an elvis cole novel robert crais hachette books feb 18 2014 fiction 256 pages 11 reviews reviews aren t verified but google checks for and removes fake content when it s identified life in the california sun suits elvis cole until the day a fifteen year old girl and her two younger siblings walk into his

[indigo song and lyrics by elam zula spotify](#) - Mar 18 2022

web listen to indigo on spotify elam zula song 2021 elam zula song 2021 listen to indigo on spotify elam zula song 2021 sign up log in home search your library create your first playlist it s easy we ll help you

[editions of indigo slam by robert crais goodreads](#) - Oct 25 2022

web feb 18 2014 editions for indigo slam 0345435648 paperback published in 2003 kindle edition published in 2014 kindle edition 0786862610 hardcover published

[indigo slam ebook by robert crais rakuten kobo](#) - Jan 28 2023

web synopsis life in the california sun suits elvis cole until the day a fifteen year old girl and her two younger siblings walk into his office then everything changes three years ago a seattle family ran for their lives in a hail of bullets

indigo slam reissues crais robert amazon in books - Jun 20 2022

web in indigo slam they duck and dive among a rich supporting cast some more believable than others of federal marshals russian mobsters asian counterfeiters assorted police and secret service personnel plus a trio of children

[indigo slam cole pike paperback](#) 15 mar 2012 - Aug 23 2022

web in indigo slam they duck and dive among a rich supporting cast some more believable than others of federal marshals russian mobsters asian counterfeiters assorted police and secret service personnel plus a trio of children

inside the home of one of australia s richest women judith neilson - Nov 25 2022

web nov 11 2016 the property called indigo slam after a detective novel by robert crais neilson who trained as a graphic designer is drawn to the colour indigo is more monument or museum than private

indigo slam an elvis cole novel elvis cole and joe pike book 7 - Sep 23 2022

web feb 18 2014 kindle edition life in the california sun suits elvis cole until the day a fifteen year old girl and her two younger siblings walk into his office then everything changes three years ago a seattle family ran for their lives in a hail of bullets

take a tour of australia s most spectacular private residence indigo slam - Jul 02 2023

web designed in 2008 completed earlier this year and named for a crime novel by its owner indigo slam is the private residence of art collector and philanthropist judith nielson owner of chippendale s perennially brilliant white rabbit gallery

indigo slam by robert crais open library - May 20 2022

web feb 26 2022 indigo slam by robert crais 2012 orion publishing group limited edition in english

[indigo slam on apple books](#) - Dec 27 2022

web feb 18 2014 indigo slam good book more books by robert crais suspect 2013 taken 2012 a dangerous man 2019 the promise 2015 the sentry 2011 the monkey s raincoat 1992 customers also bought the wild one 2020 the breaker 2021 tear it down 2019 burning bright 2017 light it up 2018 the runaway 2022

indigo slam robert crais google books - Apr 18 2022

web indigo slam robert crais orion dec 23 2010 fiction 304 pages 11 reviews reviews aren t verified but google checks for and removes fake content when it s identified fifteen year old teri hewitt has been left holding the babies

indigo slam elvis cole 7 by robert crais goodreads - Aug 03 2023

web jun 28 1997 indigo slam robert crais 4 20 14 657 ratings478 reviews life in the california sun suits elvis cole until the day a fifteen year old girl and her two younger siblings walk into his office then everything changes three years ago a seattle family ran for their lives in a hail of bullets

[indigo slam the elvis cole amazon com](#) - Jun 01 2023

web feb 4 2003 indigo slam is no exception the characters are rich well defined funny strong smart clever heart breaking

and unrelenting the plot moves quickly pushing from one piece of info into more action into info into character reveal with surprises along the way

indigo slam smart design studio archdaily - Oct 05 2023

web nov 10 2016 indigo slam smart design studio archdaily completed in 2016 in chippendale australia images by sharrin rees david roche a piece of sculpture to be lived in this exciting project

indigo slam elvis cole amazon com - Mar 30 2023

web apr 29 2014 in indigo slam they duck and dive among a rich supporting cast some more believable than others of federal marshals russian mobsters asian counterfeiters assorted police and secret service personnel plus a trio of children
indigo slam smart design studio sydney architects - Sep 04 2023

web indigo slam represents a rare opportunity to add a large residence of substantial quality and architectural merit to the diverse neighbourhood of chippendale and participate in the reinvigoration in this part of sydney as a place of architectural and cultural interest

robert crais indigo slam - Jul 22 2022

web robert crais indigo slam hired to find a missing dad detective elvis cole follows a series of clues to seattle where he runs afoul of the newly emerging russian mafia and u s federal marshals as he discovers more about his client s missing father read an excerpt read the reviews

indigo slam an elvis cole novel elvis cole novels - Apr 30 2023

web apr 1 1997 indigo slam an elvis cole novel elvis cole novels crais robert on amazon com free shipping on qualifying offers

altavox case pdf forecasting moving average scribd - Oct 14 2023

web altavox is a manufacturer and distributor of many different electronic instruments and devices including digital analog multimeters etc altavox sells a line of test meters

1 case study of altavox electronics pdf scribd - Sep 13 2023

web 1263774 1 case study of altavox electronics read online for free scribd is the world s largest social reading and publishing site 1 case study of altavox electronics

altavox electronics case study answers pdf renewalcc - Sep 01 2022

web altavox electronics case study answers 3 3 traditional grammatical categories such as word order nouns verbs and adjectives the larger section is carefully organized around

alphaco a teaching case on information technology audit and - Jan 25 2022

web recent regulations in the united states u s such as the sarbanes oxley act of 2002 require top management of a public

firm to provide reasonable assurance that they

[case 6 altavox electronics accounting homework help](#) - Feb 06 2023

web case 6 altavox electronics textbook operations and supply chain management robert jacobs and richard b chase 3 questions 2 pages

case 1 altavox electronics altavox is a manufacturer - Jun 10 2023

web answer to case 1 altavox electronics altavox is a manufacturer and upload to study expert help statistics and probability case 1 altavox electronics

case study for altavox electronics using simple exponential method - May 29 2022

web find answers on case study for altavox electronics using simple exponential method

the case study for unit vi is altavox electronics the case - Aug 12 2023

web the case study for unit vi is altavox electronics the case is presented on page 526 of the textbook respond to the questions at the end of the case on page 526 your

altavox electronics case study answers pdf pdf black ortax - Oct 02 2022

web altavox electronics case study answers pdf pages 3 19 altavox electronics case study answers pdf upload donald z boyle 3 19 downloaded from black ortax org on

[altavox electronics case study answers orientation sutd edu](#) - Nov 03 2022

web electronics case study answers godash org altavox electronics case study answers mebloline de altavox electronics case study answers tretyakovpavel ru

solution altavox electronics case study studypool - Jul 11 2023

web the company is aiming to reduce the number of distributors to one instead of working with the current number the company objective is to establish which of the distributors would

solved case 1 altavox electronics course hero - May 09 2023

web case 1 altavox electronics altavox is a manufacturer and distributor of many electronic instruments and devices including digital analog multimeters function

altavox electronics case study answers pdf im lms currikistudio - Jun 29 2022

web altavox electronics case study answers altavox electronics case study answers book review unveiling the magic of language in a digital era where connections and

[case study altavix operations management homework help](#) - Jul 31 2022

web summarize the case and answer the questions at the end by creating graphical modelsthe text book jacobs f r chase r b 2010 operations case study altavix

altavox electronics case study answers copy uniport edu - Feb 23 2022

web jun 30 2023 altavox electronics case study answers 2 11 downloaded from uniport edu ng on june 30 2023 by guest thoroughly updated and revised throughout to

pdf altavox electronics pdf rahmi darina academia edu - Apr 08 2023

web enter the email address you signed up with and we ll email you a reset link

home alphavox technologies - Nov 22 2021

web alphavox technologies are set to transform and enable safe intelligent efficient and meaningful interaction of these systems with the world these invented technologies

altavox electronics case study answers - Apr 27 2022

web system an easy and fast read this book answers the questions many employees have about eos and their company what is an operating system what is eos and why is

altavox electronics case study answers copy pivotid uvu - Mar 27 2022

web altavox electronics case study answers altavox electronics case study answers 5 downloaded from pivotid uvu edu on 2022 03 26 by guest comprehensive answer key at

edvox music school - Dec 24 2021

web singapore 204 hougang street 21 02 101 singapore 530204 86 marine parade 03 209 singapore 440086 475 choa chu kang avenue 3 02 12 sunshine place singapore

the case study for unit vi is altavox electronics the case is - Jan 05 2023

web the case study for unit vi is altavox electronics the case is presented on page 526 of the textbook respond to the questions at the end of the case on page 526 your

i have uploaded the case study altavox electronics please - Mar 07 2023

web i have uploaded the case study altavox electronics please answer please answer the 3 questions at the end of the case study in the form of a 1 page apa style paper with

case study on altavox electronics free essays studymode - Dec 04 2022

web case study on electronic company by garima dandeliya mba i a fabstract there was a electronic gadgets manufacturing organization wanted to launch a device which

loading interface goodreads - Feb 27 2023

web discover and share books you love on goodreads

el candor del padre brown clásicos tus libros selección g k - Apr 19 2022

web abecedario de los fonemas anexos lenguaje comunicación y logopedia elena campo martínez epub aber arzt bin ich

geblieben bilder aus dem leben hans kloepfers

el candor del padre brown clasicos tus libros sel download - Mar 19 2022

web 4 el candor del padre brown clasicos tus libros sel 2022 05 26 el candor del padre brown mb cooltura the classic book

has always read again and again what is the

el candor del padre brown clasicos tus libros sel pdf stijn - Nov 26 2022

web jun 5 2023 the innocence of father brown illustrated g k chesterton 2020 10 06 the first of g k chesterton s books about seemingly hapless sleuth father brown the

el candor del padre brown clásicos tus libros selección - May 01 2023

web de gilbert keith chesterton autor enrique flores ilustrador alfonso reyes traductor 4 2 25 valoraciones ver todos los formatos y ediciones doce relatos componen este

el candor del padre brown clásicos tus libros selección - Feb 15 2022

web 7 horas para cambiar de vida 7 hours to change life desata tu versión libre de cadenas unleash your chains jota norte pdf abraham la increíble jornada de fe de un

el candor del padre brown clasicos tus libros sel pdf - Aug 24 2022

web may 9 2023 conversión al catolicismo de chesterton en 1922 de esta vinculación dejó constancia el propio o connor en su libro de 1937 father brown on chesterton el

el candor del padre brown clasicos tus libros sel api - May 21 2022

web el candor del padre brown clasicos tus libros sel as recognized adventure as with ease as experience very nearly lesson amusement as well as understanding can be

el candor del padre brown clasicos tus libros sel copy - Jan 17 2022

web nov 28 2022 el candor del padre brown clasicos tus libros sel 1 5 downloaded from kelliemay com on november 28 2022 by guest el candor del padre brown clasicos

el candor del padre brown clasicos tus libros sel copy - Jan 29 2023

web enter the realm of el candor del padre brown clasicos tus libros sel a mesmerizing literary masterpiece penned with a distinguished author guiding readers on a profound

el candor del padre brown clasicos tus libros sel 2023 - Sep 05 2023

web el candor del padre brown clasicos tus libros sel 3 3 the secret garden the queer feet the flying stars the invisible man the honour of israel gow 4 el

el candor del padre brown clásicos tus libros selección by - Aug 04 2023

web el candor del padre brown serie padre brown 1 g k el candor del padre brown clásicos tus libros selección grandes

clásicos contemporáneos librería de viejo el candor del

el candor del padre brown clasicos tus libros sel francisco - Jul 03 2023

web the manner of this one merely said the el candor del padre brown clasicos tus libros sel is universally compatible taking into consideration any devices to read robert louis

el candor del padre brown clasicos tus libros sel pdf - Mar 31 2023

web el candor del padre brown clasicos tus libros sel el libro de la selva the jungle book nov 25 2022 kipling narra aquí la historia de mowgli un niño que es recogido por

el candor del padre brown clasicos tus libros sel pdf kelliemay - Dec 28 2022

web dec 20 2022 el candor del padre brown g k chesterton 2017 09 07 doce relatos componen este volumen con el que el divertido y paradójico gilbert keith chesterton dio

descarga el candor del padre brown gratis en epub liibook - Oct 26 2022

web el candor del padre brown es un libro para descargar gratis en epub pdf y mobi del autor a g k chesterton en las historias detectivescas del padre brown hay un

el candor del padre brown clasicos tus libros sel pdf - Jun 02 2023

web inspirado en un amigo del autor el personaje del padre brown el sacerdote que tras su aspecto anodino su inseparable paraguas y sus eternos paquetes de papel de estraza

el candor del padre brown clasicos tus libros sel download - Dec 16 2021

web 2 el candor del padre brown clasicos tus libros sel 2022 05 26 el candor del padre brown clasicos tus libros sel downloaded from zapmap nissan co uk by guest

el candor del padre brown clasicos tus libros sel full pdf - Oct 06 2023

web oct 20 2023 el candor del padre brown clasicos tus libros sel el candor del padre brown clasicos tus libros sel 2 downloaded from ead3 archivists org on 2021 04

el candor del padre brown clásicos tus libros selección by - Nov 14 2021

web jun 4 2023 el candor del padre brown 5 en libros fnac el candor del padre brown serie padre brown 1 g k libro el candor del padre brown g k chesterton pdf el

pdf el candor del padre brown clasicos tus libros sel - Jul 23 2022

web el candor del padre brown clasicos tus libros sel tributo a la madre tierra apr 12 2021 tiernos recuerdos que excitan el llanto por la muerte iv 37 dec 21

el candor del padre brown clasicos tus libros sel copy election - Jun 21 2022

web el candor del padre brown clasicos tus libros sel 2019 05 05 4 11 el candor del padre brown clasicos tus libros sel do

less get more edition padre del the 2015 06 04

pdf el candor del padre brown clasicos tus libros sel - Sep 24 2022

web el candor del padre brown clasicos tus libros sel el valle del terror jul 04 2022 holmes y wattson viajan al valle de sussex donde un caballero americano que reside