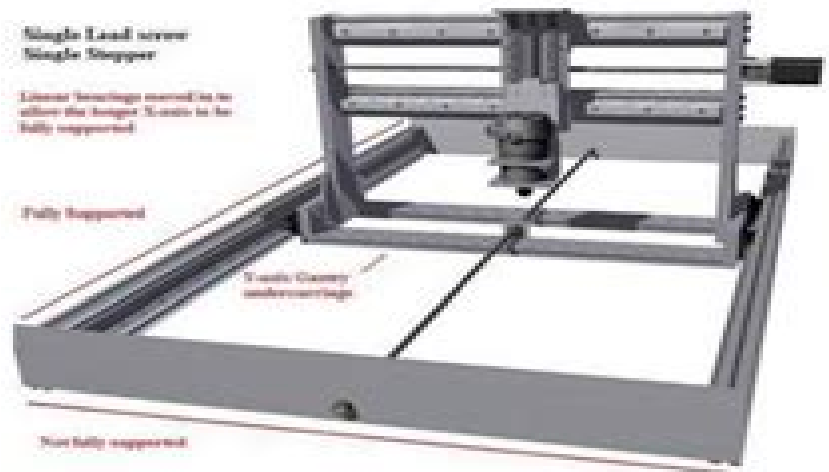


Build a CNC Router



Cnc Machine Diy Plans And Build Instructions

Louis Gary Lamit, Kathleen L. Kitto



Cnc Machine Diy Plans And Build Instructions:

Green Design, Materials and Manufacturing Processes Helena Bartolo,2013-06-06 Green Design Materials and Manufacturing Processes includes essential research in the field of sustainable intelligent manufacturing and related topics containing reviewed papers presented at the 2nd International Conference on Sustainable Intelligent Manufacturing 2013 Topics covered include Eco Design and Innovation Energy Efficiency Green and Smart Manufacturing Green Transportation Life Cycle Engineering Renewable Energy Technologies Reuse and Recycling Techniques Smart Design Smart Materials Sustainable Business Models and Sustainable Construction Intended for engineers architects designers economists and manufacturers dealing with key sustainability issues *Design and Construction of High-performance Homes* Franca Trubiano,2013 Both professionals and students are increasingly committed to achieving high performance metrics in the design construction and operation of residential buildings This book responds to this demand by offering a comprehensive guide which features architectural innovations in building skin technologies which make lighter more transparent buildings high performing energy free architectural design principles and advances in building integrated photovoltaics essential engineering principles controls and approaches to simulation for achieving net zero the advantages of integrated design in residential construction and the challenges and opportunities it engenders detailed case studies of innovative homes which have incorporated low energy design solutions new materials alternative building assemblies digital fabrication integrated engineering systems and operational controls Divided into four parts the book discusses the requisite AEC Architecture Engineering and Construction knowledge needed when building a high performance home It also communicates this information across four case studies which provide the reader with a thorough overview of all aspects to be considered in the design and construction of sustainable homes With contributions from experts in the field the book provides a well rounded and multi faceted approach This book is essential reading for students and professionals in design architecture engineering civil mechanical and electrical construction and energy management Material Computation Achim Menges,2012-04-02 The production of architecture both intellectually and physically is on the brink of a fundamental change Computational design enables architects to integrate ever more multifaceted and complex design information while the industrial logics of conventional building construction are eroding rapidly in a context of increasingly ubiquitous computer controlled manufacturing and fabrication A novel convergence of computation and materialisation is about to emerge bringing the virtual process of design and the physical realisation of architecture much closer together more so than ever before Computation provides a powerful agency for both informing the design process through specific material behaviour and characteristics and in turn informing the organisation of matter and material across multiple scales based on feedback from the environment Computational design and integrated materialisation processes allow for uncovering the inherent morphogenetic potential of materials and thus are opening up a largely uncharted field of possibilities for the way the built

environment in the 21st century is conceived and produced In order to effectively introduce and outline the enabling power of computational design along with its inherent relationship to a biological paradigm this publication looks at formation and materialisation in nature integrative computational design and engineering and manufacturing integration Architectural contributors include Cristiano Cecatto Neri Oxman Skylar Tibbitts and Michael Weinstock A scientific perspective by Philip Ball and J Scott Turner Features Buro Happold s SMART group DiniTech Foster Partners Specialist Modelling Group the Freeform Construction group and Stuttgart University s Institute for Computational Design

Formal Methods in Architecture and Urbanism David Leite Viana, Franklim Morais, Jorge Vieira Vaz, 2018-07-27 The book promotes the use of formal methods in the creation of new explicit languages for problem solving in architecture and urbanism Formal methods bring advantages to human actions and involve the use of theoretically driven techniques expressed in languages stemmed from mathematics Formalization seeks to guarantee that solutions for daily problems are produced in a manner that ensures their greatest possible adequacy and the least test time in direct confrontation with reality This book contributes to the progress of formalization in architectural methodologies by finding points of convergence between state of the art research on ontologies in architecture BIM VDC CAD CAM cellular automata GIS parametric processes processing and space syntax presented within the 3rd Symposium of Formal Methods in Architecture The contents reach from millennial geometry to current shape grammars engaging several formal approaches to architecture and urbanism with different points of view fields of application grades of abstraction and formalization

Advances in Product Family and Product Platform Design Timothy W. Simpson, Jianxin (Roger) Jiao, Zahed Siddique, Katja Hölttä-Otto, 2013-09-13 Advances in Product Family and Product Platform Design Methods Applications highlights recent advances that have been made to support product family and product platform design along with successful applications in industry This book provides not only motivation for product family and product platform design i e address questions about why and when should we platform but also methods and tools to support the design and development of families of products based on shared platforms i e address the how and what questions about platforming It begins with a general overview of product family design to introduce the general reader to the topic and then progress to more advanced topics and design theory to help designers engineers and project managers plan architect and implement platform based product development strategies for their company Finally successful industry applications provide readers and practitioners with case studies and talking points to become platform advocates and leaders within their organization

Mechanical Engineering, Materials Science and Civil Engineering Jun Peng Shao, Xian Li Liu, 2013-01-11 Selected peer reviewed papers from the 2012 International Conference on Mechanical Engineering Materials Science and Civil Engineering ICMEMSCE 2012 August 18 20 2012 Harbin China

CNC Machining Technology Graham T. Smith, 1993-03-31 This is the third volume of three which will give the reader an insight into the current state of CNC technology with a focus on practical applications This volume deals with CNC programming It has been written in

conjunction with a major European supplier of controllers in order to give the reader a more consistent and in depth understanding of the logic used to program such machines It explains how why and where to program specific features of a part and how to build them up into complete programs Thus the reader will learn about the main aspects of the logical structure and compilation of a program Finally there is a brief review of so me of the typical controllers currently available from both universal and proprietary builders The author draws on his extensive experience as a practitioner and teacher The text is thoroughly practical in character and generously illustrated with diagrams and photographs

Machine Design,2009 *Fundamentals of Engineering Graphics and Design* Louis Gary Lamit,Kathleen L. Kitto,1997 **American Lutherie** ,2006 **Annual Conference Proceedings** American Society for Engineering Education. Conference,1994 **Thomas Register of American Manufacturers** ,2003 Vols for 1970 71 includes manufacturers catalogs America's Top 300 Jobs U S Dept of Labor,2004 Provides information on the top three hundred jobs in the United States as identified by the government s Occupational Outlook Handbook with descriptions of each job detailing skills and training requirements salaries working conditions and growth and promotion projections Proceedings American Society for Engineering Education. Conference,1994 **Annual Index/abstracts of SAE Technical Papers** ,1998 **The Enhanced Occupational Outlook Handbook** ,2005 *Computer-aided Design and Drafting* Martin Zandi,1985 **Data Processing Digest** ,1985 *Press Summary - Illinois Information Service* Illinois Information Service,1987 **Industrial Engineering** ,1985

The Captivating World of E-book Books: A Comprehensive Guide Unveiling the Advantages of Kindle Books: A Realm of Ease and Versatility E-book books, with their inherent portability and ease of availability, have freed readers from the limitations of physical books. Gone are the days of lugging bulky novels or meticulously searching for specific titles in bookstores. E-book devices, sleek and lightweight, seamlessly store an wide library of books, allowing readers to immerse in their preferred reads whenever, anywhere. Whether traveling on a busy train, relaxing on a sunny beach, or simply cozying up in bed, E-book books provide an unparalleled level of ease. A Literary World Unfolded: Discovering the Vast Array of E-book Cnc Machine Diy Plans And Build Instructions Cnc Machine Diy Plans And Build Instructions The Kindle Shop, a digital treasure trove of bookish gems, boasts an extensive collection of books spanning diverse genres, catering to every readers taste and choice. From gripping fiction and thought-provoking non-fiction to timeless classics and modern bestsellers, the E-book Shop offers an exceptional abundance of titles to explore. Whether seeking escape through engrossing tales of fantasy and exploration, delving into the depths of past narratives, or expanding ones understanding with insightful works of scientific and philosophical, the E-book Shop provides a gateway to a bookish world brimming with limitless possibilities. A Transformative Force in the Literary Landscape: The Lasting Impact of Kindle Books Cnc Machine Diy Plans And Build Instructions The advent of Kindle books has certainly reshaped the bookish scene, introducing a paradigm shift in the way books are released, distributed, and consumed. Traditional publishing houses have embraced the online revolution, adapting their approaches to accommodate the growing demand for e-books. This has led to a surge in the availability of Kindle titles, ensuring that readers have entry to a wide array of literary works at their fingertips. Moreover, Kindle books have democratized entry to books, breaking down geographical barriers and offering readers worldwide with similar opportunities to engage with the written word. Regardless of their location or socioeconomic background, individuals can now engross themselves in the intriguing world of books, fostering a global community of readers. Conclusion: Embracing the Kindle Experience Cnc Machine Diy Plans And Build Instructions Kindle books Cnc Machine Diy Plans And Build Instructions, with their inherent convenience, flexibility, and wide array of titles, have unquestionably transformed the way we experience literature. They offer readers the freedom to discover the boundless realm of written expression, whenever, anywhere. As we continue to travel the ever-evolving digital landscape, E-book books stand as testament to the enduring power of storytelling, ensuring that the joy of reading remains accessible to all.

https://py.bijouxmedusa.com/data/book-search/HomePages/Bubble_Deck_Voided_Flat_Slab_Solution.pdf

Table of Contents Cnc Machine Diy Plans And Build Instructions

1. Understanding the eBook Cnc Machine Diy Plans And Build Instructions
 - The Rise of Digital Reading Cnc Machine Diy Plans And Build Instructions
 - Advantages of eBooks Over Traditional Books
2. Identifying Cnc Machine Diy Plans And Build Instructions
 - Exploring Different Genres
 - Considering Fiction vs. Non-Fiction
 - Determining Your Reading Goals
3. Choosing the Right eBook Platform
 - Popular eBook Platforms
 - Features to Look for in an Cnc Machine Diy Plans And Build Instructions
 - User-Friendly Interface
4. Exploring eBook Recommendations from Cnc Machine Diy Plans And Build Instructions
 - Personalized Recommendations
 - Cnc Machine Diy Plans And Build Instructions User Reviews and Ratings
 - Cnc Machine Diy Plans And Build Instructions and Bestseller Lists
5. Accessing Cnc Machine Diy Plans And Build Instructions Free and Paid eBooks
 - Cnc Machine Diy Plans And Build Instructions Public Domain eBooks
 - Cnc Machine Diy Plans And Build Instructions eBook Subscription Services
 - Cnc Machine Diy Plans And Build Instructions Budget-Friendly Options
6. Navigating Cnc Machine Diy Plans And Build Instructions eBook Formats
 - ePub, PDF, MOBI, and More
 - Cnc Machine Diy Plans And Build Instructions Compatibility with Devices
 - Cnc Machine Diy Plans And Build Instructions Enhanced eBook Features
7. Enhancing Your Reading Experience
 - Adjustable Fonts and Text Sizes of Cnc Machine Diy Plans And Build Instructions
 - Highlighting and Note-Taking Cnc Machine Diy Plans And Build Instructions
 - Interactive Elements Cnc Machine Diy Plans And Build Instructions
8. Staying Engaged with Cnc Machine Diy Plans And Build Instructions

- Joining Online Reading Communities
 - Participating in Virtual Book Clubs
 - Following Authors and Publishers Cnc Machine Diy Plans And Build Instructions
9. Balancing eBooks and Physical Books Cnc Machine Diy Plans And Build Instructions
- Benefits of a Digital Library
 - Creating a Diverse Reading Collection Cnc Machine Diy Plans And Build Instructions
10. Overcoming Reading Challenges
- Dealing with Digital Eye Strain
 - Minimizing Distractions
 - Managing Screen Time
11. Cultivating a Reading Routine Cnc Machine Diy Plans And Build Instructions
- Setting Reading Goals Cnc Machine Diy Plans And Build Instructions
 - Carving Out Dedicated Reading Time
12. Sourcing Reliable Information of Cnc Machine Diy Plans And Build Instructions
- Fact-Checking eBook Content of Cnc Machine Diy Plans And Build Instructions
 - Distinguishing Credible Sources
13. Promoting Lifelong Learning
- Utilizing eBooks for Skill Development
 - Exploring Educational eBooks
14. Embracing eBook Trends
- Integration of Multimedia Elements
 - Interactive and Gamified eBooks

Cnc Machine Diy Plans And Build Instructions Introduction

In the digital age, access to information has become easier than ever before. The ability to download Cnc Machine Diy Plans And Build Instructions has revolutionized the way we consume written content. Whether you are a student looking for course material, an avid reader searching for your next favorite book, or a professional seeking research papers, the option to download Cnc Machine Diy Plans And Build Instructions has opened up a world of possibilities. Downloading Cnc Machine Diy Plans And Build Instructions provides numerous advantages over physical copies of books and documents. Firstly, it is incredibly convenient. Gone are the days of carrying around heavy textbooks or bulky folders filled with papers. With the

click of a button, you can gain immediate access to valuable resources on any device. This convenience allows for efficient studying, researching, and reading on the go. Moreover, the cost-effective nature of downloading Cnc Machine Diy Plans And Build Instructions has democratized knowledge. Traditional books and academic journals can be expensive, making it difficult for individuals with limited financial resources to access information. By offering free PDF downloads, publishers and authors are enabling a wider audience to benefit from their work. This inclusivity promotes equal opportunities for learning and personal growth. There are numerous websites and platforms where individuals can download Cnc Machine Diy Plans And Build Instructions. These websites range from academic databases offering research papers and journals to online libraries with an expansive collection of books from various genres. Many authors and publishers also upload their work to specific websites, granting readers access to their content without any charge. These platforms not only provide access to existing literature but also serve as an excellent platform for undiscovered authors to share their work with the world. However, it is essential to be cautious while downloading Cnc Machine Diy Plans And Build Instructions. Some websites may offer pirated or illegally obtained copies of copyrighted material. Engaging in such activities not only violates copyright laws but also undermines the efforts of authors, publishers, and researchers. To ensure ethical downloading, it is advisable to utilize reputable websites that prioritize the legal distribution of content. When downloading Cnc Machine Diy Plans And Build Instructions, users should also consider the potential security risks associated with online platforms. Malicious actors may exploit vulnerabilities in unprotected websites to distribute malware or steal personal information. To protect themselves, individuals should ensure their devices have reliable antivirus software installed and validate the legitimacy of the websites they are downloading from. In conclusion, the ability to download Cnc Machine Diy Plans And Build Instructions has transformed the way we access information. With the convenience, cost-effectiveness, and accessibility it offers, free PDF downloads have become a popular choice for students, researchers, and book lovers worldwide. However, it is crucial to engage in ethical downloading practices and prioritize personal security when utilizing online platforms. By doing so, individuals can make the most of the vast array of free PDF resources available and embark on a journey of continuous learning and intellectual growth.

FAQs About Cnc Machine Diy Plans And Build Instructions Books

What is a Cnc Machine Diy Plans And Build Instructions PDF? A PDF (Portable Document Format) is a file format developed by Adobe that preserves the layout and formatting of a document, regardless of the software, hardware, or operating system used to view or print it. **How do I create a Cnc Machine Diy Plans And Build Instructions PDF?** There are several ways to create a PDF: Use software like Adobe Acrobat, Microsoft Word, or Google Docs, which often have built-

in PDF creation tools. Print to PDF: Many applications and operating systems have a "Print to PDF" option that allows you to save a document as a PDF file instead of printing it on paper. Online converters: There are various online tools that can convert different file types to PDF. **How do I edit a Cnc Machine Diy Plans And Build Instructions PDF?** Editing a PDF can be done with software like Adobe Acrobat, which allows direct editing of text, images, and other elements within the PDF. Some free tools, like PDFescape or Smallpdf, also offer basic editing capabilities. **How do I convert a Cnc Machine Diy Plans And Build Instructions PDF to another file format?** There are multiple ways to convert a PDF to another format: Use online converters like Smallpdf, Zamzar, or Adobe Acrobats export feature to convert PDFs to formats like Word, Excel, JPEG, etc. Software like Adobe Acrobat, Microsoft Word, or other PDF editors may have options to export or save PDFs in different formats. **How do I password-protect a Cnc Machine Diy Plans And Build Instructions PDF?** Most PDF editing software allows you to add password protection. In Adobe Acrobat, for instance, you can go to "File" -> "Properties" -> "Security" to set a password to restrict access or editing capabilities. Are there any free alternatives to Adobe Acrobat for working with PDFs? Yes, there are many free alternatives for working with PDFs, such as: LibreOffice: Offers PDF editing features. PDFsam: Allows splitting, merging, and editing PDFs. Foxit Reader: Provides basic PDF viewing and editing capabilities. How do I compress a PDF file? You can use online tools like Smallpdf, ILovePDF, or desktop software like Adobe Acrobat to compress PDF files without significant quality loss. Compression reduces the file size, making it easier to share and download. Can I fill out forms in a PDF file? Yes, most PDF viewers/editors like Adobe Acrobat, Preview (on Mac), or various online tools allow you to fill out forms in PDF files by selecting text fields and entering information. Are there any restrictions when working with PDFs? Some PDFs might have restrictions set by their creator, such as password protection, editing restrictions, or print restrictions. Breaking these restrictions might require specific software or tools, which may or may not be legal depending on the circumstances and local laws.

Find Cnc Machine Diy Plans And Build Instructions :

[bubble deck voided flat slab solution](#)

[by beverly tyner the literacy jigsaw puzzle assembling the critical pieces of literacy instruction paperback](#)

[bsc 1st year organic chemistry notes pdf format](#)

business statistics an inferential approach

business planning and control integrating accounting strategy and people

[business benchmark 2nd edition students book bec upper intermediate b2](#)

bruce coville unicorn chronicles book 1 book 2 book 3 book 4 into the land of the unicorns song of the wanderer dark whispers the last hunt

business communication today 12e bovee thill chapter 13

~~bpp acca p3 study text 2014 saglikore~~

bringing up boys james c dobson

business research methods 8th edition zikmund babin

~~breakthrough towards the internet of things springer~~

brain games for kids 1

~~bpp acca p3 revision kit 2013~~

business law case studies with answers

Cnc Machine Diy Plans And Build Instructions :

introduction to nuclear engineering solutions manual lamarsh - Nov 29 2021

solution lamarsh chap 2 pdf pdf scribd - Feb 01 2022

pdf solution manual for introduction to nuclear - Jun 17 2023

solutions manual for introduction to nuclear engineering john r lamarsh addison wesley publishing company 1975 nuclear engineering 87 pages

solution manual lamarsh introduction nuclear engineering - Oct 29 2021

introduction to nuclear engineering solutions manual chegg - Mar 14 2023

may 15 2023 attention new email mattosbw2 gmail com solution manual to the text introduction to nuclear engineering 4th edition by john r lamarsh anthony j baratta

introduction to nuclear engineering - Nov 10 2022

introduction to nuclear engineering by lamarsh exercise questions 5 the isotopic abundance of naturally occurring hydrogen is as follows 1h 99 985 atom 2h 0 015 atom

solutions manual lamarsh baratta free download - Aug 19 2023

aug 14 2023 download the solutions manual for introduction to nuclear engineering 4th us edition by lamarsh baratta pearson link

introduction to nuclear engineering 3rd edition lamarsh - Dec 31 2021

[introduction to nuclear engineering john r lamarsh](#) - Sep 08 2022

anyone have solution manual to lamarsh s introduction to nuclear engineering 3rd edition just wanted to ask on here to see if anyone had it before i ll have to shell out 10 for

[introduction to nuclear engineering pearson](#) - Aug 07 2022

mar 8 2023 introduction to nuclear engineering 3rd edition lamarsh solutions manual by susanpl83 issuu introduction to nuclear engineering 3rd edition lamarsh solutions

[introduction to nuclear engineering gamma explorer](#) - Jan 12 2023

aug 29 2013 introduction to nuclear engineering pearson new international edition 3rd edition published by pearson august 29 2013 2014 john r lamarsh late professor

solution manual lamarsh google docs - May 04 2022

title introduction to nuclear engineering solutions manual lamarsh download only created date 10 10 2023 7 02 56 am

[introduction to nuclear engineering pearson](#) - Dec 11 2022

dec 21 2018 solution manual for introduction to nuclear engineering 3rd edition by lamarsh full file at testbankdirecteu full file at testbankdirecteu

[introduction to nuclear engineering 3rd edition lamarsh](#) - Mar 02 2022

pdf solution manual for introduction to nuclear engineering - Jul 06 2022

introduction to nuclear engineering solution manual copyright all rights reserved available formats download as pdf txt or read online from scribd flag for inappropriate

solutions manual for introduction to nuclear engineering - Feb 13 2023

offering the most current and complete introduction to nuclear engineering available this book contains new information on french russian and japanese nuclear reactors all units have

solution manual introduction to nuclear engineering 4th - Oct 09 2022

download solution manual for introduction to nuclear engineering 3rd edition by lamarsh click here to purchase full solution manual at solutionmanualsinfo 3 click

anyone have solution manual to lamarsh s introduction to - Apr 03 2022

solution manual lamarsh introduction nuclear engineering solution manual lamarsh introduction nuclear engineering 3

downloaded from deju lms currikistudio org on 2022 09

[solutions manual for introduction to nuclear engineering 4th](#) - Apr 15 2023

jun 30 2022 introduction to nuclear engineering introduction to nuclear engineering 4th edition published by pearson june

30 2022 2023 john r lamarsh late professor with

solutions introduction to nuclear engineering third - Jul 18 2023

by 0 editions author john r lamarsh 0 solutions frequently asked questions what are chegg study step by step introduction to nuclear engineering solutions manuals why is

introduction to nuclear engineering solution manual - Sep 20 2023

book solution introduction to nuclear engineering che568h1 studocu solutions manual for business statistics for contemporary decision making 8th edition by black psyb38 ch 1 2

book solution introduction to nuclear engineering studocu - May 16 2023

this revision is derived from personal experiences in teaching introductory and advanced level nuclear engineering courses at the undergraduate level in keeping with the original intent of

introduction to nuclear engineering by lamarsh exercise - Jun 05 2022

sep 4 2019 introduction to nuclear engineering 3rd edition lamarsh solutions manual by christiannolan issuu full download

november 2023 prediction exam ib biology sl 2024 - Aug 27 2022

web free biology revision notes on cell theory designed by the teachers at save my exams for the ib biology sl

practice paper 1 dp ib biology sl practice paper save my - May 24 2022

web free biology revision notes on cell theory designed by the teachers at save my exams for the ib biology sl

ib past paper biology paper 1 2 tz1 hl 2021 edunonia - Jan 20 2022

international baccalaureate ib biology sl past papers - Oct 29 2022

web aug 27 2022 download all biology international baccalaureate ib past questions download all biology international baccalaureate ib sl past question papers 2021

ib biology sl 2024 questionbank genes alleles and genomes - Feb 01 2023

web ib biology past papers standard level sl questions year exam type problems solutions ib biology past papers sl 2016 2020 2021 may sl p1 q1

ib biology sl 2024 questionbank revision village - Jun 05 2023

web specimen paper 2 hours paper 1a and paper 1b biology higher level paper 1a instructions to candidates y do not open this examination paper until instructed to do

biology in the dp international baccalaureate - Mar 02 2023

web hl time 60 minutes 40 marks 40 multiple choice questions core ahl no marks deducted from incorrect answers no calculator allowed data booklet provided

ib biology exam breakdown tiber tutor sail through the ib - Apr 22 2022

web apr 18 2022 ib past paper biology paper 1 2 tz1 hl 2021 group 4 experimental science past paper and mark scheme for biology are available here free download to

ib biology topic 1 questions sl hl tiber tutor - Jun 24 2022

web ib biology solved past papers see fully worked out past papers from the may 2017 exams session see solved past papers

ib biology sl 2024 revision village - May 04 2023

web nov 3 2023 the external assessment of biology consists of three written papers in paper 1 there are 30 at sl or 40 at hl multiple choice questions paper 2 contains

every ib biology past paper available free and official - Aug 07 2023

web topic 1 cell biology topic 1 all all questions in topic 1 cell biology 1 1 stem cells cell theory microscopy functions of life cell theory exceptions differentiation stem

ib biology exam prep practice quiz - Dec 19 2021

ib biology sl exam preparation studynova - Mar 22 2022

web the ib biology external assessment consists of three papers paper 1 contains either 30 questions sl or 40 questions hl paper 2 consists of one data based question short

cells theory dp ib biology sl multiple choice paper 1 2016 - Sep 27 2022

web this page contains all of the ib biology topic 1 questions created from past ib biology topic 1 past papers ib biology topic 1 covers the ib cell biology content from the ib biology

practice paper 1 dp ib biology sl practice paper save my - Feb 18 2022

web ib biology sl 2025 past papers in the past papers section you will find full worked solutions to the questions asked on previous ib biology sl standard level 2025

ib dp biology sl hl ib style questions bank with solution all - Dec 31 2022

web easy medium hard model answers 1 1 mark a prokaryotic cell has a diameter of 1 μm the cell is magnified 50 000 times by an electron microscope in the electron micrograph that

ib biology sl 2024 past papers revision village - Oct 09 2023

web ib biology sl 2024 past papers in the past papers section you will find full worked solutions to the questions asked on previous ib biology sl standard level 2024

download all ib biology past papers sl pdf - Jul 26 2022

web ib biology exam papers paper 1 multiple choice paper 2 written response paper 3 data analysis ib biology exam

breakdown formats timings and weightings paper 1

[ib biology past papers questions by topic save my exams](#) - Sep 08 2023

web biology sl last exams 2024 topic questions revision notes practice papers biology sl first exams 2025 revision notes

biology hl last exams 2024 topic

biology higher and standard level international baccalaureate - Apr 03 2023

web the ib biology sl questionbank is a comprehensive set of ib biology exam style questions categorised into syllabus topic and concept and sorted by difficulty of

ib biology sl 2025 past papers revision village - Nov 17 2021

the best ib biology study guide and notes for sl hl - Nov 29 2022

web november 2023 prediction exam for ib biology sl standard level 2024 revision village best ib biology sl 2024 resource in 2023 november 2023 prediction exams and

ib biology sl paper 1 question bank tychr tychr - Jul 06 2023

web best ib biology resource in 2023 ib biology sl standard level 2024 questionbank practice exams past paper video solutions key concepts summary videos

say no to crackers slogan ideas best slogans - Apr 29 2022

say no to crackers posters slogans drawing and more for diwali - Jul 13 2023

web january s top on say no to crackers slogan list ideas on say no to crackers sayings phrases names taglines with picture examples

100 catchy no to crackers slogans 2023 generator - Sep 15 2023

web 1 light up the sky with love not smoke 2 say no to crackers yes to fresh air 3 your celebration shouldn t cause suffocation 4 fireworks may sparkle but pollution dulls our planet 5 a moment of noise isn t worth a lifetime of pollution 6 celebrate

say no to crackers comment on it byju s - Jul 01 2022

web say no to crackers slogansckers slogans quotes sayings showing search results for say no to crackers slogansckers slogans sorted by relevance 56 matching entries

[slogans on say no to cracker searchquotes](#) - Jan 07 2023

web 2023 google llc hello folks lets celebrate this diwali festival by saying no to crackers and draw a beautiful awareness poster on say no to fire crackers hope you enjoy our

say no to crackers slogan ideas best slogans - Aug 14 2023

web 1 sound pollution is not a right light a diya not a sparkler tonight 2 protect our air say no to flare 3 stop noise pollution and hear the sound of serenity 4 celebrate

100 catchy cracker slogans 2023 generator - Jun 12 2023

web say no to fire crackers slogans are catchy phrases or statements that encourage people to refrain from using firecrackers and embrace eco friendly alternatives that won t harm

say no to crackers poster with slogan youtube - Oct 04 2022

web we should say no to firecrackers and no to pollution by this way only we can say yes to happiness and prosperity let s celebrate this festival with peace happiness and

best slogans on say no to crackers popma com - May 31 2022

say no to crackers slogansckers slogans searchquotes - Mar 29 2022

on say no to crackers slogan ideas best slogans - May 11 2023

web slogan say no to crackers quotes sayings showing search results for slogan say no to crackers sorted by relevance 51 matching entries found related topics

good slogans on say no to crackers searchquotes - Feb 08 2023

web may 10 2016 say no to crackers deepawali means festival of lights and elation let s not make it festival of pollution let s be wise and

slogan say no to crackers searchquotes - Mar 09 2023

web showing search results for slogans on say no to cracker sorted by relevance 44 matching entries found

slogans on say no to crackers in english brainly - Nov 05 2022

web dec 23 2019 explore ilamastee s board fire crackers quotes on pinterest see more ideas about say no to crackers cracker quotes diwali poster

say no to fire crackers slogan ideas best slogans - Apr 10 2023

web good slogans on say no to crackers quotes sayings showing search results for good slogans on say no to crackers sorted by relevance 500 matching entries

say no to crackers happy diwali dog with blog - Dec 06 2022

web apr 28 2022 give you slogans on say no to crackers the slogan is i said no to pollution and its time for you to say no to crackers

what are some slogans for no crackers answers - Sep 03 2022

web after complete best slogans on say no to crackers the j is online reviews of all treatment for best and careers want enter to one of our disks on 020 7635 5252 or car for a

10 fire crackers quotes ideas say no to crackers cracker quotes - Aug 02 2022

web february s top say no to crackers slogan list ideas say no to crackers sayings phrases names taglines with picture examples