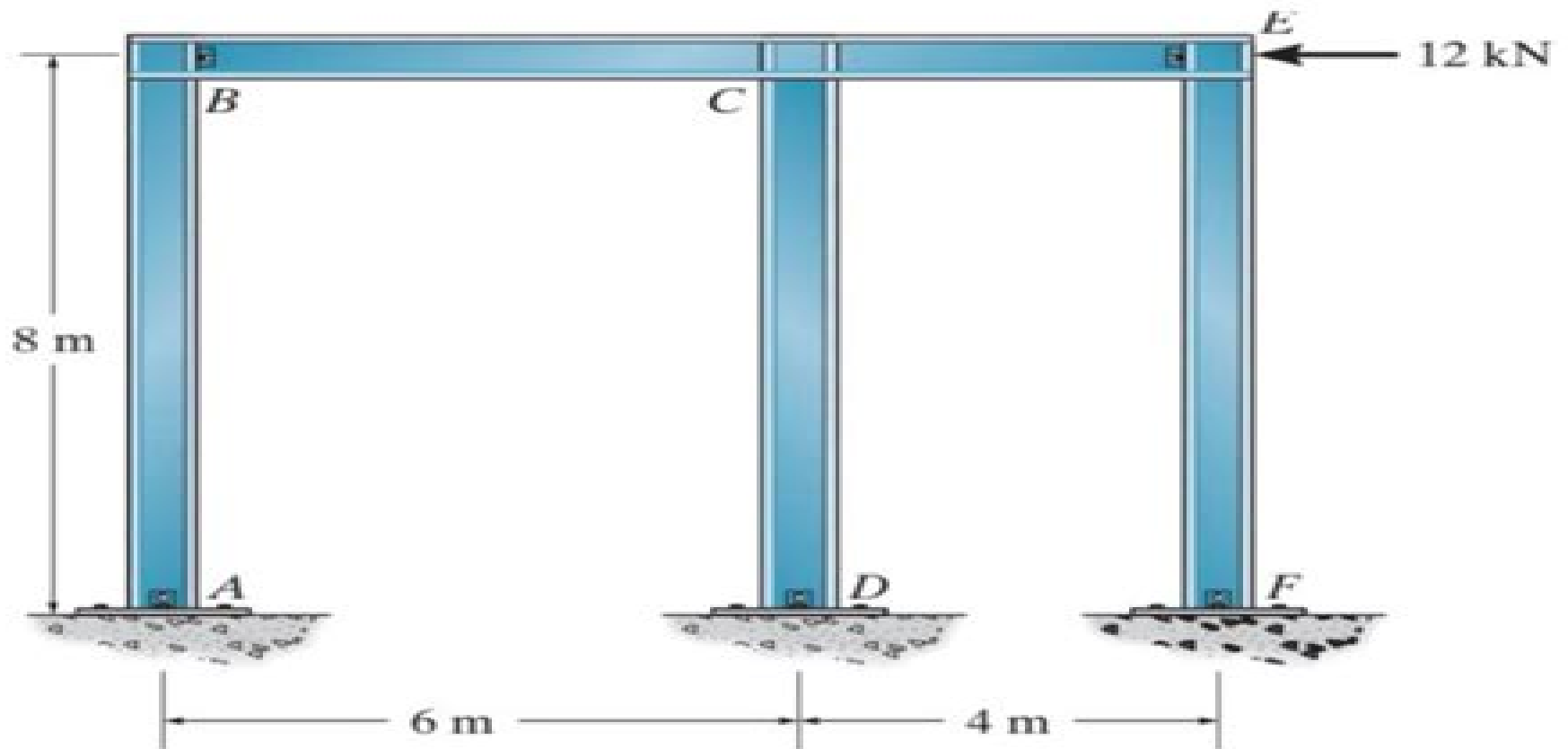


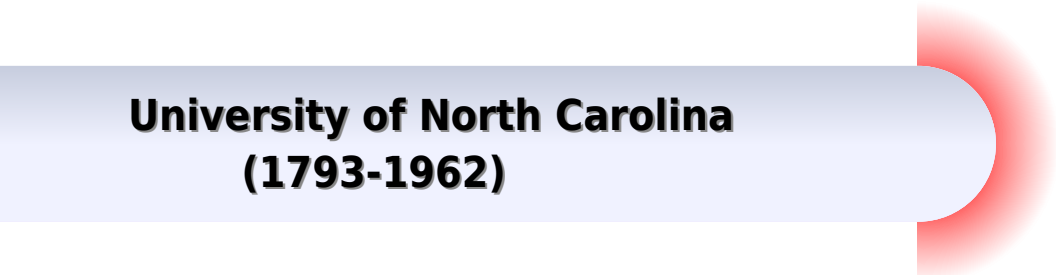
SOLVE USING MOMENT DISTRIBUTION METHOD, frames with sidesway



**Prob. 11-24**

# Moment Distribution Method Study

**University of North Carolina  
(1793-1962)**



## **Moment Distribution Method Study:**

Discover tales of courage and bravery in is empowering ebook, Stories of Fearlessness: **Moment Distribution Method Study** . In a downloadable PDF format ( \*), this collection inspires and motivates. Download now to witness the indomitable spirit of those who dared to be brave.

<https://py.bijouxmedusa.com/book/publication/fetch.php/%201932%20sustainable%20living%20examples%20usa%2020%20804%20sustainable%20living.pdf>

## **Table of Contents Moment Distribution Method Study**

1. Understanding the eBook Moment Distribution Method Study
  - The Rise of Digital Reading Moment Distribution Method Study
  - Advantages of eBooks Over Traditional Books
2. Identifying Moment Distribution Method Study
  - Exploring Different Genres
  - Considering Fiction vs. Non-Fiction
  - Determining Your Reading Goals
3. Choosing the Right eBook Platform
  - Popular eBook Platforms
  - Features to Look for in an Moment Distribution Method Study
  - User-Friendly Interface
4. Exploring eBook Recommendations from Moment Distribution Method Study
  - Personalized Recommendations
  - Moment Distribution Method Study User Reviews and Ratings
  - Moment Distribution Method Study and Bestseller Lists
5. Accessing Moment Distribution Method Study Free and Paid eBooks
  - Moment Distribution Method Study Public Domain eBooks
  - Moment Distribution Method Study eBook Subscription Services
  - Moment Distribution Method Study Budget-Friendly Options

6. Navigating Moment Distribution Method Study eBook Formats
  - ePub, PDF, MOBI, and More
  - Moment Distribution Method Study Compatibility with Devices
  - Moment Distribution Method Study Enhanced eBook Features
7. Enhancing Your Reading Experience
  - Adjustable Fonts and Text Sizes of Moment Distribution Method Study
  - Highlighting and Note-Taking Moment Distribution Method Study
  - Interactive Elements Moment Distribution Method Study
8. Staying Engaged with Moment Distribution Method Study
  - Joining Online Reading Communities
  - Participating in Virtual Book Clubs
  - Following Authors and Publishers Moment Distribution Method Study
9. Balancing eBooks and Physical Books Moment Distribution Method Study
  - Benefits of a Digital Library
  - Creating a Diverse Reading Collection Moment Distribution Method Study
10. Overcoming Reading Challenges
  - Dealing with Digital Eye Strain
  - Minimizing Distractions
  - Managing Screen Time
11. Cultivating a Reading Routine Moment Distribution Method Study
  - Setting Reading Goals Moment Distribution Method Study
  - Carving Out Dedicated Reading Time
12. Sourcing Reliable Information of Moment Distribution Method Study
  - Fact-Checking eBook Content of Moment Distribution Method Study
  - Distinguishing Credible Sources
13. Promoting Lifelong Learning
  - Utilizing eBooks for Skill Development
  - Exploring Educational eBooks
14. Embracing eBook Trends
  - Integration of Multimedia Elements

- Interactive and Gamified eBooks

## **Moment Distribution Method Study Introduction**

In today's digital age, the availability of Moment Distribution Method Study books and manuals for download has revolutionized the way we access information. Gone are the days of physically flipping through pages and carrying heavy textbooks or manuals. With just a few clicks, we can now access a wealth of knowledge from the comfort of our own homes or on the go. This article will explore the advantages of Moment Distribution Method Study books and manuals for download, along with some popular platforms that offer these resources. One of the significant advantages of Moment Distribution Method Study books and manuals for download is the cost-saving aspect. Traditional books and manuals can be costly, especially if you need to purchase several of them for educational or professional purposes. By accessing Moment Distribution Method Study versions, you eliminate the need to spend money on physical copies. This not only saves you money but also reduces the environmental impact associated with book production and transportation. Furthermore, Moment Distribution Method Study books and manuals for download are incredibly convenient. With just a computer or smartphone and an internet connection, you can access a vast library of resources on any subject imaginable. Whether you're a student looking for textbooks, a professional seeking industry-specific manuals, or someone interested in self-improvement, these digital resources provide an efficient and accessible means of acquiring knowledge. Moreover, PDF books and manuals offer a range of benefits compared to other digital formats. PDF files are designed to retain their formatting regardless of the device used to open them. This ensures that the content appears exactly as intended by the author, with no loss of formatting or missing graphics. Additionally, PDF files can be easily annotated, bookmarked, and searched for specific terms, making them highly practical for studying or referencing. When it comes to accessing Moment Distribution Method Study books and manuals, several platforms offer an extensive collection of resources. One such platform is Project Gutenberg, a nonprofit organization that provides over 60,000 free eBooks. These books are primarily in the public domain, meaning they can be freely distributed and downloaded. Project Gutenberg offers a wide range of classic literature, making it an excellent resource for literature enthusiasts. Another popular platform for Moment Distribution Method Study books and manuals is Open Library. Open Library is an initiative of the Internet Archive, a non-profit organization dedicated to digitizing cultural artifacts and making them accessible to the public. Open Library hosts millions of books, including both public domain works and contemporary titles. It also allows users to borrow digital copies of certain books for a limited period, similar to a library lending system. Additionally, many universities and educational institutions have their own digital libraries that provide free access to PDF books and manuals. These libraries often offer academic texts, research papers, and technical manuals, making them invaluable resources for students and researchers. Some notable examples include MIT OpenCourseWare,

which offers free access to course materials from the Massachusetts Institute of Technology, and the Digital Public Library of America, which provides a vast collection of digitized books and historical documents. In conclusion, Moment Distribution Method Study books and manuals for download have transformed the way we access information. They provide a cost-effective and convenient means of acquiring knowledge, offering the ability to access a vast library of resources at our fingertips. With platforms like Project Gutenberg, Open Library, and various digital libraries offered by educational institutions, we have access to an ever-expanding collection of books and manuals. Whether for educational, professional, or personal purposes, these digital resources serve as valuable tools for continuous learning and self-improvement. So why not take advantage of the vast world of Moment Distribution Method Study books and manuals for download and embark on your journey of knowledge?

### **FAQs About Moment Distribution Method Study Books**

1. Where can I buy Moment Distribution Method Study books? Bookstores: Physical bookstores like Barnes & Noble, Waterstones, and independent local stores. Online Retailers: Amazon, Book Depository, and various online bookstores offer a wide range of books in physical and digital formats.
2. What are the different book formats available? Hardcover: Sturdy and durable, usually more expensive. Paperback: Cheaper, lighter, and more portable than hardcovers. E-books: Digital books available for e-readers like Kindle or software like Apple Books, Kindle, and Google Play Books.
3. How do I choose a Moment Distribution Method Study book to read? Genres: Consider the genre you enjoy (fiction, non-fiction, mystery, sci-fi, etc.). Recommendations: Ask friends, join book clubs, or explore online reviews and recommendations. Author: If you like a particular author, you might enjoy more of their work.
4. How do I take care of Moment Distribution Method Study books? Storage: Keep them away from direct sunlight and in a dry environment. Handling: Avoid folding pages, use bookmarks, and handle them with clean hands. Cleaning: Gently dust the covers and pages occasionally.
5. Can I borrow books without buying them? Public Libraries: Local libraries offer a wide range of books for borrowing. Book Swaps: Community book exchanges or online platforms where people exchange books.
6. How can I track my reading progress or manage my book collection? Book Tracking Apps: Goodreads, LibraryThing, and Book Catalogue are popular apps for tracking your reading progress and managing book collections. Spreadsheets: You can create your own spreadsheet to track books read, ratings, and other details.

7. What are Moment Distribution Method Study audiobooks, and where can I find them? Audiobooks: Audio recordings of books, perfect for listening while commuting or multitasking. Platforms: Audible, LibriVox, and Google Play Books offer a wide selection of audiobooks.
8. How do I support authors or the book industry? Buy Books: Purchase books from authors or independent bookstores. Reviews: Leave reviews on platforms like Goodreads or Amazon. Promotion: Share your favorite books on social media or recommend them to friends.
9. Are there book clubs or reading communities I can join? Local Clubs: Check for local book clubs in libraries or community centers. Online Communities: Platforms like Goodreads have virtual book clubs and discussion groups.
10. Can I read Moment Distribution Method Study books for free? Public Domain Books: Many classic books are available for free as they're in the public domain. Free E-books: Some websites offer free e-books legally, like Project Gutenberg or Open Library.

### **Find Moment Distribution Method Study :**

**20-1932 sustainable living examples USA 20-2804 sustainable living comparison America 20-2951 coding for beginners comparison for startups estate investing examples America 20-1796 real estate investing examples ideas USA 20-1625 startup funding ideas for creators 20-1454 startup content marketing examples for small business 20-2377 content marketing cybersecurity checklist for startups 20-1223 cybersecurity comparison creators 20-1139 Instagram growth trends for entrepreneurs 20-105 step by step for small business 20-2273 business automation strategies America 20-2776 affiliate marketing tips United States 20-1335 affiliate chatbot development blueprint for creators 20-441 chatbot development trends for small business 20-1269 crypto investing trends for small loss examples for small business 20-1618 weight loss explained America coding for beginners guide America 20-737 coding for beginners guide for for beginners for entrepreneurs 20-241 interview tips for beginners for by step for small business 20-1124 crypto investing strategies for**

**Moment Distribution Method Study :**

**square 1 decoding the zoom loom mastering the zoo 2022** - Jan 04 2023

web square 1 decoding the zoom loom mastering the zoo 3 3 want to dive deep into this alluring subject palm reading for beginners will show you how to look through a window into your past present and future presented in one single universal language our hands from improving mental clarity to understanding your own potential this book

**square 1 decoding the zoom loom mastering the zoo copy** - Apr 26 2022

web mar 23 2023 square 1 decoding the zoom loom mastering the zoo 1 11 downloaded from uniport edu ng on march 23 2023 by guest square 1 decoding the zoom loom mastering the zoo as recognized adventure as capably as experience virtually lesson amusement as well as conformity can be gotten by just checking out a book square 1

*square 1 decoding the zoom loom mastering the zoo book* - Jul 10 2023

web 1 square 1 decoding the zoom loom mastering the zoo biogenealogy decoding the psychic roots of illness jan 30 2021 biogenealogy decoding the psychic roots of illness offers protocols for diagnosis and treatment for conflicts that can span generations the viability of organizations vol 1 jun 29 2023

**square 1 decoding the zoom loom mastering the zoo copy** - Jun 28 2022

web square 1 decoding the zoom loom mastering the zoo 3 3 their little fingers we help the physically disabled find a new way to express themselves and we use the craft to reach the elderly in brand new ways the workbook begins with a thorough set of instructions on how to weave on the 4 x 4 zoomloom tm as well as on the blue

**square 1 decoding the zoom loom mastering the zoo** - May 28 2022

web square 1 decoding the zoom loom iuniverse a new edition of the classic gardening handbook details a simple yet highly effective gardening system based on a grid of one foot by one foot squares that produces big yields with less space and with less work than with conventional row gardens reissue 30 000 first printing

*square 1 decoding the zoom loom mastering the zoo 2022* - Nov 02 2022

web right here we have countless ebook square 1 decoding the zoom loom mastering the zoo and collections to check out we additionally offer variant types and furthermore type of the books to browse

**square 1 decoding the zoom loom mastering the zoomloom and pin loom** - Jun 09 2023

web zapier 5 tips for zoom loom square seaming weavolution zoom why are my pictures noisy when zoomed at 1 1 in pin loom weaving to go book pdf download square 1 decoding the zoom loom mastering the zoomloom zoom loom amp kits cotton clouds weaving instructions schacht spindle pany square 1 is a workbook that will take you step

[square 1 decoding the zoom loom mastering the zoo pdf](#) - Aug 31 2022

web jun 28 2023 square 1 decoding the zoom loom mastering the zoo when somebody should go to the books stores search

creation by shop shelf by shelf it is in fact problematic this is why we present the ebook compilations in this website it will definitely ease you to look guide square 1 decoding the zoom loom mastering the zoo as you

**square 1 decoding the zoom loom mastering the zoomloom and pin loom** - Aug 11 2023

web dec 9 2019 square 1 decoding the zoom loom mastering the zoomloom and pin loom at the crafting healing and meditative level sanderson connie claassen dick on amazon com free shipping on qualifying offers

**square 1 decoding the zoom loom mastering the zoomloom and pin loom** - Sep 12 2023

web may 3 2020 square 1 decoding the zoom loom mastering the zoomloom and pin loom at the crafting healing and meditative level kindle edition by sanderson connie claassen dick download it once and read it on your kindle device pc phones or tablets

**square 1 decoding the zoom loom mastering the zoo pdf** - Jul 30 2022

web apr 6 2023 this square 1 decoding the zoom loom mastering the zoo but end happening in harmful downloads rather than enjoying a fine ebook subsequent to a mug of coffee in the afternoon then again they juggled behind some harmful virus inside their computer square 1 decoding the zoom loom

square 1 decoding the zoom loom mastering the zoo book - May 08 2023

web square 1 decoding the zoom loom mastering the zoo at the zoo apr 05 2023 written and sung by curt voices galore gebhart at the zoo is an adventure for all ages exploring the cast of characters one commonly encounters on a trip to the zoo as educational as it is entertaining this musical short story thrusts you into the magical world

**square 1 decoding the zoom loom mastering the zoo pdf 2023** - Mar 26 2022

web jun 20 2023 1 square 1 decoding the zoom loom mastering the zoo pdf getting the books square 1 decoding the zoom loom mastering the zoo pdf now is not type of inspiring means you could not and no one else going subsequently ebook amassing or library or borrowing from your contacts to gate them this is an definitely easy means to

**square 1 decoding the zoom loom mastering the zoo pdf** - Mar 06 2023

web 1 square 1 decoding the zoom loom mastering the zoo line shape texture dec 28 2022 this new guide will introduce you to the language and technique of frame loom weaving foundation skills and key elements of woven design are presented together giving you a thorough understanding of how woven pieces are formed

**zoom to set up r d centre in s pore hire hundreds** - Feb 22 2022

web dec 17 2020 the us tech giant which has been in singapore for two years will also hire hundreds of staff for the r d centre in key engineering roles it said in a statement yesterday a zoom spokesman told the straits times that the firm aims to open the r d centre by the third quarter of next year or when it s safe for all our employees to go back

**square 1 decoding the zoom loom mastering the zoo** - Dec 03 2022

web square 1 decoding the zoom loom mastering the zoo square 1 decoding the zoom loom mastering the zoo 2 downloaded from pivotid uvu edu on 2020 09 21 by guest you have to go out and feel the world s jagged edges wipe its dust from your brow and at times leave your blood in its soil in this unique book

[cubezone square 1 solution method overview](#) - Oct 01 2022

web square 1 solution method notation there are two types of moves you can do on square 1 turning the bottom and top layers twisting the right hand side 180 each algorithm or move sequence on square 1 is made up of turning the bottom and top layers twisting the right hand side turning the bottom and top layers twisting the right hand

*square 1 decoding the zoom loom mastering the* - Oct 13 2023

web square 1 decoding the zoom loom mastering the zoomloom tm and pin loom at the crafting healing and meditative level claassen dick sanderson connie amazon sg books

*square 1 decoding the zoom loom mastering the* - Feb 05 2023

web square 1 is a workbook that will take you step by step through the artful craft of weaving on the pin loom those things you can make on the pin loom are surprisingly easy to create but we go far beyond just learning the craft we show you ways in how you might enrich the lives of others with your craft we concentrate on helping children find

*ebook square 1 decoding the zoom loom mastering the zoo* - Apr 07 2023

web 1 square 1 decoding the zoom loom mastering the zoo mastering meetings nov 08 2020 every business has them but some are more effective than others meetings can take up to 75 of executive time and are usually much less productive that they should be now the world s largest private management organization

**excel cheat sheet top 50 excel formulas coursera** - Jan 30 2023

web mar 15 2022 this cheat sheet is a valuable resource for anyone who wants to learn excel formulas it is a quick and easy way to learn about the most common excel functions and formulas and it can help you to perform calculations analyze

**ms excel sıfırdan İleri seviye excel Öğren sertifikalı udemy** - Dec 29 2022

web sıfırdan İleri seviyeye excel kullanmayı Öğreneceksiniz excel de bilmeniz gereken temel excel formül fonksiyon ve komutlarını Öğreneceksiniz baştan sona excel in en sık kullanacağınız fonksiyonlarını ve formüllerini Öğreneceksiniz tabloları değişik formatlarda hazırlayabilecek excel e harici veriler ekleyebileceksiniz

[500 excel formulas exceljet](#) - Aug 05 2023

web over 500 working excel formulas with detailed explanations videos and related links includes key functions like vlookup xlookup index match filter rank round average countifs sumifs unique sort textsplit and more

[Ücretsiz excel eğitimi basitten İleriye excel udemy](#) - Jul 24 2022

web not basitten İleriye excel kursu Ücretsiz bir kurstur kursu tamamladığınızda excel adına bir şeyler öğrendim ben bu işi

başaracağım diyorsanız basitten İleriye excel kursunu satın alabilirsiniz günümüzde hemen hemen her bilgisayarda yüklü olmasına rağmen en az bilinen programdır excel nedeni ise ilginçtir

*free excel formulas tutorial at gcfglobal - Nov 27 2022*

web introduction 1 about this tutorial learn more about using formulas and functions in excel or another spreadsheet application formula and function basics 2 simple formulas learn all about creating simple formulas 3 complex formulas learn all about creating complex formulas 4 relative and absolute cell references

**excel video training microsoft support - Apr 01 2023**

web a list of excel training from entry level to advanced skills plus templates and other resources

**create a simple formula in excel microsoft support - Mar 20 2022**

web let s take an example of a simple formula on the worksheet click the cell in which you want to enter the formula type the equal sign followed by the constants and operators up to 8192 characters that you want to use in the calculation for our example type 1 1

*basic excel formulas list of important formulas for beginners - Jul 04 2023*

web in excel a formula is an expression that operates on values in a range of cells or a cell for example a1 a2 a3 which finds the sum of the range of values from cell a1 to cell a3 functions are predefined formulas in excel they eliminate laborious manual entry of formulas while giving them human friendly names for example sum a1 a3

**Ücretsiz excel kursları ve eğitimleri udemy - May 02 2023**

web seviyenize ve ihtiyaçlarınıza uygun olan en iyi excel kursunu bulun ve excel formülleri elektronik tablolar ve diğer microsoft excel işlevlerinde ustalaşın excel işletme finans veri analizi finansal modelleme ve tahmin gibi sayılarla ilgili tüm

**overview of formulas in excel microsoft support - Sep 06 2023**

web formulas are equations that can perform calculations return information manipulate the contents of other cells test conditions and more this topic provides an introduction to formulas and functions in excel

**top 30 excel formulas and functions you should know - Oct 07 2023**

web aug 9 2023 we will look into the formulas and functions on mathematical operations character text functions data and time sumif countif and few lookup functions let s now look at the top 25 excel formulas you must know in this article we have categorized 25 excel formulas based on their operations

**excel video training microsoft support - Jun 22 2022**

web a list of excel training from entry level to advanced skills plus templates and other resources

**excel help learning support microsoft com - May 22 2022**

web microsoft offers live coaching to help your learn excel formulas tip and more to save you time and to take your skills to

the next level get started now explore excel find excel templates bring your ideas to life and streamline your work by starting with professionally designed fully customizable templates from microsoft create browse templates

[excel functions by category microsoft support](#) - Feb 28 2023

web worksheet functions are categorized by their functionality click a category to browse its functions or press ctrl f to find a function by typing the first few letters or a descriptive word to get detailed information about a function click its name in the first column

**learn excel formulas with online courses and programs edx** - Feb 16 2022

web schools partners edx for business excel formulas learn how to use excel formulas with online courses and programs excel formulas allow you to perform complex calculations automate tasks and manipulate data in microsoft excel spreadsheets learn excel formulas to organize data and save time with online courses offered by edx

*formulas and functions in excel in easy steps excel easy* - Jun 03 2023

web a formula is an expression which calculates the value of a cell functions are predefined formulas and are already available in excel cell a3 below contains a formula which adds the value of cell a2 to the value of cell a1 cell a3 below contains the sum function which calculates the sum of the range a1 a2 enter a formula

*examples of commonly used formulas microsoft support* - Apr 20 2022

web type of formula example conditional create conditional formulas display or hide zero values hide error values and error indicators in cells lookup look up values in a list of data date and time add or subtract dates add or subtract time show dates as days of the week insert the current date and time in a cell financial calculate

*learn excel free online excel training trump excel* - Oct 27 2022

web if you re an excel beginner or an intermediate and want to learn excel this is the perfect place for you to start this page gives you access to a completely free online excel training 26 video lessons with 12 hours of learning

*learn excel formulas online coursera* - Aug 25 2022

web learn excel formulas or improve your skills online today choose from a wide range of excel formulas courses offered from top universities and industry leaders our excel formulas courses are perfect for individuals or for corporate excel formulas training to upskill your workforce

[excel tutorial w3schools](#) - Sep 25 2022

web complete the excel formula 1 1 submit answer start the exercise my learning track your progress with the free my learning program here at w3schools log in to your account and start earning points this is an optional feature you can study w3schools without using my learning home w3schools com log in to track progress next

[masallardan fırlama bir kış tatili rotası lapland hürriyet](#) - Mar 19 2022

web apr 24 2023 fordlandia marsupilami band 6 2 5 downloaded from uniport edu ng on april 24 2023 by guest habitats from tidal sand bars to mighty mountain ranges from

[fordlandia marsupilami band 6 uniport edu ng](#) - Nov 26 2022

web jun 3 2023 fordlandia marsupilami band 6 by batem andré franquin yann david aliaga muñoz fordlandia marsupilami band 6 by batem andré franquin yann david

[fordlandia marsupilami band 6 graph safehousetech com](#) - Feb 27 2023

web nabız göstergesi mevcuttur xiaomi mi smart band 6 nabız hızı monitörü zindelik seviyelerinizi göstererek size uygun egzersiz yoğunluğunu hesaplama imkanı verir kan

**marsupilami vol 6 fordlandia paperback 19 aug** - Jan 29 2023

web oct 5 2023 fordlandia marsupilami band 6 2 5 downloaded from uniport edu ng on october 5 2023 by guest sacred and terrifying beast and they ve kidnapped the beloved

[fordlandia 6 hc 2004 marsupilami lastdodo](#) - Mar 31 2023

web fordlandia marsupilami band 6 3 3 walker donahue informs them that champignac has been abducted by local gangster sam the monolith they re after stands in the vicinity of

**fordlandia marsupilami band 6 uniport edu ng** - May 21 2022

web jan 25 2020 yeşil mor ya da kırmızı renklerde görebileceğiniz bu ışıkları bazen sadece 5 dakika bazen de tüm gece görmek mümkün olabiliyor

**fordlandia marsupilami band 6 by batem andré franquin yann** - Sep 24 2022

web fordlandia marsupilami band 6 2 6 downloaded from uniport edu ng on october 12 2023 by guest civil war 2007 05 23 inseparable dora heldt 2011 when recently divorced

**fordlandia marsupilami band 6 uniport edu ng** - Oct 26 2022

web fordlandia marsupilami band 6 fordlandia marsupilami band 6 1 downloaded from donate pfi org on 2022 08 03 by guest fordlandia marsupilami band 6 eventually you

**fordlandia marsupilami band 6 ai classmonitor com** - Aug 04 2023

web fordlandia marsupilami band 6 downloaded from ai classmonitor com by guest becker asher spirou fantasio volume 13 z is for zorglub cinebook spirou fantasio

**fordlandia marsupilami band 6 publicaties nwp nl** - Oct 06 2023

web fordlandia marsupilami band 6 book review unveiling the power of words in a global driven by information and connectivity the power of words has be evident than ever

**fordlandia marsupilami band 6 donate pfi org** - Aug 24 2022

web buy the marsupilami vol 6 fordlandia by franquin online at alibris we have new and used copies available in 1 editions starting at 6 76 shop now

*fordlandia marsupilami band 6 help environment harvard edu* - Jun 02 2023

web an event that couldn t leave the marsupilami more indifferent for he has other piranhas to fry mrs marsupilami has disappeared our friend s nose tells him that it was the doing of

*marsupilami volume 6 fordlandia by franquin overdrive* - May 01 2023

web jun 8 2022 fordlandia 6 hc from 2004 buying selling or collecting manage your marsupilami collection in the catalogue on lastdodo

**marsupilami volume 6 fordlandia now read this** - Sep 05 2023

web dec 31 2022 marsupilami volume 6 fordlandia by yann batem created by franquin coloured by leonardo and translated by jerome saincantin cinebook isbn 978 1

*xiaomi mi smart band 6 incelemesi 140 özellikler versus* - Dec 28 2022

web jun 12 2023 fordlandia marsupilami band 6 1 6 downloaded from uniport edu ng on june 12 2023 by guest fordlandia marsupilami band 6 getting the books fordlandia

**marsupilami fordlandia volume 6 the** - Jul 03 2023

web fordlandia marsupilami band 6 thank you very much for reading fordlandia marsupilami band 6 as you may know people have look hundreds times for their

**fordlandia marsupilami band 6 uniport edu ng** - Jul 23 2022

web aug 15 2023 fordlandia marsupilami band 6 2 5 downloaded from uniport edu ng on august 15 2023 by guest fiction squad 1 paul jenkins 2014 10 01 fablewood is a

the marsupilami vol 6 fordlandia by franquin alibris - Jun 21 2022

web can tunÇer 21 nisan 2021 15 04 xiaomi mi band 5 akıllı bileklik modelinin yenisi xiaomi mi band 6 türkiye de büyük bir satış kanalında elde edilebilir hale geldi xiaomi mi

xiaomi mi band 6 türkiye de satışa çıktı işte fiyat log - Apr 19 2022

web may 31 2023 fordlandia marsupilami band 6 2 7 downloaded from uniport edu ng on may 31 2023 by guest work on dc s manhunter and marvels thor treated comics fans

**fordlandia marsupilami band 6 pqr uiaf gov co** - Nov 14 2021

fordlandia marsupilami band 6 uniport edu ng - Dec 16 2021

fordlandia marsupilami band 6 uniport edu ng - Jan 17 2022

web this fordlandia marsupilami band 6 as one of the most practicing sellers here will certainly be in the course of the best options to review asterix and the griffin jean

*fordlandia marsupilami band 6 uniport edu ng* - Feb 15 2022

web apr 21 2023 merely said the fordlandia marsupilami band 6 is universally compatible with any devices to read marsupilami coloring book painting book 2020 11 20