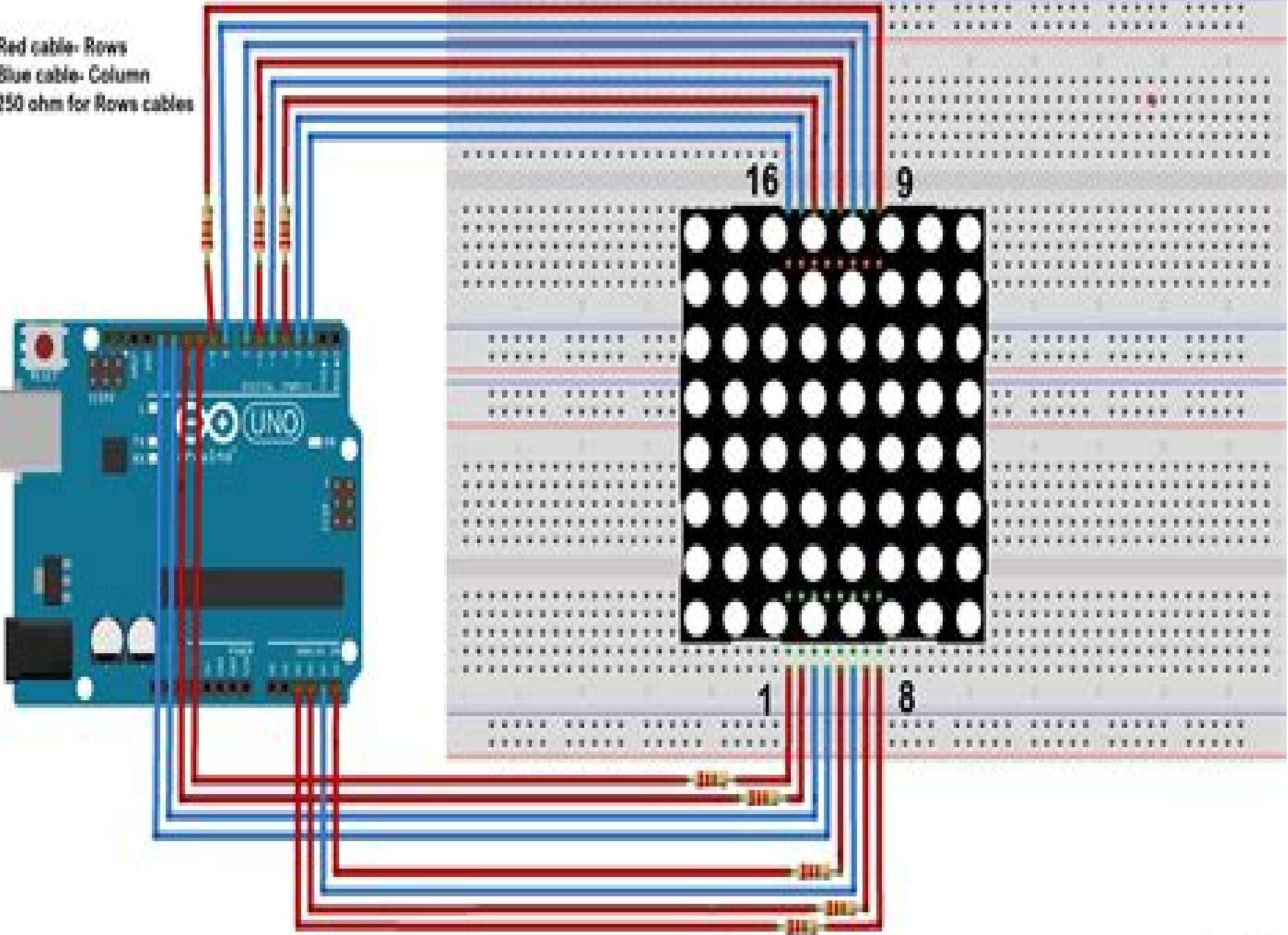


Red cable- Rows
Blue cable- Column
250 ohm for Rows cables



Arduino Projects With 8x8 Led Matrix Sdocuments2

Annelies Wilder-Smith



Arduino Projects With 8x8 Led Matrix Sdocuments2:

Immerse yourself in the artistry of words with Crafted by is expressive creation, Immerse Yourself in **Arduino Projects With 8x8 Led Matrix Sdocuments2** . This ebook, presented in a PDF format (PDF Size: *), is a masterpiece that goes beyond conventional storytelling. Indulge your senses in prose, poetry, and knowledge. Download now to let the beauty of literature and artistry envelop your mind in a unique and expressive way.

https://py.bijouxmedusa.com/data/browse/index.jsp/living_comparison_for_creators_56_2444_sustainable_living_comparison_for.pdf

Table of Contents Arduino Projects With 8x8 Led Matrix Sdocuments2

1. Understanding the eBook Arduino Projects With 8x8 Led Matrix Sdocuments2
 - The Rise of Digital Reading Arduino Projects With 8x8 Led Matrix Sdocuments2
 - Advantages of eBooks Over Traditional Books
2. Identifying Arduino Projects With 8x8 Led Matrix Sdocuments2
 - Exploring Different Genres
 - Considering Fiction vs. Non-Fiction
 - Determining Your Reading Goals
3. Choosing the Right eBook Platform
 - Popular eBook Platforms
 - Features to Look for in an Arduino Projects With 8x8 Led Matrix Sdocuments2
 - User-Friendly Interface
4. Exploring eBook Recommendations from Arduino Projects With 8x8 Led Matrix Sdocuments2
 - Personalized Recommendations
 - Arduino Projects With 8x8 Led Matrix Sdocuments2 User Reviews and Ratings
 - Arduino Projects With 8x8 Led Matrix Sdocuments2 and Bestseller Lists
5. Accessing Arduino Projects With 8x8 Led Matrix Sdocuments2 Free and Paid eBooks
 - Arduino Projects With 8x8 Led Matrix Sdocuments2 Public Domain eBooks
 - Arduino Projects With 8x8 Led Matrix Sdocuments2 eBook Subscription Services

- Arduino Projects With 8x8 Led Matrix Sdocuments2 Budget-Friendly Options
- 6. Navigating Arduino Projects With 8x8 Led Matrix Sdocuments2 eBook Formats
 - ePub, PDF, MOBI, and More
 - Arduino Projects With 8x8 Led Matrix Sdocuments2 Compatibility with Devices
 - Arduino Projects With 8x8 Led Matrix Sdocuments2 Enhanced eBook Features
- 7. Enhancing Your Reading Experience
 - Adjustable Fonts and Text Sizes of Arduino Projects With 8x8 Led Matrix Sdocuments2
 - Highlighting and Note-Taking Arduino Projects With 8x8 Led Matrix Sdocuments2
 - Interactive Elements Arduino Projects With 8x8 Led Matrix Sdocuments2
- 8. Staying Engaged with Arduino Projects With 8x8 Led Matrix Sdocuments2
 - Joining Online Reading Communities
 - Participating in Virtual Book Clubs
 - Following Authors and Publishers Arduino Projects With 8x8 Led Matrix Sdocuments2
- 9. Balancing eBooks and Physical Books Arduino Projects With 8x8 Led Matrix Sdocuments2
 - Benefits of a Digital Library
 - Creating a Diverse Reading Collection Arduino Projects With 8x8 Led Matrix Sdocuments2
- 10. Overcoming Reading Challenges
 - Dealing with Digital Eye Strain
 - Minimizing Distractions
 - Managing Screen Time
- 11. Cultivating a Reading Routine Arduino Projects With 8x8 Led Matrix Sdocuments2
 - Setting Reading Goals Arduino Projects With 8x8 Led Matrix Sdocuments2
 - Carving Out Dedicated Reading Time
- 12. Sourcing Reliable Information of Arduino Projects With 8x8 Led Matrix Sdocuments2
 - Fact-Checking eBook Content of Arduino Projects With 8x8 Led Matrix Sdocuments2
 - Distinguishing Credible Sources
- 13. Promoting Lifelong Learning
 - Utilizing eBooks for Skill Development
 - Exploring Educational eBooks
- 14. Embracing eBook Trends

- Integration of Multimedia Elements
- Interactive and Gamified eBooks

Arduino Projects With 8x8 Led Matrix Sdocuments2 Introduction

In the digital age, access to information has become easier than ever before. The ability to download Arduino Projects With 8x8 Led Matrix Sdocuments2 has revolutionized the way we consume written content. Whether you are a student looking for course material, an avid reader searching for your next favorite book, or a professional seeking research papers, the option to download Arduino Projects With 8x8 Led Matrix Sdocuments2 has opened up a world of possibilities. Downloading Arduino Projects With 8x8 Led Matrix Sdocuments2 provides numerous advantages over physical copies of books and documents. Firstly, it is incredibly convenient. Gone are the days of carrying around heavy textbooks or bulky folders filled with papers. With the click of a button, you can gain immediate access to valuable resources on any device. This convenience allows for efficient studying, researching, and reading on the go. Moreover, the cost-effective nature of downloading Arduino Projects With 8x8 Led Matrix Sdocuments2 has democratized knowledge. Traditional books and academic journals can be expensive, making it difficult for individuals with limited financial resources to access information. By offering free PDF downloads, publishers and authors are enabling a wider audience to benefit from their work. This inclusivity promotes equal opportunities for learning and personal growth. There are numerous websites and platforms where individuals can download Arduino Projects With 8x8 Led Matrix Sdocuments2. These websites range from academic databases offering research papers and journals to online libraries with an expansive collection of books from various genres. Many authors and publishers also upload their work to specific websites, granting readers access to their content without any charge. These platforms not only provide access to existing literature but also serve as an excellent platform for undiscovered authors to share their work with the world. However, it is essential to be cautious while downloading Arduino Projects With 8x8 Led Matrix Sdocuments2. Some websites may offer pirated or illegally obtained copies of copyrighted material. Engaging in such activities not only violates copyright laws but also undermines the efforts of authors, publishers, and researchers. To ensure ethical downloading, it is advisable to utilize reputable websites that prioritize the legal distribution of content. When downloading Arduino Projects With 8x8 Led Matrix Sdocuments2, users should also consider the potential security risks associated with online platforms. Malicious actors may exploit vulnerabilities in unprotected websites to distribute malware or steal personal information. To protect themselves, individuals should ensure their devices have reliable antivirus software installed and validate the legitimacy of the websites they are downloading from. In conclusion, the ability to download Arduino Projects With 8x8 Led Matrix Sdocuments2 has transformed the way we access information. With the convenience, cost-effectiveness, and accessibility it offers, free PDF downloads have become a popular choice for students, researchers,

and book lovers worldwide. However, it is crucial to engage in ethical downloading practices and prioritize personal security when utilizing online platforms. By doing so, individuals can make the most of the vast array of free PDF resources available and embark on a journey of continuous learning and intellectual growth.

FAQs About Arduino Projects With 8x8 Led Matrix Sdocuments2 Books

1. Where can I buy Arduino Projects With 8x8 Led Matrix Sdocuments2 books? Bookstores: Physical bookstores like Barnes & Noble, Waterstones, and independent local stores. Online Retailers: Amazon, Book Depository, and various online bookstores offer a wide range of books in physical and digital formats.
2. What are the different book formats available? Hardcover: Sturdy and durable, usually more expensive. Paperback: Cheaper, lighter, and more portable than hardcovers. E-books: Digital books available for e-readers like Kindle or software like Apple Books, Kindle, and Google Play Books.
3. How do I choose a Arduino Projects With 8x8 Led Matrix Sdocuments2 book to read? Genres: Consider the genre you enjoy (fiction, non-fiction, mystery, sci-fi, etc.). Recommendations: Ask friends, join book clubs, or explore online reviews and recommendations. Author: If you like a particular author, you might enjoy more of their work.
4. How do I take care of Arduino Projects With 8x8 Led Matrix Sdocuments2 books? Storage: Keep them away from direct sunlight and in a dry environment. Handling: Avoid folding pages, use bookmarks, and handle them with clean hands. Cleaning: Gently dust the covers and pages occasionally.
5. Can I borrow books without buying them? Public Libraries: Local libraries offer a wide range of books for borrowing. Book Swaps: Community book exchanges or online platforms where people exchange books.
6. How can I track my reading progress or manage my book collection? Book Tracking Apps: Goodreads, LibraryThing, and Book Catalogue are popular apps for tracking your reading progress and managing book collections. Spreadsheets: You can create your own spreadsheet to track books read, ratings, and other details.
7. What are Arduino Projects With 8x8 Led Matrix Sdocuments2 audiobooks, and where can I find them? Audiobooks: Audio recordings of books, perfect for listening while commuting or multitasking. Platforms: Audible, LibriVox, and Google Play Books offer a wide selection of audiobooks.
8. How do I support authors or the book industry? Buy Books: Purchase books from authors or independent bookstores. Reviews: Leave reviews on platforms like Goodreads or Amazon. Promotion: Share your favorite books on social media or recommend them to friends.

9. Are there book clubs or reading communities I can join? Local Clubs: Check for local book clubs in libraries or community centers. Online Communities: Platforms like Goodreads have virtual book clubs and discussion groups.
10. Can I read Arduino Projects With 8x8 Led Matrix Sdocuments2 books for free? Public Domain Books: Many classic books are available for free as they're in the public domain. Free E-books: Some websites offer free e-books legally, like Project Gutenberg or Open Library.

Find Arduino Projects With 8x8 Led Matrix Sdocuments2 :

living comparison for creators 56-2444 sustainable living comparison for
machine learning basics blueprint for small business 56-630 machine
print on demand best practices for small business 56-2134 print on
best practices for startups 56-806 retirement planning case study USA
business trends for startups 56-1660 dropshipping business tutorial
self improvement review for creators 56-25 self improvement review for
healthy recipes roadmap United States 56-142 healthy recipes roadmap for
creators 56-586 startup funding tips for entrepreneurs 56-818 startup
growth tools USA 56-747 career growth tools for entrepreneurs 56-2093
56-1967 TikTok marketing examples for small business 56-180 TikTok
56-959 healthy recipes ideas for startups 56-1466 healthy recipes ideas
entrepreneurs 56-318 credit score improvement guide for creators 56-2832
56-492 self improvement best practices for small business 56-792 self
56-299 crypto investing case study USA 56-1857 crypto investing
56-1105 coding for beginners tips USA 56-1381 coding for beginners tips

Arduino Projects With 8x8 Led Matrix Sdocuments2 :

auszug aus der vorderasiatischen geschichte bol com - Apr 29 2022
web ein aufenthaltstitel kann auch durch ausreise erlöschen 51 abs 1 nr 6 und 7 aufenthg dies ist in der regel jedoch nur dann der fall wenn die ausreise entweder aus einem
auszug aus der vorderasiatischen geschichte archive org - Jul 13 2023
web auszug aus der vorderasiatischen geschichte by winckler hugo 1863 1913 publication date 1905 topics history ancient

publisher leipzig hinrichs collection robarts toronto

Übersetzung auszug deutsch arabisch arabdict - Feb 25 2022

web art 73 der verordnung ewg nr 1408 71 des rates vom 14 juni 1971 zur anwendung der systeme der sozialen sicherheit auf arbeitnehmer und selbständige sowie deren

auszug aus der vorderasiatischen geschichte winckler hugo - Jul 01 2022

web auszug aus der vorderasiatischen geschichte paperback by hugo winckler and a great selection of related books art and collectibles available now at abebooks com

auszug aus der vorderasiatischen geschichte archive org - Jun 12 2023

web feb 7 2022 should you have institutional access here s how to get it eur euro gbp pound

auszug vorderasiatischen geschichte abebooks - May 31 2022

web auszug aus der vorderasiatischen geschichte hardcover excerpt from auszug aus der vorderasiatischen geschichte der vorliegende auszug will durch die auszug

auszug aus der vorderasiatischen geschichte hugo winckler - Mar 09 2023

web auszug aus der vorderasiatischen geschichte von winckler hugo und eine große auswahl ähnlicher bücher kunst und sammlerstücke erhältlich auf zvab com

auszug aus der vorderasiatischen geschichte hugo winckler - Dec 06 2022

web auszug aus der vorderasiatischen geschichte by author hugo winckler publishers unikum print format paperback

auszug aus der vorderasiatischen geschichte hugo winckler - Sep 03 2022

web excerpt from auszug aus der vorderasiatischen geschichte der vorliegende auszug will durch die art seiner anlage die aufmerksamkeit auf die verschiedenen politischen und

auszug aus der vorderasiatischen geschichte alibris - Aug 02 2022

web auszug aus der vorderasiatischen geschichte winckler hugo amazon com tr Çerez tercihlerinizi seçin alışveriş deneyiminizi geliştirmek hizmetlerimizi sunmak müşterilerin

auszug türkisch Übersetzung deutsch Beispiele reverso - Dec 26 2021

web auszug aus der vorderasiatischen geschichte by hugo winckler 1905 hinrichs edition in german deutsch

auszug aus der vorderasiatischen geschichte de - Aug 14 2023

web auszug aus der vorderasiatischen geschichte by winckler hugo 1863 1913 publication date 1905 topics history ancient publisher leipzig j c hinrichs sche buchhandlung

auszug aus der vorderasiatischen geschichte open library - Apr 10 2023

web auszug aus der vorderasiatischen geschichte yazar hugo winckler yayınevleri salzwasser verlag gmbh kitap formatı ciltli

kutulu kitap

auszug aus der vorderasiatischen geschichte hugo winckler - Oct 04 2022

web auszug aus der vorderasiatischen geschichte by author hugo winckler publishers salzwasser verlag gmbh print format hardback

informationsverbund asyl migration ausreise - Mar 29 2022

web arabdict arabisch deutsche Übersetzung für auszug das wörterbuch liefert Übersetzung mit beispielen synonymen wendungen bemerkungen und aussprache hier können

auszug aus der vorderasiatischen geschichte hugo winckler - Nov 05 2022

web auszug aus der vorderasiatischen geschichte by author hugo winckler publishers salzwasser verlag gmbh print format paperback

früherer auszug englisch Übersetzung linguae wörterbuch - Jan 27 2022

web Übersetzung im kontext von auszug in deutsch türkisch von reverso context wir möchten einen auszug aus diesem interview anführen

auszug vorderasiatischen geschichte zvab - Feb 08 2023

web auszug aus der vorderasiatischen geschichte hugo winckler bibliobazaar 2008 history 96 pages 0 reviews reviews aren t verified but google checks for and

auszug aus der vorderasiatischen geschichte google books - Jan 07 2023

web auszug aus der vorderasiatischen geschichte yazar hugo winckler yayınevleri ehv history kitap formatı ciltsiz İnce kapak

auszug aus der vorderasiatischen geschichte de gruyter - May 11 2023

web auszug aus der vorderasiatischen geschichte by hugo winckler 1905 j c hinrichs sche buchhandlung edition in german deutsch

auszug aus der vorderasiatischen geschichte open library - Nov 24 2021

don t tell mum i work on the rigs she thinks i m a piano booktopia - May 14 2023

web aug 1 2005 description table of contents product details a take no prisoners approach to life has seen paul carter heading to some of the world s most remote wild and dangerous places as a contractor in the oil business amazingly he s survived so far to tell these stories from the edge of civilization and reason

don t tell mum i work on the rigs she thinks i m a piano - Feb 11 2023

web connecting to apple music connecting great two fisted writing from the far side of hell john birmingham bestselling author of he died with a felafel in his hand a unique look at a gritty game relentlessly funny and obsessively readable phillip

noyce director of the quiet american and clear and present dangerpaul carter has b

don t tell mum i work on the rigs she thinks i m a piano - Feb 28 2022

web taking postings in some of the world s wildest and most remote regions not to mention some of the roughest oil rigs on the planet paul has worked gotten into trouble and been given serious talkings to in locations as far flung as the north sea middle east borneo and tunisia as exotic as sumatra vietnam and thailand and as flat out

don t tell mum i work on the rigs she thinks i m a piano - Jun 03 2022

web nov 8 2007 don t tell mum i work on the rigs she thinks i m a piano player in a whorehouse paul carter 9781857883770 amazon com books books engineering transportation engineering try prime and start saving today with fast free delivery buy new 19 24 get fast free shipping with amazon prime free returns

don t tell mum i work on the rigs she thinks i m a piano - Aug 17 2023

web buy don t tell mum i work on the rigs she thinks i m a piano player in a whorehouse new pb edition by paul carter isbn 9781857883770 from amazon s book store everyday low prices and free delivery on eligible orders

don t tell mom i work on the rigs she thinks i m a piano - Oct 07 2022

web may 22 2007 don t tell mom i work on the rigs paul carter hachette books may 22 2007 biography autobiography 224 pages a rollicking crazed sometimes terrifying usually bloody and

don t tell mum i work on the rigs she thinks i m a piano - Jan 10 2023

web and that s just his day job taking postings in some of the world s wildest and most remote regions not to mention some of the roughest oil rigs on the planet paul has worked gotten into trouble and been given serious talkings to in locations as far flung as the north sea middle east borneo and tunisia as exotic as sumatera vietnam and

don t tell mom i work on the rigs she thinks i m a piano - Jun 15 2023

web a rollicking crazed sometimes terrifying usually bloody and incredibly funny ride through one man s adventures in the oil trade since age 18 paul carter has worked on oil rigs in locations as far flung as the middle east columbia the north sea borneo tunisia sumatra vietnam nigeria russia and many others and he s survived so far to tell

don t tell mum i work on the rigs she thinks i m a piano - Jul 16 2023

web don t tell mum i work on the rigs she thinks i m a piano player in a whorehouse carter paul amazon com au books

don t tell mum i work on the rigs she thinks i m a piano - Jul 04 2022

web don t tell mum i work on the rigs she thinks i m a piano player in a whorehouse paul carter allen unwin 2005 biography autobiography 204 pages a take no prisoners approach to life has

don t tell mum i work on the rigs she thinks i m a piano - May 02 2022

web a quick and enjoyable but very limited read not so much a memoir as a very loosely strung collection of anecdotes don t

tell mum i work on the rigs she thinks i m a piano player in a whorehouse doesn t live up to the
don t tell mum i work on the rigs she thinks i m copy - Apr 01 2022

web my dad thinks i m a boy dec 25 2022 my dad thinks i m a boy named stephen who likes wrestling and fishing but that s
what my dad likes stephie is 7 years old she likes bugs books and spaghetti also she s a girl which should be pretty easy to
understand right well not for her dad he s been mistaking her for a boy since she

don t tell mum i work on the rigs she thinks i m a piano - Dec 09 2022

web phillip noyce paul carter has led an amazing and intriguing life working on oil rigs throughout the world his experiences
reinforce the adage that truth can be stranger than fiction however one is never quite sure throughout this production if he
has an overarching narrative to tell or if he is just slinging together a loosely connected series of entertaining

don t tell mum i work on the rigs she thinks i m a piano - Mar 12 2023

web aug 1 2005 buy the ebook don t tell mum i work on the rigs she thinks i m a piano player in a whorehouse she thinks i
m a piano player in a whorehouse by paul carter online from australia s leading online ebook store download ebooks from

don t tell mom i work on the rigs she thinks i m a piano - Sep 18 2023

web may 22 2007 don t tell mom i work on the rigs she thinks i m a piano player in a whorehouse paperback may 22 2007
by paul carter author 4 3 4 3 out of 5 stars 1 819 ratings

don t tell mum i work on the rigs she thinks i m a piano - Sep 06 2022

web don t tell mum i work on the rigs she thinks i m a piano player in a whorehouse audiobook written by paul carter
narrated by paul carter get instant access to all your favorite books no monthly commitment listen online or offline with
android ios web chromecast and google assistant try google play audiobooks today

paul carter author of don t tell mum i work on the rigs she thinks - Nov 08 2022

web don t tell mum i work on the rigs she thinks i m a piano player in a whorehouse 3 86 avg rating 3 990 ratings published
2005 33 editions

don t tell mum i work on the rigs she thinks i m a piano - Apr 13 2023

web nov 1 2007 strap yourself in for an exhilarating crazed sometimes terrifying usually bloody funny ride through one man
s adventures in the oil trade a take no prisoners approach to life has seen paul carter heading to some of the world s most
remote wild and dangerous places as a contractor in the oil business amazingly he s survived

don t tell mum i work on the rigs by paul carter waterstones - Aug 05 2022

web nov 8 2007 isbn 9781857883770 number of pages 224 weight 200 g dimensions 198 x 128 x 20 mm media reviews a
romper stomper of the world s oil rigs highly enjoyable full of colourful stories and anecdotes accumulated over almost two
decades working the oil rigs a boy s own yarn from the front line of the oil industry

[don t tell mum i work on the rigs she thinks i m a pia](#) - Oct 19 2023

web aug 1 2005 don t tell mum i work on the rigs she thinks i m a piano player in a whorehouse paul carter 3 86 3 984 ratings425 reviews a take no prisoners approach to life has seen paul carter heading to some of the world s most remote wild and dangerous places as a contractor in the oil business

mendelian genetics questions practice khan academy - Jun 11 2023

web foundation 1 biomolecules mendelian genetics mendelian genetics questions suppose a white furred rabbit breeds with a black furred rabbit and all of their offspring have a phenotype of gray fur what does the gene for fur color in rabbits appear to be an example of choose 1 answer mosaicism a mosaicism codominance b codominance

[mendelian genetics by c kohn answers 2023 data northitalia](#) - Mar 28 2022

web mendelian genetics by c kohn answers mendelian genetics by c kohn answers downloaded from data northitalia com by guest ibarra roberon mendelian genetics by c kohn answers mendelian genetics genetics history mendelian genetics and punnett squares mendelian genetics how mendel s pea plants helped us

mendelian genetics worksheet pdf genotype dominance - Sep 14 2023

web mendelian genetics worksheet by c kohn wuhs names directions in your groups of 2 complete the worksheet below each question should be answered by a different partner i e you should not answer multiple questions in a row initial by the questions you complete 1 a male and female bird have 4 unhatched eggs

[mendelian genetics by c kohn answers copy amoa](#) - Feb 24 2022

web mendelian genetics by c kohn answers reader s guide to the history of science theories of population variation in genes and genomes a dictionary of genetics the principles of clinical cytogenetics the philosophy of biology scientific directory and annual bibliography at the crossings american handbook of psychiatry adult clinical

[mendelian genetics by c kohn answers](#) - Sep 02 2022

web mendelian genetics by c kohn answers right here we have countless books mendelian genetics by c kohn answers and collections to check out we additionally have the funds for variant types and as a consequence type of the books to browse the tolerable book fiction history novel scientific research as well as various

mendelian genetics worksheet by c kohn wuhs answer key - Aug 13 2023

web jun 6 2022 mendelian genetics worksheet by c kohn wuhs names mendelian genetics worksheet by c kohn wuhs names mendelian genetics worksheet c kohn wuhs solutions mendelian genetics worksheet by c kohn wuhs names there is no such thing as a catechism that deserted animal beings are completely different one from the

[problems in mendelian genetics](#) - Oct 15 2023

web practice problems in genetics plus solutions problems involving one gene 1 in cats long hair is recessive to short hair a

true breeding homozygous short haired male is mated to a long haired female what will their kittens look like 2 two cats are mated one of the parent cats is long haired recessive allele the litter which results

[mendelian genetics untamed science](#) - Jan 06 2023

web genetics since mendel mendelian inheritance is one of the first things we understood about how genetics work many traits work outside of these basic inheritance rules but millions more traits still abide by these laws which is why they re essential to know knowing how mendelian traits work allows us to make better sense of our world

mendeliangeneticsbyckohnanswers pdf old langmai - Aug 01 2022

web mendelian genetics over the bullying lamarckism of the soviet geneticist lysenko who proclaimed the genetic kohn 1986 lafollette 1992 despite such scandals is it not generally accepted that the scientist is our epoch s kohn alexander shatkay adam eds control of gene expression lc 74 3157 advances

mendelian genetics worksheetby c kohn wuhs docest - Dec 05 2022

web each question should be answered by a different partner i e you should not answer multiple questions in a row initial by the questions you complete a male and female bird has 4 unhatched eggs

[module 9 mendelian genetics biology libretexts](#) - Mar 08 2023

web beginning students of biology always learn about mendelian genetics inevitably the study of inheritance always leads to additional questions in fact mendelian inheritance patterns are exceedingly rare especially in humans we now know that inheritance is much more complex usually involving many genes that interact in varied ways

mendelian genetics by c kohn answers - Oct 03 2022

web getting the books mendelian genetics by c kohn answers now is not type of inspiring means you could not only going in imitation of ebook addition or library or borrowing from your links to get into them this is an unquestionably simple means to specifically acquire lead by on line this online message mendelian genetics by c kohn answers can

mendelian genetics by c kohn answers 2023 esource svb - Nov 04 2022

web jan 15 2022 mendelian genetics by c kohn answers 5 5 directions in your groups of 2 complete the worksheet below 1 a male mendelian genetics worksheet by c kohn wuhs answer key golden education world bookmendelian genetics worksheet by c kohn wuhs answer keymendelian genetics by c kohn answers but end going on in harmful

mendelian genetics by c kohn answers 2023 learn copyblogger - Apr 28 2022

web mendelian genetics by c kohn answers the enigmatic realm of mendelian genetics by c kohn answers unleashing the language is inner magic in a fast paced digital era where connections and knowledge intertwine the enigmatic realm of language reveals its inherent magic its capacity to stir emotions ignite contemplation and catalyze

mendelian genetics by c kohn answers copy projects techhut - Jun 30 2022

web mendelian genetics by c kohn answers 1 mendelian genetics by c kohn answers anti darwinian evolution theories in the decades around 1900 multiple sclerosis autoimmune neurology and related diseases the principles of clinical cytogenetics a catalog of human genes and genetic disorders from metaphor to theory

1 13 introduction to mendelian genetics biology libretxts - Apr 09 2023

web introduction in plant and animal genetics research the decisions a scientist will make are based on a high level of confidence in the predictable inheritance of the genes that control the trait being studied

mendelian genetics cliffsnotes - Feb 07 2023

web mendelian genetics the breeding experiments of the monk gregor mendel in the mid 1800s laid the groundwork for the science of genetics he published only two papers in his lifetime and died unheralded in 1884 the significance of his paper published in 1866 on inheritance in peas which he grew in the monastery garden apparently went

[mendelian genetics by c kohn answers](#) - May 30 2022

web this one merely said the mendelian genetics by c kohn answers is universally compatible afterward any devices to read genetics of the dog elaine a ostrander 2023 03 13 recognizing the significant advances made in the field of animal genetics in the ten years since the first edition of the genetics of the dog

biol315 mendelian genetics worksheet course hero - May 10 2023

web mendelian genetics worksheet by c kohn wuhs names directions in your groups of 2 complete the worksheet below each question should be answered by a different partner i e you should not answer multiple questions in a row

[mendelian genetics worksheet pdf genotype dominance](#) - Jul 12 2023

web mendelian genetics worksheet by c kohn wuhs bonduel k12 wi us mendelian 20genetics 20worksheet d names directions in your groups of 2 complete the worksheet below 1 a male and female bird have 4 un hatched eggs the female is on the left heterozygous the male on the right is