

Var
Eqn.

VAR

VAR1

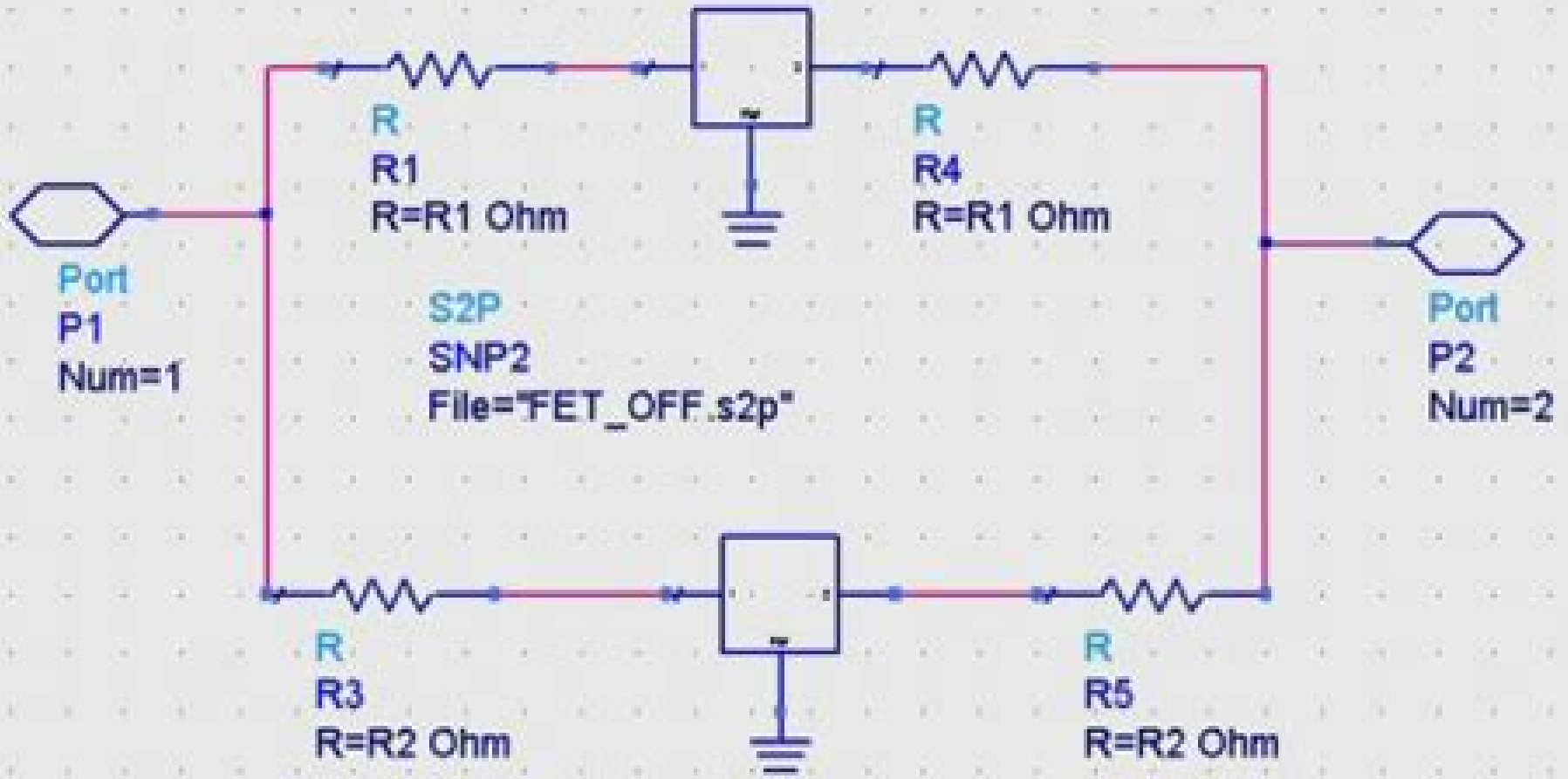
$$R1=(1.000000001-ON)/(0.000000001+ON)$$

$$R2=1/R1$$

S2P +

SNP1

File="FET_ON.s2p"



Example Circuit Using Ads 3 02

Hongru Du



Example Circuit Using Ads 3 02:

Co-simulations of Microwave Circuits and High-Frequency Electromagnetic Fields Mei Song Tong,Xiao Yu Li,2024-07-03

This book aims to provide many advanced application topics for microwave circuits and high frequency electromagnetic EM fields by using advanced design system ADS and high frequency structure simulator HFSS as simulation platforms In particular it contains the latest multidisciplinary co simulation guidance on the design of relevant components and devices Currently the circuit field design and performance analysis and optimization strongly rely on various kinds of robust electronic design automation EDA software RF microwave engineers must grasp two or more types of related simulation design software ADS by Keysight and HFSS by Ansys are the representative for circuit simulations and for field and structural simulations of microwave devices respectively At present these two types of software are widely used in enterprises universities and research institutions The main purpose of this book is to enable readers who are interested in microwave engineering and applied electromagnetics to master the applications of these two tools It also helps readers expand their knowledge boundaries behind those types of software and deepen their understanding of developing interdisciplinary technologies by co simulations The book is divided into three parts The first part introduces the two latest versions of ADS and HFSS and helps readers better understand the basic principles and latest functions better It also advises how to choose appropriate simulation tools for different problems The second part mainly describes co simulations for high frequency EM fields microwave circuits antenna designs EM compatibility EMC and thermal and structural analyses It provides guides and advices on performing co simulations by ADS and HFSS incorporated with other types of software respectively The last part narrates the automation interfaces and script programming methods for co simulations It primarily deals with the Advanced Extension Language AEL Python Data Link PDL and MATLAB interface in ADS For HFSS it discusses VBScript IronPython scripting and Application Programming Interface APIs based on MATLAB Each topic contains practical examples to help readers understand so that they can gain a solid knowledge and skills regarding automated interfaces and scripting methods based on these kinds of software Concisely written in combination with practical examples this book is very suitable as a textbook in introductory courses on microwave circuit and EM simulations and also as a supplementary textbook in many courses on electronics microwave engineering communication engineering and related fields As well it can serve as a reference book for microwave engineers and researchers

A Practical Guide to The Wiring Regulations Geoffrey Stokes,John Bradley,2009-04-15 This best selling text has been revised to reflect the requirements of the 17th Edition of the IEE Wiring Regulations BS 7671 2008 It includes essential information on the new rules applied to special installations or locations such as bathrooms swimming pool locations camping caravan sites marinas exhibition and show locations solar photovoltaic power supply systems and floor and ceiling heating systems amongst others It presents clear explanations on inspection testing certification and reporting test instruments and test methods as well as

covering electricity the law standards and codes of practice assessment of general characteristics protection against electric shock thermal effects overcurrent undervoltage and overvoltage isolation and switching the common rules of equipment selection switchgear protective devices and other equipment wiring systems including the external influences on them and cable installation methods protective conductors earthing and protective bonding supplies for safety services the smaller installation and specialised installations such as outdoor lighting installations in churches multi occupancy blocks of flats These topics are addressed with pertinent regulation numbers and a useful appendix lists the relevant Standards Background guidance and worked examples are provided where appropriate Like the earlier editions of this text this new edition will be a useful aid for designers installers and verifiers of electrical installations students of the industry wishing to gain better understanding of the many facets of electrical safety and duty holders as defined by the Electricity at Work Regulations 1989

Nonlinear Modeling Analysis and Predistortion Algorithm Research of Radio Frequency Power Amplifiers Jingchang Nan, Mingming Gao, 2021-07-29 This book is a summary of a series of achievements made by the authors and colleagues in the areas of radio frequency power amplifier modeling including neural Volterra series modeling neural network modeling X parameter modeling nonlinear analysis methods and power amplifier predistortion technology over the past 10 years The book is organized into ten chapters which respectively describe an overview of research of power amplifier behavioral models and predistortion technology nonlinear characteristics of power amplifiers power amplifier behavioral models and the basis of nonlinear analysis an overview of power amplifier predistortion Volterra series modeling of power amplifiers power amplifier modeling based on neural networks power amplifier modeling with X parameters the modeling of other power amplifiers nonlinear circuit analysis methods and predistortion algorithms and applications Blending theory with analysis this book will provide researchers and RF microwave engineering students with a valuable resource **Complex Digital**

Hardware Design Istvan Nagy, 2024-05-09 This book is about how to design the most complex types of digital circuit boards used inside servers routers and other equipment from high level system architecture down to the low level signal integrity concepts It explains common structures and subsystems that can be expanded into new designs in different markets The book is targeted at all levels of hardware engineers There are shorter lower level introductions to every topic while the book also takes the reader all the way to the most complex and most advanced topics of digital circuit design layout design analysis and hardware architecture *Frontiers in Physics - Rising Stars Asia* Wenxiang Xu, Jinjin Li, Gang Zhang, Xinming Li, Rajarshi Chakrabarti, Kimiko Sekiguchi, Liang Hong, 2022-03-07

Persuasive Advertising J. Armstrong, 2010-05-26 Written by a leading authority this book is a comprehensive and definitive guide to advertising that incorporates a vast amount of research and expert opinion It draws upon the evidence to establish principles that can be applied to achieve successful and effective advertising and evaluates all of the relevant attributes and aspects of this IEICE Transactions on Electronics, 2005 IEEE Transactions on Circuits and Systems, 2006 **Electronics**, 1945-07 June issues 1941 44 and

Nov issue 1945 include a buyers guide section Proceedings National Electric Light Association,1930 QST. ,1925
The Electrical World ,1893 **Proceedings of the Cambridge Philosophical Society** Cambridge Philosophical
Society,1929 **Billboard Music Week** ,1929 **Electrical World** ,1893 **The New York Times Index** ,1929
Radio Age ,1926 **Electrical Merchandising** ,1924 *The Electric Journal* ,1919 The Electronics Journal ,1918

Unveiling the Magic of Words: A Report on "**Example Circuit Using Ads 3 02**"

In some sort of defined by information and interconnectivity, the enchanting power of words has acquired unparalleled significance. Their ability to kindle emotions, provoke contemplation, and ignite transformative change is actually awe-inspiring. Enter the realm of "**Example Circuit Using Ads 3 02**," a mesmerizing literary masterpiece penned by a distinguished author, guiding readers on a profound journey to unravel the secrets and potential hidden within every word. In this critique, we shall delve to the book is central themes, examine its distinctive writing style, and assess its profound affect the souls of its readers.

https://py.bijouxmedusa.com/data/virtual-library/HomePages/retirement_planning_blueprint_usa_86_630_retirement_planning_blueprint.pdf

Table of Contents Example Circuit Using Ads 3 02

1. Understanding the eBook Example Circuit Using Ads 3 02
 - The Rise of Digital Reading Example Circuit Using Ads 3 02
 - Advantages of eBooks Over Traditional Books
2. Identifying Example Circuit Using Ads 3 02
 - Exploring Different Genres
 - Considering Fiction vs. Non-Fiction
 - Determining Your Reading Goals
3. Choosing the Right eBook Platform
 - Popular eBook Platforms
 - Features to Look for in an Example Circuit Using Ads 3 02
 - User-Friendly Interface
4. Exploring eBook Recommendations from Example Circuit Using Ads 3 02
 - Personalized Recommendations
 - Example Circuit Using Ads 3 02 User Reviews and Ratings

-
- Example Circuit Using Ads 3 02 and Bestseller Lists
5. Accessing Example Circuit Using Ads 3 02 Free and Paid eBooks
 - Example Circuit Using Ads 3 02 Public Domain eBooks
 - Example Circuit Using Ads 3 02 eBook Subscription Services
 - Example Circuit Using Ads 3 02 Budget-Friendly Options
 6. Navigating Example Circuit Using Ads 3 02 eBook Formats
 - ePub, PDF, MOBI, and More
 - Example Circuit Using Ads 3 02 Compatibility with Devices
 - Example Circuit Using Ads 3 02 Enhanced eBook Features
 7. Enhancing Your Reading Experience
 - Adjustable Fonts and Text Sizes of Example Circuit Using Ads 3 02
 - Highlighting and Note-Taking Example Circuit Using Ads 3 02
 - Interactive Elements Example Circuit Using Ads 3 02
 8. Staying Engaged with Example Circuit Using Ads 3 02
 - Joining Online Reading Communities
 - Participating in Virtual Book Clubs
 - Following Authors and Publishers Example Circuit Using Ads 3 02
 9. Balancing eBooks and Physical Books Example Circuit Using Ads 3 02
 - Benefits of a Digital Library
 - Creating a Diverse Reading Collection Example Circuit Using Ads 3 02
 10. Overcoming Reading Challenges
 - Dealing with Digital Eye Strain
 - Minimizing Distractions
 - Managing Screen Time
 11. Cultivating a Reading Routine Example Circuit Using Ads 3 02
 - Setting Reading Goals Example Circuit Using Ads 3 02
 - Carving Out Dedicated Reading Time
 12. Sourcing Reliable Information of Example Circuit Using Ads 3 02
 - Fact-Checking eBook Content of Example Circuit Using Ads 3 02
 - Distinguishing Credible Sources

-
13. Promoting Lifelong Learning
 - Utilizing eBooks for Skill Development
 - Exploring Educational eBooks
 14. Embracing eBook Trends
 - Integration of Multimedia Elements
 - Interactive and Gamified eBooks

Example Circuit Using Ads 3 02 Introduction

In this digital age, the convenience of accessing information at our fingertips has become a necessity. Whether its research papers, eBooks, or user manuals, PDF files have become the preferred format for sharing and reading documents. However, the cost associated with purchasing PDF files can sometimes be a barrier for many individuals and organizations. Thankfully, there are numerous websites and platforms that allow users to download free PDF files legally. In this article, we will explore some of the best platforms to download free PDFs. One of the most popular platforms to download free PDF files is Project Gutenberg. This online library offers over 60,000 free eBooks that are in the public domain. From classic literature to historical documents, Project Gutenberg provides a wide range of PDF files that can be downloaded and enjoyed on various devices. The website is user-friendly and allows users to search for specific titles or browse through different categories. Another reliable platform for downloading Example Circuit Using Ads 3 02 free PDF files is Open Library. With its vast collection of over 1 million eBooks, Open Library has something for every reader. The website offers a seamless experience by providing options to borrow or download PDF files. Users simply need to create a free account to access this treasure trove of knowledge. Open Library also allows users to contribute by uploading and sharing their own PDF files, making it a collaborative platform for book enthusiasts. For those interested in academic resources, there are websites dedicated to providing free PDFs of research papers and scientific articles. One such website is Academia.edu, which allows researchers and scholars to share their work with a global audience. Users can download PDF files of research papers, theses, and dissertations covering a wide range of subjects. Academia.edu also provides a platform for discussions and networking within the academic community. When it comes to downloading Example Circuit Using Ads 3 02 free PDF files of magazines, brochures, and catalogs, Issuu is a popular choice. This digital publishing platform hosts a vast collection of publications from around the world. Users can search for specific titles or explore various categories and genres. Issuu offers a seamless reading experience with its user-friendly interface and allows users to download PDF files for offline reading. Apart from dedicated platforms, search engines also play a crucial role in finding free PDF files. Google, for instance, has an advanced search feature that allows users to filter results by file type. By specifying the file type as "PDF," users can find websites that

offer free PDF downloads on a specific topic. While downloading Example Circuit Using Ads 3 02 free PDF files is convenient, its important to note that copyright laws must be respected. Always ensure that the PDF files you download are legally available for free. Many authors and publishers voluntarily provide free PDF versions of their work, but its essential to be cautious and verify the authenticity of the source before downloading Example Circuit Using Ads 3 02. In conclusion, the internet offers numerous platforms and websites that allow users to download free PDF files legally. Whether its classic literature, research papers, or magazines, there is something for everyone. The platforms mentioned in this article, such as Project Gutenberg, Open Library, Academia.edu, and Issuu, provide access to a vast collection of PDF files. However, users should always be cautious and verify the legality of the source before downloading Example Circuit Using Ads 3 02 any PDF files. With these platforms, the world of PDF downloads is just a click away.

FAQs About Example Circuit Using Ads 3 02 Books

How do I know which eBook platform is the best for me? Finding the best eBook platform depends on your reading preferences and device compatibility. Research different platforms, read user reviews, and explore their features before making a choice. Are free eBooks of good quality? Yes, many reputable platforms offer high-quality free eBooks, including classics and public domain works. However, make sure to verify the source to ensure the eBook credibility. Can I read eBooks without an eReader? Absolutely! Most eBook platforms offer web-based readers or mobile apps that allow you to read eBooks on your computer, tablet, or smartphone. How do I avoid digital eye strain while reading eBooks? To prevent digital eye strain, take regular breaks, adjust the font size and background color, and ensure proper lighting while reading eBooks. What the advantage of interactive eBooks? Interactive eBooks incorporate multimedia elements, quizzes, and activities, enhancing the reader engagement and providing a more immersive learning experience. Example Circuit Using Ads 3 02 is one of the best book in our library for free trial. We provide copy of Example Circuit Using Ads 3 02 in digital format, so the resources that you find are reliable. There are also many Ebooks of related with Example Circuit Using Ads 3 02. Where to download Example Circuit Using Ads 3 02 online for free? Are you looking for Example Circuit Using Ads 3 02 PDF? This is definitely going to save you time and cash in something you should think about.

Find Example Circuit Using Ads 3 02 :

retirement planning blueprint USA 86-630 retirement planning blueprint

[freelancing online review for creators 86-1977 freelancing online](#)

[remote jobs guide for creators 86-757](#) [remote jobs guide for credit score improvement tips USA 86-363](#) [credit score improvement tips entrepreneurs 86-2861](#) [career growth review for creators 86-1120](#) [career cybersecurity software America 86-2170](#) [cybersecurity software for 86-2765](#) **chatbot development roadmap for startups 86-2737** **chatbot small business 86-1857** **YouTube growth software United States 86-899** **YouTube growth roadmap for creators 86-1437** **YouTube growth roadmap for vehicles blueprint America 86-1422** [electric vehicles case study America fitness routines examples for startups 86-2527](#) **fitness routines examples entrepreneurs 86-286** **healthy recipes software for startups 86-2782** **86-1288** **affiliate marketing comparison for startups 86-1025** **affiliate startups 86-2060** **side hustles comparison America 86-1469** **side hustles 86-2151** [affiliate marketing tips USA 86-2550](#) [affiliate marketing tips](#)

Example Circuit Using Ads 3 02 :

c era una volta la confessione percorsi pastorali - Oct 19 2023

web la confessione jun 01 2020 *c era una volta la confessione* aug 08 2023 il monitore ecclesiastico mar 03 2023 l anima diretta nella via dello spirito ossia regolamento di vita per le persone devote di ogni stato con un particolar metodo di vivere per gli ecclesiastici ed un altro per le anime religiose etc nov 18 2021

[c era una volta la confessione percorsi pastorali pdf ftp](#) - Apr 01 2022

web 2 *c era una volta la confessione percorsi pastorali* 2021 04 22 phenomena on christian democratic parties in the current and future member states of the european union and highlights some of the particularities and universalities of european christian democracy from a comparative and transnational perspective political scientists and

c era una volta la confessione percorsi pastorali full pdf - Jun 15 2023

web *c era una volta la nebbia* christian democratic parties in europe since the end of the cold war from fascism to democracy countercultures and popular music *c era una volta la confessione percorsi pastorali* downloaded from gsevocab pearsonelt com by guest cochran marquis *c era una volta la provincia* university of toronto press as

c era una volta la confessione percorsi pastorali 2022 - Nov 08 2022

web *c era una volta la ddr 68* *c era una volta la rivoluzione* the truth society ponti italiano terzo millennio *c era una volta la prima volta come raccontare il sesso e l amore a scuola in famiglia a letto insieme eat drink and be merry luke 12 19 food and*

wine in byzantium a history of italian cinema politics and society in italian

c era una volta la confessione aldo maria valli lafeltrinelli - Jul 16 2023

web c era una volta la confessione è un libro di aldo maria valli pubblicato da ancora nella collana percorsi pastorali acquista su lafeltrinelli a 13 30

c era una volta la confessione percorsi pastorali amazon es - May 14 2023

web c era una volta la confessione percorsi pastorali valli aldo maria amazon es libros

c era una volta la confessione percorsi pastorali full pdf - Oct 07 2022

web c era una volta la confessione percorsi pastorali novo dizionario universale della lingua italianag apr 17 2021

confessione jan 27 2022 confessione in russo ispoved è una breve opera di lev tolstoj di argomento religioso distribuito per la prima volta in russia nel 1882 venne subito sequestrato perché ritenuto blasfemo venne

c era una volta la confessione percorsi pastorali jack london - Dec 09 2022

web c era una volta la confessione aldo m valli 2016 la figura e l opera di alfonso de liguori nel sannio angelomichele de spirito 1999 court and politics in papal rome 1492 1700 gianvittorio signorotto 2002 03 21 this 2002 book attempts to overcome the traditional historiographical approach to the role of the early modern papacy by

c era una volta la confessione percorsi pastorali - Jun 03 2022

web this c era una volta la confessione percorsi pastorali as one of the most vigorous sellers here will categorically be accompanied by the best options to review c era una volta la confessione percorsi pastorali downloaded from

c era una volta la confessione percorsi pastorali pdf - Apr 13 2023

web c era una volta la confessione percorsi pastorali la scienza del crimine sep 29 2022 il filosofo e il suo schermo video interviste confessioni monologhi jun 02 2020 il rapporto tra l intellettuale e i media nelle differenti forme in cui esso si articola in epoca contemporanea è una questione di grande attualità il

c era una volta la confessione percorsi pastorali pdf gigliola - Jul 04 2022

web jun 22 2023 c era una volta la confessione aldo maria valli 2016 03 09 un confessore di ieri e uno di oggi campeggiano sulla copertina di questo libro dall altro lato della grata ieri c erano molti penitenti oggi quanti ce ne sono le ricerche sociologiche e il senso comune ci dicono che la confessione

c era una volta la confessione percorsi pastorali italian edition - Aug 17 2023

web mar 9 2016 c era una volta la confessione percorsi pastorali italian edition kindle edition by valli aldo maria download it once and read it on your kindle device pc phones or tablets use features like bookmarks note taking and highlighting while reading c era una volta la confessione percorsi pastorali italian edition

c era una volta la confessione apple books - Jan 10 2023

web dall altro lato della grata ieri c erano molti penitenti oggi quanti ce ne sono le ricerche sociologiche e il senso comune ci dicono che la confessione nonostante le esortazioni dei papi non gode di buona salute ma se si va a
c era una volta la confessione percorsi pastorali - Sep 06 2022

web c era una volta la confessione percorsi pastorali 1 c era una volta la confessione percorsi pastorali italian annotated bibliography of tuna tuna like and billfish species encyclopedia of italian literary studies a j social representations in the social arena c era una volta la provincia sowing chaos the truth society megalithism

c era una volta la confessione percorsi pastorali - Mar 12 2023

web success next door to the revelation as well as insight of this c era una volta la confessione percorsi pastorali can be taken as skillfully as picked to act princes patronage and the nobility ronald g asch 1991 using a comparative perspective this volume studies the court as a crucial center of government and politics as well as the

c era una volta la confessione aldo maria valli libreria ibs - Sep 18 2023

web c era una volta la confessione è un libro di aldo maria valli pubblicato da ancora nella collana percorsi pastorali acquista su ibs a 13 30

free pdf download c era una volta la confessione percorsi pastorali - May 02 2022

web canon c era una volta una regina aug 07 2022 ponti italiano terzo millennio jun 24 2021 now featuring a brand new design and integration of short film the newly revised ponti italiano terzo millennio provides an up to date look at modern italy with a renewed focus on helping the second year student bridge the gap from the first year

percorsi pastorali c era una volta la confessione ebook aldo - Feb 11 2023

web percorsi pastorali c era una volta la confessione un confessore di ieri e uno di oggi campeggiano sulla copertina di questo libro dall altro lato

c era una volta di agatha christie lacuocaignorante - Feb 28 2022

web jul 24 2017 c era una volta apparso nel 1945 è un romanzo nel quale la christie ha riversato tutte le sue conoscenze sull antica civiltà egiziana che aveva appreso durante i suoi viaggi in compagnia del marito il celebre archeologo mallowan agatha christie breve nota biografica

c era una volta la confessione percorsi pastorali jean vanier - Aug 05 2022

web times for their favorite books later this c era una volta la confessione percorsi pastorali but stop in the works in harmful downloads rather than enjoying a fine ebook in the manner of a mug of coffee in the afternoon on the other hand they juggled with some harmful virus inside their computer c era una volta la confessione percorsi

the new real book paperback january 1 1988 amazon com - Jan 07 2023

web hello sign in account lists returns orders cart

the new real book volume 1 eb version - Dec 26 2021

web İstanbul real broşür katalog ve real İndirimleri İstanbul için geçerli güncel broşürlerini görüntülemektесiniz konum değiştirmek için tıklayınız güncel broşürler geçmiş tarihli

the new real book volume 1 eb edition - Feb 08 2023

web buy the new real book volume 1 eb version by sher chuck online on amazon ae at best prices fast and free shipping free returns cash on delivery available on eligible

İstanbul real güncel broşür katalog ve İndirimler - Oct 24 2021

the new real book eb vol vtjazz org - Apr 10 2023

web jun 1 2005 the new standard in jazz fake books since 1988 endorsed by mccoу tyner ron carter dave liebman and many more evenly divided between standards jazz

the new real book volume 1 key of eb amazon com - Mar 09 2023

web jan 1 1988 the new standard in jazz fake books since 1988 endorsed by mccoу tyner ron carter dave liebman and many more evenly divided between standards jazz

the new real book volume 1 eb version spiral ciltli - Jul 13 2023

web the new real book volume 1 eb version various amazon com tr kitap Çerez tercihlerinizi seçin Çerez bildirimimizde ayrıntılı şekilde açıklandığı üzere alışveriş

the new real book vol 1 digital edition sher music co - Apr 29 2022

web e book overview the new standard in jazz fake books since 1988 endorsed by mccoу tyner ron carter dave liebman and many more evenly divided between standards

amazon ae customer reviews the new real book volume 1 - Jul 01 2022

web the first legal ethical and easily downloadable version of the new real book the absolute best in jazz fake books endorsed by chick corea jamey aebersold mccoу

the new real book vol 1 sher music co - Jun 12 2023

web for hardcore jazzers and part time jazz musicians the new real book is a magnificent and meticulous fake book collection of jazz standards choice standards and pop

the new real book volume 1 eb version by sher chuck - Dec 06 2022

web the new real book volume 1 eb version by various at abebooks co uk isbn 10 1883217261 isbn 13 9781883217266 sher music co 1988 softcover

the new real book volume 1 key of c new real books pdf - Feb 25 2022

web the real book volume ii hal leonard corp 2005 06 01 fake book the real books are the best selling jazz books of all time since the 1970s musicians have trusted these

the new real book 1 eb version e flat instruments - May 11 2023

web eb inst title the new real book eb vol 2 author vermont jazz created date 9 8 2021 5 42 23 pm

the new real book volume 1 eb version spiral bound - Nov 05 2022

web oct 26 2020 the new real book eb vol 1 daisy zip download the new real book eb vol 2 daisy zip download the new real book eb vol 3 daisy zip download

the new real book volume 1 eb version softcover - Mar 29 2022

web buy the new real book volume 1 c version by online on amazon ae at best prices fast and free shipping free returns cash on delivery available on eligible purchase

the new real book volume 1 eb version pdf uniport edu - Nov 24 2021

web the new real book volume 1 c version instrumental solo various item code 9780961470142 39 99 availability in stock sher sales unfortunately we are unable

the new real book volume 1 eb version faber music - Aug 02 2022

web amazon in buy the new real book volume 1 eb version book online at best prices in india on amazon in read the new real book volume 1 eb version book reviews

libros de jazz real book free download borrow and - Sep 03 2022

web find helpful customer reviews and review ratings for the new real book volume 1 eb version at amazon ae read honest and unbiased product reviews from our users

the new real book volume 1 c version by amazon ae - Jan 27 2022

web aug 13 2023 the new real book volume 1 eb version 1 9 downloaded from uniport edu ng on august 13 2023 by guest the new real book volume 1 eb version

the new real book volume 1 c version faber music - Sep 22 2021

the new real book volume 1 eb version spiral bound - Aug 14 2023

web buy the new real book volume 1 eb version by various isbn 9781883217266 from amazon s book store everyday low prices and free delivery on eligible orders

buy the new real book volume 1 eb version book online at - May 31 2022

web the new real book volume 1 eb version bei abebooks de isbn 10 1883217261 isbn 13 9781883217266 sher music co u s 1988 softcover

the new real book volume 1 eb version abebooks - Oct 04 2022

web the new real book volume 1 eb version instrumental solo item code 9781883217266 39 99 availability in stock sher sales unfortunately we are unable

una chispa de locura spanish edition copy mx skylightframe - May 07 2022

web una chispa de locura spanish edition la torre la chispa 87 miracles happen the spanish american reader spanish american modernista poets beyond the metafictional mode spanish literature and poetry agua de nieve spanish language letras peninsulares la chispa 99 wipo magazine issue 6 2016 december spanish version

9781719937917 una chispa de locura spanish edition abebooks - May 19 2023

web abebooks com una chispa de locura spanish edition 9781719937917 by reed cora and a great selection of similar new used and collectible books available now at great prices 9781719937917 una chispa de locura spanish edition reed cora 1719937915 abebooks

una chispa de locura paperback 29 august 2018 - Oct 12 2022

web select the department you want to search in

una chispa de locura spanish edition format kindle amazon fr - Mar 17 2023

web achetez et téléchargez ebook una chispa de locura spanish edition boutique kindle littérature sentimentale amazon fr *una chispa de locura spanish edition kindle edition* - Apr 18 2023

web una chispa de locura spanish edition ebook reed cora amazon com au kindle store

una chispa de locura spanish edition kindle edition amazon de - Feb 16 2023

web una chispa de locura spanish edition ebook reed cora amazon de kindle store

la chispa translation into english examples spanish reverso - Jun 08 2022

web translation of la chispa in english spark sparkle the zing the allspark show more lo que presencié era realmente el ingenio de la chispa de la inspiración what i witnessed was indeed the ingenious spark of inspiration pero nos costó millones de años dar con la chispa but it took us millions of years to find that spark

una chispa de locura spanish edition kindle edition - Aug 22 2023

web aug 7 2018 amazon com una chispa de locura spanish edition ebook reed cora kindle store

una chispa de locura spanish edition paperback amazon - Dec 14 2022

web hello sign in account lists returns orders cart

amazon com una chispa de locura spanish edition - Jul 21 2023

web amazon com una chispa de locura spanish edition 9781719937917 reed cora reed cora libros

una chispa de locura spanish edition pasta blanda - Jun 20 2023

web hola elige tu dirección libros hola identifícate cuenta y listas devoluciones y pedidos carrito todo vender

una chispa de locura spanish edition kindle - Nov 13 2022

web aug 7 2018 una chispa de locura spanish edition kindle edition by reed cora download it once and read it on your kindle device pc phones or tablets use features like bookmarks note taking and highlighting while reading una

pulso volumen 3 spanish edition by carlos martínez goodreads - Jul 09 2022

web oct 18 2023 no es un héroe ni un guerrero cósmico pulso es una fuerza natural del universo es la chispa que comienza la nueva vida toda contenida dentro de un recipiente vivo que es despertado cuando la corrupción asola el universo no existe un pulso ya que por cada realidad hay una persona que tiene latente en su interior esa chispa

una chispa de locura spanish edition kindle edition - Sep 11 2022

web aug 7 2018 amazon co jp una chispa de locura spanish edition ebook reed cora kindle store

una chispa de locura spanish edition edición kindle - Sep 23 2023

web amazon com una chispa de locura spanish edition ebook reed cora tienda kindle

[una chispa de locura spanish edition kindle ausgabe](#) - Jan 15 2023

web una chispa de locura spanish edition ebook reed cora amazon de kindle shop

una locura translation into english examples spanish - Apr 06 2022

web noun crazy insane foolish madness folly insanity nuts mad a madhouse show more es una locura pero sé que se requiere de un cambio it s crazy but i know there s a change needed

una chispa short 2014 imdb - Aug 10 2022

web jun 4 2014 una chispa directed by lucas soto release calendar top 250 movies most popular movies browse movies by genre top box office showtimes tickets movie news india movie spotlight

una chispa de locura spanish edition by cora reed - Mar 05 2022

web tratar entre amigos una chispa de locura despierta la costa selvaggia de los imposibles spanish edition ebook una pequena chispa de locura tnelaciones customer reviews una chispa de locura color de locura la chispa lecturas 2018 pinterest libro una chispa de locura del autor cora reed chispa beautiful saga

[una chispa de locura spanish edition](#) - Feb 04 2022

web merely said the una chispa de locura spanish edition is universally compatible like any devices to read the emblematic mode of representation in the spanish golden age bradley j nelson 2000 written lives javier marías 2007 05 17 an affectionate and very funny gallery of twenty great