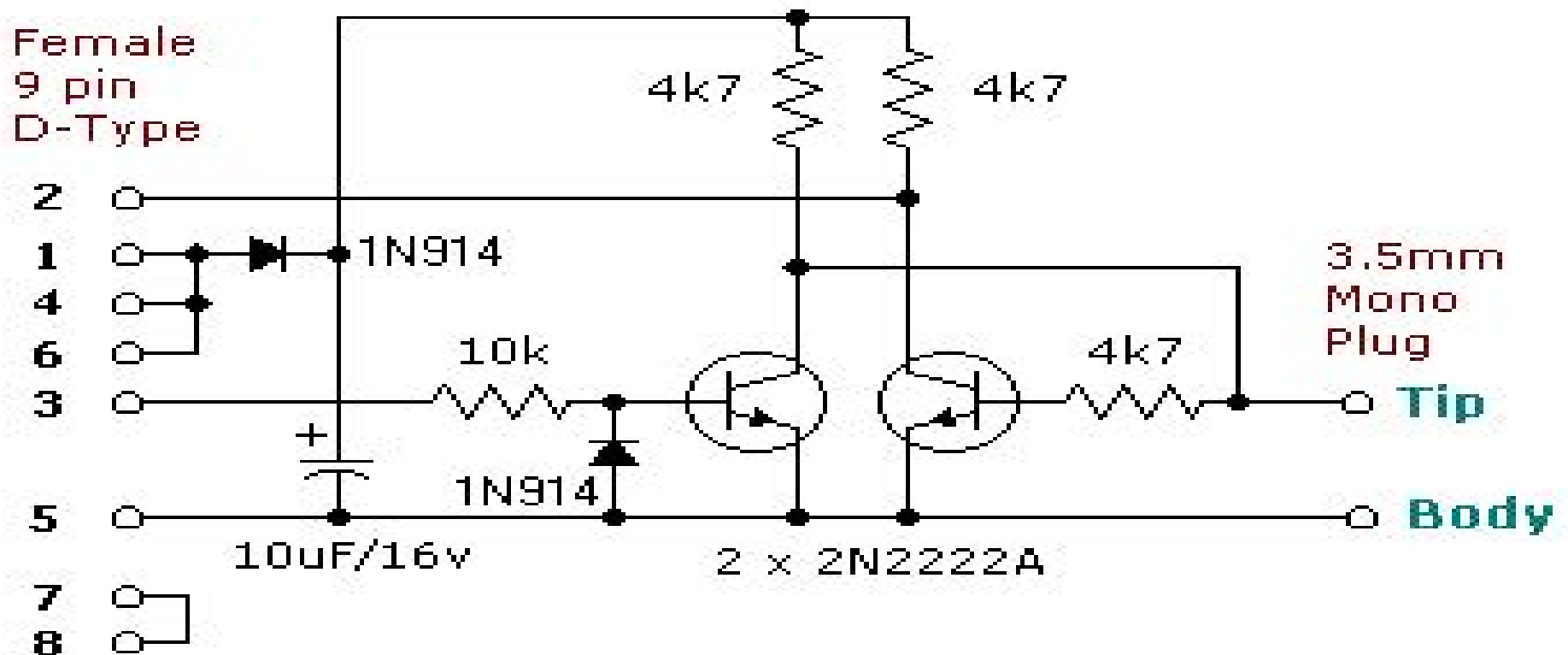
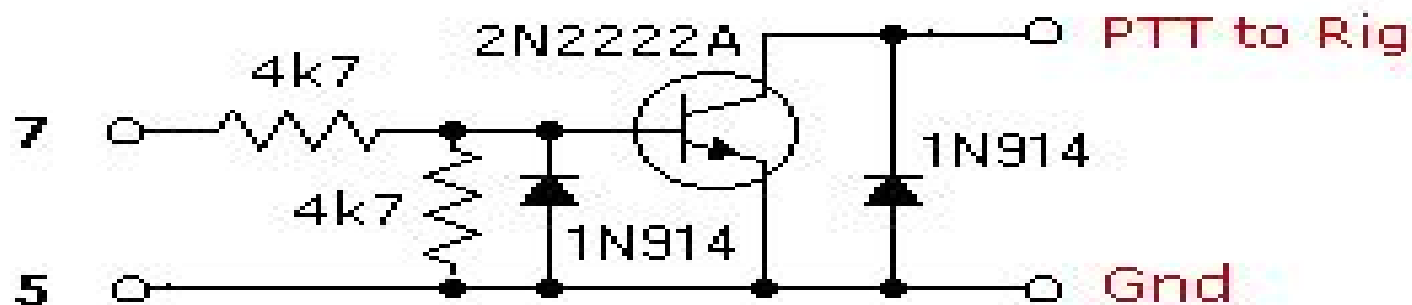


Icom CI-V Interface



Additional Circuitry to provide PTT from RTS



Icom Ci V Interface Guide Xggcomms

Clifford Lane



Icom Ci V Interface Guide Xggcomms:

Eventually, you will certainly discover a new experience and achievement by spending more cash. yet when? complete you believe that you require to acquire those every needs taking into consideration having significantly cash? Why dont you attempt to get something basic in the beginning? Thats something that will lead you to understand even more nearly the globe, experience, some places, as soon as history, amusement, and a lot more?

It is your unquestionably own era to piece of legislation reviewing habit. in the course of guides you could enjoy now is **Icom Ci V Interface Guide Xggcomms** below.

<https://py.bijouxmedusa.com/files/virtual-library/HomePages/gcse%209%201%20combined%20science.pdf>

Table of Contents Icom Ci V Interface Guide Xggcomms

1. Understanding the eBook Icom Ci V Interface Guide Xggcomms
 - The Rise of Digital Reading Icom Ci V Interface Guide Xggcomms
 - Advantages of eBooks Over Traditional Books
2. Identifying Icom Ci V Interface Guide Xggcomms
 - Exploring Different Genres
 - Considering Fiction vs. Non-Fiction
 - Determining Your Reading Goals
3. Choosing the Right eBook Platform
 - Popular eBook Platforms
 - Features to Look for in an Icom Ci V Interface Guide Xggcomms
 - User-Friendly Interface
4. Exploring eBook Recommendations from Icom Ci V Interface Guide Xggcomms
 - Personalized Recommendations
 - Icom Ci V Interface Guide Xggcomms User Reviews and Ratings
 - Icom Ci V Interface Guide Xggcomms and Bestseller Lists
5. Accessing Icom Ci V Interface Guide Xggcomms Free and Paid eBooks

- Icom Ci V Interface Guide Xggcomms Public Domain eBooks
 - Icom Ci V Interface Guide Xggcomms eBook Subscription Services
 - Icom Ci V Interface Guide Xggcomms Budget-Friendly Options
6. Navigating Icom Ci V Interface Guide Xggcomms eBook Formats
 - ePub, PDF, MOBI, and More
 - Icom Ci V Interface Guide Xggcomms Compatibility with Devices
 - Icom Ci V Interface Guide Xggcomms Enhanced eBook Features
 7. Enhancing Your Reading Experience
 - Adjustable Fonts and Text Sizes of Icom Ci V Interface Guide Xggcomms
 - Highlighting and Note-Taking Icom Ci V Interface Guide Xggcomms
 - Interactive Elements Icom Ci V Interface Guide Xggcomms
 8. Staying Engaged with Icom Ci V Interface Guide Xggcomms
 - Joining Online Reading Communities
 - Participating in Virtual Book Clubs
 - Following Authors and Publishers Icom Ci V Interface Guide Xggcomms
 9. Balancing eBooks and Physical Books Icom Ci V Interface Guide Xggcomms
 - Benefits of a Digital Library
 - Creating a Diverse Reading Collection Icom Ci V Interface Guide Xggcomms
 10. Overcoming Reading Challenges
 - Dealing with Digital Eye Strain
 - Minimizing Distractions
 - Managing Screen Time
 11. Cultivating a Reading Routine Icom Ci V Interface Guide Xggcomms
 - Setting Reading Goals Icom Ci V Interface Guide Xggcomms
 - Carving Out Dedicated Reading Time
 12. Sourcing Reliable Information of Icom Ci V Interface Guide Xggcomms
 - Fact-Checking eBook Content of Icom Ci V Interface Guide Xggcomms
 - Distinguishing Credible Sources
 13. Promoting Lifelong Learning
 - Utilizing eBooks for Skill Development

- Exploring Educational eBooks
- 14. Embracing eBook Trends
 - Integration of Multimedia Elements
 - Interactive and Gamified eBooks

Icom Ci V Interface Guide Xggcomms Introduction

Free PDF Books and Manuals for Download: Unlocking Knowledge at Your Fingertips In today's fast-paced digital age, obtaining valuable knowledge has become easier than ever. Thanks to the internet, a vast array of books and manuals are now available for free download in PDF format. Whether you are a student, professional, or simply an avid reader, this treasure trove of downloadable resources offers a wealth of information, conveniently accessible anytime, anywhere. The advent of online libraries and platforms dedicated to sharing knowledge has revolutionized the way we consume information. No longer confined to physical libraries or bookstores, readers can now access an extensive collection of digital books and manuals with just a few clicks. These resources, available in PDF, Microsoft Word, and PowerPoint formats, cater to a wide range of interests, including literature, technology, science, history, and much more. One notable platform where you can explore and download free Icom Ci V Interface Guide Xggcomms PDF books and manuals is the internet's largest free library. Hosted online, this catalog compiles a vast assortment of documents, making it a veritable goldmine of knowledge. With its easy-to-use website interface and customizable PDF generator, this platform offers a user-friendly experience, allowing individuals to effortlessly navigate and access the information they seek. The availability of free PDF books and manuals on this platform demonstrates its commitment to democratizing education and empowering individuals with the tools needed to succeed in their chosen fields. It allows anyone, regardless of their background or financial limitations, to expand their horizons and gain insights from experts in various disciplines. One of the most significant advantages of downloading PDF books and manuals lies in their portability. Unlike physical copies, digital books can be stored and carried on a single device, such as a tablet or smartphone, saving valuable space and weight. This convenience makes it possible for readers to have their entire library at their fingertips, whether they are commuting, traveling, or simply enjoying a lazy afternoon at home. Additionally, digital files are easily searchable, enabling readers to locate specific information within seconds. With a few keystrokes, users can search for keywords, topics, or phrases, making research and finding relevant information a breeze. This efficiency saves time and effort, streamlining the learning process and allowing individuals to focus on extracting the information they need. Furthermore, the availability of free PDF books and manuals fosters a culture of continuous learning. By removing financial barriers, more people can access educational resources and pursue lifelong learning, contributing to personal growth and professional development. This democratization of knowledge promotes intellectual curiosity and

empowers individuals to become lifelong learners, promoting progress and innovation in various fields. It is worth noting that while accessing free Icom Ci V Interface Guide Xggcomms PDF books and manuals is convenient and cost-effective, it is vital to respect copyright laws and intellectual property rights. Platforms offering free downloads often operate within legal boundaries, ensuring that the materials they provide are either in the public domain or authorized for distribution. By adhering to copyright laws, users can enjoy the benefits of free access to knowledge while supporting the authors and publishers who make these resources available. In conclusion, the availability of Icom Ci V Interface Guide Xggcomms free PDF books and manuals for download has revolutionized the way we access and consume knowledge. With just a few clicks, individuals can explore a vast collection of resources across different disciplines, all free of charge. This accessibility empowers individuals to become lifelong learners, contributing to personal growth, professional development, and the advancement of society as a whole. So why not unlock a world of knowledge today? Start exploring the vast sea of free PDF books and manuals waiting to be discovered right at your fingertips.

FAQs About Icom Ci V Interface Guide Xggcomms Books

How do I know which eBook platform is the best for me? Finding the best eBook platform depends on your reading preferences and device compatibility. Research different platforms, read user reviews, and explore their features before making a choice. Are free eBooks of good quality? Yes, many reputable platforms offer high-quality free eBooks, including classics and public domain works. However, make sure to verify the source to ensure the eBook credibility. Can I read eBooks without an eReader? Absolutely! Most eBook platforms offer web-based readers or mobile apps that allow you to read eBooks on your computer, tablet, or smartphone. How do I avoid digital eye strain while reading eBooks? To prevent digital eye strain, take regular breaks, adjust the font size and background color, and ensure proper lighting while reading eBooks. What the advantage of interactive eBooks? Interactive eBooks incorporate multimedia elements, quizzes, and activities, enhancing the reader engagement and providing a more immersive learning experience. Icom Ci V Interface Guide Xggcomms is one of the best book in our library for free trial. We provide copy of Icom Ci V Interface Guide Xggcomms in digital format, so the resources that you find are reliable. There are also many Ebooks of related with Icom Ci V Interface Guide Xggcomms. Where to download Icom Ci V Interface Guide Xggcomms online for free? Are you looking for Icom Ci V Interface Guide Xggcomms PDF? This is definitely going to save you time and cash in something you should think about.

Find Icom Ci V Interface Guide Xggcomms :

[gcse 9 1 combined science](#)

[fundamentals of hydraulic engineering hwang solution](#)

[foundations for offshore wind turbines](#)

[fundamentals of jet propulsion with applications](#)

[critical thinking test](#)

[general organic and biological chemistry janice smith](#)

[icb business literacy past exam papers](#)

[fundamentals of electrical engineering rizzoni solutions chapter 6](#)

frontiers of electronic commerce ravi kalakota

functional testing in human performance

[garrett and grisham biochemistry 4th edition](#)

fountas and pinnell text gradient chart

fundamentals of biochemistry 8th edition

download exam ref 70 411 administering windows server 2012 r2 pdf

fundamentals of signals and systems using the web matlab 3rd edition

Icom Ci V Interface Guide Xggcomms :

detroit engine service manual dd s in line71 jensales - Nov 10 2022

detroit 3 71 4 71 6 71 service manual written in the language of a mechanic this service manual for detroit provides detailed information on how to take your engine apart fix it and put it back together you will need this manual if your detroit is broken also known as the repair shop technical it overhaul manual this is a 552

detroit diesel 4 71 engine troubleshooting 4 71 turbo - Dec 31 2021

as a quick reference guide only the chart must not be thought of as a substitute for the use of your detroit diesel engine 4 71 turbo owner s operating or service manual click here to send you this free guide detroit diesel 4 71 usefull information the detroit 471 engine will last you for many hours with proper maintenance and care

detroit diesel v 71 operator s manual pdf download - Mar 14 2023

view and download detroit diesel v 71 operator s manual online v 71 engine pdf manual download

detroit diesel engine service manuals pdf wiring diagrams - Aug 07 2022

in addition the two largest units used many smaller engine heads to maintain reasonable sizes and weights therefore in a 16 cylinder engine four 4 71 engine heads were used and in a 24 cylinder engine there were up to four 6 71 engine heads

[detroit diesel service manual free download pdf truckmanualshub](#) - Apr 15 2023

aug 9 2018 here are some service repair and workshop manuals for mbe 4000 mbe 900 detroit diesel series 40 detroit diesel v 71 and others detroit diesel engines workshop repair manuals parts catalog fault codes and wiring

detroit diesel 4 71 engine manual - May 04 2022

1 source of detroit diesel 4 71 natural engine service troubleshooting and operating manuals 24hr worldwide shipping direct to you

4 71 detroit diesel engine manual - Feb 01 2022

1 source of detroit diesel 4 71 engine service troubleshooting and operating manuals 24hr worldwide shipping direct to you
detroit diesel service manual for 271 371 471 671 price 587 25 qty details in stock add to cart 2 detroit diesel cylinder liner puller

[detroit diesel 71 series engine operator s manual](#) - Mar 02 2022

this manual serves as an invaluable resource for operators technicians and enthusiasts working with this engine model the manual covers a wide range of topics related to the detroit diesel 71 series engine including detailed information about its specifications component functions and operating principles

detroit diesel series 71 wikipedia - Apr 03 2022

the detroit diesel series 71 is a two stroke diesel engine series available in both inline and v configurations manufactured by detroit diesel the number 71 refers to the nominal displacement per cylinder in cubic inches a rounding off of 70 93 cu in 1 2 l

detroit diesel 4 71 manuals boatediesel com - Jul 06 2022

detroit diesel inline series 71 service manual 1030 8 1981 detroit diesel 71 series 92 series service manual marine gear reduction gear transmission 6se355 rev 4 81 392 9 1996 detroit diesel technician s guide cooling system 7se390 9602 34

detroit 3 71 4 71 6 71 engine service manual in line jensales - Sep 08 2022

jensales is proud to bring you the service manual for your detroit 3 71 4 71 6 71 engine at 552 pages this service manual a k a shop repair overhaul technical manual is what your detroit needs for repair overhaul or restoration

[detroit diesel series 71 service repair manuals pdf](#) - May 16 2023

sep 3 2022 detroit diesel series 71 the detroit diesel series 71 engine is a 2 stroke diesel engine the engine is produced in an in line and v shaped configuration versions of 2 3 4 and 6 cylinder in line engines and 6 8 12 16 and 24 cylinder v

[detroit diesel v 71 technical manual procarmanuals com](#) - Nov 29 2021

this manual s comprehensive guidance helps ensure accurate diagnostics precise repairs and optimal performance for detroit diesel v 71 engines the detroit diesel v 71 technical manual is an essential resource for anyone seeking detailed technical information about the v 71 engine

detroit diesel 4 71 specs bolt torques manuals - Dec 11 2022

detroit diesel 4 71 diesel engine workshop repair manuals detroit diesel in line 71 engines workshop manual 951 pages click to download detroit diesel in line 71 engines workshop manual earlier engines 204 pages click to download detroit diesel in original detroit diesel series 71 4 71 6 71 diesel engines - Oct 29 2021

may 19 2021 this is an original general motors detroit diesel series 71 engines maintenance manual this manual has super illustrations as well as having in depth maintenance information for these hard working gm detroit diesel engines

detroit diesel v 71 series manuals manualslib - Jan 12 2023

we have 2 detroit diesel v 71 series manuals available for free pdf download operator s manual detroit diesel v 71 series operator s manual 75 pages brand detroit diesel category engine size 7 mb table of contents introduction 3 table of contents 4 principles of operation 5 the two cycle principle 5 the two stroke cycle 5

detroit diesel v 71 series operator s manual pdf - Sep 20 2023

view and download detroit diesel v 71 series operator s manual online v 71 series engine pdf manual download

detroit diesel inline series 71 service manual pdf scribd - Oct 09 2022

this manual was written primarily for persons servicing and overhauling the engine in addition it contains all of the instructions essential to operators and users basic maintenance and overhaul procedures are common to all inline series 71 engines and

detroit diesel series inline 71 service manual 6 se 177 1984 - Jun 17 2023

jan 1 2020 detroit diesel series inline 71 service manual 6se177 1984 ocr 913 pages

detroit diesel engine v71 service manual manualmachine com - Feb 13 2023

a complete manual table of contents b foreword descriptions instructions and parts listing pertaining to the model qwt 85 are discussed throughout this manual under the general headings chassis pump and ladder foldout illustrations and schematics are located at the rear of this volume

detroit engine manuals parts catalogs - Jul 18 2023

in line 71 series detroit diesel engine 4 71 and 6 71 maintenance workshop repair manual 204 pages service information bulletins service letters modification bulletins support information 176302 in line 71 series detroit in line 71 series diesel engine custom spare parts catalog inform serial number of the engine 176303 2 71 3 71

detroit diesel in line 3 71 4 71 6 71 service manual jensales - Aug 19 2023

this manual contains instructions on the overhaul maintenance and operation of the basic general motors 3 4 and 6 cylinder series 71 71e and 71 t diesel engines full benefit of the long life and dependability built into these engines

detroit diesel manuals order detroit diesel engine repair - Jun 05 2022

71 series detroit diesel engine manuals at diesel pro power we strive to make the complicated easy that goes for finding the parts and components as well as the resources and information you need to service 71 series engines our selection of detroit diesel manuals for sale includes technical publications for 271 371 471 671 6v71 8v71

2020 kitten sitting stylish planner calendar orga pdf pdf - Sep 25 2022

web 2020 kitten sitting stylish planner calendar orga pdf upload suny t williamson 1 20 downloaded from voto uneal edu br on september 15 2023 by suny t williamson 2020

2020 kitten sitting stylish planner calendar orga zuzutop com - Jul 24 2022

web 2020 kitten sitting stylish planner calendar orga getting the books 2020 kitten sitting stylish planner calendar orga now is not type of challenging means you could not

2020 kitten sitting stylish planner calendar orga pdf api - Nov 27 2022

web 2020 kitten sitting stylish planner calendar orga 3 3 desk large enough to make plenty of notes printed on high quality off white paper inspirational quotes throughout notes

2020 kitten sitting stylish planner calendar organizer daily - Jun 03 2023

web 2020 kitten sitting stylish planner calendar organizer daily weekly monthly vintage retro poster style for notes on how to train a cat to sit by molly elodie rose desk

2020 kitten sitting stylish planner calendar orga - Aug 25 2022

web right here we have countless books 2020 kitten sitting stylish planner calendar orga and collections to check out we additionally find the money for variant types and

2020 kitten sitting stylish planner calendar orga pdf frederik - Jul 04 2023

web may 12 2023 like this 2020 kitten sitting stylish planner calendar orga pdf but end up in infectious downloads rather than reading a good book with a cup of coffee in the

2020 kitten sitting stylish planner calendar organizer daily - Jan 18 2022

web may 18 2023 2020 kitten sitting stylish planner calendar organizer daily weekly monthly vintage retro poster style for notes on how to train a cat to sit by molly

2020 kitten sitting stylish planner calendar organizer daily - Dec 17 2021

web 2020 kitten sitting stylish planner calendar organizer daily weekly monthly vintage retro poster style for notes on how to train a cat to sit by molly elodie rose

2020 2022 3 year monthly planner amazon com tr - Aug 05 2023

web planner 2020 2022 adorable ginger cat three year 36 months calendar agenda with monthly spread views cute kitten 3 year organizer with to do s notes vision

2020 2024 planner trendy 5 year monthly organizer schedule - Apr 01 2023

web 2020 2024 planner trendy 5 year monthly organizer schedule calendar agenda with 60 months spread view beautiful kitten playing on a sunny day crazy cat lady

2020 kitten sitting stylish planner calendar orga pdf book - May 02 2023

web may 15 2023 2020 kitten sitting stylish planner calendar orga pdf right here we have countless ebook 2020 kitten sitting stylish planner calendar orga pdf and

2020 kitten sitting stylish planner calendar organizer daily - Oct 07 2023

web 2020 kitten sitting stylish planner calendar organizer daily weekly monthly vintage retro poster style for notes on how to train a cat to sit rose molly elodie

2020 kitten sitting stylish planner calendar organizer daily - Nov 15 2021

web 2020 kitten sitting stylish planner calendar organizer daily weekly monthly vintage retro poster style for notes on how to train a cat to sit by molly elodie rose glow

2020 kitten sitting stylish planner calendar orga pdf allison - Dec 29 2022

web jun 16 2023 2020 kitten sitting stylish planner calendar orga pdf right here we have countless book 2020 kitten sitting stylish planner calendar orga pdf and collections

cat kitten sticker sheet for planner journal agenda etsy - Jan 30 2023

web cats sticker sheet kamio brand made in japan size of the sheet is about 3 5 x 8 inch they are so cute kawaii and fun checkout many more kawaii items at

2020kittensittingstylishplannercalendarorga joacimrocklöv - May 22 2022

web 2020 kitten sitting stylish planner calendar orga pdf merely said the 2020 kitten sitting stylish planner calendar orga pdf is universally compatible with any devices to read the

2020kittensittingstylishplannercalendarorga download only - Mar 20 2022

web 2020kittensittingstylishplannercalendarorga 1 2020kittensittingstylishplannercalendarorga

2020 kitten sitting stylish planner calendar orga jonathan - Apr 20 2022

web 2020 kitten sitting stylish planner calendar orga right here we have countless book 2020 kitten sitting stylish planner calendar orga and collections to check out we

2020 kitten sitting stylish planner calendar orga pdf copy - Oct 27 2022

web apr 30 2023 this 2020 kitten sitting stylish planner calendar orga pdf as one of the most operational sellers here will utterly be along with the best options to review 2020

kalender 2020 templat poster kucing postermiywall - Feb 16 2022

web sesuaikan desain ini dengan foto dan teks anda ribuan stok foto dan perangkat yang mudah digunakan tersedia unduhan gratis

2020 kitten sitting stylish planner calendar orga pdf - Feb 28 2023

web 2020 kitten sitting stylish planner calendar orga pdf this is likewise one of the factors by obtaining the soft documents of this 2020 kitten sitting stylish planner calendar

2020 kitten sitting stylish planner calendar orga - Jun 22 2022

web research in any way in the course of them is this 2020 kitten sitting stylish planner calendar orga that can be your partner tiny but mighty hannah shaw 2019 08 06 a

2020 kitten sitting stylish planner calendar orga kitty aldridge - Sep 06 2023

web we give 2020 kitten sitting stylish planner calendar orga and numerous books collections from fictions to scientific research in any way in the middle of them is this

İstanbul hava durumu tahmini yandex hava durumu - May 12 2023

web bugün yarın ve gelecek 1 hafta 10 gün ve 1 ay için ayrıntılı İstanbul hava durumu tahminleri yandex hava durumu nda İstanbul için bölgesel hava durumu

İstanbul da gezilecek yerler en popüler 100 yer detaylı - Aug 15 2023

web yeni camii yeni camii osmanlı sultan aileleri tarafından yaptırılmış İstanbul un tarihi camileri arasında yer almış boğaz kıyısında yer alan en görkemli ve İstanbul silüetinin temel simgesi haline gelmiş olan bir camidir İsmi yeni camii olsa da yaklaşık 500 yıllık bir osmanlık camisidir

İstanbul seyahati 2023 tripadvisor - Jul 14 2023

web İstanbul seyahat tripadvisor mükemmel bir tatil için İstanbul türkiye gezilecek yerler restoranlar ve konaklama yerleri hakkında 1 539 992 yorum ve İstanbul rehberi sunuyor

istanbul türkiye 2023 best places to visit tripadvisor - Apr 11 2023

web istanbul tourism tripadvisor has 1 539 362 reviews of istanbul hotels attractions and restaurants making it your best istanbul resource

istanbul wikipedia - Jun 13 2023

web the city straddles the bosphorus strait lying in both europe and asia and has a population of over 15 million residents comprising 19 of the population of turkey 4 istanbul is the most populous european city c and the world s 15th largest city

