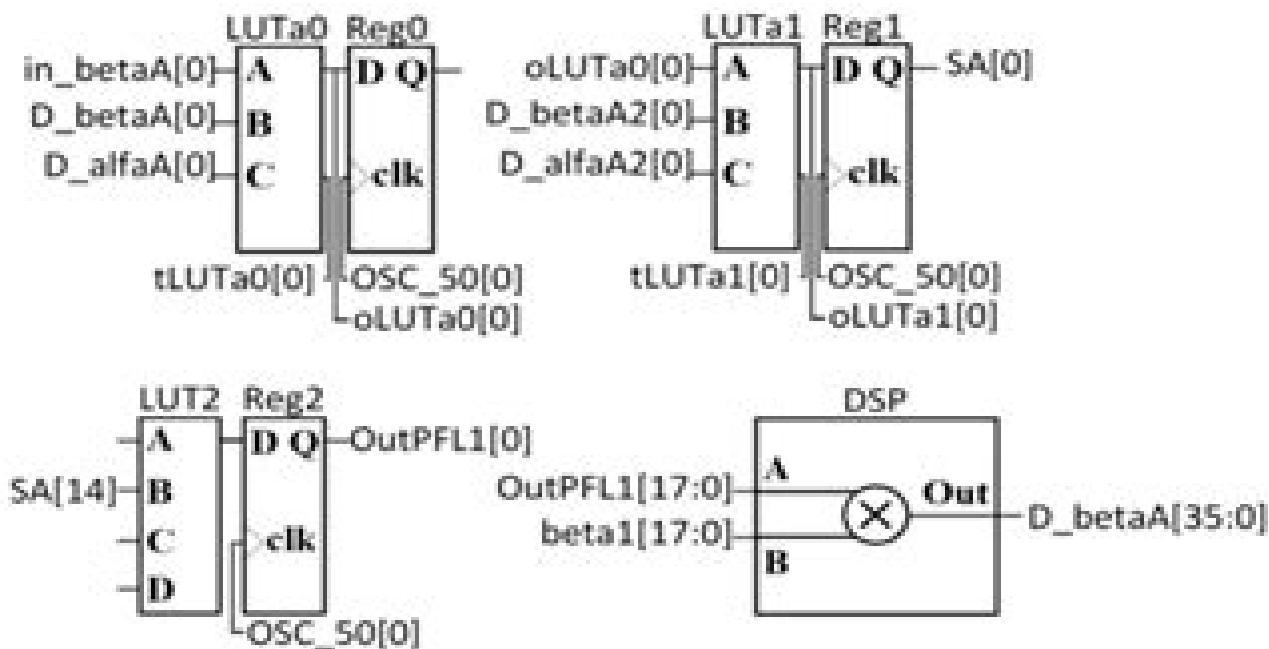


(a)



(b)

```

always@(posedge OSC_50[0])
  OlnPp={
    OlnP[11],OlnP[11],OlnP[11],OlnP[11],OlnP[11],
    OlnP[11],OlnP[11],OlnP[11],OlnP[11],OlnP[11],
    OlnP[11],OlnP[11],OlnP[11],OlnP[11],OlnP[11,0],
    OlnP[0],OlnP[0]};
  in_beta0A = OlnPp*beta0;
end
always@(posedge OSC_50[0])
begin
  D_betaA <= OlnPL1*beta1;
  D_alfaA <= OlnPFL1*alfa1;
  D_betaA2 <= OlnPL2*beta2;
  D_alfaA2 <= OlnPFL2*alfa2;
end

```

(c)

```

always@(negedge OSC_50[0])//
begin
  SA = in_beta0A + D_betaA + D_alfaA
  - D_alfaA2 + D_betaA2;
  OlnPF = SA[27:14];
  OlnPFL2=OlnPFL1;
  OlnPFL1={
    SA[27],
    SA[27],SA[27],SA[27],SA[27],SA[27],
    SA[27],SA[27],SA[27],SA[27],SA[27],
    SA[27],SA[27],SA[27],SA[27],SA[27,14]};
  OlnPL2=OlnPL1;
  OlnPL1=OlnPp;
end

```

Iir Filter Verilog Code Sdocuments2

LP Steffe



Iir Filter Verilog Code Sdocuments2:

Enjoying the Melody of Appearance: An Mental Symphony within **Iir Filter Verilog Code Sdocuments2**

In some sort of consumed by monitors and the ceaseless chatter of instantaneous connection, the melodic splendor and emotional symphony developed by the written term often fade into the back ground, eclipsed by the constant sound and disturbances that permeate our lives. But, located within the pages of **Iir Filter Verilog Code Sdocuments2** a marvelous fictional prize brimming with fresh thoughts, lies an immersive symphony waiting to be embraced. Crafted by an outstanding composer of language, this interesting masterpiece conducts viewers on an emotional journey, well unraveling the hidden songs and profound affect resonating within each carefully crafted phrase. Within the depths of this moving assessment, we shall examine the book is central harmonies, analyze its enthralling publishing model, and submit ourselves to the profound resonance that echoes in the depths of readers souls.

https://py.bijouxmedusa.com/results/publication/default.aspx/1970_1985_Land_Rover_Range_Rover_Factory_Service_Repair_Workshop_Manual_1970_1971_1972_1973_1974_1975_1976_1977_1978_1979_1980_1981_1982_1983_1984_1985.pdf

Table of Contents Iir Filter Verilog Code Sdocuments2

1. Understanding the eBook Iir Filter Verilog Code Sdocuments2
 - The Rise of Digital Reading Iir Filter Verilog Code Sdocuments2
 - Advantages of eBooks Over Traditional Books
2. Identifying Iir Filter Verilog Code Sdocuments2
 - Exploring Different Genres
 - Considering Fiction vs. Non-Fiction
 - Determining Your Reading Goals
3. Choosing the Right eBook Platform
 - Popular eBook Platforms
 - Features to Look for in an Iir Filter Verilog Code Sdocuments2
 - User-Friendly Interface
4. Exploring eBook Recommendations from Iir Filter Verilog Code Sdocuments2

- Personalized Recommendations
- Iir Filter Verilog Code Sdocuments2 User Reviews and Ratings
- Iir Filter Verilog Code Sdocuments2 and Bestseller Lists
- 5. Accessing Iir Filter Verilog Code Sdocuments2 Free and Paid eBooks
 - Iir Filter Verilog Code Sdocuments2 Public Domain eBooks
 - Iir Filter Verilog Code Sdocuments2 eBook Subscription Services
 - Iir Filter Verilog Code Sdocuments2 Budget-Friendly Options
- 6. Navigating Iir Filter Verilog Code Sdocuments2 eBook Formats
 - ePub, PDF, MOBI, and More
 - Iir Filter Verilog Code Sdocuments2 Compatibility with Devices
 - Iir Filter Verilog Code Sdocuments2 Enhanced eBook Features
- 7. Enhancing Your Reading Experience
 - Adjustable Fonts and Text Sizes of Iir Filter Verilog Code Sdocuments2
 - Highlighting and Note-Taking Iir Filter Verilog Code Sdocuments2
 - Interactive Elements Iir Filter Verilog Code Sdocuments2
- 8. Staying Engaged with Iir Filter Verilog Code Sdocuments2
 - Joining Online Reading Communities
 - Participating in Virtual Book Clubs
 - Following Authors and Publishers Iir Filter Verilog Code Sdocuments2
- 9. Balancing eBooks and Physical Books Iir Filter Verilog Code Sdocuments2
 - Benefits of a Digital Library
 - Creating a Diverse Reading Collection Iir Filter Verilog Code Sdocuments2
- 10. Overcoming Reading Challenges
 - Dealing with Digital Eye Strain
 - Minimizing Distractions
 - Managing Screen Time
- 11. Cultivating a Reading Routine Iir Filter Verilog Code Sdocuments2
 - Setting Reading Goals Iir Filter Verilog Code Sdocuments2
 - Carving Out Dedicated Reading Time
- 12. Sourcing Reliable Information of Iir Filter Verilog Code Sdocuments2

- Fact-Checking eBook Content of Iir Filter Verilog Code Sdocuments2
 - Distinguishing Credible Sources
13. Promoting Lifelong Learning
 - Utilizing eBooks for Skill Development
 - Exploring Educational eBooks
 14. Embracing eBook Trends
 - Integration of Multimedia Elements
 - Interactive and Gamified eBooks

Iir Filter Verilog Code Sdocuments2 Introduction

In this digital age, the convenience of accessing information at our fingertips has become a necessity. Whether its research papers, eBooks, or user manuals, PDF files have become the preferred format for sharing and reading documents. However, the cost associated with purchasing PDF files can sometimes be a barrier for many individuals and organizations. Thankfully, there are numerous websites and platforms that allow users to download free PDF files legally. In this article, we will explore some of the best platforms to download free PDFs. One of the most popular platforms to download free PDF files is Project Gutenberg. This online library offers over 60,000 free eBooks that are in the public domain. From classic literature to historical documents, Project Gutenberg provides a wide range of PDF files that can be downloaded and enjoyed on various devices. The website is user-friendly and allows users to search for specific titles or browse through different categories. Another reliable platform for downloading Iir Filter Verilog Code Sdocuments2 free PDF files is Open Library. With its vast collection of over 1 million eBooks, Open Library has something for every reader. The website offers a seamless experience by providing options to borrow or download PDF files. Users simply need to create a free account to access this treasure trove of knowledge. Open Library also allows users to contribute by uploading and sharing their own PDF files, making it a collaborative platform for book enthusiasts. For those interested in academic resources, there are websites dedicated to providing free PDFs of research papers and scientific articles. One such website is Academia.edu, which allows researchers and scholars to share their work with a global audience. Users can download PDF files of research papers, theses, and dissertations covering a wide range of subjects. Academia.edu also provides a platform for discussions and networking within the academic community. When it comes to downloading Iir Filter Verilog Code Sdocuments2 free PDF files of magazines, brochures, and catalogs, Issuu is a popular choice. This digital publishing platform hosts a vast collection of publications from around the world. Users can search for specific titles or explore various categories and genres. Issuu offers a seamless reading experience with its user-friendly interface and allows users to download PDF files for offline reading. Apart from

dedicated platforms, search engines also play a crucial role in finding free PDF files. Google, for instance, has an advanced search feature that allows users to filter results by file type. By specifying the file type as "PDF," users can find websites that offer free PDF downloads on a specific topic. While downloading Iir Filter Verilog Code Sdocuments2 free PDF files is convenient, its important to note that copyright laws must be respected. Always ensure that the PDF files you download are legally available for free. Many authors and publishers voluntarily provide free PDF versions of their work, but its essential to be cautious and verify the authenticity of the source before downloading Iir Filter Verilog Code Sdocuments2. In conclusion, the internet offers numerous platforms and websites that allow users to download free PDF files legally. Whether its classic literature, research papers, or magazines, there is something for everyone. The platforms mentioned in this article, such as Project Gutenberg, Open Library, Academia.edu, and Issuu, provide access to a vast collection of PDF files. However, users should always be cautious and verify the legality of the source before downloading Iir Filter Verilog Code Sdocuments2 any PDF files. With these platforms, the world of PDF downloads is just a click away.

FAQs About Iir Filter Verilog Code Sdocuments2 Books

What is a Iir Filter Verilog Code Sdocuments2 PDF? A PDF (Portable Document Format) is a file format developed by Adobe that preserves the layout and formatting of a document, regardless of the software, hardware, or operating system used to view or print it. **How do I create a Iir Filter Verilog Code Sdocuments2 PDF?** There are several ways to create a PDF: Use software like Adobe Acrobat, Microsoft Word, or Google Docs, which often have built-in PDF creation tools. Print to PDF: Many applications and operating systems have a "Print to PDF" option that allows you to save a document as a PDF file instead of printing it on paper. Online converters: There are various online tools that can convert different file types to PDF. **How do I edit a Iir Filter Verilog Code Sdocuments2 PDF?** Editing a PDF can be done with software like Adobe Acrobat, which allows direct editing of text, images, and other elements within the PDF. Some free tools, like PDFescape or Smallpdf, also offer basic editing capabilities. **How do I convert a Iir Filter Verilog Code Sdocuments2 PDF to another file format?** There are multiple ways to convert a PDF to another format: Use online converters like Smallpdf, Zamzar, or Adobe Acrobats export feature to convert PDFs to formats like Word, Excel, JPEG, etc. Software like Adobe Acrobat, Microsoft Word, or other PDF editors may have options to export or save PDFs in different formats. **How do I password-protect a Iir Filter Verilog Code Sdocuments2 PDF?** Most PDF editing software allows you to add password protection. In Adobe Acrobat, for instance, you can go to "File" -> "Properties" -> "Security" to set a password to restrict access or editing capabilities. Are there any free alternatives to Adobe Acrobat for working with PDFs? Yes, there are many free alternatives for working with PDFs, such as: LibreOffice: Offers PDF editing features. PDFsam: Allows splitting, merging, and editing

PDFs. Foxit Reader: Provides basic PDF viewing and editing capabilities. How do I compress a PDF file? You can use online tools like Smallpdf, ILovePDF, or desktop software like Adobe Acrobat to compress PDF files without significant quality loss. Compression reduces the file size, making it easier to share and download. Can I fill out forms in a PDF file? Yes, most PDF viewers/editors like Adobe Acrobat, Preview (on Mac), or various online tools allow you to fill out forms in PDF files by selecting text fields and entering information. Are there any restrictions when working with PDFs? Some PDFs might have restrictions set by their creator, such as password protection, editing restrictions, or print restrictions. Breaking these restrictions might require specific software or tools, which may or may not be legal depending on the circumstances and local laws.

Find Iir Filter Verilog Code Sdocuments2 :

~~1970 1985 land rover range rover factory service repair workshop manual 1970 1971 1972 1973 1974 1975 1976 1977 1978
1979 1980 1981 1982 1983 1984 1985~~

101 questions answers on demon powers

2 stroke 1 cylinder engine assembly

123 magic effective discipline for children 2 12 parents

17 isuzu engine

1573928305 UUS43

0007431988 hotel and hospitality english collins english

~~14 3 holt physics diagram skills answers~~

1996 subaru impreza service manual

0521195705 UUS75

1177 bc the year civilization collapsed eric h cline

*1970 70 june car craft magazine volume 18 number 6 features 1970 all star drag team report z 28 lt 1 camaro drag test
supercar swan song*

0983189005 UUS63

14 principles of management henri fayol

~~101 solved mechanical engineering problems~~

Iir Filter Verilog Code Sdocuments2 :

user manuals memmert - May 12 2023

web about memmert in over 190 countries all over the world hundreds of thousands of memmert products have been permanently in use for decades user manuals this is to provide you with all necessary documents and software relating to our products and services compressor cooled incubators icp 400 800 peltier cooled incubators ipp

memmert bp 400 manuals manualslib - Dec 07 2022

web manuals and user guides for memmert bp 400 we have 1 memmert bp 400 manual available for free pdf download

service manual memmert bp 400 service manual 24 pages

manualslib makes it easy to find manuals online richmond - Apr 11 2023

web ue be 200 800 se 200 400 ule sle 400 8001 table of contents 1 congratulations on your choice of a memmert oven 2 2 the equipment of memmert cabinets series ue be se

memmert be 400 service manual pdf dallas lin - Aug 03 2022

web memmert be 400 service manualco memmert be 400 service manual when connecting a memmert oven to the electrical supply you have to observe any local regulations which apply e g in germany din vde 0100 with fi protection circuit this

memmert ule 400 manuals manualslib - Nov 06 2022

web we have 3 memmert ule 400 manuals available for free pdf download operating instructions manual service manual memmert ule 400 operating instructions manual 36 pages electronically controlled drying ovens electronically controlled sterilisers electronically controlled incubators

memmert product manuals data sheets incubators drying - Apr 30 2022

web memmert product manuals data sheets download all the memmert product information you need below find the operation manual and product brochure for your equipment if you need additional help please contact our support staff

incubator memmert service manual pdf mains electricity - Feb 09 2023

web memmert gmbh co kg po box 17 20 91107 schwabach germany Äußere rittersbacherstr 38 91126 schwabach germany phone 49 0 09122 925 0 fax 49 0 09122 14585 e mail sales memmert com internet memmert com customer service phone 49 0 09122 925 128 and 49 0 09122 925 126 e mail

memmert be 400 service manual airosporswear com - Feb 26 2022

web memmert be 400 service manual universal oven u memmert may 12th 2018 in over 190 countries all over the world hundreds of thousands of memmert products have been permanently in use for decades this is why memmert is one of the leading suppliers of temperature control appliances worldwide ratb regia autonoma de transport bucuresti

sle 400 800 fisher sci - Mar 10 2023

web 2 ue be 200 800 se 200 400 ule sle 400 800 the text of these operating instructions has been translated from the german if any part of the text is doubtful or the interpretation is unclear and also in case of errors the german original is to be considered as valid 1 congratulations on your choice of a memmert oven

[memmert be 400 service manual liululu](#) - Mar 30 2022

web memmert be 400 service manual the world hundreds of thousands of memmert products have been permanently in use for decades this is why memmert is one of the leading suppliers of temperature control appliances worldwide einfach auf das entsprechende gert klicken im onlineshop sind fr die meisten gerte ersatzteile gelistet diese teile knnen sie

service uis page 2 advantage biomedical services - Jan 08 2023

web repair instructions these instructions describe service and maintenance operations as well as steps for dismantling of basic excellent and perfect ovens unless otherwise described assembly takes place in the reverse order alterations in

service downloads memmert - Jul 14 2023

web sep 13 2023 service downloads service online form for messages to the memmert technical service 24 hours a day medical devices medical devices are subject to special statutory regulations here you will find all the necessary documents service medical devices share it via

memmert ue 200 service manual pdf download manualslib - Oct 05 2022

web view and download memmert ue 200 service manual online ue 200 laboratory equipment pdf manual download also for ue 800 be 200 be 800 se 200 se 400 ule 400 ule 800 sle 400 sle 800 up 400 up 800 bp

manual memmert oven ue be 200 800 ule 400 - Jun 01 2022

web may 19 2020 files for manual memmert oven ue be 200 800 ule 400 800 operating instructions name last modified size go to parent directory memmert oven ue be 200 800 ule 400 800 operating instructions pdf 19 may 2020

memmert be400 incubator gemini bv - Dec 27 2021

web memmert incubator type be 400 with natural convection technical specifications voltage 220 v 50 hz power 800 w current 3 6 a nominal temperature 70 ° c capacity 40 liters includes 2 shelves external dimensions w x d x h 55 5 x 51 5 x 67 5cm

user manual memmert - Jun 13 2023

web download memmert user manuals for all products in many languages about memmert the 5 most important from intuitive operation to personal after sales service are listed here m360 compressor cooled incubators icp 400 800 peltier cooled incubators ipp 200 500 and 800 storage cooled incubators ips 749

[memmert be 400 manuals manualslib](#) - Aug 15 2023

web memmert be 400 manuals manuals and user guides for memmert be 400 we have 1 memmert be 400 manual available

for free pdf download operating instructions manual memmert be 400 operating instructions manual 36 pages electronically controlled drying ovens electronically controlled sterilisers electronically controlled incubators

memmert be 400 service manual dev2 fxstat com - Jan 28 2022

web may 1st 2018 view and download memmert ue 200 operating instructions manual online electronically controlled drying ue 200 oven pdf manual download also for ue 800 se 400 laboratory instruments hot air oven exporter from ambala

[memmert vo400 manuals manualslib](#) - Sep 04 2022

web manuals and user guides for memmert vo400 we have 1 memmert vo400 manual available for free pdf download operating instructions manual

memmert be 400 service manual bk swordsswords com - Jul 02 2022

web memmert be 400 service manual download or readmemmert service and download area with online forms as well as brochures flyers user manuals and software about memmert in over 190 countries all over the world hundreds of thousands of memmert products have been permanently in use for

gennaro s pasta perfecto the essential collection of fresh and - Jul 14 2023

web aug 19 2019 split into chapters for dried fresh filled baked pasta and sauces gennaro s pasta perfecto includes recipes for lasagne four ways pasta salads classic minestrone soup homemade ravioli and perfect pesto these are dishes that can be quickly whipped up for the whole family to enjoy

gennaro s pasta perfecto the essential collection of fresh and - Mar 30 2022

web split into chapters for dried fresh filled baked pasta and sauces gennaro s pasta perfecto includes recipes for lasagne four ways pasta salads classic minestrone soup homemade ravioli and perfect pesto these are dishes that can be quickly whipped up for the whole family to enjoy

gennaro s pasta perfecto the essential collection of fresh and - Aug 03 2022

web the essential collection of fresh and dried pasta dishes contaldo gennaro 4 avg rating 21 ratings by goodreads hardcover isbn 10 1911624377 isbn 13 9781911624370 publisher pavilion 2019 view all copies of this isbn edition synopsis about this title this deserves to become a well thumbed kitchen classic the daily mail

gennaro s pasta perfecto the essential collection of - Jun 13 2023

web aug 19 2019 split into chapters for dried fresh filled baked pasta and sauces gennaro s pasta perfecto includes recipes for lasagne four ways pasta salads classic minestrone soup homemade ravioli and perfect pesto these are dishes that can be quickly whipped up for the whole family to enjoy

gennaro s pasta perfecto the essential collection of fresh and - Jun 01 2022

web split into chapters for dried fresh filled baked pasta and sauces gennaro s pasta perfecto includes recipes for lasagne

four ways pasta salads classic minestrone soup homemade ravioli and perfect pesto these are dishes that can be quickly whipped up for the whole family to enjoy

gennaro s pasta perfecto the essential collection of fresh and - Nov 06 2022

web gennaro s pasta perfecto the essential collection of fresh and dried pasta dishes contaldo gennaro amazon de bücher bücher kochen genießen kochen nach ländern neu 23 99 auf lager jetzt kaufen versand details zahlung sichere transaktion weitere informationen versand amazon verkäufer amazon rückgaben

gennaro s pasta perfecto by gennaro contaldo shakespeare - Dec 07 2022

web sep 5 2019 gennaro s pasta perfecto by gennaro contaldo shakespeare company gennaro s pasta perfecto the essential collection of fresh and dried pasta dishes contaldo gennaro 27 add to cart not available in store but available to

gennaro s pasta perfecto the essential collection of fresh and - Jan 08 2023

web oct 10 2019 split into chapters for dried fresh filled baked pasta and sauces gennaro s pasta perfecto includes recipes for lasagne four ways pasta salads classic minestrone soup homemade ravioli

gennaro s pasta perfecto the essential collection of fresh and - Jul 02 2022

web sep 15 2019 this new book from celebrated chef gennaro contaldo is all about pasta one of the most popular of all italian dishes bestselling author and much loved personality gennaro reveals all of his tips and tricks to making the best of the most versatile of dishes

gennaro s pasta perfecto the essential collection of fresh and - Oct 05 2022

web this new book from celebrated chef gennaro contaldo is all about pasta one of the most popular of all italian dishes bestselling author and much loved personality gennaro reveals all of his tips and tricks to making the best of the most versatile of dishes

pdf epub gennaro s pasta perfecto the essential collection - Feb 09 2023

web jun 2 2020 download gennaro s pasta perfecto the essential collection of fresh and dried pasta dishes by gennaro contaldo in pdf epub format complete free brief summary of book gennaro s pasta perfecto the essential collection of fresh and dried pasta dishes by gennaro contaldo

gennaro s pasta perfecto the essential collection of fresh and - Sep 04 2022

web the essential collection of fresh and dried pasta dishes gennaro s pasta perfecto by gennaro contaldo categories pasta baked main course italian ingredients linguine pasta basil pine nuts parmesan cheese pecorino cheese shrimp

gennaro s pasta perfecto the essential collection of fresh and - Jan 28 2022

web sep 5 2023 split into chapters for dried fresh filled baked pasta and sauces gennaro s pasta perfecto includes recipes for lasagne four ways pasta salads classic minestrone soup homemade ravioli and perfect pesto these are dishes that can be

quickly whipped up for the whole family to enjoy

loading interface goodreads - Dec 27 2021

web discover and share books you love on goodreads

gennaro s pasta perfecto the essential collection of fresh and - Mar 10 2023

web gennaro s pasta perfecto the essential collection of fresh and dried pasta dishes contaldo gennaro amazon com tr kitap

gennaro s pasta perfecto the essential collection of fresh and - Apr 11 2023

web sep 15 2019 gennaro s pasta perfecto the essential collection of fresh and dried pasta dishes gennaro s italian cooking

contaldo gennaro loftus david on amazon com free shipping on qualifying offers the essential collection of fresh and dried

pasta dishes gennaro s italian cooking

gennaro s pasta perfecto the essential collection of fresh and - Apr 30 2022

web gennaro s pasta perfecto the essential collection of fresh and dried pasta dishes gennaro contaldo interlink 30 176p isbn

978 1 62371 926 5 celebrates italy s regional cooking

gennaro s pasta perfecto the essential collection of fresh and - May 12 2023

web split into chapters for dried fresh filled baked pasta and sauces gennaro s pasta perfecto includes recipes for lasagne

four ways pasta salads classic minestrone soup homemade ravioli and perfect pesto these are dishes that can be quickly

whipped up for the whole family to enjoy

gennaro s pasta perfecto overdrive - Feb 26 2022

web oct 10 2019 split into chapters for dried fresh filled baked pasta and sauces gennaro s pasta perfecto includes recipes

for lasagne four ways pasta salads classic minestrone soup homemade ravioli and perfect pesto these are dishes that can be

quickly whipped up for the whole family to enjoy

gennaro s pasta perfecto the essential collection of fresh and - Aug 15 2023

web gennaro s pasta perfecto the essential collection of fresh and dried pasta dishes gennaro contaldo amazon com tr kitap

14 1 human heredity answer key answers for 2023 exams - Feb 09 2023

web ch 14 human heredity terms in this set 27 genome the full set of genetic information that an organism carries in it s dna

karyotype an picture of the chromosomes found in

section 14 1 human heredity - Apr 11 2023

web human heredity section 14 1 this section explains what scientists know about human chromosomes as well as the

inheritance of certain human traits and disorders it also

get section 14 1 human heredity answer key us - Nov 06 2022

web find the section 14 1 human heredity answer key you require open it using the online editor and start adjusting fill the

blank areas engaged parties names places of

section 14 1 human heredity worksheets lesson worksheets - Sep 23 2021

web showing 8 worksheets for section 14 1 human heredity worksheets are section 14 1 human heredity answers section 14 1 human heredity answer section

14 human heredity answer key answers for 2023 exams - Mar 10 2023

web it is your unconditionally own get older to perform reviewing habit among guides you could enjoy now is chapter 14 human heredity answer key below chapter 14 human

chapter 14 section 1 worksheets k12 workbook - Feb 26 2022

web worksheets are section 14 1 human heredity work answers chapter 14 section 1 the growth chapter 14 section 1 the growth of presidential power section 14 1 human

section 14 1 human heredity answer key pdf uniport edu - Jul 02 2022

web aug 16 2023 you may not be perplexed to enjoy all ebook collections section 14 1 human heredity answer key that we will totally offer it is not on the order of the costs its

chapter 14 section 1 human heredity answer key pdf - Dec 27 2021

web chapter 14 section 1 human heredity answer key 1 65 downloaded from godunderstands americanbible org on march 5 2023 by guest chapter 14 section 1

chapter 14 section 1 human heredity answer key planar - Oct 25 2021

web download free chapter 14 section 1 human heredity answer key providers health educators pharmacists nurses and others involved in administering vaccines the pink

section 14 1 human heredity worksheets k12 workbook - Sep 04 2022

web worksheets are section 14 1 human heredity answers section 14 1 human heredity answer section 14 1 human heredity section 14 1 human heredity section 14 1

section 14 1 human heredity flashcards quizlet - Jul 14 2023

web study with quizlet and memorize flashcards containing terms like 1 how do biologists make a karyotype 2 circle the letter of each sentence that is true about human

section 14 1 human heredity answer key pope francis pdf - Nov 25 2021

web you need currently this section 14 1 human heredity answer key as one of the most functional sellers here will extremely be in the course of the best options to review a

section 14 1 human heredity worksheets learny kids - Aug 03 2022

web section 14 1 human heredity worksheets total of 8 printable worksheets available for this concept worksheets are

section 14 1 human heredity answer

[get the free section 14 1 human heredity answers form pdffiller](#) - Dec 07 2022

web chapter 14 the human genome section 14 1 human heredity answers pdf free pdf download now source 2 chapter 14 the human genome section 14 1 human

section 14 1 human heredity answer key secure4 khronos - Mar 30 2022

web jun 6 2023 section 14 1 human heredity answer key but end up in toxic downloads this is likewise one of the variables by securing the digital documents of this section 14

chapter 14 human heredity 14 1 gradesaver - Jun 13 2023

web biology 2010 student edition answers to chapter 14 human heredity 14 1 human chromosomes 14 1 assessment page 397 1b including work step by step written by

[chapter 14 the human genome section 1 heredity answer key](#) - Jan 28 2022

web learn write spell test play match gravity created by jplakey taken from the study guide for chapter 14 terms in this set 74 karyotype information about the human

[chapter 14 section 1 worksheets kiddy math](#) - Apr 30 2022

web some of the worksheets for this concept are section 14 1 human heredity work answers chapter 14 section 1 the growth chapter 14 section 1 the growth of presidential power

[section 14 1 human heredity notes flashcards quizlet](#) - Aug 15 2023

web all the chromosomes except the sex chromosomes are autosomes why is there the chance that half of the zygotes will be female and half will be male half of the sperm is x half is

[section 14 1 human heredity worksheets kiddy math](#) - Oct 05 2022

web worksheet will open in a new window you can download or print using the browser document reader options 1 section 14 1 human heredity answers 2 section 14 1

section 14 1 human heredity worksheets teacher worksheets - May 12 2023

web some of the worksheets displayed are section 14 1 human heredity answers section 14 1 human heredity answer section 14 1 human heredity section 14 1 human

[notes 14 1 14 2 human heredity wlwv k12 or us](#) - Jun 01 2022

web notes 14 1 14 2 human heredity human genes the human genome is the complete set of genetic information it determines characteristics such as eye color and

section 14 1 human heredity answer key iibr org - Jan 08 2023

web download section 14 1 human heredity answer key the gene is the basic unit of heredity represented by a specific dna

segment that codes for a functional molecule