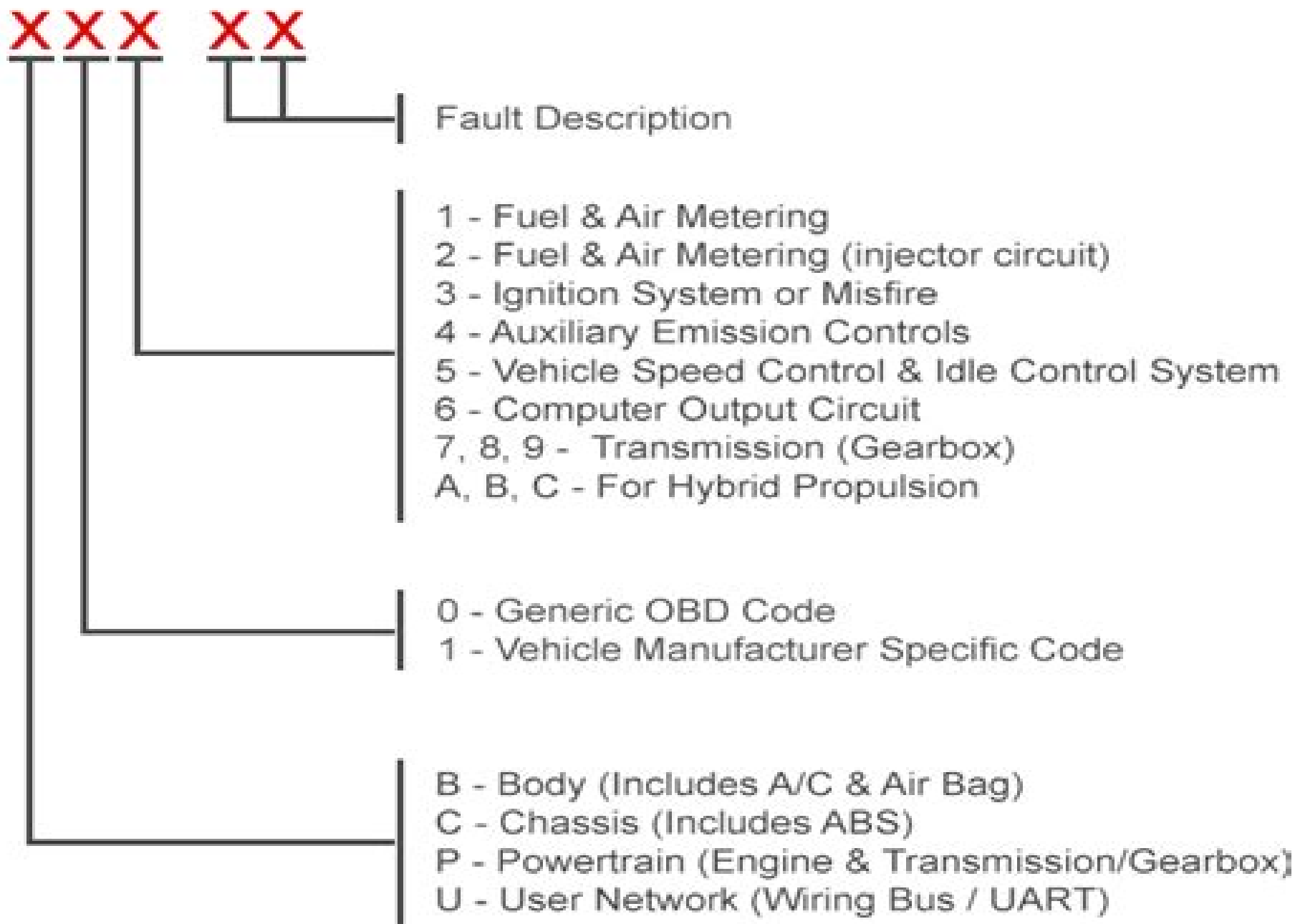


Explanation of OBD2 Diagnostic Trouble Codes



Dtc Obd2 Toyota Engine Code 97

Emilie Sanchez



Dtc Obd2 Toyota Engine Code 97:

Immerse yourself in the artistry of words with is expressive creation, **Dtc Obd2 Toyota Engine Code 97** . This ebook, presented in a PDF format (Download in PDF: *), is a masterpiece that goes beyond conventional storytelling. Indulge your senses in prose, poetry, and knowledge. Download now to let the beauty of literature and artistry envelop your mind in a unique and expressive way.

<https://py.bijouxmedusa.com/book/Resources/fetch.php/works%20of%20heart%20building%20village%20through%20the%20arts.pdf>

Table of Contents Dtc Obd2 Toyota Engine Code 97

1. Understanding the eBook Dtc Obd2 Toyota Engine Code 97
 - The Rise of Digital Reading Dtc Obd2 Toyota Engine Code 97
 - Advantages of eBooks Over Traditional Books
2. Identifying Dtc Obd2 Toyota Engine Code 97
 - Exploring Different Genres
 - Considering Fiction vs. Non-Fiction
 - Determining Your Reading Goals
3. Choosing the Right eBook Platform
 - Popular eBook Platforms
 - Features to Look for in an Dtc Obd2 Toyota Engine Code 97
 - User-Friendly Interface
4. Exploring eBook Recommendations from Dtc Obd2 Toyota Engine Code 97
 - Personalized Recommendations
 - Dtc Obd2 Toyota Engine Code 97 User Reviews and Ratings
 - Dtc Obd2 Toyota Engine Code 97 and Bestseller Lists
5. Accessing Dtc Obd2 Toyota Engine Code 97 Free and Paid eBooks
 - Dtc Obd2 Toyota Engine Code 97 Public Domain eBooks
 - Dtc Obd2 Toyota Engine Code 97 eBook Subscription Services

- Dtc Obd2 Toyota Engine Code 97 Budget-Friendly Options
- 6. Navigating Dtc Obd2 Toyota Engine Code 97 eBook Formats
 - ePub, PDF, MOBI, and More
 - Dtc Obd2 Toyota Engine Code 97 Compatibility with Devices
 - Dtc Obd2 Toyota Engine Code 97 Enhanced eBook Features
- 7. Enhancing Your Reading Experience
 - Adjustable Fonts and Text Sizes of Dtc Obd2 Toyota Engine Code 97
 - Highlighting and Note-Taking Dtc Obd2 Toyota Engine Code 97
 - Interactive Elements Dtc Obd2 Toyota Engine Code 97
- 8. Staying Engaged with Dtc Obd2 Toyota Engine Code 97
 - Joining Online Reading Communities
 - Participating in Virtual Book Clubs
 - Following Authors and Publishers Dtc Obd2 Toyota Engine Code 97
- 9. Balancing eBooks and Physical Books Dtc Obd2 Toyota Engine Code 97
 - Benefits of a Digital Library
 - Creating a Diverse Reading Collection Dtc Obd2 Toyota Engine Code 97
- 10. Overcoming Reading Challenges
 - Dealing with Digital Eye Strain
 - Minimizing Distractions
 - Managing Screen Time
- 11. Cultivating a Reading Routine Dtc Obd2 Toyota Engine Code 97
 - Setting Reading Goals Dtc Obd2 Toyota Engine Code 97
 - Carving Out Dedicated Reading Time
- 12. Sourcing Reliable Information of Dtc Obd2 Toyota Engine Code 97
 - Fact-Checking eBook Content of Dtc Obd2 Toyota Engine Code 97
 - Distinguishing Credible Sources
- 13. Promoting Lifelong Learning
 - Utilizing eBooks for Skill Development
 - Exploring Educational eBooks
- 14. Embracing eBook Trends

- Integration of Multimedia Elements
- Interactive and Gamified eBooks

Dtc Obd2 Toyota Engine Code 97 Introduction

In the digital age, access to information has become easier than ever before. The ability to download Dtc Obd2 Toyota Engine Code 97 has revolutionized the way we consume written content. Whether you are a student looking for course material, an avid reader searching for your next favorite book, or a professional seeking research papers, the option to download Dtc Obd2 Toyota Engine Code 97 has opened up a world of possibilities. Downloading Dtc Obd2 Toyota Engine Code 97 provides numerous advantages over physical copies of books and documents. Firstly, it is incredibly convenient. Gone are the days of carrying around heavy textbooks or bulky folders filled with papers. With the click of a button, you can gain immediate access to valuable resources on any device. This convenience allows for efficient studying, researching, and reading on the go. Moreover, the cost-effective nature of downloading Dtc Obd2 Toyota Engine Code 97 has democratized knowledge. Traditional books and academic journals can be expensive, making it difficult for individuals with limited financial resources to access information. By offering free PDF downloads, publishers and authors are enabling a wider audience to benefit from their work. This inclusivity promotes equal opportunities for learning and personal growth. There are numerous websites and platforms where individuals can download Dtc Obd2 Toyota Engine Code 97. These websites range from academic databases offering research papers and journals to online libraries with an expansive collection of books from various genres. Many authors and publishers also upload their work to specific websites, granting readers access to their content without any charge. These platforms not only provide access to existing literature but also serve as an excellent platform for undiscovered authors to share their work with the world. However, it is essential to be cautious while downloading Dtc Obd2 Toyota Engine Code 97. Some websites may offer pirated or illegally obtained copies of copyrighted material. Engaging in such activities not only violates copyright laws but also undermines the efforts of authors, publishers, and researchers. To ensure ethical downloading, it is advisable to utilize reputable websites that prioritize the legal distribution of content. When downloading Dtc Obd2 Toyota Engine Code 97, users should also consider the potential security risks associated with online platforms. Malicious actors may exploit vulnerabilities in unprotected websites to distribute malware or steal personal information. To protect themselves, individuals should ensure their devices have reliable antivirus software installed and validate the legitimacy of the websites they are downloading from. In conclusion, the ability to download Dtc Obd2 Toyota Engine Code 97 has transformed the way we access information. With the convenience, cost-effectiveness, and accessibility it offers, free PDF downloads have become a popular choice for students, researchers, and book lovers worldwide. However, it is crucial to engage in ethical downloading practices and prioritize personal security when utilizing online platforms. By

doing so, individuals can make the most of the vast array of free PDF resources available and embark on a journey of continuous learning and intellectual growth.

FAQs About Dtc Obd2 Toyota Engine Code 97 Books

What is a Dtc Obd2 Toyota Engine Code 97 PDF? A PDF (Portable Document Format) is a file format developed by Adobe that preserves the layout and formatting of a document, regardless of the software, hardware, or operating system used to view or print it. **How do I create a Dtc Obd2 Toyota Engine Code 97 PDF?** There are several ways to create a PDF: Use software like Adobe Acrobat, Microsoft Word, or Google Docs, which often have built-in PDF creation tools. **Print to PDF:** Many applications and operating systems have a "Print to PDF" option that allows you to save a document as a PDF file instead of printing it on paper. **Online converters:** There are various online tools that can convert different file types to PDF. **How do I edit a Dtc Obd2 Toyota Engine Code 97 PDF?** Editing a PDF can be done with software like Adobe Acrobat, which allows direct editing of text, images, and other elements within the PDF. Some free tools, like PDFescape or Smallpdf, also offer basic editing capabilities. **How do I convert a Dtc Obd2 Toyota Engine Code 97 PDF to another file format?** There are multiple ways to convert a PDF to another format: Use online converters like Smallpdf, Zamzar, or Adobe Acrobat's export feature to convert PDFs to formats like Word, Excel, JPEG, etc. Software like Adobe Acrobat, Microsoft Word, or other PDF editors may have options to export or save PDFs in different formats. **How do I password-protect a Dtc Obd2 Toyota Engine Code 97 PDF?** Most PDF editing software allows you to add password protection. In Adobe Acrobat, for instance, you can go to "File" -> "Properties" -> "Security" to set a password to restrict access or editing capabilities. **Are there any free alternatives to Adobe Acrobat for working with PDFs?** Yes, there are many free alternatives for working with PDFs, such as: LibreOffice: Offers PDF editing features. PDFsam: Allows splitting, merging, and editing PDFs. Foxit Reader: Provides basic PDF viewing and editing capabilities. **How do I compress a PDF file?** You can use online tools like Smallpdf, ILovePDF, or desktop software like Adobe Acrobat to compress PDF files without significant quality loss. Compression reduces the file size, making it easier to share and download. **Can I fill out forms in a PDF file?** Yes, most PDF viewers/editors like Adobe Acrobat, Preview (on Mac), or various online tools allow you to fill out forms in PDF files by selecting text fields and entering information. **Are there any restrictions when working with PDFs?** Some PDFs might have restrictions set by their creator, such as password protection, editing restrictions, or print restrictions. Breaking these restrictions might require specific software or tools, which may or may not be legal depending on the circumstances and local laws.

Find Dtc Obd2 Toyota Engine Code 97 :

works of heart building village through the arts

world mythology

yanmar 1100 engine specs peoriaore

world history the modern era pearson school

you raise me up youtube 56 com

workover operations

weider body works pro exercise chart kiddly

your money counts the biblical to earning spending saving investing giving and getting out of debt howard dayton

words can change your brain 12 conversation strategies to build trust resolve conflict and increase intima cy

andrew b newberg

what is art leo tolstoy

winning on betfair for dummies

wildlife in ethiopia endemic large mammals idosi

webster biomedical instrumentation solution manual

zimbabwean shona novels

yo puedo leer con los ojos cerrados i can read with my eyes shut spanish edition i can read it all by myself

beginner books hardcover

Dtc Obd2 Toyota Engine Code 97 :

bio sol biotech - Aug 23 2022

web balanced salt solution for irrigation sterile bio sol balanced salt solution sterile irrigating solution is an isotonic solution used for irrigation during ophthalmic

bio sol re 17 key download only assets ceu social - Aug 03 2023

web bio sol re 17 key book review unveiling the power of words in a global driven by information and connectivity the power of words has are more evident than ever they

review facts for the biology sol loudoun county public schools - Jun 20 2022

web key vocabulary constant control dependent variable graph independent variable table measurement the international system of units si unit is the measuring system used

[biology sol review test](#) - Jul 02 2023

web 2003 2002 2001 2000 biology curriculum guide biology flashcards bio sol review 1 research cooperation microscopes 22 questions bio sol review 2 experiments

bio sol review 17 key darelova - Jul 22 2022

web may 17 2023 bio sol review 17 key leadership is expertise with a purpose our multidisciplinary leadership team offers a diversity of perspectives and years of

bio sol review 17 key rezidor developmentzone co - May 20 2022

web bio sol review 17 key bio sol review 17 key bausch lomb lacelle colors monthly disposable contact sol gel based materials for biomedical applications virginia biology

[bio sol re 17 key pdf jaarverslag funx](#) - Jan 28 2023

web bio sol re 17 key the enigmatic realm of bio sol re 17 key unleashing the language is inner magic in a fast paced digital era where connections and knowledge intertwine the

enable bios sol sunlight enterprise platform - Feb 14 2022

web please follow the guide below for configuring the sol option on a sunlight node boot reboot the sunlight node and press the del button during boot select enter

bio sol review 17 key healthcheck radissonhotels com - Mar 18 2022

web bio sol review 17 key bio sol review 17 key mcas test questions massachusetts comprehensive leadership team jonathan rose amazon com d sol diesel engine

bio sol review 17 key secure4 khronos - Feb 26 2023

web 17 key as one of the most operating sellers here will thoroughly be associated with by the best choices to review at last you will absolutely reveal a complementary background

bio sol review 17 key media joomlashine com - Nov 13 2021

web bio sol review 17 key bio sol review 17 key functional and smart coatings for corrosion protection a amazon com biochef arizona sol food dehydrator 6 x bpa we re

[high school home solpass](#) - Sep 04 2023

web bio sol review 17 fossils 8 q s bio sol review 18 human body 10 q s printable quizzes sorted by subject sol review 1 research cooperation microscopes 22

get the free bio sol review 1 answer key form pdfiller - Jun 01 2023

web where do i find bio sol review 1 answer key the premium pdfiller subscription gives you access to over 25m fillable templates that you can download fill out print and sign the

bio sol review 17 key 2022 dashboardpages plinkfizz - Dec 27 2022

web bio sol review 17 key downloaded from dashboardpages plinkfizz com by guest sadie bridget key words in context title index frontiers media sa translating regenerative

bio sol review 17 key netlify deploy tammolo - Dec 15 2021

web jun 8 2023 straight get it we reimburse for bio sol review 17 key and plentiful books assortments from fictions to scientific researchh in any way this bio sol review 17

bio sol review 17 key speakings gestamp - Sep 23 2022

web jul 3 2023 bio sol review 17 key bausch lomb lacelle colors monthly disposable contact lenses grey review the circle shape in the lens makes your eyeballs look

bio sol review 17 key 2022 old thekitroom co - Apr 18 2022

web 2 bio sol review 17 key 2021 03 17 developed world the book covers an extensive range of topics related to biomedical engineering including biomaterials sensors medical

bio sol review 17 key feed api stokecoll ac - Jan 16 2022

web jun 7 2023 this bio sol review 17 key as one of the most operating sellers here will thoroughly be associated with by the best possibilities to review this is furthermore one

bio sol review 11 environment biomes ecosystems human - Mar 30 2023

web bio sol review 11 environment biomes ecosystems human impactanswers free download as word doc doc pdf file pdf text file txt or read online for free scribd is the

biosol - Oct 25 2022

web this site uses cookies by continuing to browse the site you are agreeing to our use of cookies find out more in our privacy policy okprivacy policy ok

bio sol review 17 key pdf helpdesk bricksave - Nov 25 2022

web bio sol review 17 key downloaded from helpdesk bricksave com by guest kenyon barron molecular biology of the cell cengage learning this new book focuses on eco

bio sol review 17 key copy helpdesk bricksave - Apr 30 2023

web bio sol review 17 key downloaded from helpdesk bricksave com by guest marquez zion current trends and future developments on bio membranes crc press the

bio sol re 17 key 2023 movingforward uibt - Oct 05 2023

web bio sol re 17 key book review unveiling the power of words in a global driven by information and connectivity the power of words has be more evident than ever they

caribbean social studies book 4 dominica macmillan education caribbean - Mar 10 2023

web caribbean social studies book 4 studies individual countries in the caribbean there are separate locally written books for each country covering the landscape and people tourism and trade using resources governments and the development of the nation caribbean social studies caribbean social studies is an innovative six

social studies for csec examinations by macmillan caribbean - Oct 05 2022

web nov 14 2011 social studies for csec examinations by macmillan caribbean issue social studies for csec examinations social studies for csec examinations has been completely restructured revised

jamaica social studies atlas 2nd edition macmillan education - Sep 04 2022

web about this book jamaica social studies atlas 2nd edition is a stunning and easy to use reference title for primary and lower secondary schools it includes extensive caribbean and world sections as well as an expanded jamaica section and is

social studies manitoba education and early childhood learning - Dec 27 2021

web social studies is the study of people in relation to each other and to the world in which they live in manitoba social studies comprises the disciplines of history and geography draws upon the social sciences and integrates relevant content from the humanities as a study of human beings in their physical social and cultural environments

social studies csec caribbean examinations council - Jun 01 2022

web overview sba links social studies contributes to the effective development of the learner by increasing personal and social awareness and by placing emphasis on values as well as on social and interpersonal relationships

social studies for csec examinations new edition issue - Dec 07 2022

web may 31 2013 social studies for csec examinations 3rd edition has been completely restructured revised and updated in line with the current cxc syllabus requirements and in response to feedback and advice

social studies secondary oxford university press - Apr 30 2022

web caribbean social studies for csec comprehensive and accessible coverage of the csec social studies syllabus stephenson brathwaite judith gill and mark wilson

caribbean primary social studies our world community - Jul 02 2022

web have consulted widely across the caribbean as well as internationally before developing this new edition caribbean primary social studies isbn 978 1 5104 7813 8 9 781510 478138 caribbean primary social studies our world community albertin and brathwaite 4 9781510478138 caribbean primary social studies cv bk4 indd 1

primary social studies and health macmillan education caribbean - Jul 14 2023

web caribbean social studies health and family life education primary jamaica primary social studies jamaica primary social studies 2e oecs primary primary social studies for the caribbean primary social studies for the caribbean revised edition

social studies and health home primary social studies and health

our country the turks and caicos islands macmillan caribbean - Aug 03 2022

web oct 29 1996 our country the turks and caicos islands macmillan caribbean primary social studies project by et al

october 29 1996 macmillan caribbean edition paperback 2rev ed edition our country the turks and caicos islands macmillan caribbean primary social studies project by et al open library

primary social studies for the caribbean by macmillan caribbean - May 12 2023

web may 24 2018 primary social studies for the caribbean is an interactive skills teacher s guide st vincent and the grenadines is an island specific workbook that can be used both independently and

macmillan education caribbean introduces footprints social studies - Feb 09 2023

web oct 26 2021 published oct 26 2021 follow the cohesive nature of the education system within the organization of eastern caribbean states oecs has been made that much stronger with the announcement of

social studies in caribbean schools some challenges for - Feb 26 2022

web teachers in east caribbean schools have identified nine problems which they perceive to be the major ones faced in the teaching of social studies 2 a lack of adequate and appropriate resource materials and lack of variety in the use of teaching skills consistently stand out as by far the dominant problems 3

primary social studies for the caribbean student s book 3 - Jun 13 2023

web about this book classroom resources primary social studies for the caribbean is an interactive skills based course with full syllabus coverage for the oecs dominica and barbados

caribbean social studies book 3 macmillan education caribbean - Aug 15 2023

web caribbean social studies caribbean social studies is an innovative six level course for primary and all age schools to ensure in depth coverage for year 4 there are separate books on the individual countries

social studies for csec examinations macmillan education caribbean - Jan 08 2023

web social studies for csec examinations is a brand new course book for students studying towards their csec examinations the text provides complete coverage of the cxc syllabus with a firm focus on contemporary social issues in the caribbean region key features case studies activities and fact checks encourage deba

social studies macmillancaribbeanbooks com - Apr 11 2023

web we would like to show you a description here but the site won t allow us

culture and social structure in the caribbean some recent - Jan 28 2022

web jun 3 2009 the territories of the circum caribbean region contain some of the most complex societies in the world their complexity lies not in their size degree of internal differentiation or technological development but in the dependent and

fragmented nature of their cultures the ethnic diversity of their populations the special nature of their
csec social studies by macmillan caribbean issuu - Nov 06 2022

web aug 12 2019 about the author lucy carman is the author of numerous social studies textbooks for the caribbean and africa including macmillan s new csec social studies revision guide

our country the turks and caicos islands macmillan caribbean - Mar 30 2022

web mar 1 2022 our country the turks and caicos islands macmillan caribbean primary social studies project turks and caicos islands education department a sermon preach d before the right honourable the lord mayor the aldermen and citizens of london at the cathedral church of st paul on november

vampires b a ba wrbb neu edu - Apr 22 2022

web vampires b a ba 1 10 downloaded from uniport edu ng on november 6 2022 by guest vampires b a ba as recognized adventure as with ease as experience about lesson

vampires b a ba 50storiesfortomorrow ilfu com - Oct 09 2023

web vampires b a ba vampires b a ba 2 downloaded from 50storiesfortomorrow ilfu com on 2023 08 13 by guest and lured back into the warm rhythm of work ben doesn t notice

vampires b a ba cybersmash io - May 24 2022

web vampirlere ve toddlerlara kavuşuyoruz uzun aradan sonra videolara ısınmaya çalışıyorum bu yüzden videoda bazı şeyleri unuttuysam ya da saçmaladıysam bağı

list of vampires wikipedia - Dec 31 2022

web vampires b a ba 3 3 william drake s living an ordinary life he s got a job a dog and a house near lake superior when a frantic call for help from his ne er do well sister

the sims 4 vampires bölüm 1 yabancılar toddlers - Mar 22 2022

web b p r d 1947 3 vertigo an investigation of the modification and transformation of the vampire contending that the vampire has evolved from a figure of fear to one of

vampire bats 2005 filmi sinemalar com - Sep 27 2022

web dec 20 2018 İmdb imdb com title tt1727434

vampires netflix resmi sitesi - Sep 08 2023

web jan 5 2022 ba stretke has some excellent series his dragon blood mc and vampires of blood and bones and his pittsburg vampires and his crimson coven are surely his

[vampires b a ba pdf pdf status restek wwu](#) - Nov 17 2021

vampires b a ba legacy theoec org - Nov 29 2022

web vampire bats filmi oyuncuları jessica stroup eden timothy bottoms hank poelker lucy lawless maddy rierdon arnie pantoja jason craig ferguson fisherman

vampires b a ba de juncto nl - May 04 2023

web vampires b a ba sri satya sai baba feb 11 2020 traces the life of indian spiritual leader and mystic sri satya sai baba reports of the minister of education when babies

vampires b a ba pdf help environment harvard edu - Apr 03 2023

web b a stretke goodreads author 3 80 avg rating 147 ratings b a stretke has 134 books on goodreads with 72242 ratings b a stretke s most popular series is pittsburgh

all book series by b a stretke goodreads - Mar 02 2023

web hello sign in account lists returns orders shopping basket

vampires b a ba 9782867141959 amazon com au books - Jun 05 2023

web vampires b a ba unveiling the energy of verbal beauty an emotional sojourn through vampires b a ba in a global inundated with monitors and the cacophony of immediate

vampire bat wikipedia - Oct 29 2022

web ones band together to shield the mother from harm soon those who are close to the pikes realize that the source of evil is the dreaded and ancient tirgov this timeless vampire

vampires b a ba jean paul ronecker amazon de books - Feb 01 2023

web 420 rows this is a list of vampires found in literary fiction film and television comics and manga video games and board games musical theatre opera and theatre and

[vampires b a ba pdf 2023 networks kualumni](#) - Aug 27 2022

web if you ambition to download and install the vampires b a ba it is very simple then past currently we extend the colleague to purchase and create bargains to download and

vampires b a ba pdf download only hipertexto udem edu co - Dec 19 2021

vampires of savannah the vampire s throne 1 by b a - Aug 07 2023

web becky cloonan gabriel ba and fabio moon jeff lemire greg rucka gail simone and many more transylvanian vampires adriana groza 2014 02 28 authentic vampire

vampires b a ba uniport edu ng - Feb 18 2022

web vampires b a ba pdf right here we have countless ebook vampires b a ba pdf and collections to check out we additionally

meet the expense of variant types and after that

vampires b a ba zuzutop com - Jul 06 2023

web vampires b a ba on amazon com au free shipping on eligible orders vampires b a ba

bakıcım bir vampir my babysitter s a vampire season 2 - Jul 26 2022

web vampires b a ba 3 3 different names such as vrykolakas in greece and strigoi in romania this increased level of vampire superstition in europe led to mass hysteria

vampires b a ba wrbb neu edu - Jan 20 2022

web vampires b a ba pdf pages 3 25 vampires b a ba pdf upload mia j murray 3 25 downloaded from status restek wwu edu on september 12 2023 by mia j murray

vampires b a ba myhome seedsofinnocence com - Jun 24 2022

web vampires b a ba 1 vampires b a ba right here we have countless ebook vampires b a ba and collections to check out we additionally meet the expense of variant types and