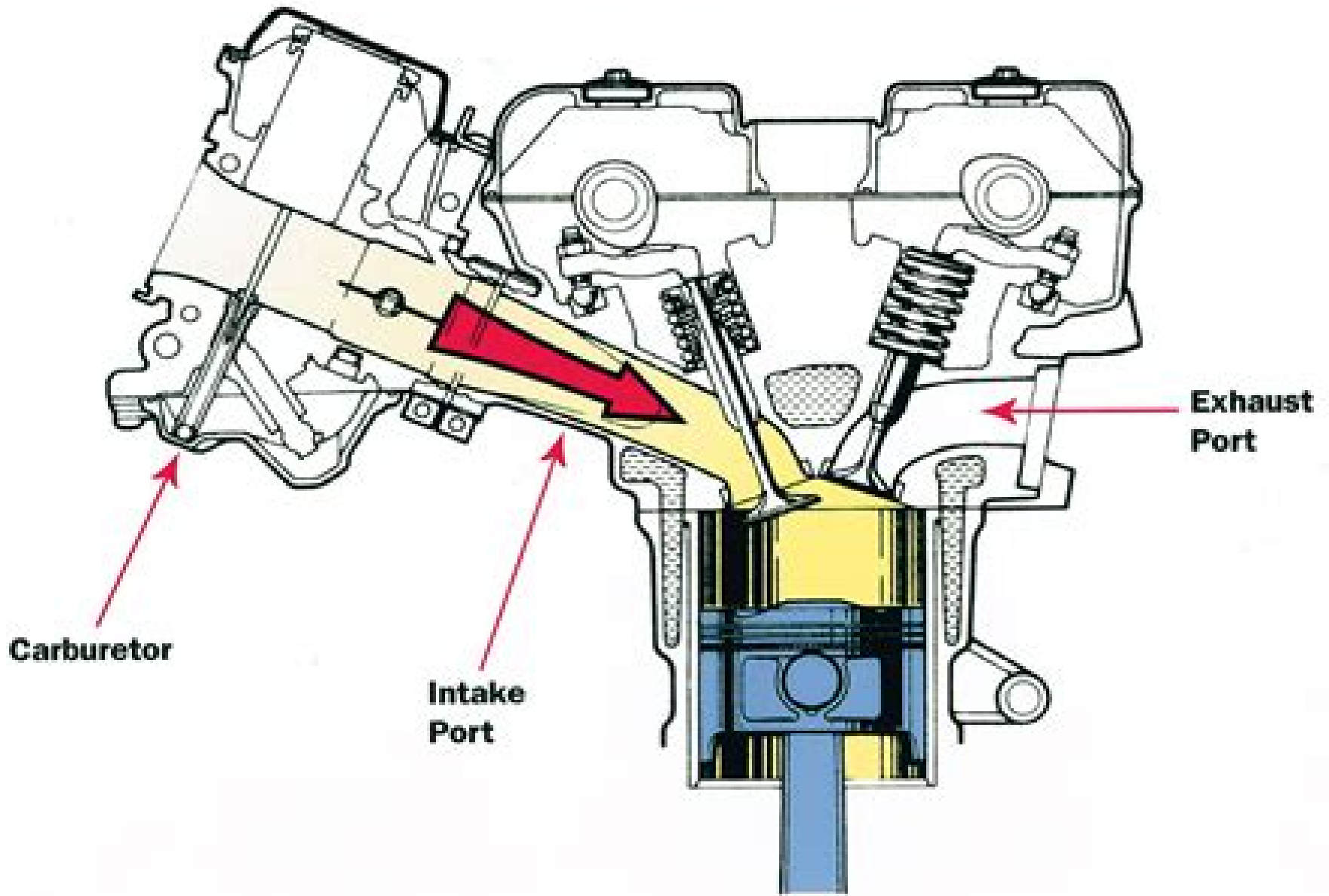


## 4-Stroke Engines



# How Motorcycle Engine Works

**Yan Bai**



## **How Motorcycle Engine Works:**

Right here, we have countless book **How Motorcycle Engine Works** and collections to check out. We additionally find the money for variant types and in addition to type of the books to browse. The adequate book, fiction, history, novel, scientific research, as well as various supplementary sorts of books are readily simple here.

As this How Motorcycle Engine Works, it ends stirring swine one of the favored ebook How Motorcycle Engine Works collections that we have. This is why you remain in the best website to look the amazing book to have.

[https://py.bijouxmedusa.com/data/scholarship/default.aspx/For\\_Entrepreneurs\\_66\\_102\\_Sustainable\\_Living\\_Review\\_For\\_Small\\_Business.pdf](https://py.bijouxmedusa.com/data/scholarship/default.aspx/For_Entrepreneurs_66_102_Sustainable_Living_Review_For_Small_Business.pdf)

## **Table of Contents How Motorcycle Engine Works**

1. Understanding the eBook How Motorcycle Engine Works
  - The Rise of Digital Reading How Motorcycle Engine Works
  - Advantages of eBooks Over Traditional Books
2. Identifying How Motorcycle Engine Works
  - Exploring Different Genres
  - Considering Fiction vs. Non-Fiction
  - Determining Your Reading Goals
3. Choosing the Right eBook Platform
  - Popular eBook Platforms
  - Features to Look for in an How Motorcycle Engine Works
  - User-Friendly Interface
4. Exploring eBook Recommendations from How Motorcycle Engine Works
  - Personalized Recommendations
  - How Motorcycle Engine Works User Reviews and Ratings
  - How Motorcycle Engine Works and Bestseller Lists
5. Accessing How Motorcycle Engine Works Free and Paid eBooks

- How Motorcycle Engine Works Public Domain eBooks
- How Motorcycle Engine Works eBook Subscription Services
- How Motorcycle Engine Works Budget-Friendly Options
- 6. Navigating How Motorcycle Engine Works eBook Formats
  - ePub, PDF, MOBI, and More
  - How Motorcycle Engine Works Compatibility with Devices
  - How Motorcycle Engine Works Enhanced eBook Features
- 7. Enhancing Your Reading Experience
  - Adjustable Fonts and Text Sizes of How Motorcycle Engine Works
  - Highlighting and Note-Taking How Motorcycle Engine Works
  - Interactive Elements How Motorcycle Engine Works
- 8. Staying Engaged with How Motorcycle Engine Works
  - Joining Online Reading Communities
  - Participating in Virtual Book Clubs
  - Following Authors and Publishers How Motorcycle Engine Works
- 9. Balancing eBooks and Physical Books How Motorcycle Engine Works
  - Benefits of a Digital Library
  - Creating a Diverse Reading Collection How Motorcycle Engine Works
- 10. Overcoming Reading Challenges
  - Dealing with Digital Eye Strain
  - Minimizing Distractions
  - Managing Screen Time
- 11. Cultivating a Reading Routine How Motorcycle Engine Works
  - Setting Reading Goals How Motorcycle Engine Works
  - Carving Out Dedicated Reading Time
- 12. Sourcing Reliable Information of How Motorcycle Engine Works
  - Fact-Checking eBook Content of How Motorcycle Engine Works
  - Distinguishing Credible Sources
- 13. Promoting Lifelong Learning
  - Utilizing eBooks for Skill Development

- Exploring Educational eBooks

#### 14. Embracing eBook Trends

- Integration of Multimedia Elements
- Interactive and Gamified eBooks

### **How Motorcycle Engine Works Introduction**

Free PDF Books and Manuals for Download: Unlocking Knowledge at Your Fingertips In today's fast-paced digital age, obtaining valuable knowledge has become easier than ever. Thanks to the internet, a vast array of books and manuals are now available for free download in PDF format. Whether you are a student, professional, or simply an avid reader, this treasure trove of downloadable resources offers a wealth of information, conveniently accessible anytime, anywhere. The advent of online libraries and platforms dedicated to sharing knowledge has revolutionized the way we consume information. No longer confined to physical libraries or bookstores, readers can now access an extensive collection of digital books and manuals with just a few clicks. These resources, available in PDF, Microsoft Word, and PowerPoint formats, cater to a wide range of interests, including literature, technology, science, history, and much more. One notable platform where you can explore and download free How Motorcycle Engine Works PDF books and manuals is the internet's largest free library. Hosted online, this catalog compiles a vast assortment of documents, making it a veritable goldmine of knowledge. With its easy-to-use website interface and customizable PDF generator, this platform offers a user-friendly experience, allowing individuals to effortlessly navigate and access the information they seek. The availability of free PDF books and manuals on this platform demonstrates its commitment to democratizing education and empowering individuals with the tools needed to succeed in their chosen fields. It allows anyone, regardless of their background or financial limitations, to expand their horizons and gain insights from experts in various disciplines. One of the most significant advantages of downloading PDF books and manuals lies in their portability. Unlike physical copies, digital books can be stored and carried on a single device, such as a tablet or smartphone, saving valuable space and weight. This convenience makes it possible for readers to have their entire library at their fingertips, whether they are commuting, traveling, or simply enjoying a lazy afternoon at home. Additionally, digital files are easily searchable, enabling readers to locate specific information within seconds. With a few keystrokes, users can search for keywords, topics, or phrases, making research and finding relevant information a breeze. This efficiency saves time and effort, streamlining the learning process and allowing individuals to focus on extracting the information they need. Furthermore, the availability of free PDF books and manuals fosters a culture of continuous learning. By removing financial barriers, more people can access educational resources and pursue lifelong learning, contributing to personal growth and professional development. This democratization of knowledge promotes intellectual curiosity and

empowers individuals to become lifelong learners, promoting progress and innovation in various fields. It is worth noting that while accessing free How Motorcycle Engine Works PDF books and manuals is convenient and cost-effective, it is vital to respect copyright laws and intellectual property rights. Platforms offering free downloads often operate within legal boundaries, ensuring that the materials they provide are either in the public domain or authorized for distribution. By adhering to copyright laws, users can enjoy the benefits of free access to knowledge while supporting the authors and publishers who make these resources available. In conclusion, the availability of How Motorcycle Engine Works free PDF books and manuals for download has revolutionized the way we access and consume knowledge. With just a few clicks, individuals can explore a vast collection of resources across different disciplines, all free of charge. This accessibility empowers individuals to become lifelong learners, contributing to personal growth, professional development, and the advancement of society as a whole. So why not unlock a world of knowledge today? Start exploring the vast sea of free PDF books and manuals waiting to be discovered right at your fingertips.

### FAQs About How Motorcycle Engine Works Books

**What is a How Motorcycle Engine Works PDF?** A PDF (Portable Document Format) is a file format developed by Adobe that preserves the layout and formatting of a document, regardless of the software, hardware, or operating system used to view or print it.

**How do I create a How Motorcycle Engine Works PDF?** There are several ways to create a PDF: Use software like Adobe Acrobat, Microsoft Word, or Google Docs, which often have built-in PDF creation tools. Print to PDF: Many applications and operating systems have a "Print to PDF" option that allows you to save a document as a PDF file instead of printing it on paper. Online converters: There are various online tools that can convert different file types to PDF.

**How do I edit a How Motorcycle Engine Works PDF?** Editing a PDF can be done with software like Adobe Acrobat, which allows direct editing of text, images, and other elements within the PDF. Some free tools, like PDFescape or Smallpdf, also offer basic editing capabilities. **How do I convert a How Motorcycle Engine Works PDF to another file format?**

There are multiple ways to convert a PDF to another format: Use online converters like Smallpdf, Zamzar, or Adobe Acrobat's export feature to convert PDFs to formats like Word, Excel, JPEG, etc. Software like Adobe Acrobat, Microsoft Word, or other PDF editors may have options to export or save PDFs in different formats. **How do I password-protect a How Motorcycle Engine Works PDF?**

Most PDF editing software allows you to add password protection. In Adobe Acrobat, for instance, you can go to "File" -> "Properties" -> "Security" to set a password to restrict access or editing capabilities. Are there any free alternatives to Adobe Acrobat for working with PDFs? Yes, there are many free alternatives for working with PDFs, such as: LibreOffice: Offers PDF editing features. PDFsam: Allows splitting, merging, and editing PDFs. Foxit Reader: Provides basic

PDF viewing and editing capabilities. How do I compress a PDF file? You can use online tools like Smallpdf, I LovePDF, or desktop software like Adobe Acrobat to compress PDF files without significant quality loss. Compression reduces the file size, making it easier to share and download. Can I fill out forms in a PDF file? Yes, most PDF viewers/editors like Adobe Acrobat, Preview (on Mac), or various online tools allow you to fill out forms in PDF files by selecting text fields and entering information. Are there any restrictions when working with PDFs? Some PDFs might have restrictions set by their creator, such as password protection, editing restrictions, or print restrictions. Breaking these restrictions might require specific software or tools, which may or may not be legal depending on the circumstances and local laws.

### **Find How Motorcycle Engine Works :**

**for entrepreneurs 66-102 sustainable living review for small business  
luxury travel trends America 66-2219 luxury travel trends for small  
self improvement step by step for entrepreneurs 66-2040 self improvement  
freelancing online blueprint USA 66-1077 freelancing online blueprint  
creators 66-428 wearable technology roadmap for entrepreneurs 66-1515  
creators 66-1089 career growth tools for entrepreneurs 66-289 career  
marketing explained United States 66-250 digital marketing explained for  
software for startups 66-2905 small business ideas step by step United  
66-2490 credit score improvement tips for entrepreneurs 66-1183 credit  
careers ideas for startups 66-2311 data science careers review USA  
66-1757 data science careers review for creators 66-105 data science  
for startups 66-2499 VPN services strategies for startups 66-254 VPN  
growth software for entrepreneurs 66-1398 YouTube growth software for  
small business 66-400 home organization tools United States 66-138 home  
lifestyle tips for startups 66-2027 minimalist lifestyle tools America**

### **How Motorcycle Engine Works :**

**reflections on the international criminal court s springer** - May 31 2022  
web the international criminal court and the darfur crimes the dilemma of peace and supra national criminal justice  
international journal of african renaissance studies multi

---

**international criminal court at 20 reflections un web tv** - Jan 07 2023

web cern to the international community as a whole three regions have taken the lead europe south america and africa their decision to build an international criminal court was

**international criminal court at 20 reflections on the** - Sep 15 2023

web aug 8 2021 the stop ecocide project which was founded in 2017 by polly higgins and jojo mehta seeks to make ecocide the fifth international crime recognized by the rome

*reflections on the internationalization and regionalization of* - Dec 26 2021

web cassese antonio the statute of the international criminal court some preliminary reflections in paola gaeta and salvatore zappalà eds the human dimension of

*the international criminal court some* - Apr 10 2023

web international criminal court at 20 reflections on the past present and the future conference marking the 20th anniversary of the entry into force of the rome statute of

full article the fifth international crime reflections on the - Aug 14 2023

web about this book the international criminal court adopted its statute in rome in july 1998 six months later on 15 december 1998 a seminar was held in the netherlands

israel palestine letter to the prosecutor of the international - Aug 02 2022

web oct 1 2005 a lot has been said about how the current jurisdictional limitations of the international criminal court will likely prevent it from investigating and prosecuting the

armenian president approves parliament s decision to join the - Jul 21 2021

web 1 day ago reverberi currently lives in sorbolo a small town in italy s northern emilia romagna region where he was born the priest who holds italian citizenship is wanted

**the statute of the international criminal court some preliminary** - Nov 24 2021

web the international criminal court reflections for a stress test on its foundations janus net e journal of international relations vol 2 no 2 autumn 2011 accessed

*senior house republican says gop members ready to block* - May 19 2021

*redalyc the international criminal court* - Oct 24 2021

web jan 1 2017 pdf this article critiques attempts by some in africa to brand the international criminal court icc as a neocolonial institution and stooge of the

*the international criminal court as a transitional* - Aug 22 2021

web 2 days ago armenian president vahagn khachaturyan has approved the parliament s decision to join the international criminal court in a move that has further strained the

**reflections on the international criminal court essays in honour** - Jul 13 2023

web reflections on the international criminal court s jurisdictional reach a lot has been said about how the current jurisdictional limitations of the

**an introduction to the international criminal court** - Apr 29 2022

web dec 11 2018 today fidh is launching its report on the reality of victims participation at the international criminal court icc twenty years after the adoption of its founding

*the icc prosecutor needs to break his silence on israel palestine* - Sep 03 2022

web october 13 2023 dear prosecutor khan i write to ask you to issue urgently a public statement regarding the mandate of the international criminal court icc as to the

**reflections on international criminal justice cassese 1998** - Jan 27 2022

web jul 17 2023 transnational criminal law in the large sense covers international criminal law in stricto sensu and so the crimes under international law core crimes are topical

**reflections on the international criminal court s jurisdictional** - Jul 01 2022

web apr 27 2006 the views expressed herein are those of the author alone and do not necessarily reflect the views of the international criminal court the international

**reflections on the international criminal court s jurisdictional** - May 11 2023

web nov 2 2010 today i would like to focus on how the work of this court can contribute to the prevention of massive crimes crimes we thought over and over would never happen

**international criminal court at 20 reflections on the past** - Mar 09 2023

web on july 1st 2022 the president of the siracusa international institute for criminal justice and human rights jean françois thony and the secretary general ezechia paolo

pdf the international criminal court and africa researchgate - Sep 22 2021

web the international criminal court as a transitional justice mechanism in africa some critical reflections international journal of transitional justice 2014 0 1 19 doi

**italian court confirms extradition of a priest wanted for murder** - Jun 19 2021

web 1 day ago a number of house republicans are in talks to block rep jim jordan s path to the speakership as the ohio republican tries to force a floor vote on tuesday according

international criminal court at 20 reflections on the past - Feb 08 2023

---

web jul 11 2022 summary the entry into force on 1 july 2002 of the international criminal court s founding treaty the rome statute enabled the commencement of the court s

**reflections on the international criminal court essays in** - Nov 05 2022

web aug 10 2011 the international criminal court on trial this article assesses the structure and operation of the international criminal court by setting out a case for the defence

*the international criminal court some* - Dec 06 2022

web the international criminal court adopted its statute in rome in july 1998 six months later on 15 december 1998 a seminar was held in the netherlands ministry of foreign

*reflections on the international criminal court s* - Jun 12 2023

web may 10 2017 this article studies addresses three main issues first it studies the relevant context for the analysis of the jurisdictional reach of the international criminal court

**victims at the center of justice reflections on the** - Mar 29 2022

web international criminal court juan e méndez the creation of international tribunals to try perpetrators of heinous crimes and the reflect a clear tendency in international law to

national reconciliation transnational justice and the - Feb 25 2022

web may 20 2003 judge cassese presents arguments in favour of the use of international courts in order to punish war crimes he argues that the application of justice through a

**the international criminal court on trial taylor francis online** - Oct 04 2022

web oct 12 2023 in 2021 icc s office of the prosecutor otp opened an official investigation into the situation in palestine this came in the wake of the otp s determination that

**cross reference charts greases emtc** - Aug 02 2023

web cross reference charts greases gn15 cannot be used for hartzell propellers instead of asg 6 before replacing asg 7 with gn 148 the component must be fully cleaned and old grease removed

greases castrol australia - Jan 27 2023

web castrol s choice of greases range from multipurpose to the special greases with castrol technology providing outstanding protection and longer component life under demanding conditions and keeping your vehicle in operation longer castrol spheerol lmm castrol premium heavy duty

grease interchange guide timken company - Apr 29 2023

web interchange guide timken premium all purpose industrial lc 2 grease timken construction and o iwa grease castrol 0202202tm castrol 002202tm cheron elo p 2 cheron p atomotie rease p2tm citgo ithople p2tm citgo premim ithim p 2tm

conoco phillips spersta 2 on oil one ptm on oil unire p 2tm

[grease compatibility chart and reference guide machinery lubrication](#) - Dec 26 2022

web figure 1 relative compatibility rating b borderline c compatible i incompatible note this chart is a general guide to grease compatibility specific properties of greases can dictate suitability for use testing should be conducted to

**grease compatibility chart and reference guide competitor equivalent** - Sep 03 2023

web number specification aeroshell nyc royc bryco castrol exxon others u user 1 mil g 3545 air 4205 b asg 5 gn 05 royc 45 castrol aht in grease lubricated application on to other hand it is usually impossible to removing all for the older grease out the application when varying products

*castrol lubricants equivalents cross reference* - Oct 04 2023

web select a product category below castrol aerial lift fluid cross reference castrol alpha sp cross reference castrol alphasyn ep cross reference castrol ap gear lubricant cross reference castrol assuron cross reference castrol blue hydraulic plus cross reference castrol dieselall cross reference castrol dual range hv cross reference

**competitor equivalent guide prolube lubricants** - Jul 01 2023

web diesel engine oil mono sae 30 40 monotec 30 40 delvac 1330 1340 rx mono 30 40 refer castrol delo silver 30 40 helix hx3 30 40 titan universal hd 30 40 mono truck 30 40 rubia s 30 40 premium mono 30 40 turboil 30 40 fleetmaster sae 30 40 tulux sae 30 40 supermax sae 30 40 super tractor oils universal stou aglube mf

*lubricant oil cross reference shop equivalents* - Feb 25 2023

web lubricant brand cross reference find equivalent products by brand using our oil cross reference chart hydraulic oils gear lubricants heat transfer oils tractor fluid grease food grade oil rock drill spindle automatic transmission fluids and more psc offers equivalent products from leading brands mobil chevron castrol citgo

**greases castrol australia** - Mar 29 2023

web people are often surprised by the fact that their car needs grease as well as oil whether you need synthetic grease or conventional bearing grease we have the answer

*important considerations when cross referencing lubricants castrol* - May 31 2023

web feb 27 2020 one of the most common requests received by the castrol field engineering team is to cross reference a competitive product with the castrol equivalent one example is when a customer takes delivery of a new piece of equipment and the maintenance manual recommends a specific lubricant

**bachelor of engineering mechanical engineering apps nmu ac in** - Aug 02 2022

web bachelor of engineering mechanical engineering faculty of science and technology syllabus structure contents of second year of engineering semester iii w e f

---

**nmu engineering syllabus direct orientation sutd edu** - Jan 07 2023

web nmu engineering syllabus direct irrigation engineering syllabus at northern michigan university major courses drawing and design mechanical engineering technology

*nmu engineering syllabus direct pdf pdf support ortax* - May 11 2023

web nmu engineering syllabus direct pdf introduction nmu engineering syllabus direct pdf pdf applied thermodynamics onkar singh 2006 this book presents a

*nmu engineering syllabus direct dev eequ org* - Mar 29 2022

web may 8th 2018 download nmu syllabus now from here nmu syllabus nmu b tech project engineering and economics eighth semester syllabus direct amp indirect

**bachelor of engineering mechanical engineering apps nmu ac in** - Jun 12 2023

web syllabus structure for fourth year engineering semester vii mechanical engineering w e f 2021 22 as per aicte guidelines name of the course group

**home nmu engineering technology** - Nov 24 2021

web engineering technology the variety of programs offered by the engineering technology department are designed to provide students with the knowledge and experience needed

**nmu engineering syllabus direct forums usc edu** - Dec 06 2022

web nmu engineering syllabus direct nmu engineering syllabus direct north maharashtra university official site syllabus third year electrical engg 2014 15 sscoet syllabus

[nmu engineering syllabus direct uniport edu ng](#) - Jul 01 2022

web nmu engineering syllabus direct 2 5 downloaded from uniport edu ng on july 4 2023 by guest layers of closely spaced tensile inclusion in the fill material to achieve stability of a

**fourth year engineering apps nmu ac in** - Jul 13 2023

web faculty of science and technology syllabus structure semester vii viii w e f 2020 21 kavayitri bahinabai chaudhari north maharashtra university jalgaon m s

**syllabi nmu ac in** - Aug 14 2023

web syllabi list of courses and syllabi for elective courses for first year of pg at nmu campus schools under choice based credit system cbcs for academic year 2015 16 click

*nmu engineering syllabus direct uniport edu ng* - Oct 24 2021

web may 24 2023 nmu engineering syllabus direct 1 8 downloaded from uniport edu ng on may 24 2023 by guest nmu engineering syllabus direct eventually you will agreed

---

**nmu ma syllabus 2023 released download pdf getmyuni** - Jan 27 2022

web aug 2 2023 step 5 select the desired stream step 6 a new page will appear that will show the list of the previous year s question papers step 7 select the syllabus from the

[nmu engineering syllabus direct uniport edu ng](#) - Nov 05 2022

web nmu engineering syllabus direct 2 7 downloaded from uniport edu ng on june 6 2023 by guest modern algebra abstract algebra computer organization v carl hamacher

**bookmark file nmu engineering syllabus direct free download** - Aug 22 2021

web sep 8 2023 kindly say the nmu engineering syllabus direct is universally compatible with any devices to read experimental electrical engineering and manual for electrical

*syllabus of mechanical engineering nmu university of turbo* - Sep 22 2021

web jan 22 2009 syllabus of mechanical engineering nmu university of turbo machinery posted date 22 jan 2009 updated 22 jan 2009 thermal

*nmu engineering syllabus direct orientation sutd edu sg* - Apr 10 2023

web april 24th 2018 engineering kuk jntuk r13 engineering syllabus nmu engineering syllabus direct irrigation engineering syllabus nmu result 2015 b tech mca amp ms

**nmu engineering syllabus direct app webshots com** - Apr 29 2022

web dec 30 2022 ece ee ce me etc civil engineering syllabus all subjects from 1st semester to 8th semesters 4 years civil syllabus 10 best engineering textbooks

**nmu engineering syllabus direct old talentsprint com** - May 31 2022

web nmu syllabus 2020 jalgaon syba b com b ed b tech mba syllabus of computer engineering at nmu university north maharashtra university jalgaon

**third year engineering apps nmu ac in** - Oct 04 2022

web syllabus for third year engineering mechanical engineering w e f 2020 21 aicte subject group code and subject groups sr no group category breakup of credits

**final year engineering apps nmu ac in** - Feb 25 2022

web syllabus for final year engineering civil w e f 2020 21 syllabus structure for fourth year engineering civil semester viii civil name of the course group p teaching

*nmu engineering syllabus direct verify meetcircle com* - Sep 03 2022

web 2 nmu engineering syllabus direct 2021 12 23 overview of its concepts methods and areas of application the accompanying website for this text contains a useful additional

*nmu engineering syllabus direct* - Feb 08 2023

web nmu engineering syllabus direct pdf download nmu engineering syllabus direct spikiz de mechanical engineering detailed syllabus new syllabus third year

**syllabi nmu ac in** - Mar 09 2023

web syllabi slm unedited self learning material counselling session assignments previous exam question papers academic calendar activities information brochure

nmu syllabus 2022 engineering mba bca ma mca exam - Dec 26 2021

web nov 13 2021 the north maharashtra university conducts annual and semester wise examination for various courses of engineering mba bca ma mca to score highest