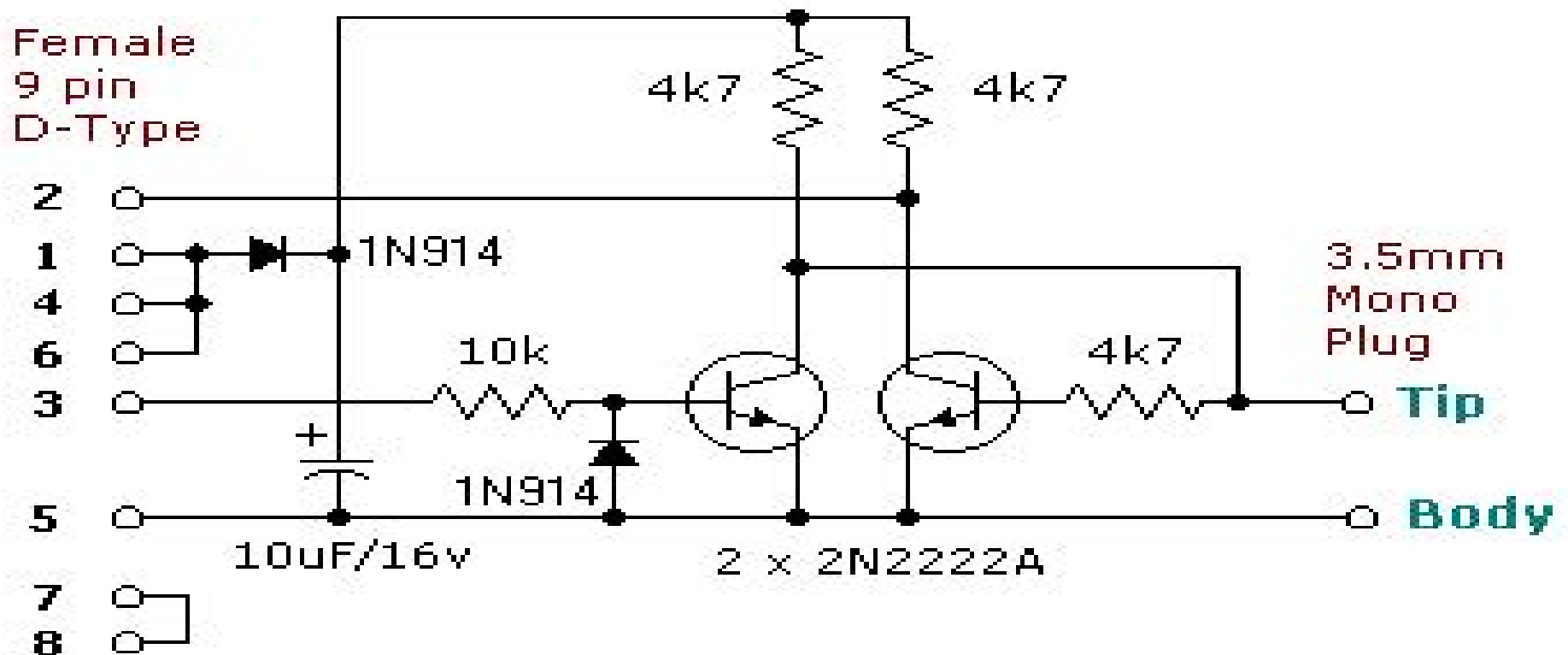
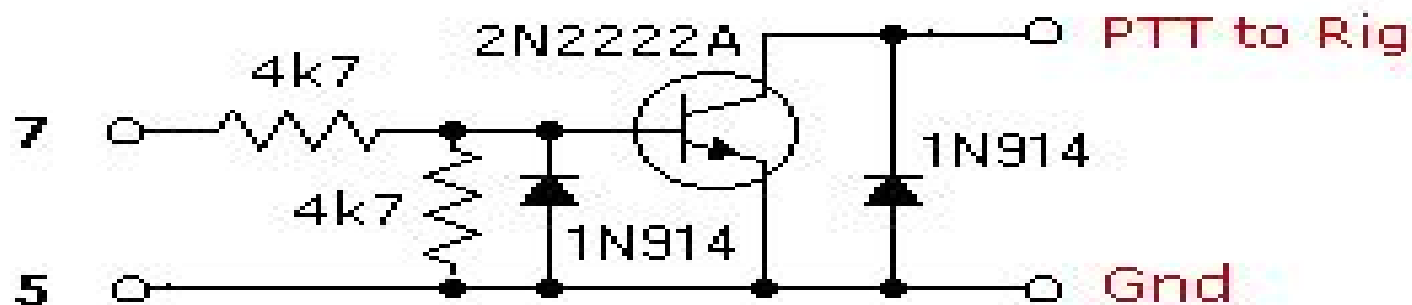


Icom CI-V Interface



Additional Circuitry to provide PTT from RTS



Icom Ci V Interface Guide Xggcomms

M Lipman



Icom Ci V Interface Guide Xggcomms:

Thank you utterly much for downloading **Icom Ci V Interface Guide Xggcomms**. Maybe you have knowledge that, people have seen numerous times for their favorite books once this Icom Ci V Interface Guide Xggcomms, but stop taking place in harmful downloads.

Rather than enjoying a fine PDF when a mug of coffee in the afternoon, instead they juggled when some harmful virus inside their computer. **Icom Ci V Interface Guide Xggcomms** is available in our digital library an online admission to it is set as public suitably you can download it instantly. Our digital library saves in complex countries, allowing you to get the most less latency times to download any of our books later than this one. Merely said, the Icom Ci V Interface Guide Xggcomms is universally compatible like any devices to read.

<https://py.bijouxmedusa.com/data/browse/fetch.php/productivity%20hacks%20software%20for%20small%20business%2015%20299%20productivity%20hacks.pdf>

Table of Contents Icom Ci V Interface Guide Xggcomms

1. Understanding the eBook Icom Ci V Interface Guide Xggcomms
 - The Rise of Digital Reading Icom Ci V Interface Guide Xggcomms
 - Advantages of eBooks Over Traditional Books
2. Identifying Icom Ci V Interface Guide Xggcomms
 - Exploring Different Genres
 - Considering Fiction vs. Non-Fiction
 - Determining Your Reading Goals
3. Choosing the Right eBook Platform
 - Popular eBook Platforms
 - Features to Look for in an Icom Ci V Interface Guide Xggcomms
 - User-Friendly Interface
4. Exploring eBook Recommendations from Icom Ci V Interface Guide Xggcomms
 - Personalized Recommendations

- Icom Ci V Interface Guide Xggcomms User Reviews and Ratings
- Icom Ci V Interface Guide Xggcomms and Bestseller Lists
- 5. Accessing Icom Ci V Interface Guide Xggcomms Free and Paid eBooks
 - Icom Ci V Interface Guide Xggcomms Public Domain eBooks
 - Icom Ci V Interface Guide Xggcomms eBook Subscription Services
 - Icom Ci V Interface Guide Xggcomms Budget-Friendly Options
- 6. Navigating Icom Ci V Interface Guide Xggcomms eBook Formats
 - ePub, PDF, MOBI, and More
 - Icom Ci V Interface Guide Xggcomms Compatibility with Devices
 - Icom Ci V Interface Guide Xggcomms Enhanced eBook Features
- 7. Enhancing Your Reading Experience
 - Adjustable Fonts and Text Sizes of Icom Ci V Interface Guide Xggcomms
 - Highlighting and Note-Taking Icom Ci V Interface Guide Xggcomms
 - Interactive Elements Icom Ci V Interface Guide Xggcomms
- 8. Staying Engaged with Icom Ci V Interface Guide Xggcomms
 - Joining Online Reading Communities
 - Participating in Virtual Book Clubs
 - Following Authors and Publishers Icom Ci V Interface Guide Xggcomms
- 9. Balancing eBooks and Physical Books Icom Ci V Interface Guide Xggcomms
 - Benefits of a Digital Library
 - Creating a Diverse Reading Collection Icom Ci V Interface Guide Xggcomms
- 10. Overcoming Reading Challenges
 - Dealing with Digital Eye Strain
 - Minimizing Distractions
 - Managing Screen Time
- 11. Cultivating a Reading Routine Icom Ci V Interface Guide Xggcomms
 - Setting Reading Goals Icom Ci V Interface Guide Xggcomms
 - Carving Out Dedicated Reading Time
- 12. Sourcing Reliable Information of Icom Ci V Interface Guide Xggcomms
 - Fact-Checking eBook Content of Icom Ci V Interface Guide Xggcomms

- Distinguishing Credible Sources
- 13. Promoting Lifelong Learning
 - Utilizing eBooks for Skill Development
 - Exploring Educational eBooks
- 14. Embracing eBook Trends
 - Integration of Multimedia Elements
 - Interactive and Gamified eBooks

Icom Ci V Interface Guide Xggcomms Introduction

In this digital age, the convenience of accessing information at our fingertips has become a necessity. Whether its research papers, eBooks, or user manuals, PDF files have become the preferred format for sharing and reading documents. However, the cost associated with purchasing PDF files can sometimes be a barrier for many individuals and organizations. Thankfully, there are numerous websites and platforms that allow users to download free PDF files legally. In this article, we will explore some of the best platforms to download free PDFs. One of the most popular platforms to download free PDF files is Project Gutenberg. This online library offers over 60,000 free eBooks that are in the public domain. From classic literature to historical documents, Project Gutenberg provides a wide range of PDF files that can be downloaded and enjoyed on various devices. The website is user-friendly and allows users to search for specific titles or browse through different categories. Another reliable platform for downloading Icom Ci V Interface Guide Xggcomms free PDF files is Open Library. With its vast collection of over 1 million eBooks, Open Library has something for every reader. The website offers a seamless experience by providing options to borrow or download PDF files. Users simply need to create a free account to access this treasure trove of knowledge. Open Library also allows users to contribute by uploading and sharing their own PDF files, making it a collaborative platform for book enthusiasts. For those interested in academic resources, there are websites dedicated to providing free PDFs of research papers and scientific articles. One such website is Academia.edu, which allows researchers and scholars to share their work with a global audience. Users can download PDF files of research papers, theses, and dissertations covering a wide range of subjects. Academia.edu also provides a platform for discussions and networking within the academic community. When it comes to downloading Icom Ci V Interface Guide Xggcomms free PDF files of magazines, brochures, and catalogs, Issuu is a popular choice. This digital publishing platform hosts a vast collection of publications from around the world. Users can search for specific titles or explore various categories and genres. Issuu offers a seamless reading experience with its user-friendly interface and allows users to download PDF files for offline reading. Apart from dedicated platforms, search engines also play a crucial role in finding free PDF files. Google, for instance, has an advanced

search feature that allows users to filter results by file type. By specifying the file type as "PDF," users can find websites that offer free PDF downloads on a specific topic. While downloading Icom Ci V Interface Guide Xggcomms free PDF files is convenient, its important to note that copyright laws must be respected. Always ensure that the PDF files you download are legally available for free. Many authors and publishers voluntarily provide free PDF versions of their work, but its essential to be cautious and verify the authenticity of the source before downloading Icom Ci V Interface Guide Xggcomms. In conclusion, the internet offers numerous platforms and websites that allow users to download free PDF files legally. Whether its classic literature, research papers, or magazines, there is something for everyone. The platforms mentioned in this article, such as Project Gutenberg, Open Library, Academia.edu, and Issuu, provide access to a vast collection of PDF files. However, users should always be cautious and verify the legality of the source before downloading Icom Ci V Interface Guide Xggcomms any PDF files. With these platforms, the world of PDF downloads is just a click away.

FAQs About Icom Ci V Interface Guide Xggcomms Books

What is a Icom Ci V Interface Guide Xggcomms PDF? A PDF (Portable Document Format) is a file format developed by Adobe that preserves the layout and formatting of a document, regardless of the software, hardware, or operating system used to view or print it. **How do I create a Icom Ci V Interface Guide Xggcomms PDF?** There are several ways to create a PDF: Use software like Adobe Acrobat, Microsoft Word, or Google Docs, which often have built-in PDF creation tools. Print to PDF: Many applications and operating systems have a "Print to PDF" option that allows you to save a document as a PDF file instead of printing it on paper. Online converters: There are various online tools that can convert different file types to PDF. **How do I edit a Icom Ci V Interface Guide Xggcomms PDF?** Editing a PDF can be done with software like Adobe Acrobat, which allows direct editing of text, images, and other elements within the PDF. Some free tools, like PDFescape or Smallpdf, also offer basic editing capabilities. **How do I convert a Icom Ci V Interface Guide Xggcomms PDF to another file format?** There are multiple ways to convert a PDF to another format: Use online converters like Smallpdf, Zamzar, or Adobe Acrobats export feature to convert PDFs to formats like Word, Excel, JPEG, etc. Software like Adobe Acrobat, Microsoft Word, or other PDF editors may have options to export or save PDFs in different formats. **How do I password-protect a Icom Ci V Interface Guide Xggcomms PDF?** Most PDF editing software allows you to add password protection. In Adobe Acrobat, for instance, you can go to "File" -> "Properties" -> "Security" to set a password to restrict access or editing capabilities. Are there any free alternatives to Adobe Acrobat for working with PDFs? Yes, there are many free alternatives for working with PDFs, such as: LibreOffice: Offers PDF editing features. PDFsam: Allows splitting, merging, and editing PDFs. Foxit Reader: Provides basic PDF viewing and editing capabilities. How do I compress a PDF file?

You can use online tools like Smallpdf, ILovePDF, or desktop software like Adobe Acrobat to compress PDF files without significant quality loss. Compression reduces the file size, making it easier to share and download. Can I fill out forms in a PDF file? Yes, most PDF viewers/editors like Adobe Acrobat, Preview (on Mac), or various online tools allow you to fill out forms in PDF files by selecting text fields and entering information. Are there any restrictions when working with PDFs? Some PDFs might have restrictions set by their creator, such as password protection, editing restrictions, or print restrictions. Breaking these restrictions might require specific software or tools, which may or may not be legal depending on the circumstances and local laws.

Find Icom Ci V Interface Guide Xggcomms :

[productivity hacks software for small business 15-299](#) [productivity hacks marketing apps for startups 15-83](#) [AI marketing best practices USA small business 15-770](#) [VPN services apps United States 15-736](#) [VPN guide USA 15-1667](#) [cybersecurity guide United States 15-416](#) [cybersecurity minimalist lifestyle apps for startups 15-2741](#) [minimalist lifestyle best 15-2176](#) [resume writing comparison for startups 15-2593](#) [resume writing software for entrepreneurs 15-2055](#) [remote work software for startups checklist America 15-1059](#) [digital marketing checklist United States America 15-26](#) [electric vehicles strategies United States 15-1736](#) [roadmap for creators 15-2801](#) [smart home tech roadmap for creators 15-459](#) [tutorial for creators 15-2956](#) [machine learning basics tutorial for small affiliate marketing tutorial for startups 15-2541](#) [affiliate marketing travel roadmap for startups 15-1783](#) [luxury travel software America electric vehicles ideas USA 15-1458](#) [electric vehicles ideas for creators explained United States 15-2366](#) [VPN services explained for startups](#)

Icom Ci V Interface Guide Xggcomms :

[kubota b6200 tractor service manual download](#) [kubota manual](#) - Jul 08 2022
web this kubota g6200 it has 637 cc or 38 9 ci 3 cylinders the fuel tank capacity is 2 1 gal 7 9 l this machine has 4x2 2wd wheel drive system infinite forward and reverse transmission

[g3200 to g6200h operators manual kubotabooks com](#) - Sep 22 2023

web operator s manual orewop are v the proud own of a kubota diesel lawn anc garden tractor this tractor is a product of kubota quality engineering and

[fastfixdb kubota g6200 information specification](#) - Jan 14 2023

web this kubota g3200 g4200 g5200 g6200h operation manual pdf download contains detailed illustrations and step by step instructions to help you safely and easily service

kubota g6200h workshop service repair manual - Feb 03 2022

kubota g6200h parts catalogue manual excavator service - May 06 2022

web jun 22 2016 kubota g6200h workshop service repair manual this kubota g3200 g4200 g4200h g5200h g6200h grass yard tractor repair work handbook is an

kubota g series service parts manual collection - Mar 16 2023

web kubota g6200 maintenance engine and hydraulic oil filter part numbers service intervals and refill capacities

[kubota g6200 specs prices reviews problems kubota](#) - Nov 12 2022

web jul 21 2013 738 5 lbs 334 kg front tire 16x6 50 8 rear tire 23x10 50 12 full dimensions and tires kubota g6200 attachments 40 mid mount mower deck

kubota g3200 g4200 g4200h g5200h g6200h parts - Jun 07 2022

web kubota tractor g6200h g5200h g4200h g4200 g3200 operators instruction owners manual guide manual step by step fundamental support the entirety of the

[kubota g6200h service manual collection of 2 files](#) - Feb 15 2023

web the manual for the kubota g6200 is likely to have a section entitled troubleshooting or something similar this information is also often found on a number of major websites

[kubota g6200 manual manualsplanet](#) - Jul 20 2023

web are you looking for the manual for kubota g6200 you are in the right place below the document viewer for kubota g6200 manual in pdf format to save your time we say

kubota g3200 g4200 g5200 g6200h operation manual pdf - Oct 11 2022

web kubota b6200 service manual includes kubota b6200 service manual 293 pages in pdf format 105 7 mb in zip format for super fast downloads this factory kubota

tractordata com kubota g6200 tractor information - Aug 09 2022

web this is the finished plant administration fix manual for the kubota g6200h lawn garden tractor this service manual has

simple to peruse text segments with top

kubota g6200h g5200h g4200h g4200 g3200 operators - Sep 10 2022

web kubota g3200 g4200 g4200h g5200h g6200h parts catalogue manual offers step by step guidelines based on the complete disassembly of the equipment this kubota

kubota g6200 technical specs many tractors - Apr 05 2022

kubota g6200h workshop service repair manual - Aug 21 2023

web g5200h g6200h yard garden tractor service repair guidebook covers engine clutch transaxle brakes front axle steering fender lift pto electrical

kubota g6200 garden tractor maintenance data - Dec 13 2022

web factory operators manual for kubota lawn and garden tractor manual for owners and operators it contains important information and instructions for maintenance

kubota g6200 parts new and aftermarket kubota - Apr 17 2023

web all kubota service manuals pdf fastfix db search for workshop owner service and parts manuals

kubota g6200h parts catalogue guidebook manual - May 18 2023

web this is the complete factory service repair manual for the kubota g3200 g4200 g4200h g5200h g6200h lawn garden tractor this service manual has easy to read

kubota g6200h mower master parts manual download - Jun 19 2023

web hydraulic filters a kubota hydraulic filter is designed to do a similar job to an engine oil filter but the hydraulic system thereby protecting valves and hydrostatic transmission parts

kubota tractor g6200h g5200h operators owners manual - Mar 04 2022

user manual kubota g6200 37 pages - Oct 23 2023

web manual view the manual for the kubota g6200 here for free this manual comes under the category not categorized and has been rated by 1 people with an average of a 7 5

docteur slump perfect Édition t 15 pocket book may - Oct 26 2022

web may 24 2012 dernier tome de dr slump qui est prometteur dès le début on y rencontre des nouveaux personnages et la fin finie à l humour sauce dr slump juste déçu qu il n y ait plus de tome de ce manga

docteur slump tome 15 perfect edition shopforgeek - Mar 31 2023

web buy docteur slump tome 15 perfect edition out of shopforgeek com manga glenat free delivery and 5 dth discount see

conditions

[docteur slump perfect edition tome 15 arie wallert](#) - Feb 15 2022

web docteur slump perfect edition tome 15 docteur slump perfect edition tome 15 2 downloaded from bespoke cityam com on 2023 02 18 by guest christopher is fifteen and has asperger s syndrome he knows a very great deal about maths and very little about human beings he loves lists patterns and the truth he hates the colours yellow and

[docteur slump perfect edition tome 15 docteur slump perfect edition](#) - Sep 24 2022

web docteur slump perfect edition tome 15 docteur slump perfect edition 15 french edition toriyama akira on amazon com au free shipping on eligible orders docteur slump perfect edition tome 15 docteur slump perfect edition 15 french edition *docteur slump perfect edition tome 15 pocket book* - Aug 04 2023

web apr 18 2012 amazon com docteur slump perfect edition tome 15 9782723486750 toriyama akira books

docteur slump perfect edition tome 15 perfect edi 2023 - Apr 19 2022

web docteur slump perfect edition tome 15 perfect edi romio vs juliet tome 15 aug 12 2021 dragon ball perfect edition jul 03 2023 l heure de l affrontement contre les saïyens approche à grands pas alors que piccolo poursuit l entraînement de son gohan son goku arrive enfin à la planète de maître kaio

[amazon com au customer reviews docteur slump perfect edition tome 15](#) - Aug 24 2022

web find helpful customer reviews and review ratings for docteur slump perfect edition tome 15 docteur slump perfect edition 15 french edition at amazon com read honest and unbiased product reviews from our users

docteur slump perfect edition tome 15 toriyama akira - Jun 02 2023

web docteur slump perfect edition tome 15 toriyama akira 4 1 avg rating 30 ratings by goodreads isbn 10 2723486753 isbn 13 9782723486750 publisher glenat 2012

[dr slump perfect edition vol 15 amazon sg books](#) - Oct 06 2023

web hello select your address all

[docteur slump perfect edition tome 15 perfect edi pdf](#) - Mar 19 2022

web dans ce quinzième tome eikichi onizuka se lance dans une nouvelle aventure tel un lutteur de foire il devra affronter cent adversaires au cours d un tournoi de bras de fer dantesque où l angélique et démoniaque mayu s apprête à révéler son terrible secret volume 15 tome i kierkegaard s concepts jun 22 2021

docteur slump perfect edition tome 15 Éditions glénat - Sep 05 2023

web apr 18 2012 docteur slump perfect edition taro a décidé de devenir policier mais pour cela il va d abord devoir passer son permis de conduire bien décidée à obtenir elle aussi le précieux sésame aralé décide de le suivre à l auto école pendant ce temps l auteur organise le deuxième grand prix pingouin et cette fois ci l

docteur slump perfect edition tome 15 docteur slump perfect edition - May 01 2023

web buy docteur slump perfect edition tome 15 docteur slump perfect edition 15 by online on amazon ae at best prices fast and free shipping free returns cash on delivery available on eligible purchase

docteur slump tome 15 perfect edition by akira toriyama - Feb 27 2023

web voilà qui éveille bien des convoitises et c est une véritable course acharnée qui s apprête à démarrer dans un incroyable hommage aux célèbres fous du volant version deux

docteur slump perfect edition abebooks - Dec 28 2022

web docteur slump perfect edition tome 15 akira toriyama published by glénat 2012 isbn 10 2723486753 isbn 13 9782723486750

amazon com customer reviews docteur slump perfect edition tome 15 - Jan 29 2023

web find helpful customer reviews and review ratings for docteur slump perfect edition tome 15 at amazon com read honest and unbiased product reviews from our users

docteur slump perfect edition tome 15 docteur slump perfect edition - Jul 03 2023

web docteur slump perfect edition tome 15 docteur slump perfect edition 15 amazon co uk books

vol 15 dr slump perfect edition manga manga news - Jun 21 2022

web apr 18 2012 dr slump perfect edition vol 15 est un manga shonen de toriyama akira publié le 18 avril 2012 par glénat taro a décidé de devenir policier mais pour cela il

[slump perfect edition abebooks](#) - Jul 23 2022

web docteur slump perfect edition tome 01 by toriyama akira and a great selection of related books art and collectibles available now at abebooks com

amazon in customer reviews docteur slump perfect édition tome 15 - Nov 26 2022

web find helpful customer reviews and review ratings for docteur slump perfect édition tome 15 at amazon com read honest and unbiased product reviews from our users

docteur slump perfect edition tome 15 by akira toriyama - May 21 2022

web obtaining the digital documents of this docteur slump perfect edition tome 15 by akira toriyama by online along with manuals you could savor the moment is docteur slump perfect edition tome 15 by akira toriyama below

calculus with analytic geometry fifth edition and graphing - Nov 29 2022

web calculus with analytic geometry fifth edition and graphing calculator supplement by howard anton set downloaded from esource svb com by guest angie hailie

calculus with analytic geometry student by anton - May 04 2023

web mar 29 1995 calculus with analytic geometry student solution manual 5th edition 5th edition by howard anton author 2 6 8 ratings see all formats and editions

calculus with analytic geometry student solution manual 5th - Aug 07 2023

web mar 29 1995 calculus with analytic geometry student solution manual 5th edition howard anton 4 14 7 ratings1 review continues the outstanding tradition of earlier

solution of calculus by howard anton 5th edition - Sep 08 2023

web solution to problems in howard anton s calculus with analytic geometry solution of calculus by howard anton 5th edition downloaded from search upqode com by guest

calculus with analytical geometry 5th edn by howard - Feb 01 2023

web aug 1 2016 new york version a calculus with analytical geometry brief edition 5th edn by howard anton in collaboration with albert harr pp 682 21 95 1995 isbn 0

calculus 10th edition solutions and answers quizlet - Oct 09 2023

web find step by step solutions and answers to calculus 9781118137925 as well as thousands of textbooks so you can move forward with confidence

calculus with analytic geometry by howard anton open library - Jul 06 2023

web sep 7 2023 calculus with analytic geometry 5th ed by howard anton and albert herr 4 78 9 ratings 163 want to read 23 currently reading 7 have read a

editions of calculus with analytic geometry by howard anton - Apr 03 2023

web feb 1 1980 calculus with analytic geometry fifth edition and discovering calculus with mathematica and mathematica ibm student version hardcover published june 13th

calculus howard anton 5th edition book learn copyblogger - Sep 27 2022

web however nestled within the pages of calculus howard anton 5th edition a charming fictional treasure sporting with natural emotions lies an exceptional journey waiting to be

calculus by howard anton 5th edition solution manual - Jun 24 2022

web calculus by howard anton 5th edition solution manual esource svb

calculus a new horizon anton howard free download - Mar 02 2023

web calculus a new horizon by anton howard anton howard calculus with analytic geometry

solution of calculus by howard anton 5th edition download - Aug 27 2022

web 4 solution of calculus by howard anton 5th edition 2023 07 14 solutions to fulfill market needs by providing various new methods of problem solving for both teachers

calculus binder ready version anton howard - Jan 20 2022

web new york ny john wiley and sons 1995 download our calculus howard anton 5th edition ebooks for free and learn more about calculus howard anton 5th edition

solution of calculus howard anton 5th edition 2022 esource svb - Oct 29 2022

web solution of calculus howard anton 5th edition 3 3 when it comes to learning linear algebra engineers trust anton the tenth edition presents the key concepts and topics

calculus with analytic geometry howard anton google books - Dec 31 2022

web howard anton wiley 1980 calculus 1245 pages the aim of this major revision is to create a contemporary text which incorporates the best features of calculus reform yet

calculus howard anton 5th edition thebookee net - Dec 19 2021

web solution of calculus howard anton 5th edition right here we have countless books solution of calculus howard anton 5th edition and collections to check out we

student solutions manual to accompany calculus early - Feb 18 2022

web apr 10 2012 buy student solutions manual to accompany calculus early transcendentals single variable single variable 10e 10th edition by howard

calculus with analytic geometry 5e complete solutions - Jun 05 2023

web jan 1 1995 buy calculus with analytic geometry 5e complete solutions manual on amazon com free shipping on qualified orders calculus with analytic geometry 5e

solution of calculus howard anton 5th edition michael spivak - Apr 22 2022

web difficulty as acuteness of this solution of calculus howard anton 5th edition can be taken as skillfully as picked to act precalculus david cohen 1997 precalculus a

calculus howard anton 5th edition solution esource svb - May 24 2022

web calculus howard anton 5th edition solution downloaded from esource svb com by guest macias nixon linear algebra and its applications global edition springer

solution of calculus howard anton 5th edition david cohen - Nov 17 2021

[solution of calculus by howard anton 5th edition david cohen](#) - Mar 22 2022

web complete solutions manual to accompany calculus with analytic geometry 5th ed by howard anton howard anton 1995 precalculus david cohen 1997 precalculus a

calculus by howard anton 5th edition solution manual - Jul 26 2022

web calculus by howard anton 5th edition solution manual downloaded from esource svb com by guest shaffer levy wiley
dennis zill s mathematics texts are