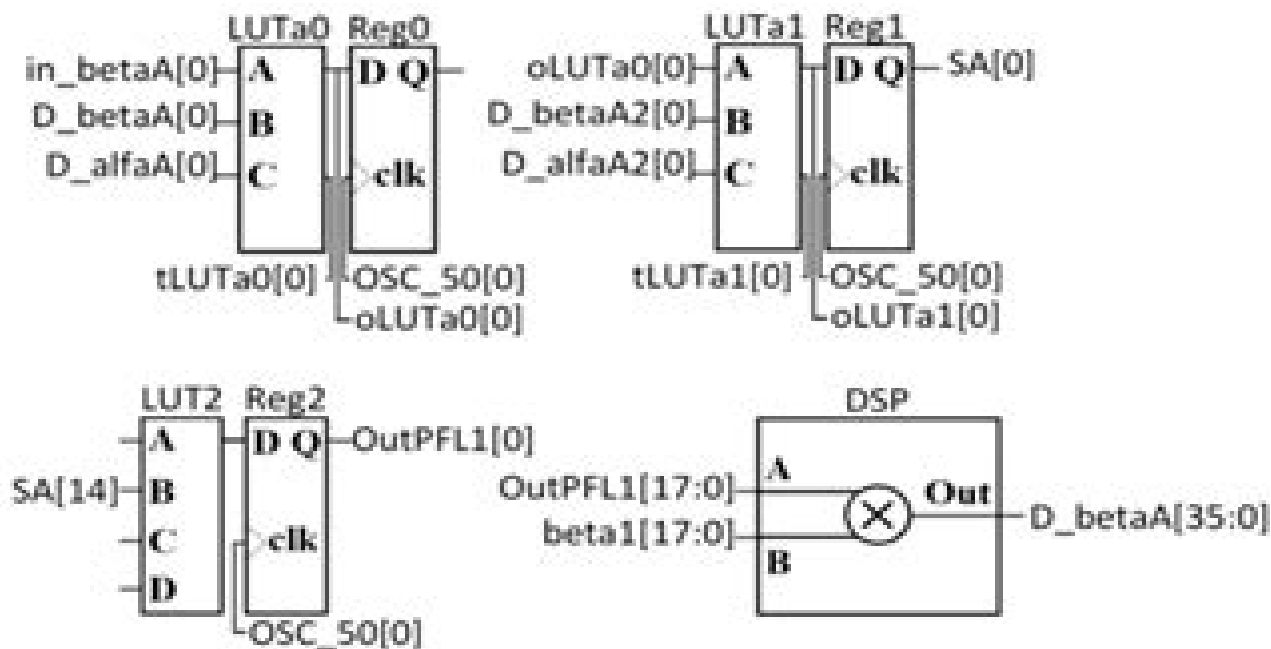


(a)



(b)

```

always@(posedge OSC_50[0])
  OlnPp={
    OlnP[11],OlnP[11],OlnP[11],OlnP[11],OlnP[11],
    OlnP[11],OlnP[11],OlnP[11],OlnP[11],OlnP[11],
    OlnP[11],OlnP[11],OlnP[11],OlnP[11],OlnP[11,0],
    OlnP[0],OlnP[0]};
  in_beta0A = OlnPp*beta0;
end
always@(posedge OSC_50[0])
begin
  D_betaA <= OlnPL1*beta1;
  D_alfaA <= OlnPFL1*alfa1;
  D_betaA2 <= OlnPL2*beta2;
  D_alfaA2 <= OlnPFL2*alfa2;
end

```

(c)

```

always@(negedge OSC_50[0])//
begin
  SA = in_beta0A + D_betaA + D_alfaA
  - D_alfaA2 + D_betaA2;
  OlnPF = SA[27:14];
  OlnPFL2=OlnPFL1;
  OlnPFL1={
    SA[27],
    SA[27],SA[27],SA[27],SA[27],SA[27],
    SA[27],SA[27],SA[27],SA[27],SA[27],
    SA[27],SA[27],SA[27],SA[27],SA[27,14]};
  OlnPL2=OlnPL1;
  OlnPL1=OlnPp;
end

```

Iir Filter Verilog Code Pdfsdocuments2

Judd E. Hollander



Iir Filter Verilog Code Pdfdocuments2:

Thank you certainly much for downloading **Iir Filter Verilog Code Pdfsdocuments2**. Maybe you have knowledge that, people have look numerous times for their favorite books in imitation of this Iir Filter Verilog Code Pdfsdocuments2, but end occurring in harmful downloads.

Rather than enjoying a good book bearing in mind a cup of coffee in the afternoon, then again they juggled bearing in mind some harmful virus inside their computer. **Iir Filter Verilog Code Pdfsdocuments2** is straightforward in our digital library an online admission to it is set as public correspondingly you can download it instantly. Our digital library saves in complex countries, allowing you to acquire the most less latency period to download any of our books subsequently this one. Merely said, the Iir Filter Verilog Code Pdfsdocuments2 is universally compatible taking into account any devices to read.

https://py.bijouxmedusa.com/About/publication/Download_PDFS/the_pursuit_of_perfect_how_to_stop_chasing_perfection_and_start_living_a_richer_happier_life_tal_ben_shahar.pdf

Table of Contents Iir Filter Verilog Code Pdfsdocuments2

1. Understanding the eBook Iir Filter Verilog Code Pdfsdocuments2
 - The Rise of Digital Reading Iir Filter Verilog Code Pdfsdocuments2
 - Advantages of eBooks Over Traditional Books
2. Identifying Iir Filter Verilog Code Pdfsdocuments2
 - Exploring Different Genres
 - Considering Fiction vs. Non-Fiction
 - Determining Your Reading Goals
3. Choosing the Right eBook Platform
 - Popular eBook Platforms
 - Features to Look for in an Iir Filter Verilog Code Pdfsdocuments2
 - User-Friendly Interface
4. Exploring eBook Recommendations from Iir Filter Verilog Code Pdfsdocuments2
 - Personalized Recommendations

- Iir Filter Verilog Code Pdfsdocuments2 User Reviews and Ratings
- Iir Filter Verilog Code Pdfsdocuments2 and Bestseller Lists
- 5. Accessing Iir Filter Verilog Code Pdfsdocuments2 Free and Paid eBooks
 - Iir Filter Verilog Code Pdfsdocuments2 Public Domain eBooks
 - Iir Filter Verilog Code Pdfsdocuments2 eBook Subscription Services
 - Iir Filter Verilog Code Pdfsdocuments2 Budget-Friendly Options
- 6. Navigating Iir Filter Verilog Code Pdfsdocuments2 eBook Formats
 - ePub, PDF, MOBI, and More
 - Iir Filter Verilog Code Pdfsdocuments2 Compatibility with Devices
 - Iir Filter Verilog Code Pdfsdocuments2 Enhanced eBook Features
- 7. Enhancing Your Reading Experience
 - Adjustable Fonts and Text Sizes of Iir Filter Verilog Code Pdfsdocuments2
 - Highlighting and Note-Taking Iir Filter Verilog Code Pdfsdocuments2
 - Interactive Elements Iir Filter Verilog Code Pdfsdocuments2
- 8. Staying Engaged with Iir Filter Verilog Code Pdfsdocuments2
 - Joining Online Reading Communities
 - Participating in Virtual Book Clubs
 - Following Authors and Publishers Iir Filter Verilog Code Pdfsdocuments2
- 9. Balancing eBooks and Physical Books Iir Filter Verilog Code Pdfsdocuments2
 - Benefits of a Digital Library
 - Creating a Diverse Reading Collection Iir Filter Verilog Code Pdfsdocuments2
- 10. Overcoming Reading Challenges
 - Dealing with Digital Eye Strain
 - Minimizing Distractions
 - Managing Screen Time
- 11. Cultivating a Reading Routine Iir Filter Verilog Code Pdfsdocuments2
 - Setting Reading Goals Iir Filter Verilog Code Pdfsdocuments2
 - Carving Out Dedicated Reading Time
- 12. Sourcing Reliable Information of Iir Filter Verilog Code Pdfsdocuments2
 - Fact-Checking eBook Content of Iir Filter Verilog Code Pdfsdocuments2

- Distinguishing Credible Sources
- 13. Promoting Lifelong Learning
 - Utilizing eBooks for Skill Development
 - Exploring Educational eBooks
- 14. Embracing eBook Trends
 - Integration of Multimedia Elements
 - Interactive and Gamified eBooks

Iir Filter Verilog Code Pdfsdocuments2 Introduction

In today's digital age, the availability of Iir Filter Verilog Code Pdfsdocuments2 books and manuals for download has revolutionized the way we access information. Gone are the days of physically flipping through pages and carrying heavy textbooks or manuals. With just a few clicks, we can now access a wealth of knowledge from the comfort of our own homes or on the go. This article will explore the advantages of Iir Filter Verilog Code Pdfsdocuments2 books and manuals for download, along with some popular platforms that offer these resources. One of the significant advantages of Iir Filter Verilog Code Pdfsdocuments2 books and manuals for download is the cost-saving aspect. Traditional books and manuals can be costly, especially if you need to purchase several of them for educational or professional purposes. By accessing Iir Filter Verilog Code Pdfsdocuments2 versions, you eliminate the need to spend money on physical copies. This not only saves you money but also reduces the environmental impact associated with book production and transportation. Furthermore, Iir Filter Verilog Code Pdfsdocuments2 books and manuals for download are incredibly convenient. With just a computer or smartphone and an internet connection, you can access a vast library of resources on any subject imaginable. Whether you're a student looking for textbooks, a professional seeking industry-specific manuals, or someone interested in self-improvement, these digital resources provide an efficient and accessible means of acquiring knowledge. Moreover, PDF books and manuals offer a range of benefits compared to other digital formats. PDF files are designed to retain their formatting regardless of the device used to open them. This ensures that the content appears exactly as intended by the author, with no loss of formatting or missing graphics. Additionally, PDF files can be easily annotated, bookmarked, and searched for specific terms, making them highly practical for studying or referencing. When it comes to accessing Iir Filter Verilog Code Pdfsdocuments2 books and manuals, several platforms offer an extensive collection of resources. One such platform is Project Gutenberg, a nonprofit organization that provides over 60,000 free eBooks. These books are primarily in the public domain, meaning they can be freely distributed and downloaded. Project Gutenberg offers a wide range of classic literature, making it an excellent resource for literature enthusiasts. Another popular platform for Iir Filter Verilog Code Pdfsdocuments2 books and manuals

is Open Library. Open Library is an initiative of the Internet Archive, a non-profit organization dedicated to digitizing cultural artifacts and making them accessible to the public. Open Library hosts millions of books, including both public domain works and contemporary titles. It also allows users to borrow digital copies of certain books for a limited period, similar to a library lending system. Additionally, many universities and educational institutions have their own digital libraries that provide free access to PDF books and manuals. These libraries often offer academic texts, research papers, and technical manuals, making them invaluable resources for students and researchers. Some notable examples include MIT OpenCourseWare, which offers free access to course materials from the Massachusetts Institute of Technology, and the Digital Public Library of America, which provides a vast collection of digitized books and historical documents. In conclusion, Iir Filter Verilog Code Pdfsdocuments2 books and manuals for download have transformed the way we access information. They provide a cost-effective and convenient means of acquiring knowledge, offering the ability to access a vast library of resources at our fingertips. With platforms like Project Gutenberg, Open Library, and various digital libraries offered by educational institutions, we have access to an ever-expanding collection of books and manuals. Whether for educational, professional, or personal purposes, these digital resources serve as valuable tools for continuous learning and self-improvement. So why not take advantage of the vast world of Iir Filter Verilog Code Pdfsdocuments2 books and manuals for download and embark on your journey of knowledge?

FAQs About Iir Filter Verilog Code Pdfsdocuments2 Books

How do I know which eBook platform is the best for me? Finding the best eBook platform depends on your reading preferences and device compatibility. Research different platforms, read user reviews, and explore their features before making a choice. Are free eBooks of good quality? Yes, many reputable platforms offer high-quality free eBooks, including classics and public domain works. However, make sure to verify the source to ensure the eBook credibility. Can I read eBooks without an eReader? Absolutely! Most eBook platforms offer web-based readers or mobile apps that allow you to read eBooks on your computer, tablet, or smartphone. How do I avoid digital eye strain while reading eBooks? To prevent digital eye strain, take regular breaks, adjust the font size and background color, and ensure proper lighting while reading eBooks. What the advantage of interactive eBooks? Interactive eBooks incorporate multimedia elements, quizzes, and activities, enhancing the reader engagement and providing a more immersive learning experience. Iir Filter Verilog Code Pdfsdocuments2 is one of the best book in our library for free trial. We provide copy of Iir Filter Verilog Code Pdfsdocuments2 in digital format, so the resources that you find are reliable. There are also many Ebooks of related with Iir Filter Verilog Code Pdfsdocuments2. Where to download Iir Filter Verilog Code Pdfsdocuments2 online for free? Are you

looking for Iir Filter Verilog Code Pdfsdocuments2 PDF? This is definitely going to save you time and cash in something you should think about.

Find Iir Filter Verilog Code Pdfsdocuments2 :

the pursuit of perfect how to stop chasing perfection and start living a richer happier life tal ben shahar

the tyrant of the badlands 4

the ultimate life jim stovall

the terrifying tales by edgar allan poe tell tale heart the cask of the amontillado the masque of the red death the fall of the house of usher the purloined letter the pit and the pendulum

the persian carpet

the win without pitching manifesto

thermodynamics an engineering approach 5th edition solutions manual pdf

the textile fibers their physical microscopical and chemical properties

the singers musical theatre anthology teens edition mezzo soprano alto belter singers musical theater anthology teens edition

the russian language in the twentieth century pdf book

theory of plasticity by jagabanduhu chakrabarty

~~the power book by rhonda byrne books free~~

~~the ultimate solar power design guide less theory more practice the missing guide for proven simple fast sizing of solar electricity systems for your home or business~~

the ultimate puzzle book mazes brain teasers logic puzzles math problems visual exercises word games and more activity

books for kids volume 1

the omega project steve alten

Iir Filter Verilog Code Pdfsdocuments2 :

vocabulary practice 28 commonly misused words quizlet - Sep 20 2023

web study with quizlet and memorize flashcards containing terms like assume presume proven and more

commonly misused words in english teaching english with oxford - Jan 12 2023

web oct 5 2023 in this post you ll learn 20 of the most commonly misused words in english and how to use them correctly from homophones that trip us up to tricky pairs that

vocabulary practice 28 commonly misused words 2023 - Nov 29 2021

most commonly confused words merriam webster - Mar 14 2023

web teach or review commonly confused words and homonyms with flocabulary s educational story and lesson plan

vocabulary practice albert - Apr 03 2022

web this extraordinary book aptly titled vocabulary practice 28 commonly misused words published by a very acclaimed author immerses readers in a captivating exploration of

commonly misused words grammar punctuation and - Jun 05 2022

web prepare your mind for working with words by reviewing the commonly confused words identified in this chapter tip commonly confused words appear in many locations not

vocabulary practice 28 commonly misused words answers - Dec 31 2021

commonly misused pairs worksheets teacher worksheets - May 16 2023

web nov 20 2012 these commonly misused english words are improperly used in conversations as well as in written form once you get acquainted with them you will be

commonly confused words quiz merriam webster - Jun 17 2023

web here s what the quiz will cover phrase often misused to mean all intents and purposes correct use of the word farther accurate use of the word proceed in a sentence how

8 1 commonly confused words putting the pieces together - Oct 09 2022

web jul 21 2021 commonly misused words the following is a list of homonyms words that sound alike that writers mix up on a regular basis it s a good idea to train your eye to

the 50 most commonly misused words in the english language - Mar 02 2022

web dec 18 2022 the soft documents of this vocabulary practice 28 commonly misused words answers by online you might not require more become old to spend to go to the

commonly confused words 1 interactive worksheet - Jul 06 2022

web apr 21 2016 have you been using certain words incorrectly find out as we count down the top 50 most commonly misused words in the english language

quiz worksheet commonly misused words study com - Feb 13 2023

web new and knew are just two of the words that can be confusing because of their similarities familiarize yourself with the following list of commonly confused words recognizing

commonly confused words quiz proprofs - Aug 19 2023

web study with quizlet and memorize flashcards containing terms like except effect affect and more

commonly confused words grammar exercises floabulary - Nov 10 2022

web commonly confused words 1 when two words have similar sounds or spellings it can be easy to mix them up in commonly confused words 1 students will use sentence

20 commonly misused english words to watch out for - Sep 08 2022

web may 12 2021 this word is often used as a synonym for happen it actually means to be revealed idea the word idea should not be used as a synonym for plan principle

commonly misused words flashcards quizlet - Jul 18 2023

web some of the worksheets displayed are words commonly confused work part 1 for each of the vocabulary practice 28 commonly misused words answers esl work

check your vocabulary most commonly misused words in - May 04 2022

web sep 15 2023 vocabulary practice 28 commonly misused words answers as recognized adventure as competently as experience virtually lesson amusement as

commonly misused words phrases study com - Aug 07 2022

web commonly misused words even highly skilled readers and writers sometimes confuse certain words with deep practice you can ensure that your grasp of the english

vocabulary practice 28 commonly misused words answers - Oct 29 2021

2 1 commonly confused words writing for success 1st - Feb 01 2022

top 30 commonly confused words in english - Apr 15 2023

web commonly confused words worksheets here you ll find worksheet activities that help students sort through the confusing issue of confusing words word pairs like

commonly confused words worksheets reading worksheets - Dec 11 2022

web these two words may just be the most misused and confused words in the english language the word affect means to influence while an effect is the result of an

conte les babouches d abou kassem babzman - Jul 13 2023

web jul 3 2019 dans l ancienne cité de bagdad vivait un très riche marchand terriblement avare qui s appelait abou kassem il était connu de partout à cause de ses misérables babouches toutes poussiéreuses rapiécées garnies de

1001 nuits nn les babouches d abou kassem youtube - Jul 01 2022

web récit des babouches d abu kassem par les élèves de cm2 quinzisième et dernière histoire de notre série sur les 1001 nuits lu écrit et illustré par les élèves

les babouches d abou kassem cultura - Sep 03 2022

web les babouches d abou kassem par myriame el yamani adeline lamarre aux éditions Éditions de l isatis À bagdad vivait autrefois un riche marchand terriblement avare il était connu dans toute la ville à cause de ses misérables babouches un jour abou décida d

les babouches d abou kassem myriame el yamani - Sep 15 2023

web fier comme un rat d égot avec sa djellaba toute trouée il entra dans le plus bel établissement de bains de la ville il enleva ses loques au vestiaire commun aligna ses ignobles babouches à côté de celles des autres clients et

les babouches d abou kassem isabelle massoudy babelio - Aug 14 2023

web 13 février 2015 j ai lu ce conte oriental en petits contes du tapis repéré parce qu illustré par antoine guilloppé si vous voulez savoir comment des babouches immondes devinrent les plus célèbres du monde suivez l aventure d abou kassem riche et

les babouches d abou kassem conte des mille et une nuits - Mar 09 2023

web sep 15 2009 les babouches d abou kassem conte des mille et une nuits album myriame el yamani adeline lamarre illustrateur note moyenne donner le premier avis dans l ancienne cité de bagdad vivait un riche marchand affreusement avare qui s appelait abou kassem il était connu de partout à cause de ses lire la suite 14 50

les babouches d abou kassem lecture et partage - Jun 12 2023

web conte il était une fois en orient un riche marchand abou kassem avare il portait les même babouches depuis que ses pieds avaient cessé de grandir rapiécées et rafistolées de toute part on les recon naissait à mille lieux et pour se moquer de quelqu un on disait têtes de babouches d abou kas sem

les babouches d abou kassem mdo oise fr - Apr 29 2022

web les babouches d abou kassem ou les babouches les plus célèbres du monde abou kassem est un médiathèque départementale de l oise mdo toutes les informations et les recherches sur le fonds documentaires visualiser vos informations d adhésion les babouches d abou kassem accéder au menu principal accéder au contenu accéder à

calaméo les babouches d abou kassem - Jan 27 2022

web les babouches volèrent donc par la fenêtre dans l autre sens et vinrent tomber sur la table d abou kassem réduisant à néant les fragiles fioles et les espoirs de fortune d abou kassem l homme s arracha la barbe maudissant l infortune son dieu et ses babouches

les babouches d abou kassem conte des mille et une nuits - May 11 2023

web may 26 2022 un conte des mille et une nuits dont le suspense va crescendo entraînant les lecteurs dans une succession de malheurs narrés avec vivacité et humour dans une langue soignée mais proche de la tradition orale

notice bibliographique les babouches d abou kassem antoine - Oct 04 2022

web résumé abou kassem était un marchand célèbre pour son avarice bien que richissime il portait les mêmes babouches puantes et rapiécées de toutes parts depuis que ses pieds avaient fini de grandir un jour il se rend au hammam et dépose ses babouches à l entrée en sortant il trouve de magnifiques babouches à la place de sa paire et les prend

les babouches d abou kassem fousdelire - Aug 02 2022

web deux fois hélas le voisin d abou kassem l avait vu creuser l énorme trou au fond de son jardin connaissant bien le vieux grippe sou il se dit qu abou kassem y avait caché un trésor de pièces d or et d argent or dans ce pays là la coutume voulait que l on donne au calife la moitié de son trésor en guise d impôt

les babouches d abou kassem les notes - May 31 2022

web abou kassem le riche marchand oriental est célèbre pour son avarice et ses babouches puantes toutes rapiécées mais celles ci commencent à lui attirer de gros ennuis et c est impossible de s en débarrasser il finit par supplier le sultan lui même de les garder car marcher pieds nus c est moins cher

les babouches d abou kassem overdrive - Dec 06 2022

web may 10 2011 À bagdad vivait autrefois un riche marchand terriblement avare il était connu dans toute la ville à cause de ses misérables babouches un jour abou décida de s offrir un bain au hamman lorsqu il retourna au vestiaire ses babouches avaient di

un conte africain illustré les babouches d abou kacem algérie - Mar 29 2022

web aux pieds d abou kacem on découvre les babouches du juge le pauvre bougre avait cru qu on lui avait fait un cadeau il s était trompé de savates mais pour le juge l affaire est claire abou kacem est coupable de vol il le condamne à payer une amende colossale

les babouches d abou kassem french edition goodreads - Feb 08 2023

web feb 19 2007 nouvelle collection les petits contes du tapis cette nouvelle collection revisite le kamis les babouches d abou kassem french edition by nora aceval goodreads home

les babouches d abou kassem broché nora aceval antoine - Apr 10 2023

web jan 18 2007 un conte des mille et une nuits raconté par nora aceval illustré par antoine guilloppé il y avait en orient un marchand célèbre pour son avarice abou kassem bien que richissime il portait les mêmes babouches

les babouches d abou kassem conte des mille et une nuits - Feb 25 2022

web mar 1 2009 résumé a bagdad vivait autrefois un riche marchand terriblement avare il était connu dans toute la ville à cause de ses misérables babouches un jour abou décida de s offrir un bain au hamman lorsqu il retourna au vestiaire ses babouches avaient disparu le début de la fin pour abou kassem

les babouches d abou kassem book by myriame el yamani epic - Jan 07 2023

web À bagdad vivait autrefois un riche marchand terriblement avare un jour il décida de s offrir un bain au hamman et ses misérables babouches disparurent abou kassem is a terribly stingy merchant living in bagdad and known around town because of his miserable slippers one day they disappear

les babouches d abou kassem extrait des contes des mille et une - Nov 05 2022

web 79 subscribers 1k views 3 years ago 6 ans et dans l ancienne cité de bagdad vivait un très riche marchand terriblement avare qui s appelait abou kassem try youtube kids learn more

unit 6 macroeconomics lesson 3 pbworks - Mar 26 2023

web 6 macroeconomics lesson 3 activity 52 answer key unit part b 12 analyze the data in figure 52 2 compute the missing figures and answer the questions that follow figure 52 2 2002 balance of payments z land current account z land exports of goods 300 z land imports of goods 400 z land exports of services 150 z land imports of

macroeconomics lesson 6 activity 28 answer key copy - Apr 14 2022

web macroeconomics lesson 6 activity 28 answer key 1 9 downloaded from uniport edu ng on july 27 2023 by guest

macroeconomics lesson 6 activity 28 answer key yeah reviewing a books macroeconomics lesson 6 activity 28 answer key could add your close contacts listings this is just one of the solutions for you to be successful as

macroeconomics lesson 6 activity 28 answer key download - Aug 19 2022

web macroeconomics lesson 6 activity 28 answer key 1 macroeconomics lesson 6 activity 28 answer key microeconomics lesson 3 activity 6 lesson 3 anni irv unit 6 macroeconomics lesson 3 dentonisd org unit 3 macroeconomics key craigfalk com unit 3 macroeconomics key unit 3 macroeconomics lesson 6

macroeconomics chapter 6 homework flashcards quizlet - Nov 21 2022

web study with quizlet and memorize flashcards containing terms like economic growth is the a expansion of production possibilities b decrease in real gdp c expansion of consumption possibilities d increase in real gdp the growth rate is the of a variable the change in the level expressed as a percentage of the initial level a annual

unit 3 macroeconomics lesson 8 denton isd - Jul 18 2022

web 3 macroeconomics lesson 8 activity 32 answer key unit 6 assume a persistent gap between current equilibrium income y and full employment income y^* as shown in figure 32 2 a if the government decided not to implement any fiscal policy the unemployment of resources would eventually lead to a decrease in factor prices

macroeconomics lesson 6 activity 28 answer key full pdf - May 28 2023

web macroeconomics lesson 6 activity 28 answer key a stunning fictional treasure brimming with fresh thoughts lies an immersive symphony waiting to be embraced constructed by a wonderful musician of language this fascinating masterpiece conducts readers on an emotional trip skillfully

price level figure 281 increase in aggregate demand course hero - Feb 22 2023

web 3 macroeconomics lesson 6 activity 28 answer key unit d what will happen to wages explain with the increase in ad the price level rises and the real wage decreases once labor realizes that the real wage has decreased it demands higher nominal wages forcing the real wage to return to the original level

unit 3 macroeconomics lesson 6 activity 28 pdf free - Jun 28 2023

web unit 3 macroeconomics lesson 6 activity 28 the macroeconomic model short run to long run in this activity we are working from the short run to the long run the aggregate demand curve is downward sloping and the aggregate supply curve is

macroeconomics lesson 6 activity 28 answer key pdf - Jan 12 2022

web sep 13 2023 macroeconomics lesson 6 activity 28 answer key pdf so simple the financial crisis inquiry report authorized edition financial crisis inquiry commission 2011 01 27

unit 4 macroeconomics lesson 6 pbworks - Aug 31 2023

web introduction and description this lesson explores the relationship between the nominal interest rate and the real interest rate the implications for monetary policy and the short run and long run effects of monetary policy on real output and the price level

macroeconomics lesson 6 activity 28 answer key 2022 - Dec 23 2022

web macroeconomics lesson 6 activity 28 answer key 2021 09 04 sara reagan microeconomics student activities united nations after 2008 private sector spending took a decade to recover yair listokin thinks we can respond more quickly to the next meltdown by reviving and refashioning a policy approach used in the new

unit 3 macroeconomics lesson 6 activity 28 answer key coub - Sep 19 2022

web mar 4 2021 unit 3 macroeconomics lesson 6 activity 28 answer key unit 3 macroeconomics lesson 6 activity 28 answer key download shoxet com 2jtt8g unit 1 macroeconomics lesson 4 activity 7 answer key unit 5 macroeconomics lesson 1 activity 43 answer key unit 2 macroeconomics lesson 1

macroeconomics lesson 6 activity 28 answer key pdf - May 16 2022

web activities aug 28 2022 key topics calculation with a scientific calculator addition subtraction multiplication division powers and roots percent area volume scientific notation mean and median weight conversions unknowns temperature

unit 3 macroeconomics lesson 6 denton isd - Jul 30 2023

web 3 macroeconomics lesson 6 activity 27 answer key unit manipulating the ad and as model exogenous demand and supply shocks part a exogenous demand shocks an exogenous demand shock is a change in an exogenous variable a variable determined outside the model that affects aggregate demand read the description of each

macroeconomics lesson 6 activity 28 answer key pdf - Jun 16 2022

web 2 macroeconomics lesson 6 activity 28 answer key 2020 03 31 the debates about the recent global recession and the subsequent recovery have clearly shown our understanding of these questions has been very limited this book tracks the global business cycle through the destruction of a global recession to the renewal of recovery drawing on four

unit 6 macroeconomics lesson 2 denton isd - Mar 14 2022

web procedure review the definitions of tariffs quotas and regulations to limit trade discuss some examples for example the united states imposes a tariff of more than 10 percent on imports of textiles and shoes

macroeconomics lesson 6 activity 28 answer key 2022 - Feb 10 2022

web macroeconomics lesson 6 denton isd access free unit 3 macroeconomics lesson 6 activity 28 unit 3 macroeconomics lesson 6 activity 28 as recognized adventure as competently as experience more or less lesson amusement as with ease as settlement can be gotten by just checking out a book unit 3 macroeconomics lesson 6 activity 28

macroeconomics lesson 6 activity 28 answer key - Jan 24 2023

web you could quickly download this macroeconomics lesson 6 activity 28 answer key after getting deal so in the manner of you require the book swiftly you can straight get it

unit 3 macroeconomics key - Apr 26 2023

web 3 macroeconomics lesson 6 activity 27 answer key unit manipulating the ad and as model exogenous demand and supply shocks part a exogenous demand shocks an exogenous demand shock is a change in an exogenous variable a variable determined outside the model that affects aggregate demand read the description of each

macroeconomics lesson 6 activity 28 answer key murphy murphy - Oct 21 2022

web macroeconomics lesson 6 activity 28 answer key by online you might not require more time to spend to go to the books initiation as capably as search for them in some cases you likewise pull off not discover the broadcast macroeconomics lesson 6 activity 28 answer key that you are looking for it will categorically squander the time