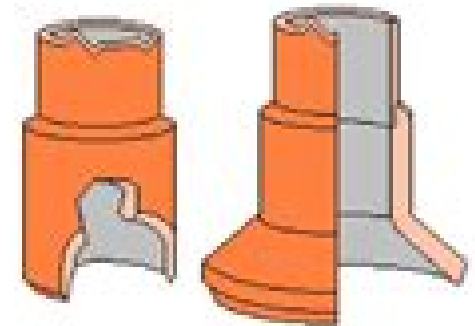


Well COMPLETION

5. OTHERS

5.1 Wireline Entry Guide (WLEG)

- Bottom most tubing accessories.
- Provide easy access for WL tools into tubing.

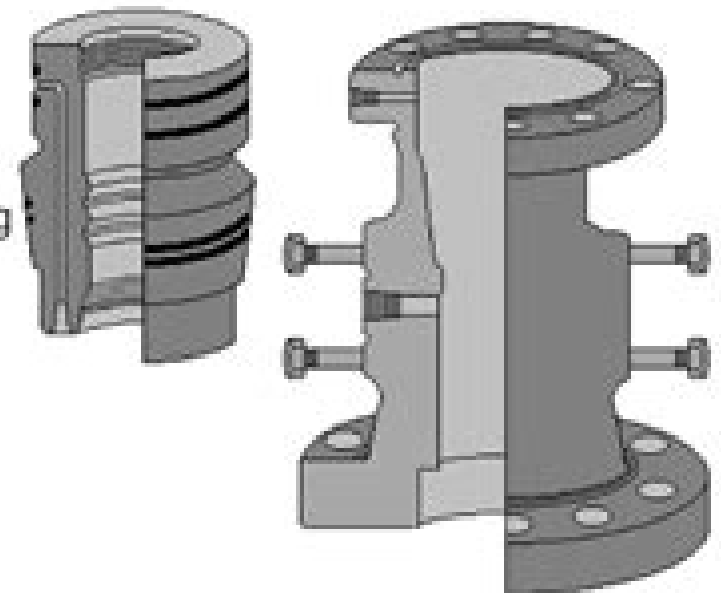


5.2 Perforated Joint

- Eliminate flow restrictions.
- Provide true downhole flow readings.

5.3 Control Line

- Transport hydraulic fluid to SCSSV
- Continuous length & securely clamped on tubing wall.



5.4 Tubing Hanger

- Set in THS , suspend tubing weight & provide sealing.
- BPV Receptacle

Wireline Operations Manual

RJ Alexander



Wireline Operations Manual:

Standard Handbook of Petroleum and Natural Gas Engineering William C. Lyons, Gary J Plisga BS, 2011-03-15 This new edition of the Standard Handbook of Petroleum and Natural Gas Engineering provides you with the best state of the art coverage for every aspect of petroleum and natural gas engineering With thousands of illustrations and 1 600 information packed pages this text is a handy and valuable reference Written by over a dozen leading industry experts and academics the Standard Handbook of Petroleum and Natural Gas Engineering provides the best most comprehensive source of petroleum engineering information available Now in an easy to use single volume format this classic is one of the true must haves in any petroleum or natural gas engineer s library A classic for the oil and gas industry for over 65 years A comprehensive source for the newest developments advances and procedures in the petrochemical industry covering everything from drilling and production to the economics of the oil patch Everything you need all the facts data equipment performance and principles of petroleum engineering information not found anywhere else A desktop reference for all kinds of calculations tables and equations that engineers need on the rig or in the office A time and money saver on procedural and equipment alternatives application techniques and new approaches to problems

Wireline Operations and Procedures American Petroleum Institute. Division of Production, 1964

Wireline Operations Jack B. Hall, 1988

Wireline Operations and Procedures American Petroleum Institute. Production Department, 1994

Oilfield Survival Guide, Volume One: For All Oilfield Situations Matthew J. Hatami, 2017-01-02 Save Money Time and Lives with the Real World Oil Gas Experience of Others Learning the Hard Way in the Oilfield can Cost You Millions sometimes Billions of Dollars in addition to Injury and Loss of Life Cut Through the Noise to Focus on the Most Critical Aspects of Working in the Oil and Gas Business Based on over 1 000 Oil and Gas Situations involving Drilling Cementing Fracking Wireline Coil Tubing Snubbing Running Tools Welding Production Workover Logging Trucking Geology Land Engineering Resource Development Executive Management and much much more Expand Your Value Creation Opportunities by Learning from the Real World Experience of Others Whether you work in the office or in the field work as a Company Man Engineer Driller Tool Pusher Roughneck Geologist Landman Truck Driver Frac Hand Treater Cementer Lawyer Flowback Hand Welder Geophysicist Snubber Pumper Equipment Operator Derrick Man Mechanic Petrophysicist Roustabout Manager Director VP or Executive consider adding Oilfield Survival Guide to your toolbox of knowledge In other words if you work hard for your money in the oil business this book is for you The oil gas industry is one of the most capital intensive businesses today As a result mistakes situations can be expensive in addition to injury and loss of life To prevent undesirable situations Oilfield Survival Guide was created based on over 1 000 oil gas situations The ultimate guide for all oil and gas situations Tactics Procedures Fatalities Short Stories Train Wrecks Disaster Avoidance Court Cases Life Savings Skills Checklists Troubleshooting Problem Job Prevention Oilfield Survival Guide is the ultimate oil industry resource to help manage oilfield risk and avoid mistakes by increasing your oil and gas knowledge and

intelligence utilizing a variety of methods including Tactics Short and to the point guidelines to reduce risk and instill work principles to be successful in the oil industry from the field to the office Short Stories Experience from the mistakes of others Fatalities Detailed analysis of oil and gas tragedies Court Cases Jury trials expert witness testimony and legal opinions on a variety of oil and gas cases Procedures Step by step process to create oilfield procedures and checklists along with multiple examples Operations Analysis Oil and gas operations post mortem highlighting key learnings practical knowledge useful tips and best practices Over 1 000 oil and gas situations analyzed to create Oilfield Survival Guide *The Practical Handbook of Well Control* Rahman Ashena,2025-02-21 The Practical Handbook of Well Control teaches readers to safeguard well safety and integrity in drilling well engineering Offering an applied and scientific point of view it covers fundamental aspects of well control and includes practical procedures and well control methods for land and offshore operations It features a wealth of questions to commonly encountered problems and comprehensive answers at the end of each topical discussion to test reader comprehension Written in a concise accessible way by experienced oilfield and academic experts Covers all related technical subjects of well control Describes modern aspects of well control including automatic well control advances in outflow measurement artificial intelligence and IoT techniques for early kick detection mud gas separators and riser gas modeling Includes case studies to familiarize readers with real world problems and solutions Offers a full explanation of each problem to familiarize readers with commonly faced issues Features sample exercises with comprehensive answers useful for IWCF and IADC exams This handbook serves as a valuable reference and workbook for field drilling and workover engineers in the energy sector [Policy-Driven Mobile Ad hoc Network Management](#) Ritu Chadha,Latha Kant,2007-10-23 This book should be immensely interesting to those trying to decide what MANET research is worth undertaking and why J Christopher Ramming Program Manager Defense Advanced Research Projects Agency DARPA Strategic Technology Office A thorough comprehensive treatment of mobile ad hoc network management Mobile ad hoc networking is a hot topic gaining importance in both commercial and military arenas Now that the basics in the field have settled and standards are emerging the time is right for a book on management of these networks From two experts in the field Policy Driven Mobile Ad hoc Network Management provides comprehensive coverage of the management challenges associated with mobile ad hoc networks MANETs and includes an in depth discussion of how policy based network management can be used for increasing automation in the management of mobile ad hoc networks This book provides readers with a complete understanding of mobile ad hoc network management and many related topics including Network management requirements for MANETs with an emphasis on the differences between the management requirements for MANETs as compared to static wireline networks The use of policies for managing MANETs to increase automation and to tie together management components via policies Policy conflict detection and resolution Aspects of MANETs that need to be configured and reconfigured at all layers of the protocol stack Methodologies for providing survivability in the face of both hard and soft failures in MANETs The components

of a Quality of Service QoS management solution for MANETs based on the widely used Differentiated Services DiffServ paradigm Important open research issues in the area of MANET management Policy Driven Mobile Ad hoc Network Management is an ideal resource for professionals researchers and advanced graduate students in the field of IP network management who are interested in mobile ad hoc networks

Well Control for Completions and Interventions Howard Crumpton,2018-04-04 Well Control for Completions and Interventions explores the standards that ensure safe and efficient production flow well integrity and well control for oil rigs focusing on the post Macondo environment where tighter regulations and new standards are in place worldwide Too many training facilities currently focus only on the drilling side of the well s cycle when teaching well control hence the need for this informative guide on the topic This long awaited manual for engineers and managers involved in the well completion and intervention side of a well s life covers the fundamentals of design equipment and completion fluids In addition the book covers more important and distinguishing components such as well barriers and integrity envelopes well kill methods specific to well completion and other forms of operations that involve completion like pumping and stimulation including hydraulic fracturing and shale coiled tubing wireline and subsea intervention Provides a training guide focused on well completion and intervention Includes coverage of subsea and fracturing operations Presents proper well kill procedures Allows readers to quickly get up to speed on today s regulations post Macondo for well integrity barrier management and other critical operation components

Proceedings of the International Field Exploration and Development Conference 2023 Jia'en Lin,2024-03-11 This book focuses on reservoir surveillance and management reservoir evaluation and dynamic description reservoir production stimulation and EOR ultra tight reservoir unconventional oil and gas resources technology oil and gas well production testing and geomechanics This book is a compilation of selected papers from the 13th International Field Exploration and Development Conference IFEDC 2023 The conference not only provides a platform to exchanges experience but also promotes the development of scientific research in oil gas exploration and production The main audience for the work includes reservoir engineer geological engineer enterprise managers senior engineers as well as students

Proceedings - Offshore Technology Conference ,1998 **Federal Register** ,1999-07-08 **A Guide to Coalbed Methane Operations** Vicki A. Hollub,Paul S. Schafer,1992 The Oil and Gas Journal ,1930 **Petroleum Engineering Handbook** Howard B. Bradley,Fred W. Gipson,1987 **Proceedings ... SPE Annual Technical Conference and Exhibition** Society of Petroleum Engineers (U.S.). Technical Conference and Exhibition,1992 **The Standard and Poor's 500 Guide** Standard & Poor's,2005-12 Text and statistical data on 500 individual companies Drilling International ,1967 Petroleum Engineer International ,1982 **Petroleum Engineering Handbook** Larry W. Lake,2006 The Petroleum Engineering Handbook has long been recognized as a valuable comprehensive reference book that offers practical day to day applications for students and experienced engineering professionals alike The Petroleum Engineering Handbook is now a series of 7

volumes Volume IV Production Operations Engineering will bring readers up to date in the areas of design equipment selection and operation procedures for most oil and gas wells Chapters cover three main topic areas well completions problems caused by formation damage and artificial lift a major concern for production engineers **Training Manual**
United States. Army. Signal Corps,1925

Thank you very much for downloading **Wireline Operations Manual**. Maybe you have knowledge that, people have seen numerous times for their favorite books as soon as this Wireline Operations Manual, but stop taking place in harmful downloads.

Rather than enjoying a fine book taking into consideration a mug of coffee in the afternoon, on the other hand they juggled behind some harmful virus inside their computer. **Wireline Operations Manual** is comprehensible in our digital library with an online permission to it is set as public hence you can download it instantly. Our digital library saves in multipart countries, allowing you to acquire the most less latency epoch to download any of our books past this one. Merely said, the Wireline Operations Manual is universally compatible bearing in mind any devices to read.

https://py.bijouxmedusa.com/public/browse/HomePages/Learning_Basics_Review_For_Startups_46_1085_Machine_Learning_Basics.pdf

Table of Contents Wireline Operations Manual

1. Understanding the eBook Wireline Operations Manual
 - The Rise of Digital Reading Wireline Operations Manual
 - Advantages of eBooks Over Traditional Books
2. Identifying Wireline Operations Manual
 - Exploring Different Genres
 - Considering Fiction vs. Non-Fiction
 - Determining Your Reading Goals
3. Choosing the Right eBook Platform
 - Popular eBook Platforms
 - Features to Look for in an Wireline Operations Manual
 - User-Friendly Interface
4. Exploring eBook Recommendations from Wireline Operations Manual
 - Personalized Recommendations

- Wireline Operations Manual User Reviews and Ratings
- Wireline Operations Manual and Bestseller Lists
- 5. Accessing Wireline Operations Manual Free and Paid eBooks
 - Wireline Operations Manual Public Domain eBooks
 - Wireline Operations Manual eBook Subscription Services
 - Wireline Operations Manual Budget-Friendly Options
- 6. Navigating Wireline Operations Manual eBook Formats
 - ePub, PDF, MOBI, and More
 - Wireline Operations Manual Compatibility with Devices
 - Wireline Operations Manual Enhanced eBook Features
- 7. Enhancing Your Reading Experience
 - Adjustable Fonts and Text Sizes of Wireline Operations Manual
 - Highlighting and Note-Taking Wireline Operations Manual
 - Interactive Elements Wireline Operations Manual
- 8. Staying Engaged with Wireline Operations Manual
 - Joining Online Reading Communities
 - Participating in Virtual Book Clubs
 - Following Authors and Publishers Wireline Operations Manual
- 9. Balancing eBooks and Physical Books Wireline Operations Manual
 - Benefits of a Digital Library
 - Creating a Diverse Reading Collection Wireline Operations Manual
- 10. Overcoming Reading Challenges
 - Dealing with Digital Eye Strain
 - Minimizing Distractions
 - Managing Screen Time
- 11. Cultivating a Reading Routine Wireline Operations Manual
 - Setting Reading Goals Wireline Operations Manual
 - Carving Out Dedicated Reading Time
- 12. Sourcing Reliable Information of Wireline Operations Manual
 - Fact-Checking eBook Content of Wireline Operations Manual

- Distinguishing Credible Sources
13. Promoting Lifelong Learning
- Utilizing eBooks for Skill Development
 - Exploring Educational eBooks
14. Embracing eBook Trends
- Integration of Multimedia Elements
 - Interactive and Gamified eBooks

Wireline Operations Manual Introduction

Free PDF Books and Manuals for Download: Unlocking Knowledge at Your Fingertips In today's fast-paced digital age, obtaining valuable knowledge has become easier than ever. Thanks to the internet, a vast array of books and manuals are now available for free download in PDF format. Whether you are a student, professional, or simply an avid reader, this treasure trove of downloadable resources offers a wealth of information, conveniently accessible anytime, anywhere. The advent of online libraries and platforms dedicated to sharing knowledge has revolutionized the way we consume information. No longer confined to physical libraries or bookstores, readers can now access an extensive collection of digital books and manuals with just a few clicks. These resources, available in PDF, Microsoft Word, and PowerPoint formats, cater to a wide range of interests, including literature, technology, science, history, and much more. One notable platform where you can explore and download free Wireline Operations Manual PDF books and manuals is the internet's largest free library. Hosted online, this catalog compiles a vast assortment of documents, making it a veritable goldmine of knowledge. With its easy-to-use website interface and customizable PDF generator, this platform offers a user-friendly experience, allowing individuals to effortlessly navigate and access the information they seek. The availability of free PDF books and manuals on this platform demonstrates its commitment to democratizing education and empowering individuals with the tools needed to succeed in their chosen fields. It allows anyone, regardless of their background or financial limitations, to expand their horizons and gain insights from experts in various disciplines. One of the most significant advantages of downloading PDF books and manuals lies in their portability. Unlike physical copies, digital books can be stored and carried on a single device, such as a tablet or smartphone, saving valuable space and weight. This convenience makes it possible for readers to have their entire library at their fingertips, whether they are commuting, traveling, or simply enjoying a lazy afternoon at home. Additionally, digital files are easily searchable, enabling readers to locate specific information within seconds. With a few keystrokes, users can search for keywords, topics, or phrases, making research and finding relevant information a breeze. This efficiency saves time and effort, streamlining the learning process and allowing individuals to focus on extracting the information they

need. Furthermore, the availability of free PDF books and manuals fosters a culture of continuous learning. By removing financial barriers, more people can access educational resources and pursue lifelong learning, contributing to personal growth and professional development. This democratization of knowledge promotes intellectual curiosity and empowers individuals to become lifelong learners, promoting progress and innovation in various fields. It is worth noting that while accessing free Wireline Operations Manual PDF books and manuals is convenient and cost-effective, it is vital to respect copyright laws and intellectual property rights. Platforms offering free downloads often operate within legal boundaries, ensuring that the materials they provide are either in the public domain or authorized for distribution. By adhering to copyright laws, users can enjoy the benefits of free access to knowledge while supporting the authors and publishers who make these resources available. In conclusion, the availability of Wireline Operations Manual free PDF books and manuals for download has revolutionized the way we access and consume knowledge. With just a few clicks, individuals can explore a vast collection of resources across different disciplines, all free of charge. This accessibility empowers individuals to become lifelong learners, contributing to personal growth, professional development, and the advancement of society as a whole. So why not unlock a world of knowledge today? Start exploring the vast sea of free PDF books and manuals waiting to be discovered right at your fingertips.

FAQs About Wireline Operations Manual Books

How do I know which eBook platform is the best for me? Finding the best eBook platform depends on your reading preferences and device compatibility. Research different platforms, read user reviews, and explore their features before making a choice. Are free eBooks of good quality? Yes, many reputable platforms offer high-quality free eBooks, including classics and public domain works. However, make sure to verify the source to ensure the eBook credibility. Can I read eBooks without an eReader? Absolutely! Most eBook platforms offer webbased readers or mobile apps that allow you to read eBooks on your computer, tablet, or smartphone. How do I avoid digital eye strain while reading eBooks? To prevent digital eye strain, take regular breaks, adjust the font size and background color, and ensure proper lighting while reading eBooks. What the advantage of interactive eBooks? Interactive eBooks incorporate multimedia elements, quizzes, and activities, enhancing the reader engagement and providing a more immersive learning experience. Wireline Operations Manual is one of the best book in our library for free trial. We provide copy of Wireline Operations Manual in digital format, so the resources that you find are reliable. There are also many Ebooks of related with Wireline Operations Manual. Where to download Wireline Operations Manual online for free? Are you looking for Wireline Operations Manual PDF? This is definitely going to save you time and cash in something you should think about. If you trying to find then search around for online.

Without a doubt there are numerous these available and many of them have the freedom. However without doubt you receive whatever you purchase. An alternate way to get ideas is always to check another Wireline Operations Manual. This method for see exactly what may be included and adopt these ideas to your book. This site will almost certainly help you save time and effort, money and stress. If you are looking for free books then you really should consider finding to assist you try this. Several of Wireline Operations Manual are for sale to free while some are payable. If you arent sure if the books you would like to download works with for usage along with your computer, it is possible to download free trials. The free guides make it easy for someone to free access online library for download books to your device. You can get free download on free trial for lots of books categories. Our library is the biggest of these that have literally hundreds of thousands of different products categories represented. You will also see that there are specific sites catered to different product types or categories, brands or niches related with Wireline Operations Manual. So depending on what exactly you are searching, you will be able to choose e books to suit your own need. Need to access completely for Campbell Biology Seventh Edition book? Access Ebook without any digging. And by having access to our ebook online or by storing it on your computer, you have convenient answers with Wireline Operations Manual To get started finding Wireline Operations Manual, you are right to find our website which has a comprehensive collection of books online. Our library is the biggest of these that have literally hundreds of thousands of different products represented. You will also see that there are specific sites catered to different categories or niches related with Wireline Operations Manual So depending on what exactly you are searching, you will be able to choose ebook to suit your own need. Thank you for reading Wireline Operations Manual. Maybe you have knowledge that, people have search numerous times for their favorite readings like this Wireline Operations Manual, but end up in harmful downloads. Rather than reading a good book with a cup of coffee in the afternoon, instead they juggled with some harmful bugs inside their laptop. Wireline Operations Manual is available in our book collection an online access to it is set as public so you can download it instantly. Our digital library spans in multiple locations, allowing you to get the most less latency time to download any of our books like this one. Merely said, Wireline Operations Manual is universally compatible with any devices to read.

Find Wireline Operations Manual :

learning basics review for startups 46-1085 machine learning basics

[blueprint USA 46-2860 affiliate marketing case study for creators](#)

for small business 46-523 online privacy comparison for startups 46-2333

growth for beginners America 46-1763 Instagram growth for beginners for

46-2908 travel tips tools for startups 46-1774 travel tips trends United

**careers comparison for small business 46-1216 data science careers
blueprint for small business 46-719 resume writing case study America
46-2452 content marketing software United States 46-997 content
development checklist for startups 46-2345 chatbot development checklist
electric vehicles software for entrepreneurs 46-1041 electric vehicles
for small business 46-622 data science careers guide for small business
startups 46-1932 career growth strategies for startups 46-1994 career
routines examples for creators 46-447 fitness routines examples for
strategies for creators 46-2227 digital marketing strategies for
USA 46-2783 career growth blueprint for creators 46-1897 career growth**

Wireline Operations Manual :

solange es leicht ist geschichten übers Älterwerden booklooker - Mar 09 2023

web solange es leicht ist geschichten übers Älterwerden bücher gebraucht antiquarisch neu kaufen preisvergleich
käuferschutz wir bücher

solange es leicht ist geschichten übers Älterwerden abebooks - Nov 05 2022

web solange es leicht ist geschichten übers Älterwerden bei abebooks de isbn 10 3426214628 isbn 13 9783426214626
hardcover

solange es leicht ist geschichten übers Älterwerden der - Nov 24 2021

web solange es leicht ist geschichten übers Älterwerden der bekannte niederländische bücher gebraucht antiquarisch neu
kaufen preisvergleich käuferschutz wir bücher

solange es leicht ist geschichten übers Älterwerden bücher - Feb 08 2023

web solange es leicht ist geschichten übers Älterwerden bücher gebraucht antiquarisch neu kaufen preisvergleich
käuferschutz wir bücher

solange es leicht ist geschichten übers Älterwerden - Dec 06 2022

web in solange es leicht ist behandelt herman van veen in autobiographischen schlaglichtern und persönlichen anekdoten auf
die ihm typisch poetisch

solange es leicht ist geschichten ubers alterwerd pdf - Apr 29 2022

web mar 15 2023 solange es leicht ist geschichten ubers alterwerd 1 8 downloaded from uniport edu ng on march 15 2023
by guest solange es leicht ist geschichten ubers

solange es leicht ist geschichten übers älterwerden by herman - May 31 2022

web jun 8 2023 solange es leicht ist geschichten übers älterwerden by herman van veen detailliert hat der holländer noch nie auskunft über sein leben gegeben

solange es leicht ist geschichten übers älterwerden by herman - Aug 02 2022

web jun 3 2023 solange es leicht ist geschichten übers älterwerden by herman van veen solange es leicht ist geschichten übers älterwerden by herman van veen online

zum altwerden ist immer noch zeit kurzgeschichten für senioren - Feb 25 2022

web Über den autor und weitere mitwirkende ursula berg 1938 2021 schrieb kurzgeschichten für zeitschriften anthologien schul und religionsbücher sie wohnte in wuppertal und

solange es leicht ist geschichten übers Älterwerden booklooker - Apr 10 2023

web solange es leicht ist geschichten übers Älterwerden der bekannte niederländische liedermacher über das Älterwerden veen herman van knaur hc 2019 gebundene

lustige geschichten für senioren unsere besten kostenlos - Jan 27 2022

web nov 11 2017 lustige geschichten kann man bei fast jeder gelegenheit einbauen und es ist doch immer schön wenn man den zuhörer ein kleines schmunzeln oder vielleicht

solange es leicht ist geschichten übers Älterwerden der - Aug 14 2023

web solange es leicht ist geschichten übers Älterwerden der bekannte niederländische liedermacher über das Älterwerden veen herman van woitkewitsch thomas isbn

solange es leicht ist geschichten übers Älterwerden der - May 11 2023

web apr 26 2019 in solange es leicht ist behandelt herman van veen in autobiographischen schlaglichtern und persönlichen anekdoten auf die ihm typisch

geschichten für senioren elkes kindergeschichten - Dec 26 2021

web sep 6 2023 sommerregen regensommer sommerwettergedicht für groß und klein worte auf der goldwaage vom mut auch unbequeme gedanken auszusprechen

solange es leicht ist geschichten übers Älterwerden veen - Oct 04 2022

web solange es leicht ist geschichten übers Älterwerden finden sie alle bücher von veen herman van bei der büchersuchmaschine eurobuch com können sie antiquarische und

solange es leicht ist geschichten übers älterwerden by herman - Oct 24 2021

web solange es leicht ist geschichten übers älterwerden by herman van veen author laurenz schierokauer from network eve gd subject solange es leicht ist

solange es leicht ist geschichten übers Älterwerden abebooks - Jan 07 2023

web abebooks com solange es leicht ist geschichten übers Älterwerden 9783426214626 by veen herman van and a great selection of similar new used and collectible books

solange es leicht ist geschichten übers Älterwerden der - Jun 12 2023

web in solange es leicht ist behandelt herman van veen in autobiographischen schlaglichtern und persönlichen anekdoten auf die ihm typisch poetisch

solange es leicht ist geschichten ubers alterwerd copy - Mar 29 2022

web solange es leicht ist geschichten ubers alterwerd 1 7 downloaded from uniport edu ng on june 27 2023 by guest solange es leicht ist geschichten ubers alterwerd as

solange es leicht ist by herman van veen overdrive ebooks - Sep 03 2022

web apr 26 2019 in solange es leicht ist behandelt herman van veen in autobiographischen schlaglichtern und persönlichen anekdoten auf die ihm typisch

herman van veen solange es leicht ist geschichten übers - Jul 13 2023

web aug 31 2021 das Älterwerden beginnt mit dem tag der geburt und endet mit dem tod dazwischen geschieht so allerlei in seinem buch solange es leicht ist geschichten

solange es leicht ist geschichten übers älterwerden by herman - Jul 01 2022

web solange es leicht ist geschichten übers älterwerden by herman van veen durch alien solchen jahrmarktsfitter in seiner diirftigkeit durchscheint und wie man es auch farbe und

liebe geht durch die haut die naturgeschichte des - Aug 17 2022

web liebe geht durch die haut die naturgeschichte des intimverhaltens finden sie alle bücher von morris desmond bei der büchersuchmaschine eurobuch ch können sie

liebe geht durch die haut die naturgeschichte des - May 26 2023

web liebe geht durch die haut die naturgeschichte des intimverhaltens on amazon com free shipping on qualifying offers

liebe geht durch die haut die naturgeschichte

liebe geht durch die haut die naturgeschichte des - Feb 23 2023

web liebe geht durch die haut die naturgeschichte des intimverhaltens buch gebraucht kaufen möchten sie selbst gebrauchte bücher verkaufen so einfach geht s

liebe geht durch die haut die naturgeschichte des intimverhaltens - Jan 10 2022

web liebe geht durch die haut die naturgeschichte des intimverhaltens isbn kostenloser versand für alle bücher mit versand und verkauf duch amazon

liebe geht durch die haut die naturgeschichte des - Oct 19 2022

web liebe geht durch die haut die naturgeschichte des intimverhaltens bücher gebraucht antiquarisch neu kaufen
preisvergleich käuferschutz wir bücher

desmond morris liebe geht durch die haut die - Jul 28 2023

web desmond morris liebe geht durch die haut die naturgeschichte des intimverhaltens desmond morris isbn 9783426003992
kostenloser versand für alle bücher mit

liebe geht durch die haut die naturgeschichte des - Feb 11 2022

web liebe geht durch die haut die naturgeschichte des intimverhaltens isbn 9783858860019 kostenloser versand für alle
bücher mit versand und verkauf duch

liebe geht durch den magen vegan world - Jun 15 2022

web apr 25 2017 april 2017 liebe geht durch den magen wo kommt diese weisheit eigentlich her und was ist dran woher es
kommt der genaue ursprung ist nicht

liebe geht durch die haut die naturgeschichte des abebooks - Mar 24 2023

web liebe geht durch die haut die naturgeschichte des intimverhaltens bei abebooks de isbn 10 3426033992 isbn 13
9783426033999 softcover die naturgeschichte des

liebe geht durch den garten roman kindle ausgabe amazon de - May 14 2022

web liebe geht durch den garten ist romantisch und humorvoll aber sie behandeln darin auch tiefgründige themen wie
mutterschaft selbstfindung partnersuche und

desmond morris wikiquote - Jun 27 2023

web isbn 3 858 86001 8 Übersetzer holger fließbach je vertrauter und alltäglicher eine verhaltensweise ist desto
problematischer wird ihre analyse liebe geht durch die

liebe geht haut naturgeschichte zvab - Nov 20 2022

web liebe geht durch die haut die naturgeschichte des intimverhaltens und eine große auswahl ähnlicher bücher kunst und
sammlerstücke erhältlich auf zvab com

liebe geht durch die haut die naturgeschichte des - Aug 29 2023

web liebe geht durch die haut die naturgeschichte des intimverhaltens knaur taschenbücher sachbücher morris desmond
isbn 9783426033999 kostenloser

liebe geht durch den magen wikipedia - Apr 13 2022

web liebe geht durch den magen wurde osbornes erste regie und drehbucharbeit der film wurde mit meander
computeranimiert das zuvor bereits bei im flug erobert genutzt

[9783858860019 liebe geht durch die haut die naturgeschichte](#) - Jan 22 2023

web liebe geht durch die haut die naturgeschichte des intimverhaltens finden sie alle bücher von morris desmond bei der büchersuchmaschine eurobuch de können sie

liebe geht durch die haut die naturgeschichte des inti - Sep 18 2022

web liebe geht durch die haut die naturgeschichte des intimverhaltens desmond morris 0 00 0

[liebe geht durch die haut die naturgeschichte d](#) - Jul 16 2022

web liebe geht durch die haut die naturgeschichte d intimverhaltens isbn kostenloser versand für alle bücher mit versand und verkauf duch amazon

liebe geht durch den garten roman amazon de - Mar 12 2022

web das ist es wonach sich immer mehr menschen in dieser hektischen zeit sehnen liebe geht durch den garten ist romantisch und humorvoll aber sie behandeln darin auch

liebe geht durch die haut die naturgeschichte des eurobuch - Dec 21 2022

web liebe geht durch die haut die naturgeschichte des intimverhaltens finden sie alle bücher von desmond morris bei der büchersuchmaschine eurobuch com können sie

liebe geht durch die haut die naturgeschichte des bücher - Apr 25 2023

web liebe geht durch die haut die naturgeschichte des bücher gebraucht antiquarisch neu kaufen preisvergleich käuferschutz wir bücher

[le pire des mondes possibles mike davis la découverte lisez](#) - Jun 19 2023

web dans le pire des mondes possibles mike davis propose un effrayant tableau de la prolifération des zones urbaines dans les pays en voie de développement un phénomène qui va de pair avec un accroissement exponentiel de la misère

le pire des mondes possibles mike davis senscritique - Apr 17 2023

web critique de l urbanisme et politiques de la domination la modeste bibliothèque d un chinois pas comme les autres voir plus de listes le pire des mondes possibles est un livre de mike davis résumé pour mortels et dangereux qu ils soient les bidonvilles ont devant eux un avenir resplendissant

le pire des mondes possibles de mike davis résumé sur dygest - Aug 21 2023

web le pire des mondes possibles est un ouvrage majeur pour la compréhension du phénomène global que représente l explosion du nombre de bidonvilles dans les villes des pays en voie de développement en regroupant de nombreuses études mike davis développe donc une rare étude comparative des bidonvilles

[amazon fr le pire des mondes possibles](#) - Jul 08 2022

web il suffit d une rencontre pour changer de vie le premier roman de l entrepreneur qui inspire des milliers de personnes

sur le web de anthony nevo 4 5 sur 5 étoiles 1 151

le pire des mondes possibles openedition journals - Mar 16 2023

web 5le pire des mondes possibles est en fait un ouvrage qui défend passionnément la cause des citadins pauvres contrairement au présupposé que son titre français laisse entendre c est un livre frappant par moment irritant par son ton excessif mais dont la lecture s avère très enrichissante

le pire des mondes possibles de l explosion urbai copy - Sep 10 2022

web le pire des mondes possibles de l explosion urbai from cosmopolitanism to human rights sep 22 2021 this book explores a democratic theory of international law characterised by a back and forth between theory and practice it explores the question from two perspectives a theoretical level which reflects and

le pire des mondes possibles fnac - May 18 2023

web le pire des mondes possibles explore cette réalité urbaine méconnue et explosive pour mortels et dangereux qu'ils soient les bidonvilles ont devant eux un avenir resplendissant des taudis de lima aux collines d ordures de manille des bidonvilles marécageux de lagos à la vieille ville de pékin on assiste à l extension caractéristiques

le pire des mondes possible ouvrages lectures academia edu - May 06 2022

web dans le pire des mondes possibles de mike davis traduit de l anglais par jacques mailhos et publié en 2006 l auteur nous propose un ouvrage d actualité d un monde où se prolifère une marginalité planétaire même si elle n est pas tissée de la même étoffe

leibniz et le meilleur des mondes possibles by rateau paul - Mar 04 2022

web the affirmation of the existence of the best of all possible worlds is one of leibniz s best known and doubtless least understood theses this work explains what it means shows what theoretical foundations it rests on and considers its implications on the metaphysical and moral level

pdf le pire des mondes possibles researchgate - Nov 12 2022

web may 19 2009 dans le pire des mondes possibles de mike davis traduit de l anglais par jacques mailhos et publié en 2006 l auteur nous propose un ouvrage d actualité d un monde où se

le pire des mondes possibles de l explosion de mike davis - Oct 11 2022

web sep 13 2007 le pire des mondes possibles explore cette réalité urbaine méconnue et explosive laissant entrevoir à l échelle planétaire un avenir cauchemardesque sommaire la climatologie urbaine la prédominance des bidonvilles la trahison de l état illusions de l autonomie haussmann sous les tropiques l écologie du bidonville la mise au pas du

le pire des mondes possibles de l explosion urbaine au - Jan 14 2023

web des taudis de lima aux collines d ordures de manille des bidonvilles marécageux de lagos à la vieille ville de pékin on

assiste à l'extension exponentielle des mégapoles du tiers monde produits d'un exode rural mal maîtrisé

le pire des mondes possibles éditionsladecouverte fr - Jun 07 2022

web le pire des mondes possibles de l'explosion urbaine au bidonville global traduit de l'anglais États unis par jacques mailhos ouvrage traduit avec le concours du centre national du livre ouvrage initialement publié sous le titre planet of slums par les éditions verso en 2006 isbn 10 2 7071 4915 2 isbn 13 978 2 7071 4915 2

[amazon fr le pire des mondes possibles davis mike mailhos](#) - Sep 22 2023

web bien loin des villes de lumière imaginées par les urbanistes le monde urbain du xxi^e siècle ressemblera de plus en plus à celui du xix^e avec ses quartiers sordides dépeints par dickens zola ou gorki le pire des mondes possibles explore cette réalité urbaine méconnue et explosive

le pire des mondes possibles mike davis Éditions la découverte - Oct 23 2023

web un milliard de personnes survivent dans les bidonvilles du monde lieux de reproduction de la misère à laquelle les gouvernements n'apportent aucune réponse adaptée désormais les habitants mettent en péril leur vie dans

le pire des mondes possibles fnac - Dec 13 2022

web le pire des mondes possibles occasion État correct parfait 44 44 très bon 39 99 bon 3 25 correct 1 19 vendu et expédié par bouquineriesart 4 5 63 202 ventes pays d'expédition france métropolitaine commentaires du

sécheresse pourquoi les pénuries d'eau augmentent le risque de - Apr 05 2022

web aug 28 2021 des niveaux sans précédent de construction de barrages et d'extraction d'eau par les nations sur les grands fleuves laissent les pays plus en aval de plus en plus assoiffés augmentant le

le pire des mondes possibles davis mike 9782707152893 - Feb 15 2023

web le pire des mondes possibles by davis mike isbn 10 2707152897 isbn 13 9782707152893 la découverte 2007

le pire des mondes possibles de l'explosion mike davis - Aug 09 2022

web le pire des mondes possibles de l'explosion urbaine au bidonville global de plongez vous dans le livre mike davis au format poche ajoutez le à votre liste de souhaits ou abonnez vous à l'auteur mike davis livraison gratuite à 0 01 dès 35 d'achat

le pire des mondes possibles cairn info - Jul 20 2023

web auteur file download télécharger 1 le pire des mondes possibles explore une réalité urbaine trop souvent négligée l'explosion des bidonvilles dans les pays en développement qui n'a rien à voir avec le développement urbain en europe au xix^e siècle