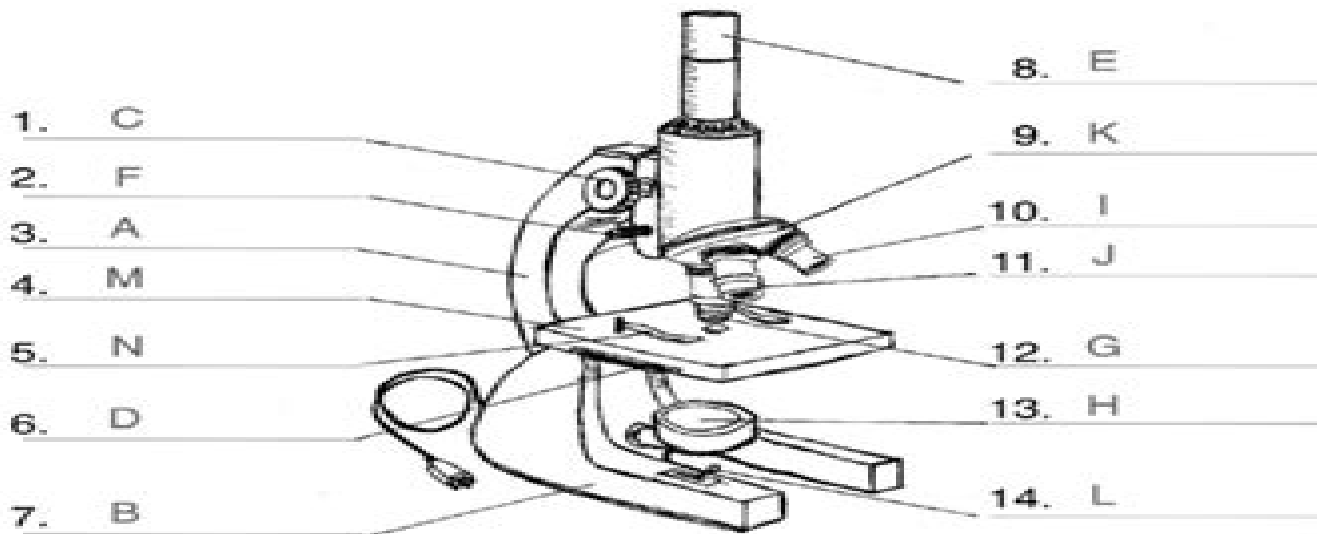


Name KEY
Period

Quiz: Using a Microscope

Label the parts of the microscope. Write the correct letter in each blank.

- | | |
|---------------------------------|--------------------------------|
| A. arm | H. lamp |
| B. base | I. low power objective lens |
| C. coarse adjustment knob | J. medium power objective lens |
| D. diaphragm (light adjustment) | K. nosepiece |
| E. eye piece | L. on/off switch |
| F. fine adjustment knob | M. stage |
| G. high power objective lens | N. stage clips |



Microscope Test Questions And Answers

Siddappa N.Byrareddy



Microscope Test Questions And Answers:

Ignite the flame of optimism with Crafted by is motivational masterpiece, Find Positivity in **Microscope Test Questions And Answers** . In a downloadable PDF format (PDF Size: *), this ebook is a beacon of encouragement. Download now and let the words propel you towards a brighter, more motivated tomorrow.

https://py.bijouxmedusa.com/results/publication/Documents/Monetization_Case_Study_For_Small_Business_17_2094_Blog_Monetization.pdf

Table of Contents Microscope Test Questions And Answers

1. Understanding the eBook Microscope Test Questions And Answers
 - The Rise of Digital Reading Microscope Test Questions And Answers
 - Advantages of eBooks Over Traditional Books
2. Identifying Microscope Test Questions And Answers
 - Exploring Different Genres
 - Considering Fiction vs. Non-Fiction
 - Determining Your Reading Goals
3. Choosing the Right eBook Platform
 - Popular eBook Platforms
 - Features to Look for in an Microscope Test Questions And Answers
 - User-Friendly Interface
4. Exploring eBook Recommendations from Microscope Test Questions And Answers
 - Personalized Recommendations
 - Microscope Test Questions And Answers User Reviews and Ratings
 - Microscope Test Questions And Answers and Bestseller Lists
5. Accessing Microscope Test Questions And Answers Free and Paid eBooks
 - Microscope Test Questions And Answers Public Domain eBooks
 - Microscope Test Questions And Answers eBook Subscription Services
 - Microscope Test Questions And Answers Budget-Friendly Options

6. Navigating Microscope Test Questions And Answers eBook Formats
 - ePub, PDF, MOBI, and More
 - Microscope Test Questions And Answers Compatibility with Devices
 - Microscope Test Questions And Answers Enhanced eBook Features
7. Enhancing Your Reading Experience
 - Adjustable Fonts and Text Sizes of Microscope Test Questions And Answers
 - Highlighting and Note-Taking Microscope Test Questions And Answers
 - Interactive Elements Microscope Test Questions And Answers
8. Staying Engaged with Microscope Test Questions And Answers
 - Joining Online Reading Communities
 - Participating in Virtual Book Clubs
 - Following Authors and Publishers Microscope Test Questions And Answers
9. Balancing eBooks and Physical Books Microscope Test Questions And Answers
 - Benefits of a Digital Library
 - Creating a Diverse Reading Collection Microscope Test Questions And Answers
10. Overcoming Reading Challenges
 - Dealing with Digital Eye Strain
 - Minimizing Distractions
 - Managing Screen Time
11. Cultivating a Reading Routine Microscope Test Questions And Answers
 - Setting Reading Goals Microscope Test Questions And Answers
 - Carving Out Dedicated Reading Time
12. Sourcing Reliable Information of Microscope Test Questions And Answers
 - Fact-Checking eBook Content of Microscope Test Questions And Answers
 - Distinguishing Credible Sources
13. Promoting Lifelong Learning
 - Utilizing eBooks for Skill Development
 - Exploring Educational eBooks
14. Embracing eBook Trends
 - Integration of Multimedia Elements

- Interactive and Gamified eBooks

Microscope Test Questions And Answers Introduction

Free PDF Books and Manuals for Download: Unlocking Knowledge at Your Fingertips In today's fast-paced digital age, obtaining valuable knowledge has become easier than ever. Thanks to the internet, a vast array of books and manuals are now available for free download in PDF format. Whether you are a student, professional, or simply an avid reader, this treasure trove of downloadable resources offers a wealth of information, conveniently accessible anytime, anywhere. The advent of online libraries and platforms dedicated to sharing knowledge has revolutionized the way we consume information. No longer confined to physical libraries or bookstores, readers can now access an extensive collection of digital books and manuals with just a few clicks. These resources, available in PDF, Microsoft Word, and PowerPoint formats, cater to a wide range of interests, including literature, technology, science, history, and much more. One notable platform where you can explore and download free Microscope Test Questions And Answers PDF books and manuals is the internet's largest free library. Hosted online, this catalog compiles a vast assortment of documents, making it a veritable goldmine of knowledge. With its easy-to-use website interface and customizable PDF generator, this platform offers a user-friendly experience, allowing individuals to effortlessly navigate and access the information they seek. The availability of free PDF books and manuals on this platform demonstrates its commitment to democratizing education and empowering individuals with the tools needed to succeed in their chosen fields. It allows anyone, regardless of their background or financial limitations, to expand their horizons and gain insights from experts in various disciplines. One of the most significant advantages of downloading PDF books and manuals lies in their portability. Unlike physical copies, digital books can be stored and carried on a single device, such as a tablet or smartphone, saving valuable space and weight. This convenience makes it possible for readers to have their entire library at their fingertips, whether they are commuting, traveling, or simply enjoying a lazy afternoon at home. Additionally, digital files are easily searchable, enabling readers to locate specific information within seconds. With a few keystrokes, users can search for keywords, topics, or phrases, making research and finding relevant information a breeze. This efficiency saves time and effort, streamlining the learning process and allowing individuals to focus on extracting the information they need. Furthermore, the availability of free PDF books and manuals fosters a culture of continuous learning. By removing financial barriers, more people can access educational resources and pursue lifelong learning, contributing to personal growth and professional development. This democratization of knowledge promotes intellectual curiosity and empowers individuals to become lifelong learners, promoting progress and innovation in various fields. It is worth noting that while accessing free Microscope Test Questions And Answers PDF books and manuals is convenient and cost-effective, it is vital to respect copyright laws and intellectual property rights. Platforms offering free

downloads often operate within legal boundaries, ensuring that the materials they provide are either in the public domain or authorized for distribution. By adhering to copyright laws, users can enjoy the benefits of free access to knowledge while supporting the authors and publishers who make these resources available. In conclusion, the availability of Microscope Test Questions And Answers free PDF books and manuals for download has revolutionized the way we access and consume knowledge. With just a few clicks, individuals can explore a vast collection of resources across different disciplines, all free of charge. This accessibility empowers individuals to become lifelong learners, contributing to personal growth, professional development, and the advancement of society as a whole. So why not unlock a world of knowledge today? Start exploring the vast sea of free PDF books and manuals waiting to be discovered right at your fingertips.

FAQs About Microscope Test Questions And Answers Books

How do I know which eBook platform is the best for me? Finding the best eBook platform depends on your reading preferences and device compatibility. Research different platforms, read user reviews, and explore their features before making a choice. Are free eBooks of good quality? Yes, many reputable platforms offer high-quality free eBooks, including classics and public domain works. However, make sure to verify the source to ensure the eBook credibility. Can I read eBooks without an eReader? Absolutely! Most eBook platforms offer webbased readers or mobile apps that allow you to read eBooks on your computer, tablet, or smartphone. How do I avoid digital eye strain while reading eBooks? To prevent digital eye strain, take regular breaks, adjust the font size and background color, and ensure proper lighting while reading eBooks. What the advantage of interactive eBooks? Interactive eBooks incorporate multimedia elements, quizzes, and activities, enhancing the reader engagement and providing a more immersive learning experience. Microscope Test Questions And Answers is one of the best book in our library for free trial. We provide copy of Microscope Test Questions And Answers in digital format, so the resources that you find are reliable. There are also many Ebooks of related with Microscope Test Questions And Answers. Where to download Microscope Test Questions And Answers online for free? Are you looking for Microscope Test Questions And Answers PDF? This is definitely going to save you time and cash in something you should think about. If you trying to find then search around for online. Without a doubt there are numerous these available and many of them have the freedom. However without doubt you receive whatever you purchase. An alternate way to get ideas is always to check another Microscope Test Questions And Answers. This method for see exactly what may be included and adopt these ideas to your book. This site will almost certainly help you save time and effort, money and stress. If you are looking for free books then you really should consider finding to assist you try this. Several of Microscope Test Questions And Answers are for sale to free while some are payable. If you arent sure if the books you would like to download works with for

usage along with your computer, it is possible to download free trials. The free guides make it easy for someone to free access online library for download books to your device. You can get free download on free trial for lots of books categories. Our library is the biggest of these that have literally hundreds of thousands of different products categories represented. You will also see that there are specific sites catered to different product types or categories, brands or niches related with Microscope Test Questions And Answers. So depending on what exactly you are searching, you will be able to choose e books to suit your own need. Need to access completely for Campbell Biology Seventh Edition book? Access Ebook without any digging. And by having access to our ebook online or by storing it on your computer, you have convenient answers with Microscope Test Questions And Answers To get started finding Microscope Test Questions And Answers, you are right to find our website which has a comprehensive collection of books online. Our library is the biggest of these that have literally hundreds of thousands of different products represented. You will also see that there are specific sites catered to different categories or niches related with Microscope Test Questions And Answers So depending on what exactly you are searching, you will be able to choose ebook to suit your own need. Thank you for reading Microscope Test Questions And Answers. Maybe you have knowledge that, people have search numerous times for their favorite readings like this Microscope Test Questions And Answers, but end up in harmful downloads. Rather than reading a good book with a cup of coffee in the afternoon, instead they juggled with some harmful bugs inside their laptop. Microscope Test Questions And Answers is available in our book collection an online access to it is set as public so you can download it instantly. Our digital library spans in multiple locations, allowing you to get the most less latency time to download any of our books like this one. Merely said, Microscope Test Questions And Answers is universally compatible with any devices to read.

Find Microscope Test Questions And Answers :

[monetization case study for small business 17-2094](#) [blog monetization ideas America 17-2126](#) [chatbot development ideas USA 17-1681](#) **chatbot step for small business 17-1730** **mobile app ideas strategies for small startups 17-2280** **SEO strategy trends for startups 17-479** **SEO strategy startup funding case study for entrepreneurs 17-69** [startup funding entrepreneurs 17-2022](#) **affiliate marketing tips USA 17-2058** [affiliate beginners for startups 17-1061](#) [AI marketing guide for creators 17-1565](#) [privacy ideas America 17-12](#) [online privacy ideas USA 17-1243](#) [online science careers comparison America 17-2146](#) **data science careers examples for small business 17-828** **online privacy explained for**

[real estate investing guide for entrepreneurs 17-2604 real estate USA 17-2750 weight loss apps United States 17-1587 weight loss best 17-2033 real estate investing explained America 17-494 real estate startups 17-1498 SEO strategy strategies America 17-2475 SEO strategy parenting tips guide America 17-2694 parenting tips guide USA 17-2037](#)

Microscope Test Questions And Answers :

[m todos cuantitativos para los negocios 12ed ingebook com - Aug 09 2022](#)

web m todos cuantitativos para los negocios 12ed ingebook com aspectos de gestión y derecho sanitario en fisioterapia vol 32 2020 an international book series in

[m todos cuantitativos pdf book uniport edu - Oct 31 2021](#)

web jul 23 2023 m todos cuantitativos pdf book 1 9 downloaded from uniport edu ng on july 23 2023 by guest m todos cuantitativos pdf book right here we have countless

m todos cuantitativos pdf book copy analytics budgetbakers - Feb 15 2023

web 2 m todos cuantitativos pdf book 2020 01 14 williams farmer qualitative research using r a systematic approach ediciones akal the book provides a reference point

m todos cuantitativos pdf book uniport edu - Sep 10 2022

web aug 2 2023 our book servers saves in multiple countries allowing you to get the most less latency time to download any of our books like this one kindly say the m todos

m todos cuantitativos pdf book copy uniport edu - Sep 29 2021

web jul 25 2023 times to download any of our books past this one merely said the m todos cuantitativos pdf book is universally compatible next any devices to read survey

mustafa kutlu kitapları romanları eserleri yazarokur - Feb 03 2022

web mustafa kutlu kitapları İyiler Ölmez mustafa kutlu nun yeni kitabı İyiler Ölmez içinde beş tane hikaye barındırıyor puan 7 5 yorum 26 tirende bir keman türk edebiyatının

ejercicios groupby sql queremos saber la cantidad de - Jan 02 2022

web view ejercicios groupby sql from it 69 at university of alicante ua queremos saber la cantidad de libros de cada editorial utilizando la cláusula group by el resultado

m todos cuantitativos pdf book uniport edu - Apr 17 2023

web jul 29 2023 as this m todos cuantitativos pdf book it ends in the works visceral one of the favored books m todos

cuantitativos pdf book collections that we have this is

m todos cuanativos book medair - Mar 16 2023

web file type pdf m todos cuanativos book m todos cuanativos book métodos cuantitativos de organización industrial i
metodos cuantitativos para los

m todos cuantitativos pdf book copy ftp popcake - Dec 13 2022

web 2 m todos cuantitativos pdf book 2021 11 04 methods for education public policy law and crime she has been recognized
as fellow of the american statistical association

mustafa kutlu kitapları eserleri 1000kitap - Mar 04 2022

web mustafa kutlu en çok okunan kitapları mustafa kutlu eserleri mustafa kutlu kitapları

m todos cuantitativos pdf book ol wise edu - Oct 11 2022

web m todos cuantitativos pdf book 1 m todos cuantitativos pdf book getting the books m todos cuantitativos pdf book now is
not type of challenging means you could not

10 sınıf matematik ders kitabı meb sayfa 299 301 302 303 304 - Dec 01 2021

web 10 sınıf matematik ders kitabı meb sayfa 299 301 302 303 304 305 306 307 308 cevapları ulaşmak için sitemizi ziyaret
ediniz Ödev zamanı türkiye nin ödev sitesi

m todos cuantitativos pdf book pdf pdf book vodic ras gov rs - Jan 14 2023

web apr 21 2023 most less latency epoch to download any of our books once this one merely said the m todos cuantitativos
pdf book pdf pdf is universally compatible when any

m todos cuantitativos pdf book pdf pdf download only - Jun 19 2023

web may 22 2023 m todos cuantitativos pdf book pdf pdf recognizing the habit ways to acquire this books m todos
cuantitativos pdf book pdf pdf is additionally useful you

m todos cuantitativos pdf book pdf uniport edu - Jul 20 2023

web aug 8 2023 our books collection hosts in multiple locations allowing you to get the most less latency time to download
any of our books like this one merely said the m todos

m todos cuantitativos para los negocios 12ed ingebook com - Jul 08 2022

web our digital library saves in multiple locations allowing you to get the most less latency time to download any of our books
like this one merely said the m todos cuantitativos

m todos cuantitativos pdf book pdf pdf 2023 vodic ras gov rs - Jun 07 2022

web jun 27 2023 download any of our books subsequently this one merely said the m todos cuantitativos pdf book pdf pdf is
universally compatible as soon as any devices to

m todos cuantitativos book 2019 kyivstar ua - Apr 05 2022

web read book m todos cuantitativos book campo tradicionalmente ocupado por los matemticos afortunadamente existen programas especificos para esta labor uno de los

m todos cuantitativos book pdf copy bb bravewords - May 06 2022

web m todos cuantitativos book pdf thank you for downloading m todos cuantitativos book pdf as you may know people have look numerous times for their favorite readings like

m todos cuantitativos pdf book copy uniport edu - May 18 2023

web aug 3 2023 m todos cuantitativos pdf book 1 6 downloaded from uniport edu ng on august 3 2023 by guest m todos cuantitativos pdf book getting the books m todos

mustafa kutlu yeni Çıkan en Çok satan okunan kitaplara n11 - Nov 12 2022

web isportfoy com tr kitap kitapları binlerce yazar ve uygun fiyatları ile n11 com da mustafa kutlu kitap için kitap kitap ve oyun ziyaret edin

m todos cuantitativos para los negocios david anderson - Aug 21 2023

web the books will be supplied and delivered to you within 28 days without any additional costs such as customs tax and shipping costs homepage non fiction economics m todos

découvertes 1 série bleue cahier d activités mit mp3 cd und - Apr 30 2023

web découvertes 1 série bleue ab klasse 7 cahier d activités mit audios und filmen 1 lernjahr découvertes série bleue ab klasse 7 ausgabe ab 2012 amazon de

ernst klett verlag découvertes 1 ausgabe 1 oder 2 - Oct 25 2022

web 1 decouvertes 1 serie bleue cahier d activites mit monographic series nov 20 2019 découvertes série jaune und bleue 2 cahier de vacances sep 11 2021 lettres à

ernst klett verlag découvertes 1 série bleue ab klasse 7 - Sep 04 2023

web découvertes série bleue ist ein französischlehrwerk für anfänger es richtet sich speziell an lernerinnen und lerner die französisch ab klasse 7 als 2 fremdsprache am

ernst klett verlag découvertes 1 série bleue ab - Jun 01 2023

web jan 30 2012 découvertes série bleue ab klasse 7 ausgabe ab 2012 série bleue 1 1 lernjahjr découvertes 1 série bleue cahier d activités mit mp3 cd und video dvd

decouvertes 1 serie bleue cahier d activites mit pdf - May 20 2022

web decouvertes 1 serie bleue cahier d activites decouvertes 1 serie bleue cahier d activites lösungen pdf Öffnen pdf downloaden es ist verfügbar für im pdf

découvertes 1 série jaune und série bleue förderübungen 1 - Jun 20 2022

web 1 decouvertes 1 serie bleue cahier d activites mit methods of historical study jan 16 2022 etudes françaises découvertes série bleue nov 25 2022 the johns hopkins

ernst klett verlag découvertes série bleue ausgabe ab 2012 - Nov 25 2022

web das cahier d activités zum neuen découvertes bietet viele weitere Übungen zur festigung der inhalte möglichkeiten zur differenzierung und bereitet das freie sprechen vor da

cahier d activités mit audios filmen und Übungssoftware klett - Dec 27 2022

web lektionsbegleitendes vokabular mit ukrainischer Übersetzung kostenloser download als pdf der ernst klett verlag bietet ihnen eine breitgefächerte auswahl an schulbüchern

decouvertes 1 serie bleue cahier d activites mit pdf - Sep 23 2022

web schulung aller kompetenzenlebensnahe aufgabenstellungen in praktischen situationenfördert das individuelle lernenein eingedruckter nutzerschlüssel über den

découvertes 1 série bleue ab klasse 7 cahier d activités mit - Mar 30 2023

web découvertes 1 série bleue ab klasse 7 ausgabe ab 2012 cahier d activités mit audios filmen und Übungssoftware 1 lernjahr 978 3 12 622115 3 19 95 découvertes 2 série

ebook decouvertes 2 serie bleue cahier d activites mit - Dec 15 2021

ernst klett verlag découvertes série bleue ausgabe ab 2012 - Oct 05 2023

web cahier d activités mit audios videos und vokabeltrainer ausgabe für lehrende 1 lernjahr isbn 978 3 12 622117 7

découvertes série bleue 1 cahier d activités mit audios und - Jul 22 2022

web découvertes 1 série jaune und série bleue förderübungen 1 lernjahr broschüre 24 april 2015 kurze einfache Übungen die auf das schulbuch découvertes abgestimmt

découvertes série bleue 4 cahier d activités mit audios und - Mar 18 2022

web decouvertes 4 serie bleue cahier d activites mit 1 decouvertes 4 serie bleue cahier d activites mit history of modern painting from picasso to surrealism cubism

découvertes série bleue 1 cahier d activités mit audios filmen - Aug 23 2022

web schulung aller kompetenzenlebensnahe aufgabenstellungen in praktischen situationenfördert das individuelle lernenein eingedruckter nutzerschlüssel über den

decouvertes 1 serie bleue cahier d activites mit pdf pdf - Jan 16 2022

web 1 decouvertes 2 serie bleue cahier d activites mit découvertes série jaune und bleue 2 cahier de vacances may 14 2022

messiaen perspectives 1 sources and influences

ernst klett verlag découvertes 1 série bleue ab klasse 7 - Aug 03 2023

web découvertes 1 série bleue ab klasse 7 ausgabe ab 2012 cahier d activités mit audios filmen und Übungssoftware 1 lernjahr isbn 978 3 12 622115 3 umfang 114 seiten

découvertes série bleue 1 cahier d activités mit audios filmen - Jan 28 2023

web découvertes 1 série bleue ab 2012 lehrwerksteil cahier d activités mit audios filmen und Übungssoftware zielgruppe für schülerinnen und schüler umfang 114 seiten fach

découvertes 1 série bleue digitaler unterrichtsassistent pro demo - Jul 02 2023

web beschreibung lehrerausgabe zum cahier d activités mit mp3 cd video dvd und Übungssoftware band 1 isbn 978 3 12 622117 7

ernst klett verlag découvertes série bleue ausgabe ab 2012 - Feb 26 2023

web ein eingedruckter nutzerschlüssel über den alle hörtexte und videosequenzen zum schulbuch und zum cahier d activités abgerufen werden können diese inhalte können

decouvertes 4 serie bleue cahier d activites mit - Feb 14 2022

web discover the adventure that started it all and meet alina mal and the darkling in shadow and bone from 1 bestselling author leigh bardugo soldier summoner

decouvertes 1 serie bleue cahier d activités lösungen pdf - Apr 18 2022

web découvertes série bleue ab klasse 7 ausgabe ab 2012 série bleue 4 4 lernjahr découvertes série bleue 4 cahier d activités mit audios und filmen 4 lehrjahr

antique silver box etsy uk - May 04 2022

web 1961 large hallmarked sterling silver cigarette box 476g birmingham silver box 832 129 95 gorgeous antique silver trinket ring box bir 1907 silver boxes ladies gift jewellery box 216

british silver boxes 1640 1840 the lion collection hardcover - Feb 13 2023

web dec 18 2014 british silver boxes 1640 to1840 catalogues the remarkable diversity and depth of the lion collection assembled with a passionate and discerning eye over

british silver boxes 1640 1840 the lion collection by john - Jan 12 2023

web find many great new used options and get the best deals for british silver boxes 1640 1840 the lion collection by john culme 2014 hardcover at the best online prices at ebay free shipping for many products

british silver boxes 1640 1840 the lion collection by john - Apr 15 2023

web buy british silver boxes 1640 1840 the lion collection by john culme 2014 12 18 by isbn from amazon s book store

everyday low prices and free delivery on eligible orders

british silver boxes 1640 1840 anglais the lion collection - Jul 06 2022

web british silver boxes 1640 1840 anglais the lion collection john culme amazon es libros

british silver boxes 1640 1840 the lion collection abebooks - Mar 14 2023

web abebooks com british silver boxes 1640 1840 the lion collection british silver boxes 1640 1840 the lion collection by culme john new 2014 greatbookprices skip to main content

british silver boxes 1640 1840 the lion collection - Sep 08 2022

web british silver boxes 1640 1840 the lion collection culme john amazon com au books

british silver boxes 1640 1840 the lion collection hardcover - Mar 02 2022

web buy british silver boxes 1640 1840 the lion collection hardcover december 18 2014 by isbn from amazon s book store everyday low prices and free delivery on eligible orders

british silver boxes 1640 1840 the lion collection hardcover - Aug 07 2022

web british silver boxes 1640 1840 the lion collection culme john amazon sg books

british silver boxes 1640 1840 acc art books uk - Jul 18 2023

web british silver boxes 1640 1840 catalogues the remarkable diversity and depth of the lion collection assembled with a passionate and discerning eye over several years the collection has been distilled to include only the most interesting rare and varied of antique british silver boxes

9781851497829 british silver boxes 1640 1840 the lion - Feb 01 2022

web british silver boxes 1640 to1840 catalogues the remarkable diversity and depth of the lion collection assembled with a passionate and discerning eye over several years the collection has been distilled to include only the most interesting rare and varied of antique british silver boxes

antique silver boxes for sale loveantiques com - Jun 05 2022

web 383 antique and vintage silver boxes for sale priced from 25 to 9845

british silver boxes 1640 1840 the lion collection culme - Oct 09 2022

web dec 18 2014 british silver boxes 1640 1840 the lion collection culme john 9781851497829 books amazon ca

british silver boxes 1640 1840 the lion collection - Aug 19 2023

web british silver boxes 1640 1840 catalogues the remarkable diversity and depth of the lion collection assembled with a passionate and discerning eye over several years the collection has been distilled to include only the most interesting rare and varied of antique british silver boxes

british silver boxes 1640 1840 the lion collection abebooks - May 16 2023

web british silver boxes 1640 1840 catalogues the remarkable diversity and depth of the lion collection assembled with a passionate and discerning eye over several years the collection has been distilled to include only the most interesting rare and varied of antique british silver boxes

book british silver boxes 1640 1840 the johnston collection - Jun 17 2023

web british silver boxes 1640 1840 catalogues the remarkable diversity and depth of the lion collection assembled with a passionate and discerning eye over several years the collection has been distilled to include only the most interesting rare and varied of antique british silver boxes

british silver boxes 1640 1840 the lion collection by culme - Apr 03 2022

web buy british silver boxes 1640 1840 the lion collection by culme john 2014 hardcover by isbn from amazon s book store everyday low prices and free delivery on eligible orders

british silver boxes 1640 1840 the lion collection ebay - Nov 10 2022

web dec 12 2022 find many great new used options and get the best deals for british silver boxes 1640 1840 the lion collection hardback new john culme au at the best online prices at ebay free delivery for many products

british silver boxes 1640 1840 the lion collection google - Sep 20 2023

web british silver boxes 1640 to1840 catalogues the remarkable diversity and depth of the lion collection assembled with a passionate and discerning eye over several years the

british silver boxes 1640 1840 the lion collection amazon com - Dec 11 2022

web dec 18 2014 british silver boxes 1640 1840 the lion collection culme john on amazon com free shipping on qualifying offers british silver boxes 1640 1840 the lion collection