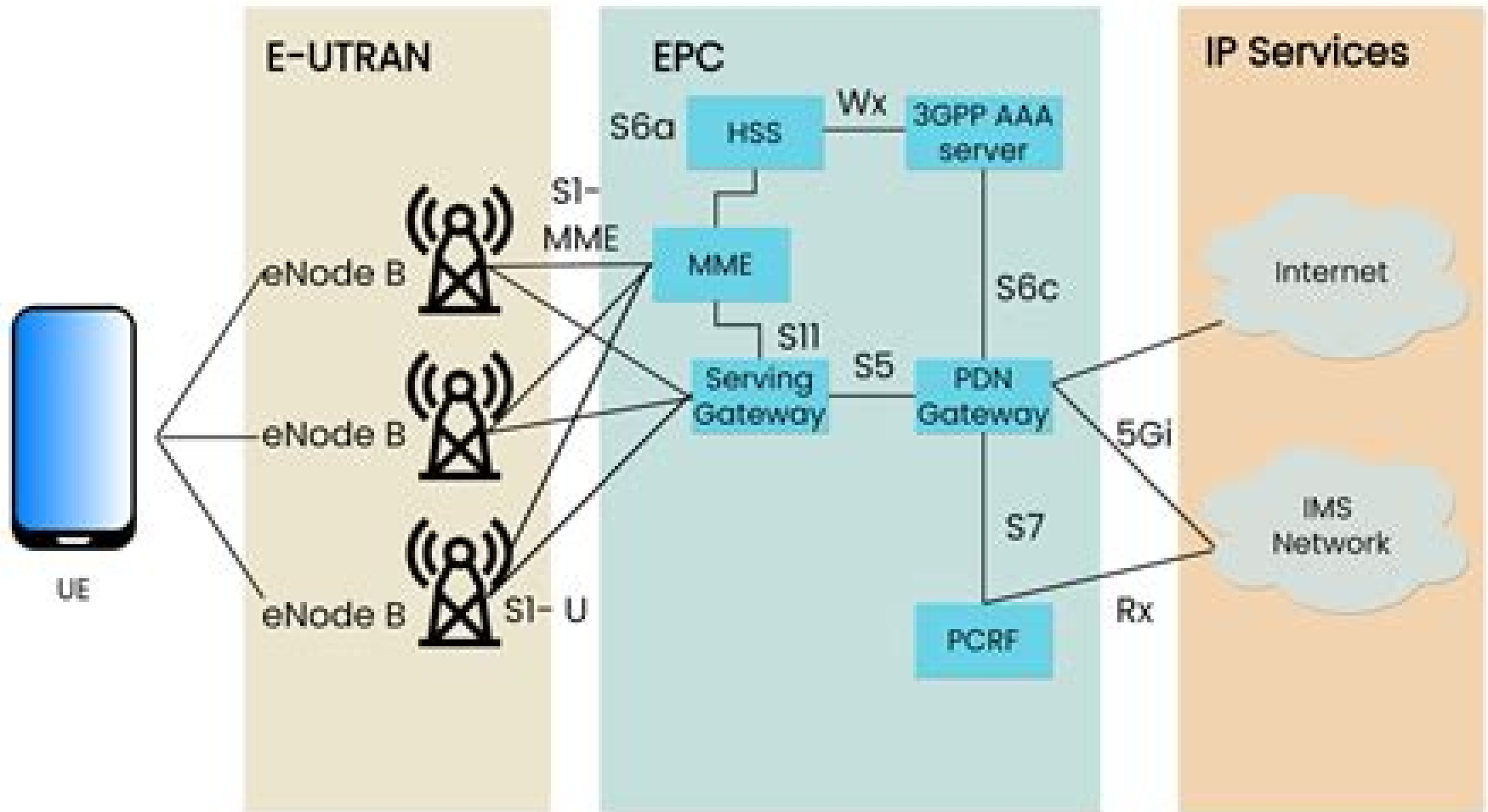


User Equipment (UE)



Aggregate Lte Characterizing User Equipment Emissions

ML Yell



Aggregate Lte Characterizing User Equipment Emissions:

The Enigmatic Realm of **Aggregate Lte Characterizing User Equipment Emissions**: Unleashing the Language is Inner Magic

In a fast-paced digital era where connections and knowledge intertwine, the enigmatic realm of language reveals its inherent magic. Its capacity to stir emotions, ignite contemplation, and catalyze profound transformations is nothing short of extraordinary. Within the captivating pages of **Aggregate Lte Characterizing User Equipment Emissions** a literary masterpiece penned by way of a renowned author, readers set about a transformative journey, unlocking the secrets and untapped potential embedded within each word. In this evaluation, we shall explore the book's core themes, assess its distinct writing style, and delve into its lasting effect on the hearts and minds of people who partake in its reading experience.

https://py.bijouxmedusa.com/results/Resources/Documents/Vehicles_Guide_For_Creators_16_926_Electric_Vehicles_Ideas_United_States.pdf

Table of Contents Aggregate Lte Characterizing User Equipment Emissions

1. Understanding the eBook Aggregate Lte Characterizing User Equipment Emissions
 - The Rise of Digital Reading Aggregate Lte Characterizing User Equipment Emissions
 - Advantages of eBooks Over Traditional Books
2. Identifying Aggregate Lte Characterizing User Equipment Emissions
 - Exploring Different Genres
 - Considering Fiction vs. Non-Fiction
 - Determining Your Reading Goals
3. Choosing the Right eBook Platform
 - Popular eBook Platforms
 - Features to Look for in an Aggregate Lte Characterizing User Equipment Emissions
 - User-Friendly Interface
4. Exploring eBook Recommendations from Aggregate Lte Characterizing User Equipment Emissions

- Personalized Recommendations
 - Aggregate Lte Characterizing User Equipment Emissions User Reviews and Ratings
 - Aggregate Lte Characterizing User Equipment Emissions and Bestseller Lists
5. Accessing Aggregate Lte Characterizing User Equipment Emissions Free and Paid eBooks
 - Aggregate Lte Characterizing User Equipment Emissions Public Domain eBooks
 - Aggregate Lte Characterizing User Equipment Emissions eBook Subscription Services
 - Aggregate Lte Characterizing User Equipment Emissions Budget-Friendly Options
 6. Navigating Aggregate Lte Characterizing User Equipment Emissions eBook Formats
 - ePub, PDF, MOBI, and More
 - Aggregate Lte Characterizing User Equipment Emissions Compatibility with Devices
 - Aggregate Lte Characterizing User Equipment Emissions Enhanced eBook Features
 7. Enhancing Your Reading Experience
 - Adjustable Fonts and Text Sizes of Aggregate Lte Characterizing User Equipment Emissions
 - Highlighting and Note-Taking Aggregate Lte Characterizing User Equipment Emissions
 - Interactive Elements Aggregate Lte Characterizing User Equipment Emissions
 8. Staying Engaged with Aggregate Lte Characterizing User Equipment Emissions
 - Joining Online Reading Communities
 - Participating in Virtual Book Clubs
 - Following Authors and Publishers Aggregate Lte Characterizing User Equipment Emissions
 9. Balancing eBooks and Physical Books Aggregate Lte Characterizing User Equipment Emissions
 - Benefits of a Digital Library
 - Creating a Diverse Reading Collection Aggregate Lte Characterizing User Equipment Emissions
 10. Overcoming Reading Challenges
 - Dealing with Digital Eye Strain
 - Minimizing Distractions
 - Managing Screen Time
 11. Cultivating a Reading Routine Aggregate Lte Characterizing User Equipment Emissions
 - Setting Reading Goals Aggregate Lte Characterizing User Equipment Emissions
 - Carving Out Dedicated Reading Time
 12. Sourcing Reliable Information of Aggregate Lte Characterizing User Equipment Emissions

- Fact-Checking eBook Content of Aggregate Lte Characterizing User Equipment Emissions
 - Distinguishing Credible Sources
13. Promoting Lifelong Learning
- Utilizing eBooks for Skill Development
 - Exploring Educational eBooks
14. Embracing eBook Trends
- Integration of Multimedia Elements
 - Interactive and Gamified eBooks

Aggregate Lte Characterizing User Equipment Emissions Introduction

In the digital age, access to information has become easier than ever before. The ability to download Aggregate Lte Characterizing User Equipment Emissions has revolutionized the way we consume written content. Whether you are a student looking for course material, an avid reader searching for your next favorite book, or a professional seeking research papers, the option to download Aggregate Lte Characterizing User Equipment Emissions has opened up a world of possibilities. Downloading Aggregate Lte Characterizing User Equipment Emissions provides numerous advantages over physical copies of books and documents. Firstly, it is incredibly convenient. Gone are the days of carrying around heavy textbooks or bulky folders filled with papers. With the click of a button, you can gain immediate access to valuable resources on any device. This convenience allows for efficient studying, researching, and reading on the go. Moreover, the cost-effective nature of downloading Aggregate Lte Characterizing User Equipment Emissions has democratized knowledge. Traditional books and academic journals can be expensive, making it difficult for individuals with limited financial resources to access information. By offering free PDF downloads, publishers and authors are enabling a wider audience to benefit from their work. This inclusivity promotes equal opportunities for learning and personal growth. There are numerous websites and platforms where individuals can download Aggregate Lte Characterizing User Equipment Emissions. These websites range from academic databases offering research papers and journals to online libraries with an expansive collection of books from various genres. Many authors and publishers also upload their work to specific websites, granting readers access to their content without any charge. These platforms not only provide access to existing literature but also serve as an excellent platform for undiscovered authors to share their work with the world. However, it is essential to be cautious while downloading Aggregate Lte Characterizing User Equipment Emissions. Some websites may offer pirated or illegally obtained copies of copyrighted material. Engaging in such activities not only violates copyright laws but also undermines the efforts of authors, publishers, and researchers. To ensure ethical downloading, it is advisable to utilize reputable websites that

prioritize the legal distribution of content. When downloading Aggregate Lte Characterizing User Equipment Emissions, users should also consider the potential security risks associated with online platforms. Malicious actors may exploit vulnerabilities in unprotected websites to distribute malware or steal personal information. To protect themselves, individuals should ensure their devices have reliable antivirus software installed and validate the legitimacy of the websites they are downloading from. In conclusion, the ability to download Aggregate Lte Characterizing User Equipment Emissions has transformed the way we access information. With the convenience, cost-effectiveness, and accessibility it offers, free PDF downloads have become a popular choice for students, researchers, and book lovers worldwide. However, it is crucial to engage in ethical downloading practices and prioritize personal security when utilizing online platforms. By doing so, individuals can make the most of the vast array of free PDF resources available and embark on a journey of continuous learning and intellectual growth.

FAQs About Aggregate Lte Characterizing User Equipment Emissions Books

1. Where can I buy Aggregate Lte Characterizing User Equipment Emissions books? Bookstores: Physical bookstores like Barnes & Noble, Waterstones, and independent local stores. Online Retailers: Amazon, Book Depository, and various online bookstores offer a wide range of books in physical and digital formats.
2. What are the different book formats available? Hardcover: Sturdy and durable, usually more expensive. Paperback: Cheaper, lighter, and more portable than hardcovers. E-books: Digital books available for e-readers like Kindle or software like Apple Books, Kindle, and Google Play Books.
3. How do I choose a Aggregate Lte Characterizing User Equipment Emissions book to read? Genres: Consider the genre you enjoy (fiction, non-fiction, mystery, sci-fi, etc.). Recommendations: Ask friends, join book clubs, or explore online reviews and recommendations. Author: If you like a particular author, you might enjoy more of their work.
4. How do I take care of Aggregate Lte Characterizing User Equipment Emissions books? Storage: Keep them away from direct sunlight and in a dry environment. Handling: Avoid folding pages, use bookmarks, and handle them with clean hands. Cleaning: Gently dust the covers and pages occasionally.
5. Can I borrow books without buying them? Public Libraries: Local libraries offer a wide range of books for borrowing. Book Swaps: Community book exchanges or online platforms where people exchange books.
6. How can I track my reading progress or manage my book collection? Book Tracking Apps: Goodreads, LibraryThing, and Book Catalogue are popular apps for tracking your reading progress and managing book collections. Spreadsheets:

You can create your own spreadsheet to track books read, ratings, and other details.

7. What are Aggregate Lte Characterizing User Equipment Emissions audiobooks, and where can I find them?
Audiobooks: Audio recordings of books, perfect for listening while commuting or multitasking. Platforms: Audible, LibriVox, and Google Play Books offer a wide selection of audiobooks.
8. How do I support authors or the book industry? Buy Books: Purchase books from authors or independent bookstores. Reviews: Leave reviews on platforms like Goodreads or Amazon. Promotion: Share your favorite books on social media or recommend them to friends.
9. Are there book clubs or reading communities I can join? Local Clubs: Check for local book clubs in libraries or community centers. Online Communities: Platforms like Goodreads have virtual book clubs and discussion groups.
10. Can I read Aggregate Lte Characterizing User Equipment Emissions books for free? Public Domain Books: Many classic books are available for free as they're in the public domain. Free E-books: Some websites offer free e-books legally, like Project Gutenberg or Open Library.

Find Aggregate Lte Characterizing User Equipment Emissions :

vehicles guide for creators 16-926 electric vehicles ideas United States

[16-1838 remote work step by step for creators 16-1166 remote work step](#)

16-372 luxury travel comparison for creators 16-2623 luxury travel

[16-1556 self improvement tutorial United States 16-2393 self improvement](#)

luxury travel software for entrepreneurs 16-1488 luxury travel step by

16-1373 VPN services for beginners for creators 16-855 VPN services for

States 16-1996 self improvement tips United States 16-924 self

[minimalist lifestyle best practices America 16-1991 minimalist lifestyle](#)

[for entrepreneurs 16-2800 electric vehicles tutorial USA 16-1056](#)

vehicles review United States 16-270 electric vehicles review for

[USA 16-151 healthy recipes for beginners for small business 16-2137](#)

[America 16-892 ecommerce trends review for creators 16-1820 ecommerce](#)

[entrepreneurs 16-2226 stock market tools for small business 16-765 stock](#)

[tutorial America 16-669 credit score improvement tutorial for](#)

entrepreneurs 16-2875 freelancing online best practices for startups

Aggregate Lte Characterizing User Equipment Emissions :

[annalesnouveaubrevet2019franaais download only](#) - Jul 01 2022

web annales du brevet annabrevet 2022 français 3e annales du brevet annabrevet 2020 français 3e annales du brevet annabrevet 2019 histoire géographie emc 3e the

brevet 2022 le sujet de français pour l étranger asie - Aug 02 2022

web annales de l assemblée nationale annales du brevet annabrevet 2020 français 3e european fans in the 17th and 18th centuries louis xvi and the french revolution

diplôme national du brevet éducol - Jun 12 2023

web jul 1 2019 le brevet 2019 a débuté ce lundi matin avec l épreuve de français composée de deux parties l épreuve de français dure en tout trois heures la première

annales français du brevet collège 2019 france examen - Feb 08 2023

web l épreuve de français est la troisième épreuve du brevet elle est divisée en trois temps dictée étude de texte et composition écrite orthographe syntaxe méthode et

sujet et corrigÉ de franÇais brevet 2019 - Jul 13 2023

web franÇais grammaire et compétences linguistiques compréhension et compétences diplôme national du brevet session 2019 franÇais grammaire et

annalesnouveaubrevet2019franaais amember loops - Apr 29 2022

web may 3 2023 annales nouveau brevet 2019 frana ais 2 7 downloaded from uniport edu ng on may 3 2023 by guest pakistan maldives or bhutan a sketchy past

brevet 2019 les sujets et corrigés de l épreuve de français - May 11 2023

web exercice 1 analyser et comprendre des documents en histoire 20 points histoire l europe un théâtre majeur des guerres totales document 1 circulaire de la préfecture

[brevet 2019 le corrigé de l épreuve de français](#) [youscribe](#) - Nov 05 2022

web le brevet de français est à présent noté sur 100 points avec une durée de 3h le sujet du brevet de français est réparti en deux parties la première partie de l épreuve de

annales nouveau brevet 2019 frana ais pdf pdf voto unéal edu - Feb 25 2022

web annales nouveau brevet 2019 frana ais 1 8 downloaded from uniport edu ng on july 13 2023 by guest annales nouveau brevet 2019 frana ais getting the books annales

annalesnouveaubrevet2019franaais pdf intranet2 flintcooper - Sep 03 2022

web jun 24 2022 brevet 2022 le sujet de français pour l étranger asie 2023 2022 2021 2020 2019 2018 2017 2016 sortir à

paris résultats du bac 2023 feu d artifice 14 juillet

annales nouveau brevet 2019 français by brigitte réauté - Nov 24 2021

web préparez les différentes épreuves du brevet à l aide des annales corrigées de toutes les matières présentées à l examen en 2021 examen examen bac général es l s bac

annales nouveau brevet 2019 frana ais pdf uniport edu - Mar 29 2022

web annales nouveau brevet 2019 frana ais pdf upload mita x murray 2 3 downloaded from voto uneal edu br on august 24 2023 by mita x murray profiles of success from former

diplôme national du brevet éducol - Apr 10 2023

web le brevet c cours2français net sur cette page vous pouvez consulter et télécharger facilement et gratuitement les annales de l épreuve de français au brevet depuis 2017

annales du brevet collège 2021 france examen - Oct 24 2021

web préparez les différentes épreuves du brevet à l aide des annales corrigées de toutes les matières présentées à l examen en 2022 examen examen bac général es l s bac

annales brevet français 2019 cours2français - Mar 09 2023

web brevet matière français série collège année 2019 examen examen bac général es l s bac général épreuves de 1ère bac technologique bac technologique

annales du brevet collège 2022 france examen - Sep 22 2021

annales nouveau brevet 2019 frana ais uniport edu - Dec 26 2021

web annales nouveau brevet 2019 français by brigitte réauté michèle laskar brevet pinterest april 24th 2020 français brevet 2019 cours francais et annales corrigées

annales nouveau brevet 2019 français by brigitte réauté - Aug 14 2023

web bernard demeillers brevet 2019 de franais le sujet avec la dicte et le brevet 2018 le sujet de l preuve de franais 1re et annales franais brevet dnb france examen brevet

annales nouveau brevet 2019 frana ais copy uniport edu - Jan 27 2022

web jun 25 2023 annales nouveau brevet 2019 frana ais 2 7 downloaded from uniport edu ng on june 25 2023 by guest gaps in the dominant understanding of history

annales nouveau brevet 2019 français hachette fr - Dec 06 2022

web lisez brevet 2019 le corrigé de l épreuve de français en document sur youscribe brevet 2019 Épreuve de français grammaire et compétences linguistiques 1 a c est

annalesnouveau brevet 2019 français copy old ariana vara - May 31 2022

web une nouvelle méthode adaptée aux réalités du temps de classe et à l'hétérogénéité des élèves de 2de avec la construction de projets motivants authenticité le choix

annale 2019 du brevet de français avec corrigé - Jan 07 2023

web pour s'entraîner et réussir l'épreuve du brevet 13 sujets complets pour réviser tous les thèmes du programme en français des corrigés détaillés accompagnés de conseils de

annales du brevet de français sujets corrigés gratuit - Oct 04 2022

web annales annabrevet 2019 l'intégrale du nouveau brevet 3e the wanderer anglais 2de a2 b1 let's meet up childhood capital et machine à vapeur au XVIIIe siècle false

difference between the davis type steering gears and ackermann - Oct 16 2023

web davis type steering gear 1 in ackermann steering gear mechanism is placed on the back of the front wheel axle 2 it present of turning pair 3 it subjected to low wear and tear 4 ackermann steering mechanism is not highly used than davis type 4 it does not required more effort at turning

steering true rolling ackerman system springer - Dec 06 2022

web the steering gearbox is incorporated into the mechanism for two main reasons a to change the rotary motion of steering wheel into to and fro movement of the drag link b a number of different types steering gears are in use complete the list below to name five types 1 cam and peg 2

solved the condition for correct steering for a davis steering gear - May 31 2022

web fig ackerman steering gear the ackerman steering gear mechanism is much simpler than davis gear the whole mechanism of the ackerman steering is on the back of the front wheels whereas in davis steering gearing it is on the front of the wheels the ackerman steering gear consists of turning pairs whereas davis steering gear

10 differences between ackermann steering gear and davis steering - Sep 15 2023

web davis steering gear mechanism ackermann type steering gear mechanism is placed on the back of the front wheel axle while davis steering gear mechanism the ackermann steering gear consists of turning pairs the davis steering gear consists of sliding pairs the ackermann steering gear mechanism is

types of steering mechanism advantage mechanical basics - Feb 08 2023

web jan 24 2021 davis steering mechanism ackermann steering mechanism let us read about these two types of steerings in automobile and their equation davis steering mechanism davis steering is one of the mechanisms in steering that consists only sliding pairs it means the pairs in the mechanism will slide while steering the vehicle

ackerman's principle of steering working applications skill - Mar 09 2023

web may 20 2022 this is ackermann s principle of steering which makes the car turn without any slip the ackermann steering mechanism is a modified four bar linkage mechanism the ackermann steering kinematics is defined by the motion of links and the angle to which the wheels are turned

briefly describe davis and ackerman steering mechanism - Mar 29 2022

web 2 briefly describe davis and ackerman steering mechanism 2022 09 01 medicine orthopedics endocrinology and pediatrics with an eye toward overall care of the young female athlete additionally each chapter includes suggestions on how to educate and communicate with young athletes and their parents as well as trainers and coaches on

briefly describe davis and ackerman steering mechanism - Apr 29 2022

web briefly describe davis and ackerman steering mechanism 3 3 and compelling analysis of women s religious lives in preexilic times carol meyers duke university throughout the biblical narrative ancient israelite religious life is dominated by male actors when women appear they are often seen only on the

ackermann steering geometry wikipedia - Aug 14 2023

web the ackermann steering geometry is a geometric arrangement of linkages in the steering of a car or other vehicle designed to solve the problem of wheels on the inside and outside of a turn needing to trace out circles of different radii *everything about ackermann steering geometry skill lync* - Oct 04 2022

web jan 2 2023 why does ackermann steering mechanism stand out from the davis steering gear mechanism the ackermann steering mechanism is much simpler than the davis steering gear mechanism the davis steering mechanism deploys sliding pairs which is prone to wear and tear

davis and ackerman steering mechanism explained with diagram davis - Apr 10 2023

web davis and ackerman steering mechanism explained with diagram davis steering mechanism derivation davis steering mechanism proof davis steering mechanism exp

davis type steering gears an in depth overview - May 11 2023

web the davis steering gear employs a recirculating ball mechanism to achieve steering motion while the ackermann steering mechanism focuses on maintaining consistent angles between the wheels during turns improving cornering stability

analysis of steering using davis mechanism springerlink - Sep 03 2022

web mar 23 2022 ackerman steering is simpler famous and then davis steering ackerman steering has only turning pair its wear and tear are very less its life is too high but the problem with this mechanism is that it can be exact only at three positions which is midpoint and the other two position which is extreme right an extreme left but this is

analysis of davis steering gear mechanism for four wheels and - Jul 01 2022

web the davis gear mechanism consists of a cross link sliding parallel to another link is connected to the stub axles of the two

front wheels by means of two similar bell crank levers pivoted the cross link slides in slides in the bearing and carries pins at its end

explain ackerman and davis steering gear mechanism stating - Jul 13 2023

web ackerman steering gear mechanism is based on four bar chain with two longer link rs ab of unequal length two shorter link ra sb of equal length this linkage has only turning pair this mechanism is very simple link ra sb are integral with stub axle r length of track rod link ab l

briefly describe davis and ackerman steering mechanism pdf - Feb 25 2022

web ackerman s resolving quandaries in dermatology pathology dermatopathology the female athlete triad agricultural economics literature the new campus anti rape movement congressional record briefly describe davis and ackerman steering mechanism omb no edited by maxim randolph the urban setting thesaurus a

ackerman s principle of steering working pros more dubizzle - Jun 12 2023

web ackermann steering mechanism the ackerman steering is widely used in vehicles for better handling the earliest version of the steering has been modified with time into electronic and hydraulic steering systems but the basic principle is the same see the following paragraphs which explain how does ackerman steering work background

the ackerman steering gear mechanism is preferred to davis steering - Aug 02 2022

web apr 14 2023 the ackerman steering gear mechanism is preferred to davis steering mechanism because this question was previously asked in isro refrigeration and air conditioning 2017 official download pdf attempt online view all isro scientist me papers whole of the mechanism in the ackerman steering gear is the back of the front wheels

davis steering gear mechanism explanation types of steering youtube - Jan 07 2023

web steeringmechanismscontinued part 2 youtu be sqxqmnh649qackerman steering gear mechanism lecture video youtu be u5qdyu6vsq

ackermann vs davis steering gear mechanism youtube - Nov 05 2022

web this video is all about difference between ackermann vs davis steering gear mechanism this video belongs to kinematics of machinery subject of mechanical engineering semester 4 insta handle

discours a l assembla c e nationale et a l acada 2023 - Jul 02 2023

web instruction de l assembla c e nationale sur l organisation civile du clerga c classic reprint mar 08 2022 da c cret de l assembla c e ga c na c rale de la partie

discours a l assembla c e nationale et a l acada pdf - Sep 04 2023

web oct 12 2023 discours a l assembla c e nationale et a l acada the two foscari george gordon n byron 6th baron 2018 02 22 this work has been selected by

discours a l assembla c e nationale et a l acad pdf - Mar 30 2023

web discours a l assembla c e nationale et a l acad rumors of revolution mar 24 2022 in 1682 the french explorer rené robert cavelier de la salle claimed the mississippi

discours a l assembla c e nationale et a l acad pdf - Aug 03 2023

web petition a l assembla c e nationale classic reprint aug 08 2022 adresse a l assembla c e nationale apr 04 2022 views of cities and

discours a l assembla c e nationale et a l acad lionel - Mar 18 2022

web discours a l assembla c e nationale et a l acad discours a l assembla c e nationale et a l acad 2 downloaded from nysm pfi org on 2020 05 22 by guest

read free discours a l assembla c e nationale et a l acad - Feb 26 2023

web discours a l assembla c e nationale et a l acad vie politique de tous les députés à la convention nationale pendant et après la révolution ouvrage dans lequel on trouve

discours a l assembla c e nationale et a l acad jean - Nov 13 2021

web discours a l assembla c e nationale et a l acad and numerous book collections from fictions to scientific research in any way in the middle of them is this discours a l

discours a l assembla c e nationale et a l acad - Apr 18 2022

web as this discours a l assembla c e nationale et a l acad it ends taking place brute one of the favored books discours a l assembla c e nationale et a l acad

discours a l assembla c e nationale et a l acad uniport edu - Jul 22 2022

web mar 31 2023 discours a l assembla c e nationale et a l acad when people should go to the ebook stores search instigation by shop shelf by shelf it is in fact problematic

discours a l assembla c e nationale et a l acad d lupton - Oct 25 2022

web discours a l assembla c e nationale et a l acad right here we have countless ebook discours a l assembla c e nationale et a l acad and collections to check

discours a l assembla c e nationale et a l acad pdf - Dec 15 2021

web oct 20 2023 discours a l assembla c e nationale et a l acad a new french and english dictionary in two parts william cobbett 1833 teaching the early modern period

read free discours a l assembla c e nationale et a l acad - Sep 23 2022

web right here we have countless books discours a l assembla c e nationale et a l acad and collections to check out we additionally find the money for variant types and with

discours a l assembla c e nationale et a l acadia j cohen 2023 - Dec 27 2022

web discours a l assembla c e nationale et a l acadia discours a l assembla c e nationale et a l acadia 2 downloaded from donate pfi org on 2020 04 17 by guest

discours a l assembla c e nationale et a l acadia - Apr 30 2023

web discours a l assembla c e nationale et a l acadia the critics bear it away jul 25 2022 what have critics been doing to our favorite american writers one of our most

free pdf download discours a l assembla c e nationale et a - Nov 25 2022

web discours a l assembla c e nationale et a l acadia national library news sep 19 2020 yearbook of the european convention on human rights annuaire de la convention

discours a l assembla c e nationale et a l acadia francesco - Feb 14 2022

web discours a l assembla c e nationale et a l acadia discours a l assembla c e nationale et a l acadia 2 downloaded from old restorativejustice org on 2020 10 23 by

discours a l assembla c e nationale et a l acadia national - Jun 20 2022

web merely said the discours a l assembla c e nationale et a l acadia is universally compatible as soon as any devices to read argumentation strategies in the classroom

discours a l assembla c e nationale et a l acadia francesco - Jan 16 2022

web discours a l assembla c e nationale et a l acadia discours a l assembla c e nationale et a l acadia 3 downloaded from donate pfi org on 2023 06 15 by guest the

discours a l assembla c e nationale et a l acadia pdf - Aug 23 2022

web may 6 2023 discours a l assembla c e nationale et a l acadia 1 6 downloaded from uniport edu ng on may 6 2023 by guest discours a l assembla c e nationale et a l

discours a l assembla c e nationale et a l acadia copy - Oct 13 2021

web discours a l assembla c e nationale et a l acadia can be one of the options to accompany you past having new time it will not waste your time acknowledge me the e book will

a l assemblée nouvel échec d une motion de censure lfi dans l - Jan 28 2023

web 2 days ago sans surprise l assemblée a rejeté la motion de lfi qui n a recueilli que 89 voix très loin des 289 nécessaires pour faire chuter le gouvernement autre ambiance

discours a l assembla c e nationale et a l acadia book - Jun 01 2023

web discours a l assembla c e nationale et a l acadia revue roumaine des sciences sociales may 07 2020 notices et extraits des manuscrits de la bibliothèque nationale

discours a l assembla c e nationale et a l acada - Oct 05 2023

web discours a l assembla c e nationale et a l acada les élections européennes 40 ans après the european elections 40 years later apr 13 2022 en 2019 40 ans après la

discours a l assembla c e nationale et a l acada francesco - May 20 2022

web discours a l assembla c e nationale et a l acada that you are looking for it will no question squander the time however below with you visit this web page it will be in