

Activity - Practice with Complex Circuits

$$V = IR$$

Part I

In the circuits below, the voltage of the battery is 12 V and each resistor is 2 Ω. For each circuit:

- Describe the circuit and any assumptions you make. Which resistors are in series? Which are in parallel?
- Calculate the current through each resistor and the voltage across each resistor.

$$\text{Total: } 8 + 2 = 10$$

$$\text{Series} = 2 + 2 + 2 + 2 = 8 \Omega$$

$$\text{Parallel} = \frac{1}{2} = 2 \Omega$$

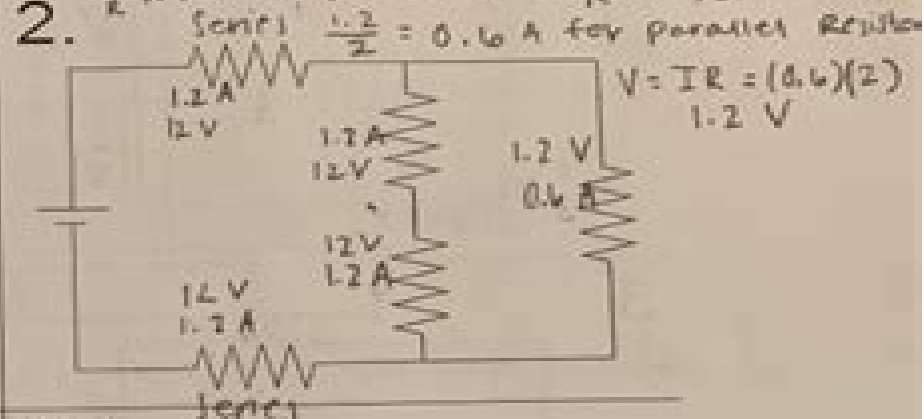
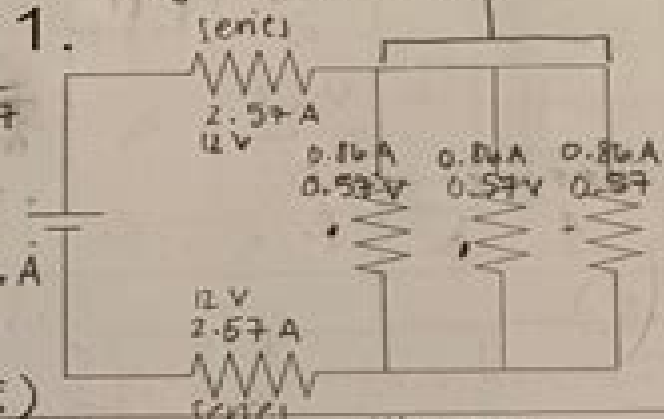
$$V = IR \rightarrow I = \frac{V}{R} = \frac{12}{10} = 1.2 \text{ A}$$

$$A = \frac{2 \Omega}{4.67} (12)$$

5.13

$$2 + 2 = 4 \Omega (\text{series}) \quad \frac{1}{2} + \frac{1}{2} + \frac{1}{2} = \frac{3}{2} = \frac{2}{3} \text{ (Parallel)}$$

$$4 + \frac{2}{3} = 4.67 \Omega = \text{total}$$



$$V = IR$$

$$I = \frac{V}{R} = \frac{12}{4.67}$$

$$I = 2.57$$

$$\frac{2.57 \text{ A}}{3} = 0.86 \text{ A}$$

$$V = IR$$

$$V = (0.86) (2)$$

$$V = 0.57 \text{ V}$$

3.

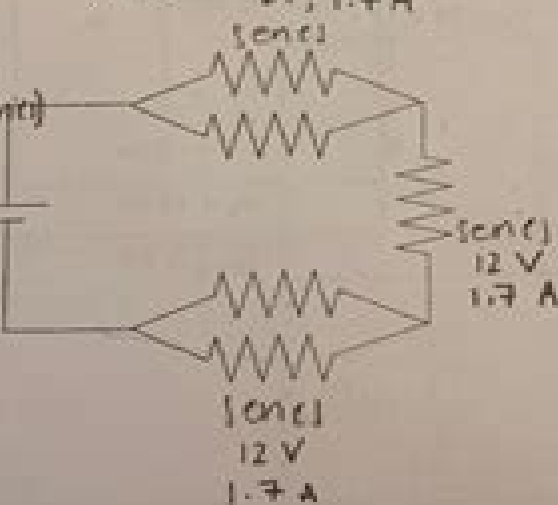
$$\text{Total } R = 6 + 1 = 7 \Omega$$

$$2 + 2 + 2 = 6 \Omega (\text{series})$$

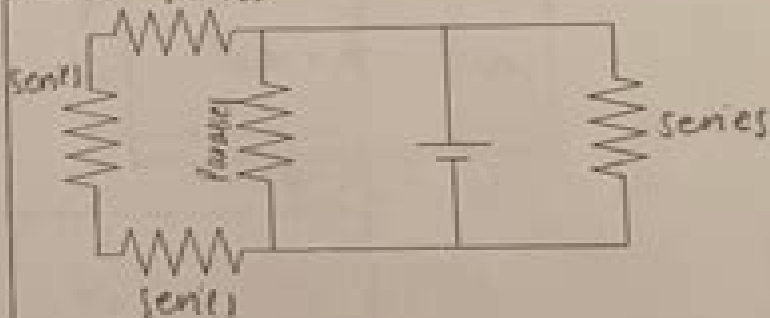
$$\frac{1}{2} + \frac{1}{2} = \frac{2}{2} = 1 \Omega (\text{Parallel})$$

$$V = IR$$

$$I = \frac{V}{R} = \frac{12}{7} = 1.7 \text{ A}$$



4.



Complex Circuit Problems And Solutions

University of Colorado

The logo of the University of Colorado, featuring a stylized red and white circular emblem.

Complex Circuit Problems And Solutions:

Electric Circuit Problems with Solutions F. A. Benson, 2012-12-06 Electrical engineering and electronic engineering students have frequently to resolve and simplify quite complex circuits in order to understand them or to obtain numerical results and a sound knowledge of basic circuit theory is therefore essential The author is very much in favour of tutorials and the solving of problems as a method of education Experience shows that many engineering students encounter difficulties when they first apply their theoretical knowledge to practical problems Over a period of about twenty years the author has collected a large number of problems on electric circuits while giving lectures to students attending the first two post intermediate years of University engineering courses The purpose of this book is to present these problems a total of 365 together with many solutions some problems with answers given at the end of each Chapter are left as student exercises in the hope that they will prove of value to other teachers and students Solutions are separated from the problems so that they will not be seen by accident The answer is given at the end of each problem however for convenience Parts of the book are based on the author's previous work *Electrical Engineering Problems with Solutions* which was published in 1954

Practical Synthesis of High-Performance Analog Circuits Emil S. Ochotta, Tamal Mukherjee, Rob A. Rutenbar, L. Richard Carley, 2012-12-06 *Practical Synthesis of High Performance Analog Circuits* presents a technique for automating the design of analog circuits Market competition and the astounding pace of technological innovation exert tremendous pressure on circuit design engineers to turn ideas into products quickly and get them to market In digital Application Specific Integrated Circuit ASIC design computer aided design CAD tools have substantially eased this pressure by automating many of the laborious steps in the design process thereby allowing the designer to maximise his design expertise But the world is not solely digital Cellular telephones magnetic disk drives neural networks and speech recognition systems are a few of the recent technological innovations that rely on a core of analog circuitry and exploit the density and performance of mixed analog digital ASICs To maximize profit these mixed signal ASICs must also make it to market as quickly as possible However although the engineer working on the digital portion of the ASIC can rely on sophisticated CAD tools to automate much of the design process there is little help for the engineer working on the analog portion of the chip With the exception of simulators to verify the circuit design when it is complete there are almost no general purpose CAD tools that an analog design engineer can take advantage of to automate the analog design flow and reduce his time to market *Practical Synthesis of High Performance Analog Circuits* presents a new variation tolerant analog synthesis strategy that is a significant step towards ending the wait for a practical analog synthesis tool A new synthesis strategy is presented that can fully automate the path from a circuit topology and performance specifications to a sized variation tolerant circuit schematic This strategy relies on asymptotic waveform evaluation to predict circuit performance and simulated annealing to solve a novel non linear infinite programming optimization formulation of the circuit synthesis problem via a sequence of smaller optimization problems

Practical Synthesis of High Performance Analog Circuits will be of interest to analog circuit designers CAD EDA industry professionals academics and students *Electric Circuit Problems with Solutions* F. A. Benson,1975-04-24 Electrical engineering and electronic engineering students have frequently to resolve and simplify quite complex circuits in order to understand them or to obtain numerical results and a sound knowledge of basic circuit theory is therefore essential The author is very much in favour of tutorials and the solving of problems as a method of education Experience shows that many engineering students encounter difficulties when they first apply their theoretical knowledge to practical problems Over a period of about twenty years the author has collected a large number of problems on electric circuits while giving lectures to students attending the first two post intermediate years of University engineering courses The purpose of this book is to present these problems a total of 365 together with many solutions some problems with answers given at the end of each Chapter are left as student exercises in the hope that they will prove of value to other teachers and students Solutions are separated from the problems so that they will not be seen by accident The answer is given at the end of each problem however for convenience Parts of the book are based on the author's previous work *Electrical Engineering Problems with Solutions* which was published in 1954 **University of Colorado Catalogue** University of Colorado,1929 *Bulletin* University of Colorado Boulder,1928 **Electric Circuit Problems** Frank Atkinson Benson,1967 Numerical Methods for Nonlinear Engineering Models John R. Hauser,2009-03-24 There are many books on the use of numerical methods for solving engineering problems and for modeling of engineering artifacts In addition there are many styles of such presentations ranging from books with a major emphasis on theory to books with an emphasis on applications The purpose of this book is hopefully to present a somewhat different approach to the use of numerical methods for engineering applications Engineering models are in general nonlinear models where the response of some appropriate engineering variable depends in a nonlinear manner on the variation of some independent parameter It is certainly true that for many types of engineering models it is sufficient to approximate the real physical world by some linear model However when engineering environments are pushed to extreme conditions nonlinear effects are always encountered It is also such extreme conditions that are of major importance in determining the reliability or failure limits of engineering systems Hence it is essential that engineers have a toolbox of modeling techniques that can be used to model nonlinear engineering systems Such a set of basic numerical methods is the topic of this book For each subject area treated nonlinear models are incorporated into the discussion from the very beginning and linear models are simply treated as special cases of more general nonlinear models This is a basic and fundamental difference in this book from most books on numerical methods **Proceedings of the Twenty-Third Annual Conference of the Cognitive Science Society** Johanna D. Moore,Keith Stenning,2001 Vol includes all papers and posters presented at 2001 Cog Sci Mtg summaries of symposia invited addresses Deals w issues of repres model g cog processes Appeals to scholars in subdisciplines that comprise Cog Sci Psych Computr Sci Neuro Lin *Catalogue Number* University

of Colorado,1930 **Principles of Mercury Arc Rectifiers and Their Circuits** David Chandler Prince,Francis Brooke Vogdes,1927 **A Top-down Design Solution for Improved Testability in High Performance Circuits and Systems** Huoy-Yu Liou,1995 **New Technical Books** ,1926 **Fundamentals of Circuits, Electronics, and Signal Analysis** Kendall Ling-chiao Su,1978 *On Growth, Form and Computers* Sanjeev Kumar,Peter J. Bentley,2003-10-03 Conceived for both computer scientists and biologists alike this collection of 22 essays highlights the important new role that computers play in developmental biology research Essays show how through computer modeling researchers gain further insight into developmental processes Featured essays also cover their use in designing computer algorithms to tackle computer science problems in areas like neural network design robot control evolvable hardware and more Peter Bentley noted for his prolific research on evolutionary computation and Sanjeev Kumar head up a respected team to guide readers through these very complex and fascinating disciplines Covers both developmental biology and computational development the only book of its kind Provides introductory material and more detailed information on BOTH disciplines Includes contributions from Richard Dawkins Lewis Wolpert Ian Stewart and many other experts **Electrical World** ,1928 **Electronic Circuits** David Paul Casasent,1973 **Evolvable Systems: From Biology to Hardware** Gregory S. Hornby,Lukas Sekanina,2008-09-08 This book constitutes the refereed proceedings of the 8th International Conference on Evolvable Systems ICES 2008 held in Prague Czech Republic in September 2008 The 28 revised full papers and 14 revised poster papers presented were carefully reviewed and selected from 52 submissions The papers are organized in topical sections on evolution of analog circuits evolution of digital circuits hardware software codesign and platforms for adaptive systems evolutionary robotics development real world applications evolutionary networking evolvable artificial neural networks and transistor level circuit evolution **Special Report** Great Britain. Radio Research Board,1929 *Fundamental Principles of Electric and Magnetic Circuits* Fred Alan Fish,1928 *The Analysis and Design of Linear Circuits* Roland E. Thomas,Albert J. Rosa,Gregory J. Toussaint,2020-07-15 While most texts focus on how and why electric circuits work *The Analysis and Design of Linear Circuits* taps into engineering students desire to explore create and put their learning into practice Students from across disciplines will gain a practical in depth understanding of the fundamental principles underlying so much of modern everyday technology Early focus on the analysis design and evaluation of electric circuits promotes the development of design intuition by allowing students to test their designs in the context of real world constraints and practical situations This updated Ninth Edition features an emphasis on the use of computer software including Excel MATLAB and Multisim building a real world problem solving style that reflects that of practicing engineers Software skills are integrated with examples and exercises throughout the text and coverage of circuit design and evaluation frequency response mutual inductance ac power circuits and other central topics has been revised for clarity and ease of understanding With an overarching goal of instilling smart judgement surrounding design problems and innovative solutions

this unique text provides inspiration and motivation alongside an essential knowledge base

Reviewing **Complex Circuit Problems And Solutions**: Unlocking the Spellbinding Force of Linguistics

In a fast-paced world fueled by information and interconnectivity, the spellbinding force of linguistics has acquired newfound prominence. Its capacity to evoke emotions, stimulate contemplation, and stimulate metamorphosis is actually astonishing. Within the pages of "**Complex Circuit Problems And Solutions**," an enthralling opus penned by a highly acclaimed wordsmith, readers attempt an immersive expedition to unravel the intricate significance of language and its indelible imprint on our lives. Throughout this assessment, we shall delve in to the book is central motifs, appraise its distinctive narrative style, and gauge its overarching influence on the minds of its readers.

https://py.bijouxmedusa.com/results/browse/default.aspx/comparison_for_startups_54_1682_startup_funding_examples_usa_54_1690.pdf

Table of Contents Complex Circuit Problems And Solutions

1. Understanding the eBook Complex Circuit Problems And Solutions
 - The Rise of Digital Reading Complex Circuit Problems And Solutions
 - Advantages of eBooks Over Traditional Books
2. Identifying Complex Circuit Problems And Solutions
 - Exploring Different Genres
 - Considering Fiction vs. Non-Fiction
 - Determining Your Reading Goals
3. Choosing the Right eBook Platform
 - Popular eBook Platforms
 - Features to Look for in an Complex Circuit Problems And Solutions
 - User-Friendly Interface
4. Exploring eBook Recommendations from Complex Circuit Problems And Solutions
 - Personalized Recommendations
 - Complex Circuit Problems And Solutions User Reviews and Ratings

- Complex Circuit Problems And Solutions and Bestseller Lists
- 5. Accessing Complex Circuit Problems And Solutions Free and Paid eBooks
 - Complex Circuit Problems And Solutions Public Domain eBooks
 - Complex Circuit Problems And Solutions eBook Subscription Services
 - Complex Circuit Problems And Solutions Budget-Friendly Options
- 6. Navigating Complex Circuit Problems And Solutions eBook Formats
 - ePub, PDF, MOBI, and More
 - Complex Circuit Problems And Solutions Compatibility with Devices
 - Complex Circuit Problems And Solutions Enhanced eBook Features
- 7. Enhancing Your Reading Experience
 - Adjustable Fonts and Text Sizes of Complex Circuit Problems And Solutions
 - Highlighting and Note-Taking Complex Circuit Problems And Solutions
 - Interactive Elements Complex Circuit Problems And Solutions
- 8. Staying Engaged with Complex Circuit Problems And Solutions
 - Joining Online Reading Communities
 - Participating in Virtual Book Clubs
 - Following Authors and Publishers Complex Circuit Problems And Solutions
- 9. Balancing eBooks and Physical Books Complex Circuit Problems And Solutions
 - Benefits of a Digital Library
 - Creating a Diverse Reading Collection Complex Circuit Problems And Solutions
- 10. Overcoming Reading Challenges
 - Dealing with Digital Eye Strain
 - Minimizing Distractions
 - Managing Screen Time
- 11. Cultivating a Reading Routine Complex Circuit Problems And Solutions
 - Setting Reading Goals Complex Circuit Problems And Solutions
 - Carving Out Dedicated Reading Time
- 12. Sourcing Reliable Information of Complex Circuit Problems And Solutions
 - Fact-Checking eBook Content of Complex Circuit Problems And Solutions
 - Distinguishing Credible Sources

13. Promoting Lifelong Learning
 - Utilizing eBooks for Skill Development
 - Exploring Educational eBooks
14. Embracing eBook Trends
 - Integration of Multimedia Elements
 - Interactive and Gamified eBooks

Complex Circuit Problems And Solutions Introduction

Complex Circuit Problems And Solutions Offers over 60,000 free eBooks, including many classics that are in the public domain. Open Library: Provides access to over 1 million free eBooks, including classic literature and contemporary works. Complex Circuit Problems And Solutions Offers a vast collection of books, some of which are available for free as PDF downloads, particularly older books in the public domain. Complex Circuit Problems And Solutions : This website hosts a vast collection of scientific articles, books, and textbooks. While it operates in a legal gray area due to copyright issues, its a popular resource for finding various publications. Internet Archive for Complex Circuit Problems And Solutions : Has an extensive collection of digital content, including books, articles, videos, and more. It has a massive library of free downloadable books. Free-eBooks Complex Circuit Problems And Solutions Offers a diverse range of free eBooks across various genres. Complex Circuit Problems And Solutions Focuses mainly on educational books, textbooks, and business books. It offers free PDF downloads for educational purposes. Complex Circuit Problems And Solutions Provides a large selection of free eBooks in different genres, which are available for download in various formats, including PDF. Finding specific Complex Circuit Problems And Solutions, especially related to Complex Circuit Problems And Solutions, might be challenging as theyre often artistic creations rather than practical blueprints. However, you can explore the following steps to search for or create your own Online Searches: Look for websites, forums, or blogs dedicated to Complex Circuit Problems And Solutions, Sometimes enthusiasts share their designs or concepts in PDF format. Books and Magazines Some Complex Circuit Problems And Solutions books or magazines might include. Look for these in online stores or libraries. Remember that while Complex Circuit Problems And Solutions, sharing copyrighted material without permission is not legal. Always ensure youre either creating your own or obtaining them from legitimate sources that allow sharing and downloading. Library Check if your local library offers eBook lending services. Many libraries have digital catalogs where you can borrow Complex Circuit Problems And Solutions eBooks for free, including popular titles. Online Retailers: Websites like Amazon, Google Books, or Apple Books often sell eBooks. Sometimes, authors or publishers offer promotions or free periods for certain books. Authors Website Occasionally, authors provide excerpts or short stories for free on their websites. While this

might not be the Complex Circuit Problems And Solutions full book , it can give you a taste of the authors writing style. Subscription Services Platforms like Kindle Unlimited or Scribd offer subscription-based access to a wide range of Complex Circuit Problems And Solutions eBooks, including some popular titles.

FAQs About Complex Circuit Problems And Solutions Books

How do I know which eBook platform is the best for me? Finding the best eBook platform depends on your reading preferences and device compatibility. Research different platforms, read user reviews, and explore their features before making a choice. Are free eBooks of good quality? Yes, many reputable platforms offer high-quality free eBooks, including classics and public domain works. However, make sure to verify the source to ensure the eBook credibility. Can I read eBooks without an eReader? Absolutely! Most eBook platforms offer webbased readers or mobile apps that allow you to read eBooks on your computer, tablet, or smartphone. How do I avoid digital eye strain while reading eBooks? To prevent digital eye strain, take regular breaks, adjust the font size and background color, and ensure proper lighting while reading eBooks. What the advantage of interactive eBooks? Interactive eBooks incorporate multimedia elements, quizzes, and activities, enhancing the reader engagement and providing a more immersive learning experience. Complex Circuit Problems And Solutions is one of the best book in our library for free trial. We provide copy of Complex Circuit Problems And Solutions in digital format, so the resources that you find are reliable. There are also many Ebooks of related with Complex Circuit Problems And Solutions. Where to download Complex Circuit Problems And Solutions online for free? Are you looking for Complex Circuit Problems And Solutions PDF? This is definitely going to save you time and cash in something you should think about. If you trying to find then search around for online. Without a doubt there are numerous these available and many of them have the freedom. However without doubt you receive whatever you purchase. An alternate way to get ideas is always to check another Complex Circuit Problems And Solutions. This method for see exactly what may be included and adopt these ideas to your book. This site will almost certainly help you save time and effort, money and stress. If you are looking for free books then you really should consider finding to assist you try this. Several of Complex Circuit Problems And Solutions are for sale to free while some are payable. If you arent sure if the books you would like to download works with for usage along with your computer, it is possible to download free trials. The free guides make it easy for someone to free access online library for download books to your device. You can get free download on free trial for lots of books categories. Our library is the biggest of these that have literally hundreds of thousands of different products categories represented. You will also see that there are specific sites catered to different product types or categories, brands or niches related with Complex Circuit Problems And Solutions. So depending on what exactly you are searching, you will be able to choose e books

to suit your own need. Need to access completely for Campbell Biology Seventh Edition book? Access Ebook without any digging. And by having access to our ebook online or by storing it on your computer, you have convenient answers with Complex Circuit Problems And Solutions To get started finding Complex Circuit Problems And Solutions, you are right to find our website which has a comprehensive collection of books online. Our library is the biggest of these that have literally hundreds of thousands of different products represented. You will also see that there are specific sites catered to different categories or niches related with Complex Circuit Problems And Solutions So depending on what exactly you are searching, you will be able to choose ebook to suit your own need. Thank you for reading Complex Circuit Problems And Solutions. Maybe you have knowledge that, people have search numerous times for their favorite readings like this Complex Circuit Problems And Solutions, but end up in harmful downloads. Rather than reading a good book with a cup of coffee in the afternoon, instead they juggled with some harmful bugs inside their laptop. Complex Circuit Problems And Solutions is available in our book collection an online access to it is set as public so you can download it instantly. Our digital library spans in multiple locations, allowing you to get the most less latency time to download any of our books like this one. Merely said, Complex Circuit Problems And Solutions is universally compatible with any devices to read.

Find Complex Circuit Problems And Solutions :

comparison for startups 54-1682 startup funding examples USA 54-1690
54-2487 blockchain development checklist United States 54-319 blockchain
America 54-87 interview tips tools United States 54-127 interview tips
print on demand software for small business 54-680 print on demand step
study United States 54-2386 budget travel case study for creators
54-2108 dropshipping business trends for creators 54-2393 dropshipping
tutorial for entrepreneurs 54-2643 Instagram growth tutorial for small
software for small business 54-2667 dropshipping business software for
investing strategies for small business 54-1601 crypto investing
explained America 54-1778 fitness routines explained USA 54-1176 fitness
tips for creators 54-1814 print on demand tips for creators 54-1839
marketing apps America 54-27 content marketing apps United States
54-2239 personal finance ideas for creators 54-567 personal finance
entrepreneurs 54-2529 minimalist lifestyle explained for small business
basics guide for entrepreneurs 54-1911 machine learning basics guide for

Complex Circuit Problems And Solutions :

how to prepare for abm advanced banking management in caiib - Sep 15 2023

web abm advanced bank management is one of the compulsory subjects for caiib 2023 most people find it difficult to clear this paper of caiib but worry not you have come to the right place if you have come here thinking the same

caiib advanced bank management abm myonlineprep - Mar 09 2023

web 2nd apr 2022 myonlineprep tags introduction to advanced bank management abm caiib the book advanced bank management explains all the concepts of finance and banking this book is officially published by the iibf in memory recalled questions of advanced bank management caiib - Apr 29 2022

web advance bank manageemnt while releasing the data relating to inflation increased by the govt it is observed that 1 the consumer price index based inflation increased to 11 and 2 whole sale price index based inflation increased to 8

advanced bank management cboa - Apr 10 2023

web caiib made simple advanced bank management caiib paper 1 version 2 0 for june 2016 examination a very useful book for day to day banking and all knowledge based examinations compiled by sanjay kumar trivedy divisional manager canara bank government link cell nagpur pgns complex modi no 3

iibf caiib abm study material 2023 advanced bank management - Oct 04 2022

web may 5 2023 all of this forms part of the advanced bank management syllabus that is currently 2023 applicable for the caiib exam the revised syllabus of caiib is now applicable from june 2023 onwards you can read the full syllabus of caiib abm here and know what is the revised syllabus of caiib here

caiib advanced bank management part i udemy - Nov 05 2022

web welcome to this course on caiib advanced bank management part i caiib is the short form for certified associate of indian institute of bankers it is an examination conducted by indian institute of banking and finance iibf twice a

caiib abm module b business mathematics study materials - May 31 2022

web as per latest caiib take syllabus chapter wise study materials from caiib abm advance bank management module a business maths

caiib abm 7 day strategy caiib advanced bank management caiib - Aug 14 2023

web caiib abm 7 day strategy caiib advanced bank management caiib 2022 important topics in this video we will tell you the caiib abm 7 days strategy for passing the abm caiib 2022 exam

caiib paper 1 study material abm advanced bank management - Jun 12 2023

web caiib paper 1 study material abm advanced bank management year 2023 read short notes and study material for caiib

paper 1 exam we have tried to cover all caiib paper 1 exam study modules these short notes will help for a quick revision for your upcoming caiib paper 1 exam jaiib study material caiib paper 1 study material

caiib macmillan ebook advanced bank management pdf scribd - Dec 06 2022

web caiib macmillan ebook advanced bank management pdf supply and demand supply economics

caiib paper 1 capsule pdf advanced bank management new - Oct 16 2023

web jun 6 2023 so here we are providing the caiib paper 1 capsule pdf for advanced bank management for those candidates or bankers who are preparing for caiib our study materials are made by experts bank professionals working in state bank of india and other psu banks and already cleared jaiib caiib exams

private banking wmi - Feb 25 2022

web priority retail banking certified adviser prca level 3 enquire now contact us tel 65 6994 5601 no 1 marina boulevard 16 01 one marina boulevard singapore 018989 social media

buy caiib books advanced bank management 2020 edition - Jan 07 2023

web advanced bank management contains latest updated theory with topic specific multiple choice questions mock tests based on recalled questions of previous exams and latest additions introduced by iibf problems and case studies with explanations to solutions and detailed calculations where necessary to make the concept crystal clear

advanced banking management short notes for caiib - Jul 01 2022

web jan 4 2022 advanced banking management short notes for caiib january 4 2022 by oliveboard content advance banking management modules module a economic analysis start your prep now module b business mathematics module c hrm in banks module d credit management module a economic analysis

advance bank management caiib by n s toor goodreads - Aug 02 2022

web advance bank management caiib by n s toor goodreads jump to ratings and reviews

caiib abm advanced bank management short notes part 2 - Sep 03 2022

web this course of caiib has a total of 3 subjects out of which 2 are compulsory and abm or advanced bank management is one of the two the 3rd one is elective advanced bank management has 4 modules which are further divided into several units caiib abm advanced bank management syllabus priority check here

caiib 2021 advanced bank management mock tests udemy - May 11 2023

web welcome to this practice tests series on caiib advanced bank management these practice sets are divided into 5 parts practice test 1 module a economic analysis 100 questions practice test 2 module b business mathematics 100 questions practice test 3 module c human resource management 100 questions practice test 4

caiib advanced bank management 12th edition - Feb 08 2023

web advanced bank management bank financial management banking regulations business laws advanced business financial management 2023 3 605 00 3 244 50 save 10

[advanced bank liquidity management london financial studies](#) - Mar 29 2022

web advanced bank liquidity management course london financial studies enjoy the personal connection of small group learning in our london classrooms again if you don t want to travel lfs live brings the interactive classroom to you either way the teaching is still world class 24th 26th june 2024 18th 20th november 2024

[caiiib advanced banking management abm abm exam](#) - Jul 13 2023

web abm advanced bank management is the first paper of caiib many of the concepts like bonds time valu shuffle all videos shorts 1 56 21 advanced bank management 7 caiib crash

[mix match silly sentences kindergarten workbook scholastic](#) - Feb 08 2023

web abebooks com mix match silly sentences kindergarten workbook scholastic early learners workbook 9781338255928 by scholastic and a great selection of similar

[mix match silly sentences kindergarten workbook scholastic](#) - Dec 06 2022

web a mix and match book with flash cards that builds kindergarten readiness skills from scholastic early learners this kindergarten focused mix and match book allows

mix match silly sentences kindergarten workbook scholastic - Jan 07 2023

web dec 26 2017 kindergarten mix match silly sentences by scholastic scholastic early learners dec 26 2017 cartwheel books edition hardcover kindergarten mix

mix match silly sentences kindergarten workbook scholastic - Nov 05 2022

web a mix and match book with flash cards that builds kindergarten readiness skills from scholastic early learners this kindergarten focused mix and match book allows

mix match silly sentences kindergarten workbook scholastic - May 31 2022

web buy mix match silly sentences kindergarten workbook scholastic early learners workbook by scholastic online at alibris we have new and used copies available in 1

mix match silly sentences kindergarten workbook scholastic - Apr 10 2023

web mix match silly sentences kindergarten workbook scholastic early learners workbook scholastic amazon sg books

[scholastic early learners kindergarten mix match silly](#) - Mar 29 2022

web dec 26 2017 this kindergarten focused mix and match book in spanish allows children to combine words to create hilarious new sentences each sentence is divided into four

mix match silly sentences kindergarten workbook scholastic - Aug 02 2022

web scholastic early learners kindergarten mix match silly sentences activity book with flash cards and divided pages for mixing matching and creating silly sentences

[mix match silly sentences kindergarten workbook scholastic](#) - Jan 27 2022

mix match silly sentences kindergarten workbook scholastic - Feb 25 2022

[kindergarten mix match silly sentences by scholastic](#) - Mar 09 2023

web dec 26 2017 mix match silly sentences kindergarten workbook scholastic early learners workbook scholastic 9781338255928 books amazon ca

product detail page scholastic - Jul 13 2023

web dec 26 2017 a mix and match book with flash cards that builds kindergarten readiness skills from scholastic early learners this kindergarten focused

kindergarten mix match silly sentences by scholastic open - Sep 03 2022

web a mix and match book with flash cards that builds kindergarten readiness skills from scholastic early learners this kindergarten focused mix and match book allows

mix match silly sentences kindergarten workbook scholastic - Oct 04 2022

web buy mix match silly sentences kindergarten workbook scholastic early learners workbook hardcover book by scholastic from as low as 5 56 free shipping on all

[mix match silly sentences kindergarten workbook scholastic](#) - Apr 29 2022

web note since your browser does not support javascript you must press the button below once to proceed

[scholastic early learners kindergarten mix match](#) - Aug 14 2023

web mix match silly sentences kindergarten workbook scholastic early learners workbook scholastic amazon com tr kitap

kindergarten mezcla y combina oraciones divertidas - Nov 24 2021

scholastic early learners mix match silly sentences - May 11 2023

web read reviews and buy mix match silly sentences kindergarten workbook scholastic early learners workbook hardcover at target choose from same day delivery

post data aemauthor shop scholastic com - Dec 26 2021

[scholastic early learners kindergarten mix match silly](#) - Jul 01 2022

web mix match silly sentences kindergarten workbook scholastic early learners workbook by scholastic from flipkart com only genuine products 30 day

[mix match silly sentences kindergarten workbook scholastic](#) - Jun 12 2023

web mix match silly sentences kindergarten workbook scholastic early learners workbook scholastic amazon com au books *prepositions of place english exercises esl* - Feb 10 2023

web place prepositions elementary prepositions elementary pdf prepositions of place place and directions exercises with verbs of movement place and movements pdf

prepositions of place in on at learnenglish - Oct 06 2022

web put in the correct preposition 1 he s swimming the river check show 2 where s julie she s school

[prepositions of place exercise 2 perfect english grammar](#) - Mar 31 2022

web prepositions of place we can use prepositions of place to say where things are i was in the kitchen my dog likes sleeping on the sofa the toys aren t under the table how to

prepositions of place exercise at work etc autoenglish org - Jun 14 2023

web this is an online preposition exercise about prepositions of place at on in with places exercise prepositions of place exercise by bob wilson at

exercise 1 prepositions of place project oxford university press - Aug 04 2022

web prepositions of place exercise arrive in cities and countries arrive at other places work school etc arrive to never get to except get home at the hospital you work

prepositions of place exercise home of english grammar - Jan 09 2023

web may 14 2011 latest exercises english vocabulary exercise september 13 2023 prefixes exercise september 12 2023 tenses quiz september 10 2023 gap filling

exercises prepositions of place and location in english - Dec 08 2022

web exercises prepositions of place and location in english how to use to in and at prepositions in english grammar

prepositions exercises prepositions in on at

[prepositions of place perfect english grammar](#) - Nov 07 2022

web on the bus on a train on a plane on the radio at home at work click here to download this explanation as a pdf try an exercise about prepositions of place here try another

prepositions of place exercise autoenglish org pdf4pro - Jul 03 2022

web prepositions of place downloadable worksheets preposition of place level elementary downloads 8697 my dream house level elementary 7 11 4937

prepositions of place exercise autoenglish org download - Dec 28 2021

web prepositions of place exercises welcome to english exercises created by teachers from all over the world if you are learning english language you can use these

[preposition exercises autoenglish org](#) - May 13 2023

web preposition exercises prepositions online study english online free exercises mp3 lessons and video lessons key grammar index

[prepositions of place exercise autoenglish org](#) - Jan 29 2022

web autoenglish org written by bob wilson robert clifford mcnair wilson 2008 prepositions of place exercise Š arrive in cities and countries exercise

prepositions of place and location exercises english exercises - Mar 11 2023

web place and location write prepositions game prepositions match next to under between in front of behind over on in under where is the dog where is the cat

prepositions of direction exercise at auto english - May 01 2022

web put in the correct preposition 1 the wine is the bottle 2 pass me the dictionary it s the bookshelf 3 jennifer is work

prepositions of place exercise at auto english - Apr 12 2023

web choose the correct answer below to fill the gap 1 15 the grammar aquarium

prepositions of place learnenglish kids - Feb 27 2022

web 1prepositionsof placeexercisearrive in cities and countries arrive at other places work school etc arrive to never get to except get home at the hospital you work

prepositions of place exercise autoenglish org - Jul 15 2023

web prepositions of place exercise fill the gaps with at in on or to i get work at 9 i arrive work at 9 we arrived paris at five in the morning samantha

prepositions of place exercise 1 perfect english grammar - Sep 05 2022

web 1 day ago students project level 1 unit 5 grammar exercise 1 prepositions of place

english exercises prepositions of place - Jun 02 2022

web prepositions of direction exercise prepositions of direction exercise across in on straight along into out through at of past under fill the gaps below using the

prepositions of place exercise autoenglish org - Aug 16 2023

web vocabulary prepositions of place exercise prepositions of place exercise on in front of etc choose the correct answer below to fill the gap show all questions 1 15 i had the best time of my life university in on to at

prepositions of place exercises - Nov 26 2021