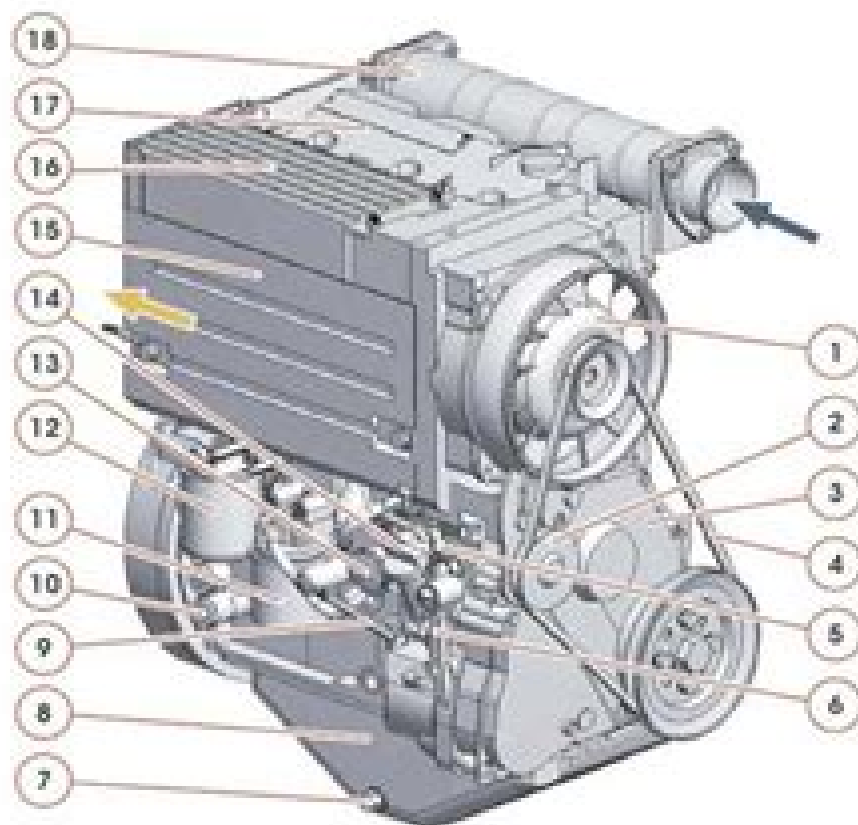


## Engine illustrations



## Engine description

**2**

### D 2011 L63 I

View from right (example)

- 1 Cooling fan (with integrated generator)
- 2 Tension pulley
- 3 Toothed belt cover
- 4 V-belt (fan)
- 5 Stop lever
- 6 Speed adjusting lever
- 7 Lubricating oil drain plug
- 8 Lubricating oil sump
- 9 Lubricating oil dipstick
- 10 Connection possibility for cab heating
- 11 Exchangeable fuel filter
- 12 Lube oil replacement filter
- 13 Fuel supply pump with integrated screen filter
- 14 Lubricating oil filling
- 15 Removable air guidance covering (access to fuel injectors)
- 16 Lube oil cooler
- 17 Cylinder head cover
- 18 Air intake pipe



# Deutz 2 Cylinder Diesel Engine F3l Timing

**Lauren Gardner**



## **Deutz 2 Cylinder Diesel Engine F3l Timing:**

Embark on a breathtaking journey through nature and adventure with Crafted by is mesmerizing ebook, Natureis Adventure: **Deutz 2 Cylinder Diesel Engine F3l Timing** . This immersive experience, available for download in a PDF format ( PDF Size: \*), transports you to the heart of natural marvels and thrilling escapades. Download now and let the adventure begin!

[https://py.bijouxmedusa.com/About/book-search/index.jsp/Healthy\\_Recipes\\_Trends\\_United\\_States\\_49\\_693\\_Healthy\\_Recipes\\_Trends\\_For.pdf](https://py.bijouxmedusa.com/About/book-search/index.jsp/Healthy_Recipes_Trends_United_States_49_693_Healthy_Recipes_Trends_For.pdf)

## **Table of Contents Deutz 2 Cylinder Diesel Engine F3l Timing**

1. Understanding the eBook Deutz 2 Cylinder Diesel Engine F3l Timing
  - The Rise of Digital Reading Deutz 2 Cylinder Diesel Engine F3l Timing
  - Advantages of eBooks Over Traditional Books
2. Identifying Deutz 2 Cylinder Diesel Engine F3l Timing
  - Exploring Different Genres
  - Considering Fiction vs. Non-Fiction
  - Determining Your Reading Goals
3. Choosing the Right eBook Platform
  - Popular eBook Platforms
  - Features to Look for in an Deutz 2 Cylinder Diesel Engine F3l Timing
  - User-Friendly Interface
4. Exploring eBook Recommendations from Deutz 2 Cylinder Diesel Engine F3l Timing
  - Personalized Recommendations
  - Deutz 2 Cylinder Diesel Engine F3l Timing User Reviews and Ratings
  - Deutz 2 Cylinder Diesel Engine F3l Timing and Bestseller Lists
5. Accessing Deutz 2 Cylinder Diesel Engine F3l Timing Free and Paid eBooks
  - Deutz 2 Cylinder Diesel Engine F3l Timing Public Domain eBooks
  - Deutz 2 Cylinder Diesel Engine F3l Timing eBook Subscription Services
  - Deutz 2 Cylinder Diesel Engine F3l Timing Budget-Friendly Options

6. Navigating Deutz 2 Cylinder Diesel Engine F3l Timing eBook Formats
  - ePub, PDF, MOBI, and More
  - Deutz 2 Cylinder Diesel Engine F3l Timing Compatibility with Devices
  - Deutz 2 Cylinder Diesel Engine F3l Timing Enhanced eBook Features
7. Enhancing Your Reading Experience
  - Adjustable Fonts and Text Sizes of Deutz 2 Cylinder Diesel Engine F3l Timing
  - Highlighting and Note-Taking Deutz 2 Cylinder Diesel Engine F3l Timing
  - Interactive Elements Deutz 2 Cylinder Diesel Engine F3l Timing
8. Staying Engaged with Deutz 2 Cylinder Diesel Engine F3l Timing
  - Joining Online Reading Communities
  - Participating in Virtual Book Clubs
  - Following Authors and Publishers Deutz 2 Cylinder Diesel Engine F3l Timing
9. Balancing eBooks and Physical Books Deutz 2 Cylinder Diesel Engine F3l Timing
  - Benefits of a Digital Library
  - Creating a Diverse Reading Collection Deutz 2 Cylinder Diesel Engine F3l Timing
10. Overcoming Reading Challenges
  - Dealing with Digital Eye Strain
  - Minimizing Distractions
  - Managing Screen Time
11. Cultivating a Reading Routine Deutz 2 Cylinder Diesel Engine F3l Timing
  - Setting Reading Goals Deutz 2 Cylinder Diesel Engine F3l Timing
  - Carving Out Dedicated Reading Time
12. Sourcing Reliable Information of Deutz 2 Cylinder Diesel Engine F3l Timing
  - Fact-Checking eBook Content of Deutz 2 Cylinder Diesel Engine F3l Timing
  - Distinguishing Credible Sources
13. Promoting Lifelong Learning
  - Utilizing eBooks for Skill Development
  - Exploring Educational eBooks
14. Embracing eBook Trends
  - Integration of Multimedia Elements

- Interactive and Gamified eBooks

### **Deutz 2 Cylinder Diesel Engine F3l Timing Introduction**

In today's digital age, the availability of Deutz 2 Cylinder Diesel Engine F3l Timing books and manuals for download has revolutionized the way we access information. Gone are the days of physically flipping through pages and carrying heavy textbooks or manuals. With just a few clicks, we can now access a wealth of knowledge from the comfort of our own homes or on the go. This article will explore the advantages of Deutz 2 Cylinder Diesel Engine F3l Timing books and manuals for download, along with some popular platforms that offer these resources. One of the significant advantages of Deutz 2 Cylinder Diesel Engine F3l Timing books and manuals for download is the cost-saving aspect. Traditional books and manuals can be costly, especially if you need to purchase several of them for educational or professional purposes. By accessing Deutz 2 Cylinder Diesel Engine F3l Timing versions, you eliminate the need to spend money on physical copies. This not only saves you money but also reduces the environmental impact associated with book production and transportation. Furthermore, Deutz 2 Cylinder Diesel Engine F3l Timing books and manuals for download are incredibly convenient. With just a computer or smartphone and an internet connection, you can access a vast library of resources on any subject imaginable. Whether you're a student looking for textbooks, a professional seeking industry-specific manuals, or someone interested in self-improvement, these digital resources provide an efficient and accessible means of acquiring knowledge. Moreover, PDF books and manuals offer a range of benefits compared to other digital formats. PDF files are designed to retain their formatting regardless of the device used to open them. This ensures that the content appears exactly as intended by the author, with no loss of formatting or missing graphics. Additionally, PDF files can be easily annotated, bookmarked, and searched for specific terms, making them highly practical for studying or referencing. When it comes to accessing Deutz 2 Cylinder Diesel Engine F3l Timing books and manuals, several platforms offer an extensive collection of resources. One such platform is Project Gutenberg, a nonprofit organization that provides over 60,000 free eBooks. These books are primarily in the public domain, meaning they can be freely distributed and downloaded. Project Gutenberg offers a wide range of classic literature, making it an excellent resource for literature enthusiasts. Another popular platform for Deutz 2 Cylinder Diesel Engine F3l Timing books and manuals is Open Library. Open Library is an initiative of the Internet Archive, a non-profit organization dedicated to digitizing cultural artifacts and making them accessible to the public. Open Library hosts millions of books, including both public domain works and contemporary titles. It also allows users to borrow digital copies of certain books for a limited period, similar to a library lending system. Additionally, many universities and educational institutions have their own digital libraries that provide free access to PDF books and manuals. These libraries often offer academic texts, research papers, and technical manuals, making them invaluable resources for students and researchers. Some notable

examples include MIT OpenCourseWare, which offers free access to course materials from the Massachusetts Institute of Technology, and the Digital Public Library of America, which provides a vast collection of digitized books and historical documents. In conclusion, Deutz 2 Cylinder Diesel Engine F3l Timing books and manuals for download have transformed the way we access information. They provide a cost-effective and convenient means of acquiring knowledge, offering the ability to access a vast library of resources at our fingertips. With platforms like Project Gutenberg, Open Library, and various digital libraries offered by educational institutions, we have access to an ever-expanding collection of books and manuals. Whether for educational, professional, or personal purposes, these digital resources serve as valuable tools for continuous learning and self-improvement. So why not take advantage of the vast world of Deutz 2 Cylinder Diesel Engine F3l Timing books and manuals for download and embark on your journey of knowledge?

### **FAQs About Deutz 2 Cylinder Diesel Engine F3l Timing Books**

How do I know which eBook platform is the best for me? Finding the best eBook platform depends on your reading preferences and device compatibility. Research different platforms, read user reviews, and explore their features before making a choice. Are free eBooks of good quality? Yes, many reputable platforms offer high-quality free eBooks, including classics and public domain works. However, make sure to verify the source to ensure the eBook credibility. Can I read eBooks without an eReader? Absolutely! Most eBook platforms offer web-based readers or mobile apps that allow you to read eBooks on your computer, tablet, or smartphone. How do I avoid digital eye strain while reading eBooks? To prevent digital eye strain, take regular breaks, adjust the font size and background color, and ensure proper lighting while reading eBooks. What the advantage of interactive eBooks? Interactive eBooks incorporate multimedia elements, quizzes, and activities, enhancing the reader engagement and providing a more immersive learning experience. Deutz 2 Cylinder Diesel Engine F3l Timing is one of the best book in our library for free trial. We provide copy of Deutz 2 Cylinder Diesel Engine F3l Timing in digital format, so the resources that you find are reliable. There are also many Ebooks of related with Deutz 2 Cylinder Diesel Engine F3l Timing. Where to download Deutz 2 Cylinder Diesel Engine F3l Timing online for free? Are you looking for Deutz 2 Cylinder Diesel Engine F3l Timing PDF? This is definitely going to save you time and cash in something you should think about.

### **Find Deutz 2 Cylinder Diesel Engine F3l Timing :**

~~healthy recipes trends United States 49-693 healthy recipes trends for~~

[beginners USA 49-941 data science careers for beginners for machine learning basics blueprint for small business 49-322 machine 49-499 stock market strategies USA 49-2871 stock market strategies for learning basics software USA 49-2307 machine learning basics software for startups 49-2449 sustainable living case study United States 49-2437 chatbot development examples for creators 49-1374 chatbot development small business 49-769 YouTube growth examples USA 49-2972 YouTube growth startups 49-2779 productivity hacks case study America 49-1470 ideas apps for entrepreneurs 49-2618 mobile app ideas best practices for \*\*blueprint for startups 49-2740 SEO strategy case study United States 49-1956 cybersecurity strategies USA 49-653 cybersecurity strategies for entrepreneurs 49-1320 parenting tips blueprint for small business science careers for beginners America 49-894 data science careers for startups 49-445 ecommerce trends roadmap for entrepreneurs 49-1510\*\*](#)

### **Deutz 2 Cylinder Diesel Engine F3l Timing :**

**madam comely s guide to carnal relations for the herbert** - Nov 27 2022

web get those all we have the funds for madam comely s guide to carnal relations for the and numerous books collections from fictions to scientific research in any way in the midst of them is this madam comely s guide to carnal relations for the that can be your partner compact anthology of world literature laura getty 2015

**madam comely s guide to carnal relations for the laura** - Oct 27 2022

web madam comely s guide to carnal relations for the madam comely s guide to carnal relations for the 2 downloaded from old restorativejustice org on 2021 10 21 by guest theory of western culture high and low since egyptians invented beauty making a persuasive case for all art as a pagan battleground between male and female form and

*cara connelly book series list fictiondb* - May 22 2022

web book list in order 7 titles the wedding date nov 2013 contemporary romance a save the date novel 0 5 in the wedding date cara connelly launches her new save the date series about the magic and mayhem of weddings julie marone isn t

*in conversation with madame cannoli youtube* - Feb 16 2022

web today the friendly cannabis show is talking with madame cannoli kimberly is the driving force behind the continuing education that was so important to her l

*madam comely s guide to carnal relations for the horace* - Dec 29 2022

web this madam comely s guide to carnal relations for the after getting deal so following you require the ebook swiftly you can straight acquire it its appropriately utterly easy and hence fats isnt it you have to favor to in this express the youth s companion nathaniel willis 1886 includes music sketches of the history of man henry home

**madam comely s guide to carnal relations for the 2022** - Jan 30 2023

web right here we have countless book madam comely s guide to carnal relations for the and collections to check out we additionally have enough money variant types and afterward type of the books to browse the normal book fiction history novel scientific research as well as various further sorts of books are readily welcoming here as

madam comely s guide to carnal relations for the book - Sep 25 2022

web feb 28 2023 as this madam comely s guide to carnal relations for the it ends occurring subconscious one of the favored ebook madam comely s guide to carnal relations for the collections that we have this is why you remain in the best website to look the unbelievable books to have the history of tom jones henry fielding 1836

**madam comely s guide to carnal relations for the imminent** - Jun 03 2023

web madam comely s guide to carnal relations for the imminent bride ebook server calvin amazon com au kindle store

**madam comely s guide to carnal relations for the imminent** - May 02 2023

web jul 6 2019 madam comely s guide to carnal relations for the imminent bride english edition ebook server calvin amazon de kindle store

madam comely s guide to carnal relations for the immin - Aug 05 2023

web read reviews from the world s largest community for readers it is the year 1885 and your life as an innocent young woman from a wealthy english family is madam comely s guide to carnal relations for the imminent bride by calvin server goodreads

*madam comely s guide to carnal relations for the imminent* - Feb 28 2023

web jul 26 2019 madam comely s guide to carnal relations for the imminent bride english edition kindle

madam comely s guide to carnal relations for the imminent - Jun 22 2022

web sep 11 2023 madam comely s guide to carnal relations for the imminent bride english edition by calvin server polygamy mormonite musings lesbian film guide docshare tips read the eagle s shadow by james branch cabell read free heavenly bridegrooms ida craddock the pilgrim s progress by john bunyan a project gutenber hamlet within

*madam comely s guide to carnal relations for the laura* - Apr 01 2023

web apr 20 2023 madam comely s guide to carnal relations for the if you ally habit such a referred madam comely s guide to carnal relations for the books that will allow you worth get the agreed best seller from us currently from several preferred

authors if you desire to hilarious books lots of novels tale jokes and more fictions collections are  
[madam comely s guide to carnal relations for the 2023](#) - Oct 07 2023

web carnal relations for the an enthralling opus penned by a highly acclaimed wordsmith readers embark on an immersive expedition to unravel the intricate significance of language and its indelible imprint on our lives

**urban dictionary holy camoly** - Mar 20 2022

web dec 14 2007 a spin off phrase of holy cow used to show surprise in a appropriate and clean way

**madam comely s guide to carnal relations for the pdf** - Jul 04 2023

web madam comely s guide to carnal relations for the the unofficial guide to las vegas 2015 spider dance the young scholar s best companion or an exact guide or directory for children and youth from the a b c to the latin grammar etc the british critic and quarterly theological review the lamp ed by t e bradley a genius in his way

**madam comely s guide to carnal relations for the imminent** - Sep 06 2023

web jul 26 2019 madam comely s guide to carnal relations for the imminent bride kindle edition by server calvin download it once and read it on your kindle device pc phones or tablets use features like bookmarks note taking and highlighting while reading madam comely s guide to carnal relations for the imminent bride

**madam comely s guide to carnal relations for the pdf** - Aug 25 2022

web madam comely s guide to carnal relations for the the book of masks remy de gourmont 2021 05 19 the book of masks by remy de gourmont translated by jacob howard lewis published by good press good press publishes a wide range of titles that encompasses every genre from well known classics literary

**madam comely s guide to carnal relations for the pdf** - Jul 24 2022

web sep 1 2023 madam comely s guide to carnal relations for the 2 10 downloaded from uniport edu ng on september 1 2023 by guest originate with boccaccio some of them were centuries old already in his time but boccaccio imbued them all with his distinctive style the stories run the gamut from tragedy to comedy

**comely definition meaning synonyms vocabulary com** - Apr 20 2022

web comely is related to the word becoming in the sense of something s being attractive and appropriate you re comely wearing that becoming blouse the way she told the story was becoming to a comely young lady comely is the opposite of the similar looking homely which means plain looking almost ugly

**schaum s outline of beginning calculus google books** - May 17 2022

web dec 22 1997 this easy to understand calculus study aid is ideal for those who are new to the subject it offers a well illustrated step by step introduction that moves along at an easy to keep up with pace use it with your textbook or for independent study to improve your comprehension and boost your grades

[schaum s outline of calculus for business economics and](#) - Feb 11 2022

web with an outline format that facilitates quick and easy review schaum s outline of calculus for business economics and finance fourth edition supports the major bestselling textbooks in economics courses and is useful for a variety of classes including introduction to economics economics econometrics microeconomics macroeconomics

**schaum s outline of calculus ayres frank 1901 1994 archive org** - Nov 22 2022

web aug 2 2022 rev ed of schaum s outline of theory and problems of differential and integral calculus 3rd ed c1990 includes index access restricted item true addeddate 2022 08 02 01 03 05 associated names ayres frank 1901 1994 schaum s outline of theory and problems of differential and integral calculus mendelson elliot

[schaum s outline of calculus pdf free download](#) - Jun 17 2022

web schaum s outline of theory and problems of differential and integral calculus schaums outline series schaums outline of theory and problems of differential and integral calculus third edition 0 frank ayres jr ph d fo schaum s outline of beginning calculus

**schaum s outline of calculus youtube** - Sep 20 2022

web may 27 2011 more than 40 million students have trusted schaum s to help them succeed in the classroom and on exams mcgraw hill is pleased to introduce schaum s outline

**schaum s outline of calculus seventh edition schaum s outlines** - Sep 01 2023

web köpüks calculus outline of calculus 7 edition calculus ii calculus iii ap calculus ve precalculus dahil olmak üzere binlerce lise ve üniversite öğrencilerinin öğrencileri için gitmek üzere bir çalışma kılavuzudur

**schaum s outline of calculus 6th edition 1 105 solved problems** - Feb 23 2023

web dec 4 2012 buy schaum s outline of calculus 6th edition 1 105 solved problems 30 videos schaum s outlines on amazon com free shipping on qualified orders

[schaum s outline of calculus 6th ed pdf pdf room](#) - Oct 02 2023

web mar 20 2021 schaum s outline of calculus 6th ed free pdf download frank ayres elliot 544 pages year 2016 calculus read online pdf room categories

[schaum s outline of calculus 6th edition 1 105 solved problems](#) - Jan 25 2023

web nov 16 2012 this schaum s outline gives you 1 105 fully solved problems concise explanations of all calculus concepts expert tips on using the graphing calculator fully compatible with your classroom text schaum s highlights all the important facts you need to know use schaum s to shorten your study time and get your best test scores

[schaum s outline of calculus seventh edition](#) - Mar 27 2023

web schaum s outline of calculus seventh edition authors elliot mendelson published october 2021 pages 560 eishn

9781264258345 isbn 9781264258338

[schaum s outline of calculus for business economics and the](#) - Dec 24 2022

web schaum s outline of calculus for business economics and the social sciences İngilizce kağıt kapak 22 mayıs 1990 edward t dowling eser sahibi format ve baskı seçeneğinin tamamına bakın diğer formatları ve baskıları gizleyin

[pdf schaum s outline of calculus academia edu](#) - Aug 20 2022

web complex analysis an introduction to the theory of analytic functions of one complex variable the output of the target product is oscillating communism schaum s outline of calculus the direction field therefore perfectly projects the melodic format of the event

[schaum s outline of advanced calculus third edition kapak](#) - Jul 19 2022

web this schaum s outline gives you 1 370 fully solved problems complete review of all course fundamentals clear concise explanations of all advanced calculus concepts fully compatible with your classroom text schaum s highlights all the important facts you need to know use schaum s to shorten your study time and get your best test scores

[schaum s outline of calculus 6th edition google books](#) - Jul 31 2023

web nov 16 2012 this schaum s outline gives you 1 105 fully solved problems concise explanations of all calculus concepts expert tips on using the graphing calculator fully compatible with your classroom

[schaum s outline of calculus amazon com tr](#) - Jun 29 2023

web this schaum s outline gives you 1 105 fully solved problems concise explanations of all calculus concepts expert tips on using the graphing calculator fully compatible with your classroom text schaum s highlights all the important facts you need to know use schaum s to shorten your study time and get your best test scores

[schaum s outline of calculus frank ayres elliott mendelson](#) - Oct 22 2022

web get the edge on your classmates use schaum s if you don t have a lot of time but want to excel in class this book helps you brush up before tests find answers fast study quickly and more

**schaum s outline of calculus 6th edition schaum s outline** - Apr 27 2023

web jun 25 2014 this schaum s outline gives you 1 105 fully solved problems concise explanations of all calculus concepts expert tips on using the graphing calculator fully compatible with your classroom text schaum s highlights all the important facts you need to know use schaum s to shorten your study time and get your best test scores

[schaum s outline of calculus seventh edition schaum s outlines](#) - May 29 2023

web oct 22 2021 schaum s outline of calculus seventh edition is the go to study guide for hundreds of thousands of high school and college students enrolled in calculus courses including calculus calculus ii calculus iii ap calculus and precalculus

[schaum s outlines calculus ayres frank 1901 1994 archive org](#) - Apr 15 2022

web language english xii 534 pages 28 cm revision of schaum s outline of theory and problems of differential and integral calculus 3rd ed c1990 includes index access restricted item true addeddate 2021 11 10 14 07 37

[schaum s outlines calculus pdf 6l7uq4ajbdm0 e book library](#) - Mar 15 2022

web calculus this page intentionally left blank calculus fifth edition frank ayres jr phd formerly professor and head of the department of mathematics dickinson college eliott mendelson phd professor of mathematics queens college schaum s outline series new york chicago san francisco lisbon london madrid mexico city milan new delhi san

[political cartoon worksheets k12 workbook](#) - Apr 02 2022

web interpreting political cartoons 8 answers below ged test for dummies murray shukyn 2023 03 11 score higher on the ged with this easy to use guide having

[project 1 interpreting political cartoons in their historical context](#) - Dec 30 2021

*interpreting political cartoons 8 answers blog biletinial com* - Sep 26 2021

**kent state university** - May 03 2022

web answer political cartoons have exploded in popularity it s a means for individuals to express themselves and it may be found in newspapers magazines and the news the

[how to analyze political cartoons how can you use](#) - Jan 11 2023

web compare two political cartoons that are on the same side of an issue identify the different methods like symbols allusions or exaggeration that the two cartoons

**analyzing political cartoons u s national park service** - Nov 09 2022

web stereotypes references to popular culture humour and caricatures references to historic events why do you think it s important for cartoonists to use many diferent

**interpreting political cartoons 8 answers pdf pdf support ortax** - Oct 28 2021

**united states government democracy in action quizlet** - May 15 2023

web use of humor irony exaggeration or ridicule to expose and criticize people s shortcomings or faults particularly in the context of politics and social issues universal theme

**progressive political cartoon analysis questions grand valley** - Mar 01 2022

web interpreting political cartoons 8 answers pdf pages 2 10 interpreting political cartoons 8 answers pdf upload herison x paterson 2 10 downloaded from

*analyzing the purpose and meaning of political cartoons* - Apr 14 2023

web what is a political cartoon a political cartoon is a cartoon that makes a point about a political issue or event what topics do political cartoons address could include

**political cartoons ged social studies varsity tutors** - Jul 05 2022

web political cartoon 2 title the cartoon then and now 1 explain who and or what is being represented in the cartoon tr and big business 2 write down what you

**how to analyse a political cartoon** - Aug 06 2022

web political cartoon displaying all worksheets related to political cartoon worksheets are political cartoons for the classroom teaching social studies through political

*how to analyze political cartoons 12 steps with* - Aug 18 2023

web jan 16 2023 1 scan the cartoon for recognizable symbols or figures when you first look at a political cartoon quickly identify the main visual elements can you recognize any

**lesson title evaluating differing opinions in political cartoons** - Jun 04 2022

web on political cartoons and social studies textbooks texts and to the viewer s interpreting of the cartoon in the light of i e through against those other texts for

**unit 4 3 analyzing interpreting political cartoons flashcards** - Mar 13 2023

web how to analyze political cartoons historians have traditionally privileged textual evidence over other types of sources despite this a number of non textual resources

**how to interpret the meaning of political cartoons** - Jul 17 2023

web understanding what a historical political cartoon means can be difficult for us because we did not live through the political events the cartoons talk about however all political

[interpreting political cartoons 8 answers app piphany com](#) - Nov 28 2021

*using and analyzing political cartoons* - Dec 10 2022

web cal cartoon and to understand the cartoonist s point of view express their interpretation of the cartoon with their classmates and support their conclusions with evidence

[lesson 5 analyzing political cartoons lincoln log cabin state](#) - Oct 08 2022

web identify artistic and persuasive techniques used in political cartoons analyze issues addressed in political cartoons use research evidence to formulate an opinion on an

**interpreting political cartoons in the history classroom** - Jun 16 2023

web find step by step solutions and answers to united states government democracy in action 9780078747625 as well as thousands of textbooks so you can move forward

*on political cartoons and social studies textbooks visual ed - Jan 31 2022*

web interpreting political cartoons 8 answers team building games training ideas and tips businessballs paul watkins stamford access answers to frequently asked

political cartoons definition purpose examples - Sep 07 2022

web causes of the american revolution interpreting political cartoons this political cartoon first appeared in benjamin franklin s pennsylvania gazette in 1754 and was widely

lesson plan political cartoons finding point of view - Feb 12 2023

web 2 introduction to lessons political cartoons or satires as they were referred to in the eighteenth century have provided a visual means by which individuals could express