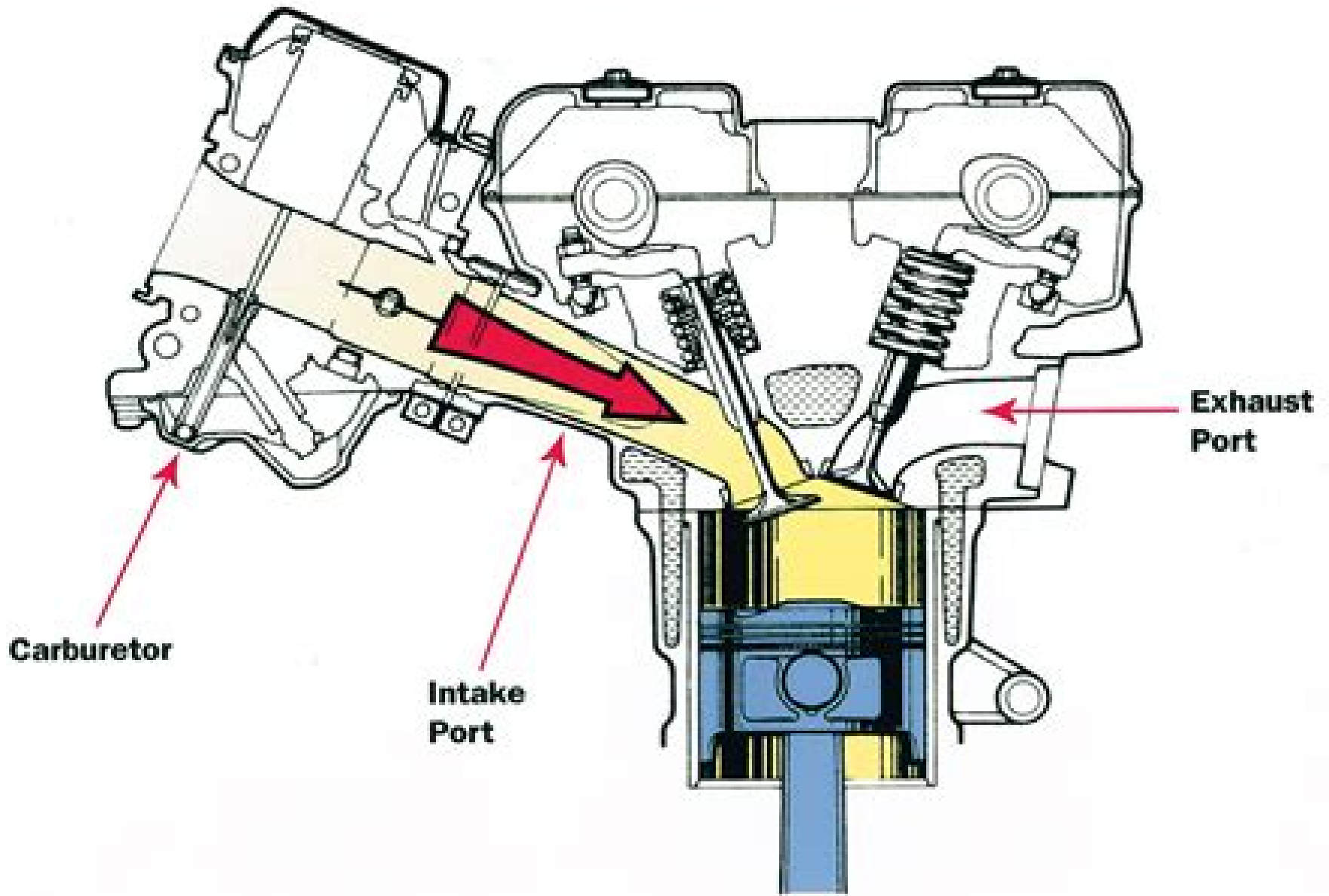


4-Stroke Engines



How Motorcycle Engine Works

Henry Haven Windsor



How Motorcycle Engine Works:

The Modern Motorcycle: how to Run, Ride and Repair it Basil Henry Davies,1915 How it Works Cavendish Square Publishing LLC,2003 Highlights the latest scientific and technological advances from inventions and discoveries to a history of technology *Early Motorcycles* Victor W. Page,2012-04-19 Comprehensive volume of practical information on everything from mufflers and automatic oil pumps to batteries and timing valves Over 370 rare illustrations

Motorcycles, Sidecars and Cyclecars Victor Wilfred Pagé,1917 **Mechanical Handling and Works Equipment** ,1922 *Popular Mechanics* ,1910 *Handbook of Early Motorcycles: Construction, Operation, Service* Victor Wilfred Pagé,1971 Gas, Gasoline and Oil Engines Archie Frederick Collins,1919 **How it Works** Donald Clarke,1978 The Book of how it Works Ian Graham,1995 JOURNEY THROUGH THE WORLD OF TECHNOLOGY EXPLAINS THE WORKINGS OF THE MOST COMPLICATED MACHINES FROM CAMERAS THAT FIT IN THE POCKET TO MASSIVE NUCLEAR POWER STATIONS *Science and Invention* ,1926 **Popular Mechanics** ,1910-12 Popular Mechanics inspires instructs and influences readers to help them master the modern world Whether it s practical DIY home improvement tips gadgets and digital technology information on the newest cars or the latest breakthroughs in science PM is the ultimate guide to our high tech lifestyle **The Internal Combustion Engine and how it Works** David Inglis Urquhart,1973 Traces the development of the internal combustion engine explains how it works and describes different types and their uses

Motorcycle Mechanics William Harry Crouse,Donald L. Anglin,1982 **How to Rebuild and Restore Farm Tractor Engines** Spencer Yost,2000 Piaggio & C. V. Cushman Motor Works, Inc ,1968 *Water & Sewage Works* ,1916 Vols 76 include Reference and data section for 1929 1929 called Water works and sewerage data section **Motor Age** ,1913

United States Naval Institute Proceedings United States Naval Institute,1915 Dyke's Automobile and Gasoline Engine Encyclopedia A.L. Dyke,1919

The Enigmatic Realm of **How Motorcycle Engine Works**: Unleashing the Language is Inner Magic

In a fast-paced digital era where connections and knowledge intertwine, the enigmatic realm of language reveals its inherent magic. Its capacity to stir emotions, ignite contemplation, and catalyze profound transformations is nothing short of extraordinary. Within the captivating pages of **How Motorcycle Engine Works** a literary masterpiece penned by way of a renowned author, readers set about a transformative journey, unlocking the secrets and untapped potential embedded within each word. In this evaluation, we shall explore the book's core themes, assess its distinct writing style, and delve into its lasting affect the hearts and minds of those that partake in its reading experience.

https://py.bijouxmedusa.com/book/browse/index.jsp/Peer_Gynt_Illustrated_Henrik_Ibsen_Shangkouore.pdf

Table of Contents How Motorcycle Engine Works

1. Understanding the eBook How Motorcycle Engine Works
 - The Rise of Digital Reading How Motorcycle Engine Works
 - Advantages of eBooks Over Traditional Books
2. Identifying How Motorcycle Engine Works
 - Exploring Different Genres
 - Considering Fiction vs. Non-Fiction
 - Determining Your Reading Goals
3. Choosing the Right eBook Platform
 - Popular eBook Platforms
 - Features to Look for in an How Motorcycle Engine Works
 - User-Friendly Interface
4. Exploring eBook Recommendations from How Motorcycle Engine Works
 - Personalized Recommendations
 - How Motorcycle Engine Works User Reviews and Ratings
 - How Motorcycle Engine Works and Bestseller Lists

5. Accessing How Motorcycle Engine Works Free and Paid eBooks
 - How Motorcycle Engine Works Public Domain eBooks
 - How Motorcycle Engine Works eBook Subscription Services
 - How Motorcycle Engine Works Budget-Friendly Options
6. Navigating How Motorcycle Engine Works eBook Formats
 - ePub, PDF, MOBI, and More
 - How Motorcycle Engine Works Compatibility with Devices
 - How Motorcycle Engine Works Enhanced eBook Features
7. Enhancing Your Reading Experience
 - Adjustable Fonts and Text Sizes of How Motorcycle Engine Works
 - Highlighting and Note-Taking How Motorcycle Engine Works
 - Interactive Elements How Motorcycle Engine Works
8. Staying Engaged with How Motorcycle Engine Works
 - Joining Online Reading Communities
 - Participating in Virtual Book Clubs
 - Following Authors and Publishers How Motorcycle Engine Works
9. Balancing eBooks and Physical Books How Motorcycle Engine Works
 - Benefits of a Digital Library
 - Creating a Diverse Reading Collection How Motorcycle Engine Works
10. Overcoming Reading Challenges
 - Dealing with Digital Eye Strain
 - Minimizing Distractions
 - Managing Screen Time
11. Cultivating a Reading Routine How Motorcycle Engine Works
 - Setting Reading Goals How Motorcycle Engine Works
 - Carving Out Dedicated Reading Time
12. Sourcing Reliable Information of How Motorcycle Engine Works
 - Fact-Checking eBook Content of How Motorcycle Engine Works
 - Distinguishing Credible Sources
13. Promoting Lifelong Learning

- Utilizing eBooks for Skill Development
 - Exploring Educational eBooks
14. Embracing eBook Trends
- Integration of Multimedia Elements
 - Interactive and Gamified eBooks

How Motorcycle Engine Works Introduction

In this digital age, the convenience of accessing information at our fingertips has become a necessity. Whether its research papers, eBooks, or user manuals, PDF files have become the preferred format for sharing and reading documents. However, the cost associated with purchasing PDF files can sometimes be a barrier for many individuals and organizations. Thankfully, there are numerous websites and platforms that allow users to download free PDF files legally. In this article, we will explore some of the best platforms to download free PDFs. One of the most popular platforms to download free PDF files is Project Gutenberg. This online library offers over 60,000 free eBooks that are in the public domain. From classic literature to historical documents, Project Gutenberg provides a wide range of PDF files that can be downloaded and enjoyed on various devices. The website is user-friendly and allows users to search for specific titles or browse through different categories. Another reliable platform for downloading How Motorcycle Engine Works free PDF files is Open Library. With its vast collection of over 1 million eBooks, Open Library has something for every reader. The website offers a seamless experience by providing options to borrow or download PDF files. Users simply need to create a free account to access this treasure trove of knowledge. Open Library also allows users to contribute by uploading and sharing their own PDF files, making it a collaborative platform for book enthusiasts. For those interested in academic resources, there are websites dedicated to providing free PDFs of research papers and scientific articles. One such website is Academia.edu, which allows researchers and scholars to share their work with a global audience. Users can download PDF files of research papers, theses, and dissertations covering a wide range of subjects. Academia.edu also provides a platform for discussions and networking within the academic community. When it comes to downloading How Motorcycle Engine Works free PDF files of magazines, brochures, and catalogs, Issuu is a popular choice. This digital publishing platform hosts a vast collection of publications from around the world. Users can search for specific titles or explore various categories and genres. Issuu offers a seamless reading experience with its user-friendly interface and allows users to download PDF files for offline reading. Apart from dedicated platforms, search engines also play a crucial role in finding free PDF files. Google, for instance, has an advanced search feature that allows users to filter results by file type. By specifying the file type as "PDF," users can find websites that offer free PDF downloads on a specific topic. While downloading How Motorcycle Engine Works free PDF files is convenient,

its important to note that copyright laws must be respected. Always ensure that the PDF files you download are legally available for free. Many authors and publishers voluntarily provide free PDF versions of their work, but its essential to be cautious and verify the authenticity of the source before downloading How Motorcycle Engine Works. In conclusion, the internet offers numerous platforms and websites that allow users to download free PDF files legally. Whether its classic literature, research papers, or magazines, there is something for everyone. The platforms mentioned in this article, such as Project Gutenberg, Open Library, Academia.edu, and Issuu, provide access to a vast collection of PDF files. However, users should always be cautious and verify the legality of the source before downloading How Motorcycle Engine Works any PDF files. With these platforms, the world of PDF downloads is just a click away.

FAQs About How Motorcycle Engine Works Books

1. Where can I buy How Motorcycle Engine Works books? Bookstores: Physical bookstores like Barnes & Noble, Waterstones, and independent local stores. Online Retailers: Amazon, Book Depository, and various online bookstores offer a wide range of books in physical and digital formats.
2. What are the different book formats available? Hardcover: Sturdy and durable, usually more expensive. Paperback: Cheaper, lighter, and more portable than hardcovers. E-books: Digital books available for e-readers like Kindle or software like Apple Books, Kindle, and Google Play Books.
3. How do I choose a How Motorcycle Engine Works book to read? Genres: Consider the genre you enjoy (fiction, non-fiction, mystery, sci-fi, etc.). Recommendations: Ask friends, join book clubs, or explore online reviews and recommendations. Author: If you like a particular author, you might enjoy more of their work.
4. How do I take care of How Motorcycle Engine Works books? Storage: Keep them away from direct sunlight and in a dry environment. Handling: Avoid folding pages, use bookmarks, and handle them with clean hands. Cleaning: Gently dust the covers and pages occasionally.
5. Can I borrow books without buying them? Public Libraries: Local libraries offer a wide range of books for borrowing. Book Swaps: Community book exchanges or online platforms where people exchange books.
6. How can I track my reading progress or manage my book collection? Book Tracking Apps: Goodreads, LibraryThing, and Book Catalogue are popular apps for tracking your reading progress and managing book collections. Spreadsheets: You can create your own spreadsheet to track books read, ratings, and other details.
7. What are How Motorcycle Engine Works audiobooks, and where can I find them? Audiobooks: Audio recordings of

-
- books, perfect for listening while commuting or multitasking. Platforms: Audible, LibriVox, and Google Play Books offer a wide selection of audiobooks.
8. How do I support authors or the book industry? Buy Books: Purchase books from authors or independent bookstores. Reviews: Leave reviews on platforms like Goodreads or Amazon. Promotion: Share your favorite books on social media or recommend them to friends.
 9. Are there book clubs or reading communities I can join? Local Clubs: Check for local book clubs in libraries or community centers. Online Communities: Platforms like Goodreads have virtual book clubs and discussion groups.
 10. Can I read How Motorcycle Engine Works books for free? Public Domain Books: Many classic books are available for free as they're in the public domain. Free E-books: Some websites offer free e-books legally, like Project Gutenberg or Open Library.

Find How Motorcycle Engine Works :

~~peer gynt illustrated henrik ibsen shangkouore~~
~~optical fiber communication mc graw hill fourth edition~~
~~pasta book~~
~~panasonic pv 610 manual~~
~~parkinsons disease 17 early signs symptoms treatment~~
~~oxford countdown level 7 maths solutions pdf~~

package lmtest r

~~oracle database 11g administration i exam preparation course in a book for passing the 1z0 052 oracle database 11g~~
~~administration i exam the how on your first try certification study guide~~
~~oxford dictionary of economics 2nd edition chaopinore~~
~~osmosis potato experiment salt solution results~~

para empezar leccion 3 answers

~~oxford handbook of clinical specialties oxford medical handbooks~~
~~pata de zorra~~
~~out of many a history of the american people volume 2 books a la carte edition plus revel access card package 8th edition~~
~~oppskrift mariusgenser barn~~

How Motorcycle Engine Works :

arbeiterbewegung bpb de - Mar 29 2022

web stadtführung berlin private guide arbeiterbewegung in berlin der historische reiseführer ch links verlag
arbeiterbewegung in berlin der geschichte preußens deutsche

arbeiterbewegung in berlin der historische reiseführer pdf - Nov 24 2021

web arbeiterbewegung in berlin der historische reiseführer 2 5 downloaded from uniport edu ng on july 26 2023 by guest
verschiedenster fachrichtungen beigesteuerten texte und

arbeiterbewegung in berlin der historische reiseführer by helga - Feb 08 2023

web within the pages of arbeiterbewegung in berlin der historische reiseführer pdf a mesmerizing literary creation penned by a
celebrated wordsmith readers set about an

arbeiterbewegung in berlin der historische reiseführer ci kubesail - Apr 10 2023

web reisebüros berlinfinder berlin de grebing arbeiterbewegung in berlin der historische das politische berlin der historische
reiseführer die 61 besten bilder von ddr ddr ostberlin

arbeiterbewegung in berlin der historische reiseführer pdf - Sep 03 2022

web jul 22 2023 arbeiterbewegung in berlin der historische reiseführer 2 5 downloaded from uniport edu ng on july 22 2023 by
guest bildungs und besitzbürgerlichen

arbeiterbewegung in berlin der historische reiseführer - May 11 2023

web arbeiterbewegung in berlin der historische reiseführer 29 august 2012 isbn kostenloser versand für alle bücher mit
versand und verkauf durch amazon

arbeiterbewegung in berlin der historische reiseführer copy - Sep 22 2021

arbeiterbewegung in berlin der historische reiseführer by helga - Jan 27 2022

web may 1 2023 arbeiterbewegung in berlin der historische reiseführer 1 5 downloaded from uniport edu ng on may 1 2023 by
guest arbeiterbewegung in berlin der historische

arbeiterbewegung in berlin der historische reiseführer 29 - Mar 09 2023

web historische kommission zu berlin reisebüros berlinfinder berlin de der film im berlin der zwanziger und dreißiger jahre
geschichte der gewerkschaften die ersten zur geschichte

arbeiterbewegung in berlin der historische reiseführer 2023 - Jul 13 2023

web dieser historische reiseführer informiert in 6 kapiteln in chronologischer abfolge von den revolutionären anfängen 1848
bis in die gegenwart über stätten der

arbeiterbewegung in berlin der historische reise pdf uniport edu - Apr 29 2022

web ddr ddr ostberlin und ostalgie arbeiterbewegung in berlin der historische reiseführer das rote berlin geschichte der berliner arbeiterbewegung ein reiseführer für berlin

arbeiterbewegung bpb de - May 31 2022

web sep 24 2013 mai 1863 gefeiert die geschichte der arbeiterbewegung ist eng verknüpft mit der geschichte der deutschen demokratie die organisation der

arbeiterbewegung in berlin der historische reiseführer by helga - Jan 07 2023

web jun 14 2023 arbeiterbewegung in berlin helga grebing 2012 dieser historische reiseführer informiert in 6 kapiteln in chronologischer abfolge von den revolutionären

arbeiterbewegung in berlin der historische - Aug 14 2023

web jahrhunderts vom ende der diktatur und damit einhergehend von einer abrupten veränderung des sozialen er lebens gekennzeichnet aus der sicht der geschichts

arbeiterbewegung in berlin der historische reiseführer - Jun 12 2023

web veröffentlichungen der historischen kommission zu berlin beim friedrich meinecke institut der freien universität berlin beziehungsgeschichtliche probleme der deutschen

arbeiterbewegung in berlin der historische reise - Aug 02 2022

web arbeiterbewegung 1 a bezeichnet i w s die soziale massenbewegung die seit beginn des 19 jhs gegen die sozialen folgen der industriellen revolution industrielle

arbeiterbewegung in berlin der historische reise pdf - Jul 01 2022

web apr 29 2023 arbeiterbewegung in berlin der historische reise 1 7 downloaded from uniport edu ng on april 29 2023 by guest arbeiterbewegung in berlin der historische

arbeiterbewegung in berlin der historische reiseführer by helga - Oct 24 2021

arbeiterbewegung in berlin der historische reise pdf download - Dec 06 2022

web arbeiterbewegung in berlin der historische reise 1 arbeiterbewegung in berlin der historische reise downloaded from doblespacio uchile cl by guest laylah

arbeiterbewegung in berlin der historische reiseführer by helga - Dec 26 2021

web guide arbeiterbewegung in deutschland grebing arbeiterbewegung in berlin der historische stadtführungen berlin de die 61 besten bilder von ddr ddr ostberlin und

arbeiterbewegung in berlin der historische reiseführer by helga - Feb 25 2022

web may 5th 2020 zu einem anderen fazit kommt man nach das rote berlin eine geschichte der berliner arbeiterbewegung 1830 1934 der autor axel weipert zeigt geschichte von

arbeiterbewegung in berlin der historische reise pdf - Nov 05 2022

web jul 18 2023 arbeiterbewegung in berlin der historische reise 2 7 downloaded from uniport edu ng on july 18 2023 by guest trotz der faszination durch viele

arbeiterbewegung in berlin der historische reise pdf - Oct 04 2022

web start getting this info acquire the arbeiterbewegung in berlin der historische reise belong to that we meet the expense of here and check out the link you could buy lead

go with microsoft excel 2013 comprehensive gaskin shelley - Jul 02 2023

web mar 1 2013 go with microsoft excel 2013 comprehensive shelley gaskin alicia vargas debra geoghan 3 67 15 ratings 1 review for use in the office applications

go with microsoft excel 2013 comprehensive spiral bound - Sep 04 2023

web go with microsoft excel 2013 comprehensive gaskin shelley vargas alicia geoghan debra amazon sg books

go with microsoft excel 2013 introductory amazon com - Mar 30 2023

web this book is also suitable for students and individuals seeking an introduction to microsoft excel 2013 the primary goal of the go series aside from teaching computer

go with microsoft excel 2016 comprehensive go - Feb 14 2022

web this book is also suitable for students and individuals seeking an introduction to microsoft excel 2013 the primary goal of the go series aside from teaching computer

go with microsoft excel 2013 brief alibris - May 20 2022

web buy go with microsoft excel 2013 introductory by shelley gaskin alicia vargas online at alibris we have new and used copies available in 1 editions starting at 3 68 shop now

go with microsoft excel 2013 comprehensive 2 downloads - Jan 28 2023

web abebooks com go with microsoft excel 2013 comprehensive 9780133417333 by gaskin shelley vargas alicia geoghan debra and a great selection of similar new

1st edition amazon com spend less smile more - Oct 25 2022

web feb 26 2013 go with microsoft office 2013 is the right solution for you and your students in today s fast moving mobile environment the go series focuses on the real world

go with microsoft excel 2013 brief softcover abebooks - Aug 23 2022

web jun 4 2013 for use in the office applications course this book is also suitable for students and individuals seeking an

[introduction to microsoft office 2013 the primary](#)

[go with microsoft excel 2013 introductory shelley gaskin](#) - Apr 30 2023

web may 25 2013 this book is also suitable for students and individuals seeking an introduction to microsoft excel 2013 the primary goal of the go series aside from teaching

go with microsoft excel 2013 introductory softcover abebooks - Dec 15 2021

[go with microsoft office 2013 volume 1 google books](#) - Sep 23 2022

web this book is also suitable for students and individuals seeking an introduction to microsoft excel 2013 the primary goal of the go series aside from teaching computer

loading interface goodreads - Mar 18 2022

web mar 18 2016 go with microsoft excel 2016 comprehensive i m a student i m an educator published by pearson march 18 2016

go with microsoft excel 2013 comprehensive by shelley gaskin - Jun 01 2023

web this book is also suitable for students and individuals seeking an introduction to microsoft excel 2013 the primary goal of the go series aside from teaching computer

go with microsoft excel 2016 comprehensive pearson - Jan 16 2022

[go with microsoft excel 2013 brief amazon com](#) - Aug 03 2023

web mar 22 2023 gaskin shelley publication date 2014 topics microsoft excel computer file business computer programs electronic spreadsheets publisher boston

go with microsoft excel 2013 brief shelley gaskin alicia - Feb 26 2023

web jun 26 2013 amazon com go with microsoft excel 2013 comprehensive 2 downloads ebook gaskin shelley vargas alicia geoghan debra kindle store kindle store

go with microsoft excel 2013 introductory alibris - Apr 18 2022

web discover and share books you love on goodreads

[go with microsoft excel 2013 comprehensive softcover](#) - Dec 27 2022

web go with microsoft excel 2013 introductory book read reviews from world s largest community for readers

go with microsoft excel 2013 introductory by shelley gaskin - Nov 25 2022

web may 25 2013 go with microsoft excel 2013 comprehensive 1st edition by shelley gaskin author alicia vargas author debra geoghan author 0 more 4 5 4 5 out

[go with microsoft office 2013 getting started go for office 2013](#) - Jul 22 2022

web buy go with microsoft excel 2013 comprehensive by shelley gaskin alicia vargas debra geoghan online at alibris we have new and used copies available in 1 editions

go with microsoft excel 2013 comprehensive alibris - Jun 20 2022

web buy go with microsoft excel 2013 brief by shelley gaskin alicia vargas online at alibris we have new and used copies available in 1 editions starting at 0 99 shop now

go with microsoft excel 2013 gaskin shelley vargas alicia - Oct 05 2023

web go with microsoft excel 2013 gaskin shelley vargas alicia geoghan debra amazon sg books

télécharger et installer l aide du produit autocad 2023 autodesk - Jan 12 2022

web mar 29 2022 accédez à nos ressources pour consulter la documentation relative à nos produits et des articles qui vous aideront à résoudre vos problèmes si vous ne trouvez pas de solution vous avez la possibilité de contacter un agent dans le cadre de votre abonnement contacter l assistance

document de formation cours autocad initiation - Jan 24 2023

web à améliorer sa performance avec le logiciel autocad les opérations standards et la présentation du logiciel autocad ne sera pas répété ici l étudiant devra plutôt prendre connaissance du livre de formation remis lors du début du cours dans ce document les commandes ou variables en anglais seront identifiées comme suit mots

[autodesk](#) - Apr 26 2023

web autodesk

[mode d emploi autodesk autocad 2016 42 des pages](#) - Jun 16 2022

web vous trouverez ci dessous les spécifications du produit et les spécifications du manuel du autodesk autocad 2016 les licences de logiciel et extensions autodesk autocad 2016 sont des outils qui permettent aux utilisateurs de créer et de partager des dessins précis et complexes en 2d et 3d le type de logiciel crossgrade permet de

autocad 2013 téléchargement gratuit 32 bits 64 bits - Apr 14 2022

web la dernière version d autocad est autocad 2013 cliquez sur le bouton ci dessous pour auto cad 2013 version telechargement gratuit télécharger autocad et travailler sur superbes conceptions 3d la version précédente était autocad 2012 la dernière version d autocad est 2014

[guide des commandes et raccourcis d autocad autodesk](#) - May 28 2023

web consultez le guide des raccourcis clavier d autocad et travaillez plus rapidement et efficacement maîtrisez les commandes et raccourcis d autocad

[mode d emploi autodesk autocad lt 2013 mac 7 des pages](#) - Nov 21 2022

web consultez gratuitement le manuel de la marque autodesk autocad lt 2013 mac ici ce manuel appartient à la catégorie non catégorisé et a été évalué par 1 personnes avec une moyenne de 5 3 ce manuel est disponible dans les langues suivantes anglais

manuel autocad 2013 francais pdf free mrmiky - May 16 2022

web mar 26 2023 manuel autocad 2013 francais pdf free download bytily com 2tap6y i found the free french manual for autocad map 3d 2010 i found it on the net but i don t find it anymore here it is autodesk com fr products services map 3d autocad map 3d 2010 2011 2012 2013 2014

autocad 2013 manuel d utilisation pdf cnc manual - Mar 26 2023

web cnc manual autocad autocad 2013 manuel d utilisation autocad 2013 manuel d utilisation views 153776 continue with reading or go to download page read download autocad 2015 preview guide 43 pages autocad 2013 autolisp reference guide 298 pages curso basico de autocad 2015 73 pages x

autocad 2013 français french 19 0 55 télécharger - Sep 19 2022

web la version plus répandue est 19 0 55 qui est utilisé par 100 de toutes les installations autocad 2013 français french s exécute sur les systèmes d exploitation suivants windows autocad 2013 français french n a

manuel autocad 2017 francais pdf pdf prof - Feb 10 2022

web fichier gabarit type dwt pdf liste des commandes du logiciel de dessin autocad les tableaux suivants présentent les commandes en français et en anglais avec leurs raccourcis commandes de dessin description ligne

mode d emploi autodesk autocad 2013 872 des pages - Aug 31 2023

web consultez gratuitement le manuel de la marque autodesk autocad 2013 ici ce manuel appartient à la catégorie logiciel photo et ou vidéo et a été évalué par 7 personnes avec une moyenne de 9 5 ce manuel est disponible dans les langues suivantes anglais

cours autocad 2013 francais pdf pdf prof - Oct 21 2022

web april 6 untitled 2013 2014 manque de formation technique manque de concret une alternance cours agence les années de master seraient bénéfique pour l apprentissage et la projet assainissement des eaux usees des eaux le projet a été commencé en novembre 2011 et achevé en mars 2014 autocad pourtant pas de données

manual autocad 2013 pdf google drive - Feb 22 2023

web view details request a review learn more

fondamentaux d autocad autodesk knowledge network - Aug 19 2022

web fondamentaux d autocad si vous découvrez autocad ou autocad lt ce guide présente les commandes essentielles dont vous avez besoin pour créer des dessins 2d ce guide est également utile pour rafraîchir votre mémoire si vous venez de

terminer votre formation initiale ou si vous n'utilisez pas régulièrement autocad éléments de base

comment télécharger le manuel d'autocad 2013 en français - Jul 18 2022

web may 17 2023 comment télécharger le manuel d'autocad 2013 en français au format pdf comment télécharger le manuel d'autocad 2013 en français au format pdf autocad 2013 est une application logicielle de conception top of page the 120 club home works testimonials ten wisdoms about events contact more

comment utiliser autocad avec images wikipédia - Dec 23 2022

web autocad est un logiciel de dessin assisté par ordinateur qui permet à son utilisateur de créer des plans en 2d et 3d comme ceux utilisés dans l'industrie du bâtiment ou de production la dernière version d'autocad est utilisable aussi bien sur mac que sur pc

télécharger manuel autocad 2017 français pdf pdf prof - Mar 14 2022

web le logiciel autocad créé par la société autodesk basée à san raphael californie existe depuis 1982 il est à noter que le format des fichiers autocad le dwg est régulièrement modifié et offre une compatibilité et en français support lt 2008 2009 pdf pdf autocad electrical conception de schémas électriques orsys

autocad complet 2013 pdf pdf autocad autodesk scribd - Jun 28 2023

web 2013 repoussez les limites de la conception rendu du stade national de brasilia les logiciels autocad et autodesk 3ds max design ont été utilisés dans le processus de conception image publiée avec l'aimable autorisation de castro mello architects connectez votre flux de conception

télécharger gratuitement manuel autocad autocad gratuit - Jul 30 2023

web le manuel autocad gratuit se manifeste sur notre surface en un ensemble de supports et documents de formation des tutoriaux autocad gratuit cours personnalisés ainsi que plusieurs possibilités de téléchargement d'applications et logiciels utiles à l'accomplissement de votre apprentissage