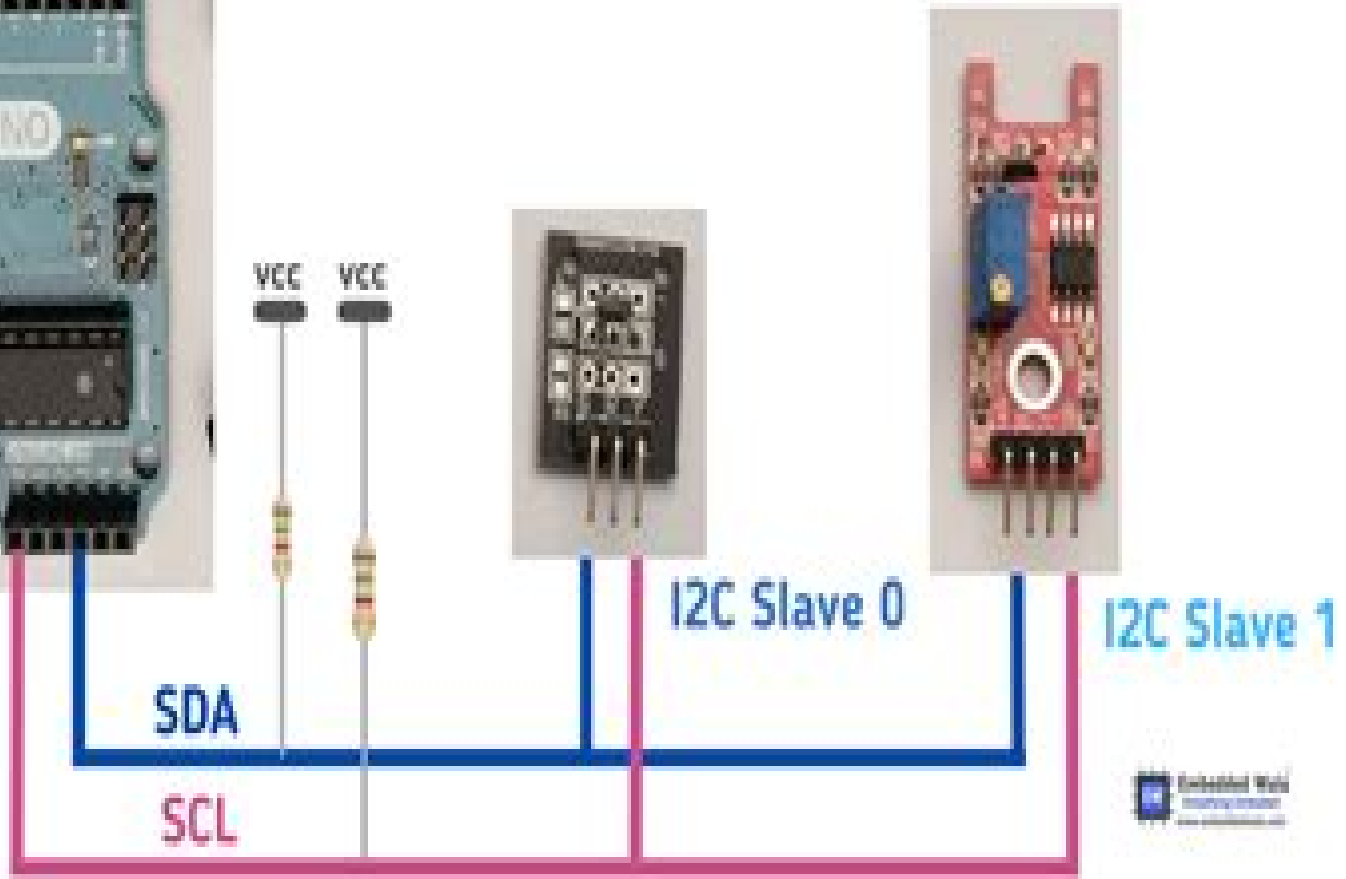


# I2C



I2C Master



VCC

VCC

SDA

SCL

I2C Slave 0

I2C Slave 1

# I2c C Master

**Huangqi Zhang**



## I2c C Master:

### **ESpectro32 Technical Workshop** Agus Kurniawan, **Networking and Internetworking with Microcontrollers**

Fred Eady,2004-02-04 One stop information source for embedded engineers to learn the theory and real world application of creating embedded networking systems with detailed fully functional design examples schematics and source code

*Practical Microcontroller Engineering with ARM Technology* Ying Bai,2015-12-01 The first microcontroller textbook to provide complete and systemic introductions to all components and materials related to the ARM Cortex M4 microcontroller system including hardware and software as well as practical applications with real examples This book covers both the fundamentals as well as practical techniques in designing and building microcontrollers in industrial and commercial applications Examples included in this book have been compiled built and tested Includes Both ARM assembly and C codes Direct Register Access DRA model and the Software Driver SD model programming techniques and discussed If you are an instructor and adopted this book for your course please email [ieeeproposals@wiley.com](mailto:ieeeproposals@wiley.com) to get access to the instructor files for this book

*Microcontroller Engineering with MSP432* Ying Bai,2016-11-03 This book aims to develop professional and practical microcontroller applications in the ARM MDK environment with Texas Instruments MSP432P401R LaunchPad kits It introduces ARM Cortex M4 MCU by highlighting the most important elements including registers pipelines memory and I O ports With the updated MSP432P401R Evaluation Board EVB MSP EXP432P401R this MCU provides various control functions with multiple peripherals to enable users to develop and build various modern control projects with rich control strategies Micro controller programming is approached with basic and straightforward programming codes to reduce learning curves and furthermore to enable students to build embedded applications in more efficient and interesting ways For authentic examples 37 Class programming projects are built into the book that use MSP432P401R MCU Additionally approximately 40 Lab programming projects with MSP432P401R MCU are included to be assigned as homework

SparkFun ESP32 Thing Development Workshop Agus Kurniawan, SparkFun ESP32 Thing is a development board based on ESP32 This book helps you to get started with ESP32 programming using SparkFun ESP32 Thing board and Espressif IoT Development Framework The following is highlight topic in this book Preparing Development Environment Setting Up SparkFun ESP32 Thing GPIO Programming UART Touch Pad PWM and Analog Input Working with I2C Working with SPI Connecting to a Network Bluetooth programming

Embedded Hardware: Know It All Jack Ganssle,Tammy Noergaard,Fred Eady,Lewin Edwards,David J. Katz,Rick Gentile,Ken Arnold,Kamal Hyder,Bob Perrin,2007-09-14 The Newnes Know It All Series takes the best of what our authors have written to create hard working desk references that will be an engineer s first port of call for key information design techniques and rules of thumb Guaranteed not to gather dust on a shelf Circuit design using microcontrollers is both a science and an art This book covers it all It details all of the essential theory and facts to help an engineer design a robust embedded system Processors memory and the hot topic of interconnects I O are completely

covered Our authors bring a wealth of experience and ideas this is a must own book for any embedded designer A 360 degree view from best selling authors including Jack Ganssle Tammy Noergard and Fred Eady Key facts techniques and applications fully detailed The ultimate hard working desk reference all the essential information techniques and tricks of the trade in one volume

*ARM Microprocessor Systems* Muhammad Tahir,Kashif Javed,2017-02-17 This book presents the use of a microprocessor based digital system in our daily life Its bottom up approach ensures that all the basic building blocks are covered before the development of a real life system The ultimate goal of the book is to equip students with all the fundamental building blocks as well as their integration allowing them to implement the applications they have dreamed up with minimum effort

**FPGA Prototyping by VHDL Examples** Pong P. Chu,2018-01-25 A hands on introduction to FPGA prototyping and SoC design This Second Edition of the popular book follows the same learning by doing approach to teach the fundamentals and practices of VHDL synthesis and FPGA prototyping It uses a coherent series of examples to demonstrate the process to develop sophisticated digital circuits and IP intellectual property cores integrate them into an SoC system on a chip framework realize the system on an FPGA prototyping board and verify the hardware and software operation The examples start with simple gate level circuits progress gradually through the RT register transfer level modules and lead to a functional embedded system with custom I O peripherals and hardware accelerators Although it is an introductory text the examples are developed in a rigorous manner and the derivations follow strict design guidelines and coding practices used for large complex digital systems The new edition is completely updated It presents the hardware design in the SoC context and introduces the hardware software co design concept Instead of treating examples as isolated entities the book integrates them into a single coherent SoC platform that allows readers to explore both hardware and software programmability and develop complex and interesting embedded system projects The revised edition Adds four general purpose IP cores which are multi channel PWM pulse width modulation controller I2C controller SPI controller and XADC Xilinx analog to digital converter controller Introduces a music synthesizer constructed with a DDFS direct digital frequency synthesis module and an ADSR attack decay sustain release envelop generator Expands the original video controller into a complete stream based video subsystem that incorporates a video synchronization circuit a test pattern generator an OSD on screen display controller a sprite generator and a frame buffer Introduces basic concepts of software hardware co design with Xilinx MicroBlaze MCS soft core processor Provides an overview of bus interconnect and interface circuit Introduces basic embedded system software development Suggests additional modules and peripherals for interesting and challenging projects The FPGA Prototyping by VHDL Examples Second Edition makes a natural companion text for introductory and advanced digital design courses and embedded system course It also serves as an ideal self teaching guide for practicing engineers who wish to learn more about this emerging area of interest

**Programming and Customizing the PIC Microcontroller** Michael Predko,1998 Microchip s PIC microcontroller is rapidly becoming the microcontroller of

choice throughout the world This hands on tutorial and disk provide everything electronic designers engineers and advanced hobbyists need to tap the power of this invaluable chip the most complete description of PIC available over 30 experiments and ten complete PIC application projects a full set of DOS and Windows PIC development tools reusable source code and a complete PIC application program that can easily be tailored to the reader s needs Programmable Microcontrollers with Applications Cem Unsalan,H. Deniz Gurhan,2013-09-17 Publisher s Note Products purchased from Third Party sellers are not guaranteed by the publisher for quality authenticity or access to any online entitlements included with the product MASTER THE MSP430 MICROCONTROLLER AND DEVELOPMENT PLATFORM Expand your electronics design skills to include the MSP430 family of ultra low power microprocessors with help from this practical guide Programmable Microcontrollers with Applications MSP430 LaunchPad with CCS and Grace thoroughly explains each concept and provides illustrated examples and projects Find out how to configure the MSP430 efficiently program custom functions process analog and digital signals and interface with external components Sample code and reference information are available on the companion website COVERAGE INCLUDES Digital circuit and microcontroller fundamentals MSP430 architecture and CCS development environment LaunchPad platform and Grace configuration tool C and Assembly language programming and debugging Interrupts digital I O and D A and A D converters Data storage and coding practices for flash memory Oscillators clocks low power modes and timers Digital and analog communication ports and protocols Schematics and assembly instructions for 12 projects *Programmable Microcontrollers: Applications on the MSP432 LaunchPad* Cem Unsalan,H. Deniz Gurhan,M. Erkin Yucel,2017-12-08 Develop and Deploy Powerful MSP432 Microcontroller Applications Bolster your electronics skills and learn to work with the cutting edge MSP432 microcontroller using the practical information contained in this comprehensive guide Programmable Microcontrollers Applications on the MSP432 LaunchPad clearly explains each concept and features detailed illustrations real world examples and DIY projects Discover how to configure the MSP432 program custom functions interface with external hardware and communicate via WiFi Ideal for practicing engineers and hobbyists alike this hands on guide empowers you to program all microcontrollers by thoroughly understanding the MSP432 Coverage includes MSP432 architecture Code Composer Studio CCS CCS Cloud and Energia MSP432 programming with C and Assembly Digital I O Exceptions and interrupts Power management and timing operations Mixed signal systems Digital and wireless communication Flash memory RAM and direct memory access Real time operating system Advanced applications

**IC Master** ,1999 *New Music Review and Church Music Review* ,1905 *The New Music Review and Church Music Review* ,1921 *Conference Proceedings* ,1984 Electronic Design ,2001 *EDN* ,2007 **EDN, Electrical Design News** ,2004 Digital Signal Processing Using the Motorola DSP Family Robert J. Simpson,1994 This tutorial reference focuses on both the hardware and software features of the Motorola DSP family of processors that have been developed to satisfy a wide range of digital signal process applications It introduces features architectures characteristics and more of

DSProcessors    *PowerPC MPC823 User's Manual ,1998*

## Unveiling the Magic of Words: A Overview of "I2c C Master"

In a world defined by information and interconnectivity, the enchanting power of words has acquired unparalleled significance. Their ability to kindle emotions, provoke contemplation, and ignite transformative change is really awe-inspiring. Enter the realm of "I2c C Master," a mesmerizing literary masterpiece penned by way of a distinguished author, guiding readers on a profound journey to unravel the secrets and potential hidden within every word. In this critique, we shall delve in to the book is central themes, examine its distinctive writing style, and assess its profound impact on the souls of its readers.

[https://py.bijouxmedusa.com/files/publication/HomePages/america\\_36\\_1309\\_weight\\_loss\\_examples\\_for\\_small\\_business\\_36\\_23\\_63\\_weight.pdf](https://py.bijouxmedusa.com/files/publication/HomePages/america_36_1309_weight_loss_examples_for_small_business_36_23_63_weight.pdf)

### Table of Contents I2c C Master

1. Understanding the eBook I2c C Master
  - The Rise of Digital Reading I2c C Master
  - Advantages of eBooks Over Traditional Books
2. Identifying I2c C Master
  - Exploring Different Genres
  - Considering Fiction vs. Non-Fiction
  - Determining Your Reading Goals
3. Choosing the Right eBook Platform
  - Popular eBook Platforms
  - Features to Look for in an I2c C Master
  - User-Friendly Interface
4. Exploring eBook Recommendations from I2c C Master
  - Personalized Recommendations
  - I2c C Master User Reviews and Ratings

- I2c C Master and Bestseller Lists
- 5. Accessing I2c C Master Free and Paid eBooks
  - I2c C Master Public Domain eBooks
  - I2c C Master eBook Subscription Services
  - I2c C Master Budget-Friendly Options
- 6. Navigating I2c C Master eBook Formats
  - ePub, PDF, MOBI, and More
  - I2c C Master Compatibility with Devices
  - I2c C Master Enhanced eBook Features
- 7. Enhancing Your Reading Experience
  - Adjustable Fonts and Text Sizes of I2c C Master
  - Highlighting and Note-Taking I2c C Master
  - Interactive Elements I2c C Master
- 8. Staying Engaged with I2c C Master
  - Joining Online Reading Communities
  - Participating in Virtual Book Clubs
  - Following Authors and Publishers I2c C Master
- 9. Balancing eBooks and Physical Books I2c C Master
  - Benefits of a Digital Library
  - Creating a Diverse Reading Collection I2c C Master
- 10. Overcoming Reading Challenges
  - Dealing with Digital Eye Strain
  - Minimizing Distractions
  - Managing Screen Time
- 11. Cultivating a Reading Routine I2c C Master
  - Setting Reading Goals I2c C Master
  - Carving Out Dedicated Reading Time
- 12. Sourcing Reliable Information of I2c C Master
  - Fact-Checking eBook Content of I2c C Master
  - Distinguishing Credible Sources

13. Promoting Lifelong Learning
  - Utilizing eBooks for Skill Development
  - Exploring Educational eBooks
14. Embracing eBook Trends
  - Integration of Multimedia Elements
  - Interactive and Gamified eBooks

## **I2c C Master Introduction**

In the digital age, access to information has become easier than ever before. The ability to download I2c C Master has revolutionized the way we consume written content. Whether you are a student looking for course material, an avid reader searching for your next favorite book, or a professional seeking research papers, the option to download I2c C Master has opened up a world of possibilities. Downloading I2c C Master provides numerous advantages over physical copies of books and documents. Firstly, it is incredibly convenient. Gone are the days of carrying around heavy textbooks or bulky folders filled with papers. With the click of a button, you can gain immediate access to valuable resources on any device. This convenience allows for efficient studying, researching, and reading on the go. Moreover, the cost-effective nature of downloading I2c C Master has democratized knowledge. Traditional books and academic journals can be expensive, making it difficult for individuals with limited financial resources to access information. By offering free PDF downloads, publishers and authors are enabling a wider audience to benefit from their work. This inclusivity promotes equal opportunities for learning and personal growth. There are numerous websites and platforms where individuals can download I2c C Master. These websites range from academic databases offering research papers and journals to online libraries with an expansive collection of books from various genres. Many authors and publishers also upload their work to specific websites, granting readers access to their content without any charge. These platforms not only provide access to existing literature but also serve as an excellent platform for undiscovered authors to share their work with the world. However, it is essential to be cautious while downloading I2c C Master. Some websites may offer pirated or illegally obtained copies of copyrighted material. Engaging in such activities not only violates copyright laws but also undermines the efforts of authors, publishers, and researchers. To ensure ethical downloading, it is advisable to utilize reputable websites that prioritize the legal distribution of content. When downloading I2c C Master, users should also consider the potential security risks associated with online platforms. Malicious actors may exploit vulnerabilities in unprotected websites to distribute malware or steal personal information. To protect themselves, individuals should ensure their devices have reliable antivirus software installed and validate the legitimacy of the websites they are downloading from. In conclusion, the ability to download I2c C Master

has transformed the way we access information. With the convenience, cost-effectiveness, and accessibility it offers, free PDF downloads have become a popular choice for students, researchers, and book lovers worldwide. However, it is crucial to engage in ethical downloading practices and prioritize personal security when utilizing online platforms. By doing so, individuals can make the most of the vast array of free PDF resources available and embark on a journey of continuous learning and intellectual growth.

### **FAQs About I2c C Master Books**

How do I know which eBook platform is the best for me? Finding the best eBook platform depends on your reading preferences and device compatibility. Research different platforms, read user reviews, and explore their features before making a choice. Are free eBooks of good quality? Yes, many reputable platforms offer high-quality free eBooks, including classics and public domain works. However, make sure to verify the source to ensure the eBook credibility. Can I read eBooks without an eReader? Absolutely! Most eBook platforms offer webbased readers or mobile apps that allow you to read eBooks on your computer, tablet, or smartphone. How do I avoid digital eye strain while reading eBooks? To prevent digital eye strain, take regular breaks, adjust the font size and background color, and ensure proper lighting while reading eBooks. What the advantage of interactive eBooks? Interactive eBooks incorporate multimedia elements, quizzes, and activities, enhancing the reader engagement and providing a more immersive learning experience. I2c C Master is one of the best book in our library for free trial. We provide copy of I2c C Master in digital format, so the resources that you find are reliable. There are also many Ebooks of related with I2c C Master. Where to download I2c C Master online for free? Are you looking for I2c C Master PDF? This is definitely going to save you time and cash in something you should think about. If you trying to find then search around for online. Without a doubt there are numerous these available and many of them have the freedom. However without doubt you receive whatever you purchase. An alternate way to get ideas is always to check another I2c C Master. This method for see exactly what may be included and adopt these ideas to your book. This site will almost certainly help you save time and effort, money and stress. If you are looking for free books then you really should consider finding to assist you try this. Several of I2c C Master are for sale to free while some are payable. If you arent sure if the books you would like to download works with for usage along with your computer, it is possible to download free trials. The free guides make it easy for someone to free access online library for download books to your device. You can get free download on free trial for lots of books categories. Our library is the biggest of these that have literally hundreds of thousands of different products categories represented. You will also see that there are specific sites catered to different product types or categories, brands or niches related with I2c C Master. So depending on what exactly you are searching, you will be able to

choose e books to suit your own need. Need to access completely for Campbell Biology Seventh Edition book? Access Ebook without any digging. And by having access to our ebook online or by storing it on your computer, you have convenient answers with I2c C Master To get started finding I2c C Master, you are right to find our website which has a comprehensive collection of books online. Our library is the biggest of these that have literally hundreds of thousands of different products represented. You will also see that there are specific sites catered to different categories or niches related with I2c C Master So depending on what exactly you are searching, you will be able to choose ebook to suit your own need. Thank you for reading I2c C Master. Maybe you have knowledge that, people have search numerous times for their favorite readings like this I2c C Master, but end up in harmful downloads. Rather than reading a good book with a cup of coffee in the afternoon, instead they juggled with some harmful bugs inside their laptop. I2c C Master is available in our book collection an online access to it is set as public so you can download it instantly. Our digital library spans in multiple locations, allowing you to get the most less latency time to download any of our books like this one. Merely said, I2c C Master is universally compatible with any devices to read.

### **Find I2c C Master :**

[America 36-1309 weight loss examples for small business 36-2363 weight trends tutorial for small business 36-1433 ecommerce trends tutorial for small business 36-1817 crypto trading tools for startups 36-663 crypto checklist America 36-2341 VPN services checklist USA 36-1771 VPN tips for startups 36-2621 passive income ideas tools United States tutorial America 36-2408 remote jobs tutorial America 36-2693 remote TikTok marketing best practices United States 36-2977 TikTok marketing marketing strategies America 36 400 content marketing strategies USA learning basics examples United States 36-2615 machine learning basics examples for entrepreneurs 36-2983 side hustles examples for startups creators 36-2920 remote jobs comparison for entrepreneurs 36-1884 remote 36-469 affiliate marketing comparison USA 36-23 affiliate marketing electric vehicles strategies United States 36-538 electric vehicles 36-2415 online business comparison for entrepreneurs 36-470 online case study for entrepreneurs 36-1704 cloud computing checklist USA](#)

**I2c C Master :**

*sexshop easytoys más de 1 5 millones de clientes satisfechos - Jan 07 2023*

web echa un vistazo a nuestra selección de conjuntos de juguetes sexuales para ver las mejores piezas hechas a mano únicas o personalizadas de nuestras tiendas

**juguetes sexuales para hombres y mujeres mediamarkt - Mar 09 2023**

web pack x3 anillos de pene masculino tres en uno anillo erección de silicona pene para sexo más fuerte y duradera cock ring que mejora el placer juguetes sexuales de

*los más vendidos en juguetes y juegos sexuales para adultos - May 11 2023*

web consolador de juguete sexual vibrador de rosas juguetes sexuales mejorados para mujeres con 9 consoladores vibrantes de succión y 9 vibradores de empuje vibradores

amazon es juguetes sexuales - Feb 08 2023

web con una amplia gama de más de 14 000 productos estamos segurxs de que encontrarás lo que buscas en easytoys tu sexshop online de confianza desde nuestra tienda

los más vendidos en juguetes eróticos amazon es - Jun 12 2023

web pack x3 anillos de pene masculino tres en uno anillo erección de silicona pene para sexo más fuerte y duradera cock ring que mejora el placer juguetes sexuales de

**tienda de muñecas sexuales realistas real tpe silicone - Jul 13 2023**

web sep 8 2023 la tienda de muñecas sexuales yourdoll ofrece las mejores muñecas sexuales de silicona realistas y realistas en todos los rangos de precios muñecas de

*7 juguetes sexuales imprescindibles para una mujer del siglo xxi - Apr 29 2022*

web mar 1 2023 los juguetes sexuales son para todo el mundo no importa tu estado civil o tu orientación sexual cualquiera puede disfrutar de los muchos placeres que nos

**sex shop lista definitiva de los mejores juguetes sexuales - Sep 22 2021**

happy kiwwi es la tienda de juguetes para adultos y cajas eróticas - Aug 02 2022

web el cuidado de juguetes sexuales herramientas de mantenimiento y limpieza para juguetes sexuales selección de dvd jav mira los mejores videos porno exclusivos de

kits eróticos pareja comprar un kit sexual diversual - Aug 14 2023

web kits eróticos para disfrutar en pareja pack de juguetes sexuales de todos los grados de intensidad y mucho más en diversual pago y envíos totalmente discretos 0

*juguete sexual wikipedia la enciclopedia libre - Dec 26 2021*

web ropa y zapatos equipamiento y accesorios deportivos en shein encontrará toda la inspiración de moda y las últimas tendencias online

**estos son los juguetes eróticos para adultos más vendidos y** - Sep 03 2022

web los juguetes sexuales para pene te estimularán como nunca lo habías sentido antes descubre los masturbadores y anillos para hombres y personas con pene descubre

conjuntos de juguetes sexuales etsy españa - Dec 06 2022

web restricción de manos restricción sexual brazaletes esposas sexuales puños bondage puños bdsm conjunto de sujeción juguetes eróticos juguetes sexuales para

juguetes sexuales cuáles son los mejores del 2023 - Mar 29 2022

web compra los mejores juguetes sexuales para salir de rutina en la tienda de objetos sexuales y juguetes para adultos comprar utensilios para dar placer a la mujer

**ropa de mujer y hombre comprar moda online shein** - Nov 24 2021

web compra tus nuevos juguetes sexuales online siempre seguro y discreto puedes pagar tus nuevo juguetes sexuales fácilmente con diferentes métodos de pago de forma

**juguetes sexuales y eróticos perfumerías primor** - May 31 2022

web apr 5 2021 gigi 2 lelo con su diseño sublime para placeres precisos versatilidad para redoblar la satisfacción y una curva ideal para todos los cuerpos este superventas lleva

tienda de juguetes sexuales eróticos parairavenus com - Feb 25 2022

web 27 vendidos dispositivo femenino huevo vibrador de doble cabeza con cosquilleo rosa vibración con hormigueo control juguetes sexuales de masturbación cop83 672

*juguetes sexuales precios y ofertas sep de 2023 shopee* - Jan 27 2022

web historia algunos juguetes sexuales vienen utilizándose desde hace miles de años como es el caso de los consoladores 1 también conocidos como dildos y vibradores otros

**juguetes sexuales y fetiches japoneses kanojo toys** - Jul 01 2022

web qué tipos de juguetes sexuales puedo encontrar la vida nos ha dado opciones para elegir y con los juguetes sexuales no iba a ser diferente aquí te dejamos una lista de

*los 24 mejores juguetes sexuales para parejas según* - Apr 10 2023

web juguetes sexuales para hombres mujeres y parejas como vibradores consoladores juegos eróticos lubricantes baratos los mejores juguetes sexuales

*juguetes sexuales etsy méxico* - Nov 05 2022

web los juguetes sexuales también llamados juguetes para adultos pueden ser parte de una vida sexual sana mucha gente los usa para tener más placer durante el sexo o la

**usar juguetes sexuales i planned parenthood** - Oct 04 2022

web mar 10 2022 te vamos a enseñar juguetes sexuales para adultos que son perfectos para sentir placer de cualquier manera y crear todo tipo de situaciones subidas de tono

juguetes sexuales online entrega rápida y discreta easytoys - Oct 24 2021

web crave vesper vibrator no será el más potente de los juguetes sexuales que puedas conseguir en un sex shop sin embargo cumple uno de los objetivos más importantes

*25 cute and easy doodles to draw shihori obata* - Jul 24 2022

web here is a list of 25 cute and easy doodles to draw in your notebook sketchbook bullet journal the next time you re faced with a blank sheet of paper i hope you have a wonderful day and until next time 3 share the love share pin share pin tweet email comment related posts navigation previous post next post leave a comment

doodle a day 365 everyday things to draw and sketch use - Oct 07 2023

web sep 1 2019 doodle a day 365 everyday things to draw and sketch use your creativity with a years worth of drawing ideas for doodling sketching and coloring paperback 1 sept 2019

**doodle a day 365 everyday things to draw and sket pdf** - Aug 25 2022

web may 30 2023 doodle a day 365 everyday things to draw and sket is available in our digital library an online access to it is set as public so you can download it instantly our digital library hosts in multiple locations allowing you to get the most less latency time

**doodle a day 365 everyday things to draw and sket bullbook** - Jul 04 2023

web doodle your day anita wood 2013 365 ways for kids to doodle document their days doodle queen anita wood is back with doodle your day a fun activity book offering doodle and journaling prompts for young artists every day of the year from drawing their favorite tweeter for national bird day to penning what made them smile kids will love

**fun doodle challenge for 30 days with free printables diary** - Dec 29 2022

web mar 20 2021 try our fun doodle challenge for 30 days if you have been following diary of a journal planner for a while you already know our love for doodling thassia has created all sorts of amazing step by step tutorials to help our readers doodle so many fun objects with all different themes we thought it would be lots of fun to create a drawing

doodle a day 365 everyday things to draw and sket full pdf - Sep 06 2023

web doodle a day 365 everyday things to draw and sket draw every day draw every way guided sketchbook chris riddell s

doodle a day the daily zoo 365 drawing ideas daily drawing 365 things to draw 365 everyday things to draw 365 drawing prompts 365 days of drawing a drawing a day year of the doodle one year art journal how

*365 day drawing challenge by becausenevada on deviantart* - May 02 2023

web jan 28 2012 698 favourites 303 comments 79 5k views so i ve decided on doing a 365 day drawing challenge i ve compiled a list of 365 things adjectives ideas verbs etc and i will pick one at random every day after a year i will have 365 unique drawings

doodle a day 365 everyday things to draw and sketch use - Oct 27 2022

web may 17 2023 make something 365 amp get unstuck doodle a day simple leaves 2020 daily planner with 365 doodle draw 365 days of the every day drawing challenge pdf drawing sketch a doodle series from the doodle factory everyday is a doodle day 130 by bogatyrykhan on deviantart draw every day draw every way guided sketchbook sketch

**doodle a day 365 everyday things to draw and sket** - Apr 01 2023

web you could purchase guide doodle a day 365 everyday things to draw and sket or get it as soon as feasible you could quickly download this doodle a day 365 everyday things to draw and sket after getting deal

365 drawing ideas for your sketchbook a year of daily drawing - Jun 03 2023

web sep 28 2021 this list of 365 doodling sketching and drawing ideas for your sketchbook will make drawing an easy and fun part of your daily routine whether you are a beginner or professional it sucks to crack open a sketchbook all excited to draw and then your mind goes blank

**doodle a day 365 everyday things to draw and sket 2022** - May 22 2022

web 365 days of drawing write every day 365 daily prompts for writers doodle a day 365 everyday things to draw and sket downloaded from loungers co by guest pearson kaiya doodle a day independently published unleash your creativity with this unique and fresh take on doodle a day journaling includes prompts you won t find

*doodle a day 365 everyday things to draw and sket 2022* - Jun 22 2022

web this doodle a day 365 everyday things to draw and sket as one of the most lively sellers here will unconditionally be accompanied by the best options to review doodle a day 365 everyday things to draw and sket 2019 07 17 klein george 365 days of drawing gibbs smith japan 365 is the essential art book of japan

doodle a day 365 everyday things to draw and sketch use - Feb 16 2022

web you could buy guide doodle a day 365 everyday things to draw and sketch use your creativity with a years worth of drawing ideas for doodling sketching and coloring english edition by brighter future books or get it as soon as practical *daily drawing blessinks* - Nov 27 2022

web here s a list of things to draw daily do a little doodle daily in your planner or sketchbook practice may not make you

perfect but it will make you better don't feel you have to do these in order it will be more interesting if we are posting different pics throughout the year post your pic in the sermon sketchnote boss facebook group

*doodle a day 365 everyday things to draw and sketch u* - Aug 05 2023

web get ready to challenge your creativity and improve your drawing skills whether a beginner no doodle a day 365 everyday things to draw and sketch use your creativity with a years worth of drawing ideas for doodling sketching and coloring by brighter future books

*doodle a day 365 everyday things to draw and sket pdf* - Feb 28 2023

web doodle a day 365 everyday things to draw and sket but end up in infectious downloads rather than reading a good book with a cup of tea in the afternoon instead they juggled with some malicious bugs inside their computer

*doodle a day 365 everyday things to draw and sketch use* - Apr 20 2022

web apr 30 2023 this is what happened everyday is a doodle day 130 by bogatyrkhan on deviantart drawing every day for a year newspring creative doodledrawart 100 days of vector illustration the 100 day project medium 365 doodle prompts everyday things to draw and sketch what simple things do you make a habit of in your life day 110 365

*doodle day* - Sep 25 2022

web welcome to doodle day fancy like drawing to get you started fluky has already chosen a colour and painted a random shape let your imagination do the rest every day at midnight everyone will see a new doodle created by fluky the duck of randomness draw what you see relax have fun and don't forget to share your art and visit the

*365 everyday things to draw draw sketch and doodle ideas* - Jan 30 2023

web jul 1 2019 365 everyday things to draw draw sketch and doodle ideas thomas media 4 00 4 ratings 3 reviews are you ready to challenge your creativity and improve your drawing and conceptual skills it's time to relax take a pencil and begin to discover the benefits of drawing

*doodle a day 365 everyday things to draw and sket* - Mar 20 2022

web oct 4 2023 things to do this weekend in houston may 5 8 2022 365 houston 365 things to do in houston top summer art camps for chicagoland kids chicago parent this dad sketched his wife's miscarriage perfectly captured a

*book review in the country we love my family divided* - Apr 29 2022

web may 3 2016 in the country we love is a moving heartbreaking story of one woman's extraordinary resilience in the face of the nightmarish struggles of undocumented

*in the country we love my family divided google books* - Jul 01 2022

web sep 1 2017 spoiler free book review in the country we love my family divided by diane guerrero and michelle burford summary from goodreads the star of

[in the country we love my family divided google books](#) - Aug 02 2022

web find helpful customer reviews and review ratings for in the country we love my family divided updated with new material at amazon com read honest and unbiased

[in the country we love my family divided updated](#) - Jun 12 2023

web in the country we love is a moving heartbreaking story of one woman s extraordinary resilience in the face of the nightmarish struggles of undocumented residents in this

**in the country we love my family divided updated with new** - Nov 05 2022

web written with best selling author michelle burford this memoir is a tale of personal triumph that also casts a much needed light on the fears that haunt the daily existence of

**in the country we love macmillan** - Apr 10 2023

web isbn 978 1 250 13496 7 in the country we love is a memoir by american actress diane guerrero the book first published in 2016 follows guerrero s upbringing in boston

*in family we trust türkçe altyazılı izle dizifon* - Jan 27 2022

web 1 online resource diane guerrero the television actress from the megahit orange is the new black and jane the virgin was just fourteen years old on the day her parents and

**in the country we love my family divided amazon com** - Sep 03 2022

web may 3 2016 in the country we love is a moving heartbreaking story of one woman s extraordinary resilience in the face of the nightmarish struggles of undocumented

*in the country we love my family divided kindle* - Dec 06 2022

web aug 3 2023 find many great new used options and get the best deals for in the country we love my family divided updated with new material at the best online prices at

**pdf in the country we love my family divided updated with** - Feb 08 2023

web in the country we love is a moving heartbreaking story of one woman s extraordinary resilience in the face of the nightmarish struggles of undocumented residents in this

[in the country we love my family divided libby](#) - Feb 25 2022

web in the country we love my family divided guerrero diane burford michelle amazon de bücher

[in the country we love my family divided updated](#) - Aug 14 2023

web may 30 2017 buy in the country we love my family divided updated with new material illustrated by guerrero diane burford michelle isbn 9781250134967 from

[in the country we love my family divided archive org](#) - Jan 07 2023

web order the book in the country we love my family divided updated with new material paperback in bulk at wholesale prices isbn 9781250134967 by diane guerrero

**in the country we love wikipedia** - Mar 09 2023

web jan 20 2022 even fiction textbooks sometimes need a certain amount of analysis to make certain these are factually right in the country we love my family divided updated

*in the country we love my family divided updated with new* - May 11 2023

web may 30 2017 in the country we love is a moving heartbreaking story of one woman s extraordinary resilience in the face of the nightmarish struggles of undocumented

*in the country we love my family divided updated* - Jul 13 2023

web may 30 2017 in the country we love my family divided updated with new material paperback may 30 2017 by diane guerrero author michelle burford author 4 6

in the country we love my family divided amazon de - Dec 26 2021

**in the country we love my family divided updated with new** - Oct 04 2022

web the star of orange is the new black and jane the virgin presents her personal story of the real plight of undocumented immigrants in this country updated for 2018 diane

**in the country we love my family divided archive org** - Nov 24 2021

amazon com customer reviews in the country we love my - May 31 2022

web in the country we love my family divided ebook written by diane guerrero michelle burford read this book using google play books app on your pc android ios devices

**in the country we love my family divided google play** - Mar 29 2022

web in family we trust izle gerilim ve gizem temalı tayland dizilerinden in family we trust türkçe altyazılı izle seçeneğiyle sizlerle love begins 2023 tayland dram dizi 5 0