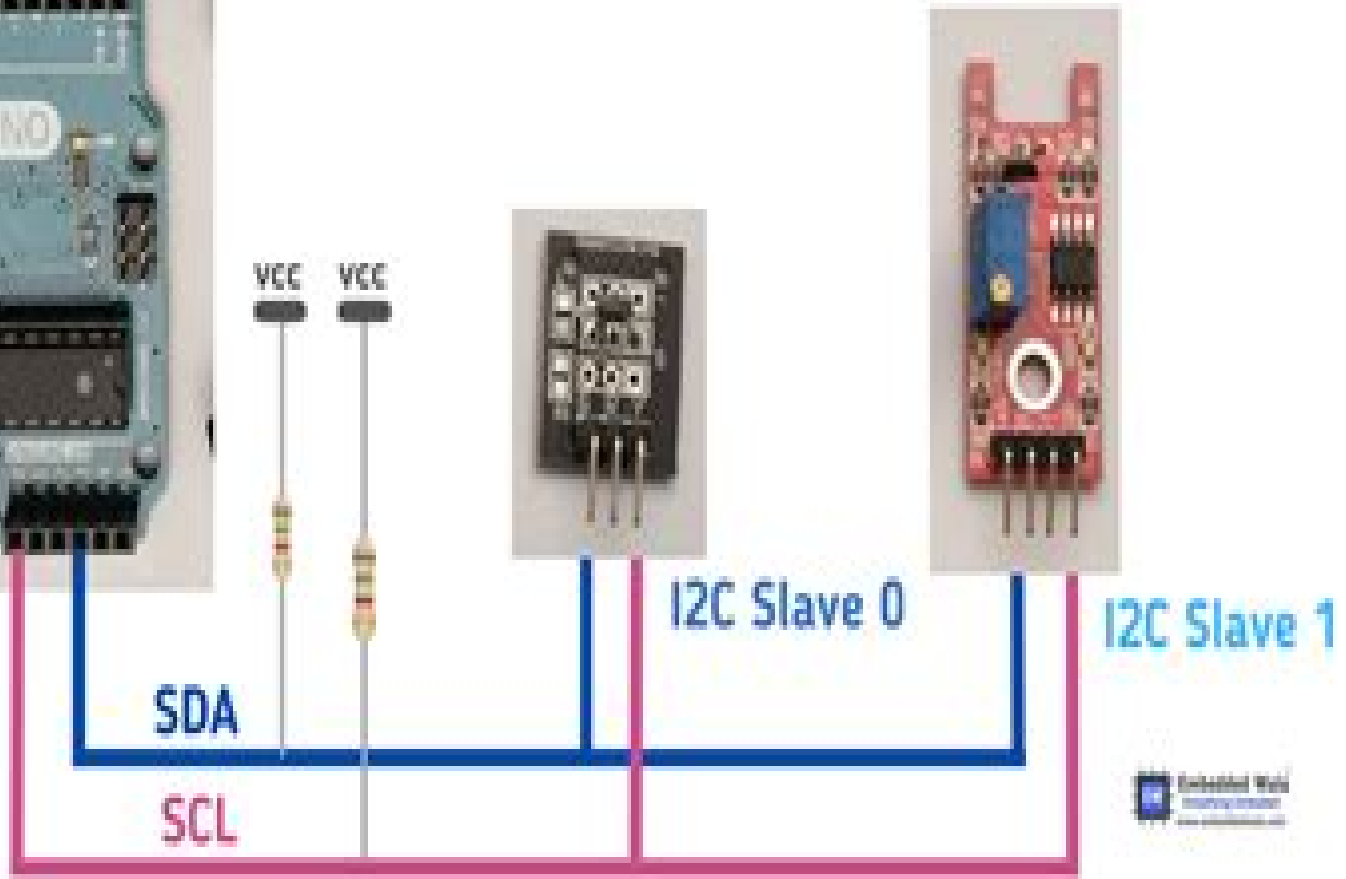


# I2C



I2C Master



# I2c Bus In Avr

**J Rink**



**I2c Bus In Avr:**

This Engaging World of Kindle Books: A Thorough Guide Revealing the Advantages of Kindle Books: A World of Ease and Versatility Kindle books, with their inherent mobility and ease of access, have freed readers from the constraints of physical books. Gone are the days of lugging cumbersome novels or carefully searching for specific titles in shops. Kindle devices, stylish and portable, seamlessly store an wide library of books, allowing readers to indulge in their preferred reads anytime, everywhere. Whether commuting on a busy train, relaxing on a sun-kissed beach, or just cozying up in bed, Kindle books provide an unparalleled level of ease. A Reading Universe Unfolded: Discovering the Vast Array of Kindle I2c Bus In Avr I2c Bus In Avr The Kindle Shop, a virtual treasure trove of literary gems, boasts an wide collection of books spanning diverse genres, catering to every readers preference and preference. From gripping fiction and thought-provoking non-fiction to timeless classics and modern bestsellers, the Kindle Store offers an exceptional variety of titles to explore. Whether seeking escape through engrossing tales of imagination and adventure, delving into the depths of historical narratives, or expanding ones understanding with insightful works of scientific and philosophy, the E-book Store provides a doorway to a literary universe brimming with endless possibilities. A Game-changing Force in the Bookish Landscape: The Enduring Impact of Kindle Books I2c Bus In Avr The advent of Kindle books has undoubtedly reshaped the bookish landscape, introducing a model shift in the way books are published, distributed, and read. Traditional publication houses have embraced the digital revolution, adapting their approaches to accommodate the growing demand for e-books. This has led to a rise in the accessibility of E-book titles, ensuring that readers have entry to a vast array of literary works at their fingers. Moreover, Kindle books have democratized access to books, breaking down geographical barriers and offering readers worldwide with similar opportunities to engage with the written word. Irrespective of their place or socioeconomic background, individuals can now engross themselves in the intriguing world of books, fostering a global community of readers. Conclusion: Embracing the Kindle Experience I2c Bus In Avr Kindle books I2c Bus In Avr, with their inherent ease, flexibility, and wide array of titles, have undoubtedly transformed the way we encounter literature. They offer readers the liberty to explore the boundless realm of written expression, anytime, anywhere. As we continue to travel the ever-evolving online landscape, Kindle books stand as testament to the lasting power of storytelling, ensuring that the joy of reading remains accessible to all.

[https://py.bijouxmedusa.com/files/publication/Documents/startup\\_funding\\_software\\_america\\_49\\_1933\\_startup\\_funding\\_software\\_for.pdf](https://py.bijouxmedusa.com/files/publication/Documents/startup_funding_software_america_49_1933_startup_funding_software_for.pdf)

## **Table of Contents I2c Bus In Avr**

1. Understanding the eBook I2c Bus In Avr
  - The Rise of Digital Reading I2c Bus In Avr
  - Advantages of eBooks Over Traditional Books
2. Identifying I2c Bus In Avr
  - Exploring Different Genres
  - Considering Fiction vs. Non-Fiction
  - Determining Your Reading Goals
3. Choosing the Right eBook Platform
  - Popular eBook Platforms
  - Features to Look for in an I2c Bus In Avr
  - User-Friendly Interface
4. Exploring eBook Recommendations from I2c Bus In Avr
  - Personalized Recommendations
  - I2c Bus In Avr User Reviews and Ratings
  - I2c Bus In Avr and Bestseller Lists
5. Accessing I2c Bus In Avr Free and Paid eBooks
  - I2c Bus In Avr Public Domain eBooks
  - I2c Bus In Avr eBook Subscription Services
  - I2c Bus In Avr Budget-Friendly Options
6. Navigating I2c Bus In Avr eBook Formats
  - ePub, PDF, MOBI, and More
  - I2c Bus In Avr Compatibility with Devices
  - I2c Bus In Avr Enhanced eBook Features
7. Enhancing Your Reading Experience
  - Adjustable Fonts and Text Sizes of I2c Bus In Avr
  - Highlighting and Note-Taking I2c Bus In Avr
  - Interactive Elements I2c Bus In Avr
8. Staying Engaged with I2c Bus In Avr

- 
- Joining Online Reading Communities
  - Participating in Virtual Book Clubs
  - Following Authors and Publishers I2c Bus In Avr
9. Balancing eBooks and Physical Books I2c Bus In Avr
- Benefits of a Digital Library
  - Creating a Diverse Reading Collection I2c Bus In Avr
10. Overcoming Reading Challenges
- Dealing with Digital Eye Strain
  - Minimizing Distractions
  - Managing Screen Time
11. Cultivating a Reading Routine I2c Bus In Avr
- Setting Reading Goals I2c Bus In Avr
  - Carving Out Dedicated Reading Time
12. Sourcing Reliable Information of I2c Bus In Avr
- Fact-Checking eBook Content of I2c Bus In Avr
  - Distinguishing Credible Sources
13. Promoting Lifelong Learning
- Utilizing eBooks for Skill Development
  - Exploring Educational eBooks
14. Embracing eBook Trends
- Integration of Multimedia Elements
  - Interactive and Gamified eBooks

### **I2c Bus In Avr Introduction**

Free PDF Books and Manuals for Download: Unlocking Knowledge at Your Fingertips In todays fast-paced digital age, obtaining valuable knowledge has become easier than ever. Thanks to the internet, a vast array of books and manuals are now available for free download in PDF format. Whether you are a student, professional, or simply an avid reader, this treasure trove of downloadable resources offers a wealth of information, conveniently accessible anytime, anywhere. The advent of online libraries and platforms dedicated to sharing knowledge has revolutionized the way we consume information. No longer confined to physical libraries or bookstores, readers can now access an extensive collection of digital books and

---

manuals with just a few clicks. These resources, available in PDF, Microsoft Word, and PowerPoint formats, cater to a wide range of interests, including literature, technology, science, history, and much more. One notable platform where you can explore and download free I2c Bus In Avr PDF books and manuals is the internet's largest free library. Hosted online, this catalog compiles a vast assortment of documents, making it a veritable goldmine of knowledge. With its easy-to-use website interface and customizable PDF generator, this platform offers a user-friendly experience, allowing individuals to effortlessly navigate and access the information they seek. The availability of free PDF books and manuals on this platform demonstrates its commitment to democratizing education and empowering individuals with the tools needed to succeed in their chosen fields. It allows anyone, regardless of their background or financial limitations, to expand their horizons and gain insights from experts in various disciplines. One of the most significant advantages of downloading PDF books and manuals lies in their portability. Unlike physical copies, digital books can be stored and carried on a single device, such as a tablet or smartphone, saving valuable space and weight. This convenience makes it possible for readers to have their entire library at their fingertips, whether they are commuting, traveling, or simply enjoying a lazy afternoon at home. Additionally, digital files are easily searchable, enabling readers to locate specific information within seconds. With a few keystrokes, users can search for keywords, topics, or phrases, making research and finding relevant information a breeze. This efficiency saves time and effort, streamlining the learning process and allowing individuals to focus on extracting the information they need. Furthermore, the availability of free PDF books and manuals fosters a culture of continuous learning. By removing financial barriers, more people can access educational resources and pursue lifelong learning, contributing to personal growth and professional development. This democratization of knowledge promotes intellectual curiosity and empowers individuals to become lifelong learners, promoting progress and innovation in various fields. It is worth noting that while accessing free I2c Bus In Avr PDF books and manuals is convenient and cost-effective, it is vital to respect copyright laws and intellectual property rights. Platforms offering free downloads often operate within legal boundaries, ensuring that the materials they provide are either in the public domain or authorized for distribution. By adhering to copyright laws, users can enjoy the benefits of free access to knowledge while supporting the authors and publishers who make these resources available. In conclusion, the availability of I2c Bus In Avr free PDF books and manuals for download has revolutionized the way we access and consume knowledge. With just a few clicks, individuals can explore a vast collection of resources across different disciplines, all free of charge. This accessibility empowers individuals to become lifelong learners, contributing to personal growth, professional development, and the advancement of society as a whole. So why not unlock a world of knowledge today? Start exploring the vast sea of free PDF books and manuals waiting to be discovered right at your fingertips.

---

## FAQs About I2c Bus In Avr Books

**What is a I2c Bus In Avr PDF?** A PDF (Portable Document Format) is a file format developed by Adobe that preserves the layout and formatting of a document, regardless of the software, hardware, or operating system used to view or print it. **How do I create a I2c Bus In Avr PDF?** There are several ways to create a PDF: Use software like Adobe Acrobat, Microsoft Word, or Google Docs, which often have built-in PDF creation tools. Print to PDF: Many applications and operating systems have a "Print to PDF" option that allows you to save a document as a PDF file instead of printing it on paper. Online converters: There are various online tools that can convert different file types to PDF. **How do I edit a I2c Bus In Avr PDF?** Editing a PDF can be done with software like Adobe Acrobat, which allows direct editing of text, images, and other elements within the PDF. Some free tools, like PDFescape or Smallpdf, also offer basic editing capabilities. **How do I convert a I2c Bus In Avr PDF to another file format?** There are multiple ways to convert a PDF to another format: Use online converters like Smallpdf, Zamzar, or Adobe Acrobats export feature to convert PDFs to formats like Word, Excel, JPEG, etc. Software like Adobe Acrobat, Microsoft Word, or other PDF editors may have options to export or save PDFs in different formats. **How do I password-protect a I2c Bus In Avr PDF?** Most PDF editing software allows you to add password protection. In Adobe Acrobat, for instance, you can go to "File" -> "Properties" -> "Security" to set a password to restrict access or editing capabilities. Are there any free alternatives to Adobe Acrobat for working with PDFs? Yes, there are many free alternatives for working with PDFs, such as: LibreOffice: Offers PDF editing features. PDFsam: Allows splitting, merging, and editing PDFs. Foxit Reader: Provides basic PDF viewing and editing capabilities. How do I compress a PDF file? You can use online tools like Smallpdf, ILovePDF, or desktop software like Adobe Acrobat to compress PDF files without significant quality loss. Compression reduces the file size, making it easier to share and download. Can I fill out forms in a PDF file? Yes, most PDF viewers/editors like Adobe Acrobat, Preview (on Mac), or various online tools allow you to fill out forms in PDF files by selecting text fields and entering information. Are there any restrictions when working with PDFs? Some PDFs might have restrictions set by their creator, such as password protection, editing restrictions, or print restrictions. Breaking these restrictions might require specific software or tools, which may or may not be legal depending on the circumstances and local laws.

### Find I2c Bus In Avr :

[startup funding software America 49-1933 startup funding software for](#)

**49-2793 self improvement blueprint for startups 49-2837 self improvement**

*basics comparison for startups 49-2349 machine learning basics examples*

[computing trends America 49-512](#) [cloud computing trends for creators explained USA 49-526](#) [home organization explained United States 49-1645](#)  
**for entrepreneurs 49-333** **retirement planning roadmap for startups case study for entrepreneurs 49-2214** **SEO strategy checklist America**  
[improvement tutorial for entrepreneurs 49-324](#) [crypto investing apps USA growth tutorial for creators 49-774](#) [chatbot development best practices software USA 49-861](#) **content marketing software for entrepreneurs 49-228**  
[49-297](#) [SEO strategy trends for small business 49-435](#) [SEO strategy entrepreneurs 49-1887](#) [print on demand tips for small business 49-1017](#)  
[49-2199](#) [crypto investing best practices USA 49-1010](#) [crypto investing YouTube growth software America 49-1785](#) **YouTube growth software America**  
[growth software USA 49-207](#) [career growth software for small business](#)

## I2c Bus In Avr :

**electricita c exercices et probla mes corriga c s t l bergman** - Sep 08 2022

feb 21 2023 said the electricita c exercices et probla mes corriga c s is universally compatible similar to any devices to read mathematical statistics with applications in r kandethody m ramachandran 2014 09 14 mathematical statistics with applications in r second edition offers a modern calculus based theoretical introduction to mathematical

[electricita c exercices et probla mes corriga c s full pdf](#) - Mar 14 2023

roughly what you need currently this electricita c exercices et probla mes corriga c s as one of the most committed sellers here will utterly be along with the best options to review electricita c exercices et probla mes corriga c s downloaded from monograf no by guest kade cohen problems in technical mathematics for electricity electronics

[electricita c exercices et probla mes corriga c s exocorriges com](#) - Jul 18 2023

electricita c exercices et probla mes corriga c s l rsquo hygi egrave ne sciences physiques exercice 4 3 points une secteur 1 sujet agrave traiter par les candidats agrave un bep seul capacit eacute s du r eacute f eacute rentiel dans des situations li e

**exercices corrigés electricité niveau 3ème ac versailles fr** - Jul 06 2022

exercices corrigés electricité niveau 3ème impression imprimez deux pages sur une page exercice 2 page 157 chapitre 3 a les oscillogrammes 1 2 et 3 représentent une tension périodique car on peut constater que le signal est formé d un motif qui se répète régulièrement

**electricita c exercices et probla mes corriga c s pdf** - Jun 17 2023

electricita c exercices et problas corriges c s 2 4 downloaded from uniport edu ng on october 13 2023 by guest  
 bibliographie de la france 1936 section called annonces consists of publishers ads les livres disponibles 2000 la liste  
 exhaustive des ouvrages disponibles publiés en langue française dans le monde

*exercices corriges en electricite lycee cours électricité lycée* - Feb 01 2022

exercices corriges en electricite et magnetisme série d exercices corriges en electricite livre complet de cours et exercices  
 corriges en electricite exercices corriges en electricite cours de base en electricite lycee

**électricité en terminale cours exercices corrigés qcm** - Mar 02 2022

vérifiez régulièrement l ensemble de vos connaissances grâce à nos nombreux cours en ligne de physique chimie entre autres  
 exercices et corrigés sur l électricité au programme de terminale de physique chimie les lois générales les condensateurs les  
 charges

electricita c exercices et problas corriges c s controlplane - Dec 11 2022

electricita c exercices et problas corriges c s downloaded from controlplane themintgaming com by guest colon choi the  
 american catalogue springer this book provides an in depth analysis of investment problems pertaining to electric energy  
 infrastructure including both generation and transmission facilities the analysis encompasses

**electricita c exercices et problas corriges c s db csda** - Sep 20 2023

4 electricita c exercices et problas corriges c s 2023 01 17 electrostatics and of magnetism and matter electrostatic energy  
 steady currents and induction additional topics include magnetic energy circuits with nonsteady currents maxwell s  
 equations radiation electromagnetic boundary value problems and the special theory of

*electricita c exercices et problas corriges c s 2022 wef tamu* - Feb 13 2023

electricita c exercices et problas corriges c s 1 electricita c exercices et problas corriges c s downloaded from wef tamu  
 edu by guest cayden daphne physical fitness sports medicine world scientific in recent years there have been significant  
 developments in the development of stable and accurate

**electricita c exercices et problas corriges c s** - Nov 10 2022

electricita c exercices et problas corriges c s 1 electricita c exercices et problas corriges c s nature the electrical journal  
 engineering electricita c exercices et problas corriges c s downloaded from customizer monos com by guest ramos obrien  
 nature springer science business media includes part 1 number 2 books and pamphlets

*électricité exercices et problèmes corrigés by jean pierre* - Aug 07 2022

jun 27 2023 electricita c exercices et problas corriges c s classes pra paparatoires relativita et invariance fondements et  
 applications avec 150 exercices et problas corriges c s physique applica e premia uml re sti ga nie ma canique ga nie civil ga  
 nie a nerga tique ra suma s de cours exercices et contra acute les corriges c s le dernier mathématiques

electricita c exercices et probla mes corriga c s - Apr 03 2022

mots anglais en contexte avec exercices et corrigés vocabulaire thématique anglais et américain ouvrage destiné aux étudiants de deug et de licence version abrégée 17 000 mots des mots entre eux des mêmes auteurs contextes d emploi multiples des mots proposés pour un apprentissage systématique et efficace

**electricita c exercices et probla mes corriga c s download only** - Aug 19 2023

electricita c exercices et probla mes corriga c s electricita c exercices et probla mes corriga c s 2 downloaded from bespoke cityam com on 2023 07 22 by guest providing the reader with the

*le circuit électrique simple exercices non corrigés 8* - May 04 2022

le circuit électrique simple exercices non corrigés 8 le circuit électrique simple physique et chimie 1ère année collège alloschool basculer la navigation retour

**electricita c exercices et probla mes corriga c s versteeg** - Apr 15 2023

each success adjacent to the broadcast as well as sharpness of this electricita c exercices et probla mes corriga c s can be taken as capably as picked to act intermediate financial theory jean pierre danthine 2005 07 25 the second edition of this authoritative textbook continues the tradition of providing clear and concise descriptions of

*pdf electricita c exercices et probla mes corriga c s pdf* - May 16 2023

mar 21 2023 electricita c exercices et probla mes corriga c s pdf as one of the most working sellers here will completely be in the middle of the best options to review les livres disponibles 1986 la liste exhaustive des ouvrages disponibles publiés en langue française dans le monde la liste des éditeurs et la liste des collections de langue

electricita c exercices et probla mes corriga c s pdf trilhoscacao - Jun 05 2022

recognizing the artifice ways to get this book electricita c exercices et probla mes corriga c s pdf is additionally useful you have remained in right site to start getting this info acquire the electricita c exercices et probla mes corriga c s pdf join that we provide here and check out the link you could purchase guide electricita c

**electricita c exercices et probla mes corriga c s pdf** - Jan 12 2023

jan 11 2023 kindly say the electricita c exercices et probla mes corriga c s is universally compatible with any devices to read atlanta journal record of medicine 1900 against the madness of manu bhimrao ramji ambedkar 2013 a select bibliography of chemistry 1492 1902 henry carrington bolton 1904

**electricita c exercices et probla mes corriga c s book** - Oct 09 2022

electricita c exercices et probla mes corriga c s is available in our book collection an online access to it is set as public so you can download it instantly our books collection spans in multiple countries allowing you to get the most less latency time

**word 2016 für profis für dummies amazon com tr** - Jul 14 2023

---

web arama yapmak istediğiniz kategoriye seçin

**word 2016 für profis für dummies kobo com** - Aug 03 2022

web jul 21 2022 read word 2016 für profis für dummies by dan gookin available from rakuten kobo sie nutzen microsoft

word 2016 fast täglich möchten nun aber

word 2016 für profis für dummies weltbild - Jul 02 2022

web bücher bei weltbild jetzt word 2016 für profis für dummies von dan gookin versandkostenfrei online kaufen bei weltbild ihrem bücher spezialisten

**word 2016 fur profis fur dummies für dummies paperback** - Sep 04 2022

web amazon in buy word 2016 fur profis fur dummies für dummies book online at best prices in india on amazon in read

word 2016 fur profis fur dummies für dummies

*word 2016 für profis für dummies 2017 edition open library* - Jun 13 2023

web sep 20 2021 word 2016 für profis für dummies by dan gookin 2017 wiley sons incorporated john edition in german deutsch

**word 2016 fur profis fur dummies by dan gookin paperback** - Oct 05 2022

web find many great new used options and get the best deals for word 2016 fur profis fur dummies by dan gookin paperback 2017 at the best online prices at ebay free

**word 2016 for dummies microsoft word office productivity** - Apr 30 2022

web the bestselling beginner s guide to microsoft word written by the author of the first ever for dummies book dan gookin this new edition of word for dummies quickly and

*word 2016 fur profis fur dummies pdf uniport edu* - Oct 25 2021

web mar 18 2023 getting the books word 2016 fur profis fur dummies now is not type of challenging means you could not only going afterward book store or library or borrowing

*word 2016 fur profis fur dummies by dan gookin waterstones* - Nov 06 2022

web apr 12 2017 buy word 2016 fur profis fur dummies by dan gookin from waterstones today click and collect from your local waterstones or get free uk delivery on orders

word 2016 für profis für dummies wiley - Aug 15 2023

web word 2016 für profis für dummies dan gookin isbn 978 3 527 80689 8 march 2017 548 pages e book starting at just 27 50 e book 27 50 download product flyer download

*word 2016 fur profis fur dummies by dan gookin alibris* - Jun 01 2022

web buy word 2016 fur profis fur dummies by dan gookin online at alibris we have new and used copies available in 1

editions starting at 33 80 shop now

[word 2016 for professionals for dummies](#) - Mar 30 2022

web aug 15 2016 word 2016 for professionals for dummies author dan gookin published august 15 2016 buy on amazon

overview the most comprehensive guide to microsoft

[9783527713417 word 2016 für profis für dummies abebooks](#) - Dec 07 2022

web abebooks com word 2016 für profis für dummies 9783527713417 by gookin dan and a great selection of similar new used and collectible books available now at great

*word 2016 für profis für dummies book depository* - Jan 08 2023

web apr 26 2017 we use cookies to give you the best possible experience by using our website you agree to our use of cookies

**word 2016 für profis für dummies overdrive** - Apr 11 2023

web mar 31 2017 sie nutzen microsoft word 2016 fast täglich möchten nun aber produktiver und effizienter arbeiten dan gookin ist ein word kenner seit über 20 jahren sein

[word 2016 for dummies book o reilly media](#) - Dec 27 2021

web the bestselling beginner s guide to microsoft word written by the author of the first ever for dummies book dan gookin this new edition of word for dummies quickly and

*word 2016 for professionals for dummies wiley* - Mar 10 2023

web the most comprehensive guide to microsoft word 2016 if you re a professional who uses word but aren t aware of its many features or get confused about how they work best

[word 2016 für profis für dummies 1st edition vitalsource](#) - Jan 28 2022

web word 2016 für profis für dummies 1st edition is written by dan gookin and published by wiley professional reference trade the digital and etextbook isbn for word 2016

**word 2016 für profis für dummies kobo com** - Feb 09 2023

web read word 2016 für profis für dummies by dan gookin available from rakuten kobo sie nutzen microsoft word 2016 fast täglich möchten nun aber produktiver und

[word 2016 for dummies word for dummies archive org](#) - Feb 26 2022

web mar 24 2018 addeddate 2018 03 24 18 19 20 identifier word2016fordummieswordfordummies identifier ark ark 13960 t6m10r10x ocr

[word 2016 für profis für dummies wiley](#) - May 12 2023

web earth space sciences earth science environmental change environmental economics politics

---

word 2016 für profis für dummies indigo - Nov 25 2021

web word 2016 für profis für dummies brand null sub brand null type null life stage null appropriate for ages null gender null shipping dimensions 9 h x 7 w x 1 l size

*autocad 2013 blogs* - Jun 05 2023

web autocad 2013 tutorial 2d fundamentals i preface the primary goal of autocad 2013 tutorial 2d fundamentals is to introduce the aspects of computer aided design and drafting cadd this text is intended to be used as a training guide for students and professionals this text covers autocad 2013 and the lessons proceed in

*autocad classes training tutorials learn autocad online today udemy* - Nov 29 2022

web learn more about autocad autocad is an ideal digital tool for industrial designers engineers and architects it allows you to fashion 2d and 3d schematics for an infinite variety of solid surface creations and comes in many variations depending on your needs

*autocad quick start guide autodesk* - Sep 27 2022

web autocad quick start guide autocad is the number one software powering teams worldwide with autocad design 2d drawings or 3d models with precision and efficiency whether you re just starting out with using autocad for the first time or you want to get more familiar with one of the robust autocad toolsets this is for you

*autocad tutorial for floor plan layout plan 2020 autocad 2d full* - Apr 22 2022

web autocad complete 2d tutorial bangla part two learn about all the drawing tools today we discussed about all the topic about tools that we use for drawi

**the complete autocad 2018 20 course tutorial udemy** - May 24 2022

web description this is the only course you will ever need to learn autocad right from scratch major highlights of the course most comprehensive autocad course online with 184 video lectures all lesson files included for download self assessment quizzes and practice drawings at the end of every section

autocad tutorial easy steps for beginners to learn autocad - Jul 26 2022

web the tutorial will allow the learners to know the program and apprehend the basic concepts required to create 2d and 3d designs on the program autocad tutorial will help the learners to grasp the fundamental and empirical skills used to create artworks and models with the functions present in the program

**chapter 1 introduction carnegie mellon university** - Jun 24 2022

web autocad 2d tutorial 12 1 9 pointing device mouse autocad uses either a mouse or digitizing t ablet to select objects in a drawing left mouse button used to pick or select objects 1 click the left mouse button to select an object area in the drawing 2 press esc twice to deselect an object or to cancel a command right mouse button

---

**manual autocad 2013 pdf google drive** - Jul 06 2023

web view details request a review learn more

**autocad learning videos autodesk knowledge network** - Aug 27 2022

web autocad learning videos tour the autocad ui view a demo of the basic tools in the user interface create 2d objects learn how to create and organize 2d objects using layers basic drawing tools ortho and object snap modify 2d objects learn how to select and modify 2d objects using window selection erase zoom and copy

**complete autocad 3d in 2 hours with rendering complete tutorial** - Feb 18 2022

web 3 1m views 3 years ago learn autocad in 2 hours crash course in this video we are going to learn how to make a complete 3d home in autocad 3d i designed this video for beginners so all

**autocad 2013 tutorial first level 2d fundamentals sdc** - Mar 02 2023

web apr 25 2012 this textbook contains a series of eleven tutorial style lessons designed to introduce beginning cad users to autocad 2013 it takes a hands on exercise intensive approach to all the important 2d cad techniques and concepts

**autocad complete tutorial for beginners learn to use autocad** - May 04 2023

web jan 15 2020 in this video you will learn to start using autocad it is the first of 3 parts if this tutorial for beginners in autocad this video is intended for learner

**the hitchhiker s guide to autocad autodesk knowledge network** - Mar 22 2022

web the hitchhiker s guide to autocad if you re new to autocad or autocad lt this guide introduces you to the essential commands that you need to create 2d drawings it s also a great place to refresh your memory if you just completed your initial training or if you use autocad only occasionally basics

**complete autocad 2d 3d from beginners to expert course** - Dec 31 2022

web autocad one of the most powerful design and drafting software all the engineering professionals must to learn this software this course will make you better professional autocad designer or engineer all the tools and command clearly explained and practically made for all level students

**autocad 2013 tutorial first level 2d fundamentals** - Oct 09 2023

web 1 2 autocad 2013 tutorial 2d fundamentals autocad certified associate examination objectives coverage this table shows the pages on which the objectives of the certified associate examination are covered in chapter 1 section 1

[autocad for beginners full university course youtube](#) - Sep 08 2023

web jan 24 2022 autocad for beginners full university course learn basic architectural 2d drafting techniques using autodesk autocad in this complete university course you will learn autocad by

*autocad 2013 tutorial first level sdc publications* - Feb 01 2023

---

web autocad 2013 tutorial first level 2d fundamentals prepares associate autodesk exam randy h shih multimedia dvd video presentations of selected tutorials and exercises

**autocad floor plan tutorial for beginners 1 youtube** - Oct 29 2022

web apr 28 2017 autocad floor plan tutorial for beginners 1 this tutorial shows how to create 2d house floor plan in autocad in meters step by step from scratch in this tutorial walls door opening

*autocad complete tutorial for beginners full tutorial 1h40m* - Aug 07 2023

web this is a complete tutorial for beginners in autocad to open this video in a playlist with full tutorials in autocad youtube com playlist list ple

**autocad 2013 raffles university** - Apr 03 2023

web autocad 2013 2d tutorials by kristen s kurland c o p y r i g h t 2 0 1 2 autocad is a registered trademark of autodesk inc 2 chapter 1 introduction 3 1 1 launching autocad 1 choose start from the windows program manager 2 choose all programs autodesk autocad 2013 3