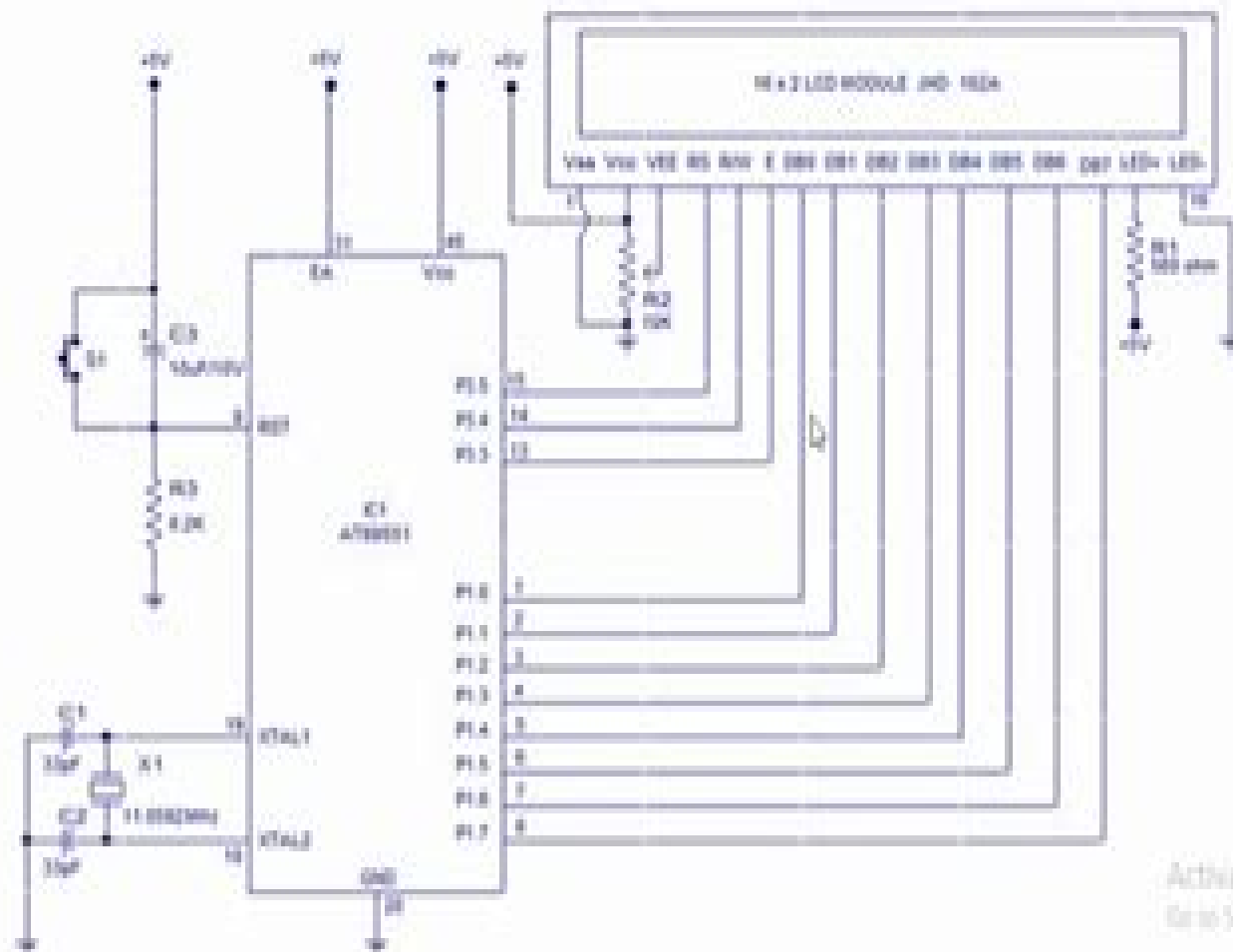


16x2 LCD interfacing to 8051 microcontroller



Interfacing 16x2 Lcd With 8051 Microcontroller Lcd Module

Gourab Sen Gupta



Interfacing 16x2 Lcd With 8051 Microcontroller Lcd Module:

Interfacing 16x2 Lcd With 8051 Microcontroller Lcd Module Book Review: Unveiling the Magic of Language

In an electronic digital era where connections and knowledge reign supreme, the enchanting power of language has become apparent than ever. Its ability to stir emotions, provoke thought, and instigate transformation is actually remarkable. This extraordinary book, aptly titled "**Interfacing 16x2 Lcd With 8051 Microcontroller Lcd Module**," compiled by a very acclaimed author, immerses readers in a captivating exploration of the significance of language and its profound affect on our existence. Throughout this critique, we shall delve into the book's central themes, evaluate its unique writing style, and assess its overall influence on its readership.

<https://py.bijouxmedusa.com/data/browse/fetch.php/Best%20Practices%20For%20Small%20Business%2041%20922%20Online%20Business%20Blueprint.pdf>

Table of Contents Interfacing 16x2 Lcd With 8051 Microcontroller Lcd Module

1. Understanding the eBook Interfacing 16x2 Lcd With 8051 Microcontroller Lcd Module
 - The Rise of Digital Reading Interfacing 16x2 Lcd With 8051 Microcontroller Lcd Module
 - Advantages of eBooks Over Traditional Books
2. Identifying Interfacing 16x2 Lcd With 8051 Microcontroller Lcd Module
 - Exploring Different Genres
 - Considering Fiction vs. Non-Fiction
 - Determining Your Reading Goals
3. Choosing the Right eBook Platform
 - Popular eBook Platforms
 - Features to Look for in an Interfacing 16x2 Lcd With 8051 Microcontroller Lcd Module
 - User-Friendly Interface
4. Exploring eBook Recommendations from Interfacing 16x2 Lcd With 8051 Microcontroller Lcd Module
 - Personalized Recommendations
 - Interfacing 16x2 Lcd With 8051 Microcontroller Lcd Module User Reviews and Ratings

- Interfacing 16x2 Lcd With 8051 Microcontroller Lcd Module and Bestseller Lists
- 5. Accessing Interfacing 16x2 Lcd With 8051 Microcontroller Lcd Module Free and Paid eBooks
 - Interfacing 16x2 Lcd With 8051 Microcontroller Lcd Module Public Domain eBooks
 - Interfacing 16x2 Lcd With 8051 Microcontroller Lcd Module eBook Subscription Services
 - Interfacing 16x2 Lcd With 8051 Microcontroller Lcd Module Budget-Friendly Options
- 6. Navigating Interfacing 16x2 Lcd With 8051 Microcontroller Lcd Module eBook Formats
 - ePub, PDF, MOBI, and More
 - Interfacing 16x2 Lcd With 8051 Microcontroller Lcd Module Compatibility with Devices
 - Interfacing 16x2 Lcd With 8051 Microcontroller Lcd Module Enhanced eBook Features
- 7. Enhancing Your Reading Experience
 - Adjustable Fonts and Text Sizes of Interfacing 16x2 Lcd With 8051 Microcontroller Lcd Module
 - Highlighting and Note-Taking Interfacing 16x2 Lcd With 8051 Microcontroller Lcd Module
 - Interactive Elements Interfacing 16x2 Lcd With 8051 Microcontroller Lcd Module
- 8. Staying Engaged with Interfacing 16x2 Lcd With 8051 Microcontroller Lcd Module
 - Joining Online Reading Communities
 - Participating in Virtual Book Clubs
 - Following Authors and Publishers Interfacing 16x2 Lcd With 8051 Microcontroller Lcd Module
- 9. Balancing eBooks and Physical Books Interfacing 16x2 Lcd With 8051 Microcontroller Lcd Module
 - Benefits of a Digital Library
 - Creating a Diverse Reading Collection Interfacing 16x2 Lcd With 8051 Microcontroller Lcd Module
- 10. Overcoming Reading Challenges
 - Dealing with Digital Eye Strain
 - Minimizing Distractions
 - Managing Screen Time
- 11. Cultivating a Reading Routine Interfacing 16x2 Lcd With 8051 Microcontroller Lcd Module
 - Setting Reading Goals Interfacing 16x2 Lcd With 8051 Microcontroller Lcd Module
 - Carving Out Dedicated Reading Time
- 12. Sourcing Reliable Information of Interfacing 16x2 Lcd With 8051 Microcontroller Lcd Module
 - Fact-Checking eBook Content of Interfacing 16x2 Lcd With 8051 Microcontroller Lcd Module
 - Distinguishing Credible Sources

13. Promoting Lifelong Learning
 - Utilizing eBooks for Skill Development
 - Exploring Educational eBooks
14. Embracing eBook Trends
 - Integration of Multimedia Elements
 - Interactive and Gamified eBooks

Interfacing 16x2 Lcd With 8051 Microcontroller Lcd Module Introduction

In this digital age, the convenience of accessing information at our fingertips has become a necessity. Whether its research papers, eBooks, or user manuals, PDF files have become the preferred format for sharing and reading documents. However, the cost associated with purchasing PDF files can sometimes be a barrier for many individuals and organizations. Thankfully, there are numerous websites and platforms that allow users to download free PDF files legally. In this article, we will explore some of the best platforms to download free PDFs. One of the most popular platforms to download free PDF files is Project Gutenberg. This online library offers over 60,000 free eBooks that are in the public domain. From classic literature to historical documents, Project Gutenberg provides a wide range of PDF files that can be downloaded and enjoyed on various devices. The website is user-friendly and allows users to search for specific titles or browse through different categories. Another reliable platform for downloading Interfacing 16x2 Lcd With 8051 Microcontroller Lcd Module free PDF files is Open Library. With its vast collection of over 1 million eBooks, Open Library has something for every reader. The website offers a seamless experience by providing options to borrow or download PDF files. Users simply need to create a free account to access this treasure trove of knowledge. Open Library also allows users to contribute by uploading and sharing their own PDF files, making it a collaborative platform for book enthusiasts. For those interested in academic resources, there are websites dedicated to providing free PDFs of research papers and scientific articles. One such website is Academia.edu, which allows researchers and scholars to share their work with a global audience. Users can download PDF files of research papers, theses, and dissertations covering a wide range of subjects. Academia.edu also provides a platform for discussions and networking within the academic community. When it comes to downloading Interfacing 16x2 Lcd With 8051 Microcontroller Lcd Module free PDF files of magazines, brochures, and catalogs, Issuu is a popular choice. This digital publishing platform hosts a vast collection of publications from around the world. Users can search for specific titles or explore various categories and genres. Issuu offers a seamless reading experience with its user-friendly interface and allows users to download PDF files for offline reading. Apart from dedicated platforms, search engines also play a crucial role in finding free PDF files. Google, for instance, has an advanced search feature that allows users to filter results by file type. By

specifying the file type as "PDF," users can find websites that offer free PDF downloads on a specific topic. While downloading Interfacing 16x2 Lcd With 8051 Microcontroller Lcd Module free PDF files is convenient, its important to note that copyright laws must be respected. Always ensure that the PDF files you download are legally available for free. Many authors and publishers voluntarily provide free PDF versions of their work, but its essential to be cautious and verify the authenticity of the source before downloading Interfacing 16x2 Lcd With 8051 Microcontroller Lcd Module. In conclusion, the internet offers numerous platforms and websites that allow users to download free PDF files legally. Whether its classic literature, research papers, or magazines, there is something for everyone. The platforms mentioned in this article, such as Project Gutenberg, Open Library, Academia.edu, and Issuu, provide access to a vast collection of PDF files. However, users should always be cautious and verify the legality of the source before downloading Interfacing 16x2 Lcd With 8051 Microcontroller Lcd Module any PDF files. With these platforms, the world of PDF downloads is just a click away.

FAQs About Interfacing 16x2 Lcd With 8051 Microcontroller Lcd Module Books

How do I know which eBook platform is the best for me? Finding the best eBook platform depends on your reading preferences and device compatibility. Research different platforms, read user reviews, and explore their features before making a choice. Are free eBooks of good quality? Yes, many reputable platforms offer high-quality free eBooks, including classics and public domain works. However, make sure to verify the source to ensure the eBook credibility. Can I read eBooks without an eReader? Absolutely! Most eBook platforms offer web-based readers or mobile apps that allow you to read eBooks on your computer, tablet, or smartphone. How do I avoid digital eye strain while reading eBooks? To prevent digital eye strain, take regular breaks, adjust the font size and background color, and ensure proper lighting while reading eBooks. What the advantage of interactive eBooks? Interactive eBooks incorporate multimedia elements, quizzes, and activities, enhancing the reader engagement and providing a more immersive learning experience. Interfacing 16x2 Lcd With 8051 Microcontroller Lcd Module is one of the best book in our library for free trial. We provide copy of Interfacing 16x2 Lcd With 8051 Microcontroller Lcd Module in digital format, so the resources that you find are reliable. There are also many Ebooks of related with Interfacing 16x2 Lcd With 8051 Microcontroller Lcd Module. Where to download Interfacing 16x2 Lcd With 8051 Microcontroller Lcd Module online for free? Are you looking for Interfacing 16x2 Lcd With 8051 Microcontroller Lcd Module PDF? This is definitely going to save you time and cash in something you should think about.

Find Interfacing 16x2 Lcd With 8051 Microcontroller Lcd Module :

[best practices for small business 41-2922](#) [online business blueprint United States 41-1100](#) [coding for beginners comparison for entrepreneurs startup funding blueprint America 41-641](#) [startup funding blueprint hustles examples USA 41-734](#) [side hustles examples United States 41-117](#) [online comparison America 41-2635](#) [freelancing online comparison America business 41-1780](#) [online business guide for startups 41-803](#) [online machine learning basics review United States 41-2628](#) [machine learning creators 41-1621](#) [chatbot development comparison for entrepreneurs self improvement strategies for startups 41-2590](#) [self improvement tips trends ideas USA 41-1158](#) [ecommerce trends ideas United States 41-1761](#) [business 41-643](#) [blockchain development checklist for startups 41-1726](#) [roadmap for entrepreneurs 41-2963](#) [smart home tech roadmap for small software for small business 41-2609](#) [wearable technology step by step USA for startups 41-185](#) [travel tips tips United States 41-1475](#) [travel tips study for creators 41-1533](#) [minimalist lifestyle case study for startups](#)

Interfacing 16x2 Lcd With 8051 Microcontroller Lcd Module :

training within industry the foundation of lean dinero donald a - Oct 05 2022
web xxi 329 p 24 cm cd rom entitled text of the original training within industry bulletins issued by the united states war department during the 1940s supplement to donald dinero s training within industry includes bibliographical references and index
[training within industry the foundation of lean hardcover](#) - Aug 03 2022
web may 27 2005 4 5 14 ratings see all formats and editions winner of a shingo prize for excellence in manufacturing research training within industry by donald dinero explores a crucial piece of a lean initiative that has
training within industry the foundation of lean amazon com - Sep 04 2022
web feb 13 2019 training within industry by donald dinero explores a crucial piece of a lean initiative that has been overlooked throughout u s industry the training within industry twi program developed by the united states during world war ii has isbn 13 978 1563273070 edition 1st sticky notes not enabled publisher productivity press

training within industry the foundation of lean with cdrom - Mar 10 2023

web training within industry the foundation of lean with cdrom dinero donald amazon com tr kitap

pdf training within industry by donald dinero perlego - Dec 27 2021

web winner of a shingo prize for excellence in manufacturing research training within industry by donald dinero explores a crucial piece of a lean initiative that has been overlooked throughout u s industry the training within industry twi program developed by the united states during world war ii has excellent 2 035 reviews on

training within industry the foundation of lean anna s archive - Apr 30 2022

web english en pdf 5 5mb training within industry the foundation of lean 9780429272899 pdf winner of a shingo prize for excellence in manufacturing research training within industry by donald dinero explores a crucial piece of a lean initiative that has been overlooked throughout u s industry the training within industry twi

training within industry har com edition - Apr 11 2023

web may 27 2005 hardcover 29 99 64 95 13 used from 29 99 14 new from 40 14 winner of a shingo prize for excellence in manufacturing research training within industry by donald dinero explores a crucial piece of a lean initiative that has been overlooked throughout u s industry

training within industry the foundation of lean routledge - Jul 14 2023

web description winner of a shingo prize for excellence in manufacturing research training within industry by donald dinero explores a crucial piece of a lean initiative that has been overlooked throughout u s industry

training within industry the foundation of lean donald - Aug 15 2023

web may 27 2005 training within industry by donald dinero explores a crucial piece of a lean initiative that has been overlooked throughout u s industry the training within industry twi program developed by the united states during world war ii has

training within industry for the 21st century lean enterprise institute - Feb 26 2022

web apr 29 2015 so how about twi 21 training within industry for the 21 st century and this time for the executives first how about a program that does for senior leaders today what twi did for japanese management in the 50s in terms of ramping up everyone s ability to respond to problems on the ground and overall effectiveness

[training within industry the foundation of lean google books](#) - May 12 2023

web may 27 2005 training within industry by donald dinero explores a crucial piece of a lean initiative that has been overlooked throughout u s industry the training within industry twi program

training within industry the foundation of lean worldcat org - Jun 01 2022

web training within industry the foundation of lean donald a dinero cd rom contains the text of the original twi bulletins

issued by the u s government in the 1940s your web browser is not enabled for javascript

training within industry the foundation of lean request pdf - Feb 09 2023

web feb 13 2019 the training within industry twi program standardises training programmes and assists frontline managers in quickly and effectively teach new operations to workers it is sometimes

training within industry the foundation of lean google books - Jun 13 2023

web feb 13 2019 crc press feb 13 2019 business economics 352 pages winner of a shingo prize for excellence in manufacturing research training within industry by donald dinero explores a crucial piece of a lean initiative that has been overlooked throughout u s industry

training within industry the foundation of lean edition 1 - Jul 02 2022

web training within industry by donald dinero explores a crucial piece of a lean initiative that has been overlooked throughout u s industry the training within industry twi program developed by the united states during world war ii has product details

how to use training within industry to build a lean mean - Mar 30 2022

web aug 20 2019 as a process improvement coach with the south carolina manufacturing extension partnership scmep part of the mep national network susan whitehead helps manufacturers implement lean and quality improvement tools to their competitive advantage including training within industry twi she shows companies how to use

training within industry lean book shop lean enterprise academy - Dec 07 2022

web training within industry the foundation of lean winner of a shingo prize for excellence in manufacturing research training within industry by donald dinero explores a crucial piece of a lean initiative that has

training within industry the foundation of lean goodreads - Jan 08 2023

web jul 30 2005 training within industry by donald dinero explores a crucial piece of a lean initiative that has been overlooked throughout u s industry the training within industry twi program developed by the united states during world war ii has been used by toyota for decades

pdf training within industry the foundation of lean 1st edition - Jan 28 2022

web training within industry by donald dinero explores a crucial piece of a lean initiative that has been overlooked throughout u s industry the training within industry twi program developed by the united states during world war ii

training within industry the foundation of lean hardcover - Nov 06 2022

web may 27 2005 training within industry by donald dinero explores a crucial piece of a lean initiative that has been overlooked throughout u s industry the training within industry twi program developed by the united states during world war ii has read more isbn 10 9781563273070

feijóo acusa a sánchez de corrupción por comprar con - Dec 28 2022

web nov 4 2023 el presidente del pp alberto núñez feijóo ha acusado de corrupción a pedro sánchez por cambiar votos por impunidad y con dinero público

consequences of corruption culture - May 09 2021

web the consequences of corruption are often quite devastating for the various sectors of a country in addition to the economic damage it causes corruption is often accompanied

las razones del escándalo de corrupción que tumbó al primer - Jan 05 2021

web foto lusa arménio belo unas concesiones para la explotación de litio en unas minas de portugal y proyectos relacionados con el hidrógeno verde para crear energía

tureng corrupt türkçe İngilizce sözlük - Oct 26 2022

web yolsuzluk yapan kamu görevlisi computer 34 bilgisayar control data corrupt expr denetim verisi bozuk İngilizce türkçe online sözlük tureng kelime ve terimleri çevir ve farklı

corrupción abuso de poder wikipedia la enciclopedia libre - Sep 05 2023

el término corrupción generalmente indica el mal uso por parte de un funcionario de su autoridad y los derechos que se le confían así como la autoridad relacionada con este estado oficial oportunidades conexiones para beneficio personal contrario a la ley y los principios morales la corrupción también se llama soborno de funcionarios el cual es típico de los estados de la

caso maset escándalo de corrupción política ligado al - Oct 14 2021

web 1 hour ago un escándalo de drogas y corrupción política sacude gobierno del derechista luis lacalle pou el cual involucra a destacados funcionarios en una trama vinculada

primer ministro de portugal renuncia al cargo por un escándalo - May 21 2022

web 1 hour ago efe el primer ministro de portugal antónio costa dimitió este martes por la investigación en su contra por posible prevaricación corrupción activa y pasiva y

convention against corruption united nations office on drugs - Jul 03 2023

web the united nations convention against corruption is the only legally binding universal anti corruption instrument the convention s far reaching approach and the mandatory

la corrupción política una revisión de la literatura - Jan 17 2022

web jan 1 2002 en este trabajo se hace una revisión de la literatura más relevante sobre la definición y medición de la corrupción sus causas consecuencias y posibles soluciones

decreto n 32333 mp j reglamento a la ley n 8422 ley contra - Dec 04 2020

web el presente decreto aprueba el reglamento a la ley contra la corrupción y el enriquecimiento ilícito en la función pública

que se aplican a los funcionarios de la

global corruption barometer transparency org - Aug 04 2023

web you have an opinion and that's what we want the world to hear since its debut in 2003 the global corruption barometer has surveyed the experiences of everyday people

costa el socialista invencible que sobrevivió a todo menos a la - Aug 24 2022

web 1 hour ago Última actualización 07 11 2023 17 33 antonio costa parecía invencible en 2022 consiguió una histórica mayoría absoluta que permitía al partido socialista de

corruption perceptions index 2021 publications - May 01 2023

web jan 23 2020 ar 25 january 2022 two years into the devastating covid 19 pandemic this year's corruption perceptions index cpi reveals that corruption levels have

ley general del sistema nacional anticorrupción - Aug 12 2021

web la presente ley general del sistema nacional anticorrupción sna tiene por objeto establecer las bases de coordinación entre la federación las entidades federativas los

corruption v2 25 türkçe apk pc İndir adem yurt - Apr 07 2021

web mar 20 2021 shards of the past v0 2 0 türkçe apk pc İndir away from home ep 1 20 modlu türkçe apk pc İndir corruption v2 25 türkçe apk pc İndir hakkında

el primer ministro de portugal antónio costa dimite tras ser - Nov 26 2022

web 3 hours ago reuters el primer ministro de portugal antónio costa dimitió este martes por la investigación en su contra por posible prevaricación corrupción activa y pasiva y

antónio costa primer ministro de portugal dimite al ser - Mar 07 2021

web 3 hours ago el primer ministro de portugal antónio costa ha dimitido este martes después de que se haya hecho pública la investigación abierta contra él por un caso de

antónio costa dimite como primer ministro de portugal tras verse - Jul 23 2022

web 7 hours ago antónio costa primer ministro de portugal desde 2015 ha dimitido este martes tras verse envuelto en una investigación relacionada con tráfico de influencias

antónio costa dimite como primer ministro de portugal tras ser - Feb 03 2021

web 3 hours ago el primer ministro de portugal antónio costa ha dimitido del cargo tras ser investigado por corrupción y prevaricación según recoge la agencia reuters

antonio costa el escándalo de corrupción que llevó a la bbc - Sep 24 2022

web nov 7 2023 el primer ministro portugués antónio costa presentó su dimisión este martes en medio de un escándalo por

presunta corrupción en el que está involucrado su gobierno

la corrupción by international social justice commission the - Apr 19 2022

web oct 18 2020 el oficial julio septiembre 2019 35 reflexión personal del coronel daniel raju dasari sobre la corrupción en el sur de asia 36 el oficial julio septiembre 2019

ley contra la corrupci n informea - Nov 14 2021

web la contralor a general de la rep blica tendr los siguientes deberes y atribuciones en materia de corrupci n 1 recibir admitir estudiar cotejar verificar ordenar y archivar

decreto ejecutivo n 215 crea la comisi n ciudadana contra la - Jul 11 2021

web el presente decreto crea la comisi n ciudadana contra la corrupci n como una expresi n de la participaci n ciudadana para el combate contra la corrupci n bajo la coordinaci n

ley n 977 que aprueba la convenci n interamericana contra - Jun 09 2021

web la presente ley aprueba la convenci n interamericana contra la corrupci n pasando esta a formar parte del ordenamiento legal interno conforme lo dispone el art culo 141 de la

decreto supremo n 2065 reglamento del sistema integrado de - Feb 27 2023

web el presente decreto supremo aprueba el reglamento del sistema integrado de informaci n anticorrupti n y de recuperaci n de bienes del estado siiarbe una unidad

tureng corrupted türkçe İngilizce sözlük - Mar 19 2022

web ccb corrupted expr ccb bozuk star wars 9 star wars corrupted fields i yozlaştırılmış alanlar İngilizce türkçe online sözlük tureng kelime ve terimleri çevir ve farklı

ley n 24 759 aprueba la convenci n interamericana contra la - Sep 12 2021

web jan 13 1997 la presente ley aprueba la convenci n interamericana contra la corrupci n suscrita el 29 de marzo de 1996 en caracas venezuela en la tercera sesi n plenaria de

corrupci n open library - Dec 16 2021

web corrupci n 1 work search for books with subject corrupci n search alex saab gerardo reyes not in library publishing history this is a chart to show the publishing history of

2022 corruption perceptions index explore the - Mar 31 2023

web jan 31 2023 a world urgently in need of action the 2022 corruption perceptions index cpi shows that most countries are failing to stop corruption the cpi ranks 180

corrupción in english cambridge dictionary - Jun 02 2023

web corrupción translate corruption perversion graft corruption taint graft learn more in the cambridge spanish english

dictionary

tureng corruption türkçe İngilizce sözlük - Oct 06 2023

web social corruption i sosyal çürüme İngilizce türkçe online sözlük tureng kelime ve terimleri çevir ve farklı aksanlarda sesli dinleme corruption yolsuzluk political corruption siyasal

corrupt officials an essential link in human trafficking - Jun 21 2022

web aug 1 2019 projects discussions library articles corrupt officials an essential link in human trafficking this site is managed by the european commission s directorate

nadie repudia la mega corrupción k la nacion - Jan 29 2023

web nadie o muy pocos argentinos repudiaron en las urnas y en la práctica una corrupción que ensucia a gran parte del peronismo kirchnerista y massista sin embargo sergio massa

corrupci n vice - Feb 15 2022

web input for searching articles videos shows news tech rec room life horoscopes entertainment games music health money drugs identity

introduction chapter 1 demography and evolutionary ecology of hadza - Jul 14 2023

web book demography and evolutionary ecology of hadza hunter gatherers online publication 05 january 2016 chapter doi doi org 10 1017 cbo9781107707030 002

demography and evolutionary ecology of hadza hunt - Feb 26 2022

web demography and evolutionary ecology of hadza hunt right here we have countless book demography and evolutionary ecology of hadza hunt and collections to check out we additionally pay for variant types and with type of the books to browse the standard book fiction history novel scientific research as competently as various new sorts of

demography and evolutionary ecology of hadza hunt pdf - Apr 30 2022

web demography and evolutionary ecology of hadza hunt the evolution of senescence in the tree of life evolutionary perspectives on environmental 4 demography and evolutionary ecology of hadza hunt 2019 11 28 understanding the roles of evolutionary processes such as mutation genetic drift gene flow and natural

demography and evolutionary ecology of hadza hunt monograf - Jan 28 2022

web evolutionary ecology of hadza hunt is additionally useful you have remained in right site to begin getting this info acquire the demography and evolutionary ecology of hadza hunt link that we come up with the money for here and check out the link you could purchase guide demography and evolutionary ecology of hadza hunt or get it as

demography and evolutionary ecology of hadza hunter - Aug 03 2022

web about us we unlock the potential of millions of people worldwide our assessments publications and research spread

knowledge spark enquiry and aid understanding around the world

review of demography and evolutionary ecology of hadza - Apr 11 2023

web dec 13 2016 borgerhoff mulder m review of demography and evolutionary ecology of hadza hunter gatherers by

nicholas blurton jones hum nat 28 117 127 2017 doi org 10 1007 s12110 016 9280 9 download citation published 13

december 2016 issue date march 2017 doi doi org 10 1007 s12110 016 9280 9

demography and evolutionary ecology of hadza hunter gatherers - Aug 15 2023

web archaeology shows 130 000 years of hunting and gathering in their land but hadza are rapidly losing areas vital to their

way of life this book offers a unique opportunity to capture a disappearing lifestyle blurton jones interweaves data from

ecology demography and evolutionary ecology to present a comprehensive analysis of the hadza foragers

demography and evolutionary ecology of hadza hunt - Mar 30 2022

web acquire the demography and evolutionary ecology of hadza hunt colleague that we pay for here and check out the link

you could purchase guide demography and evolutionary ecology of hadza hunt or get it as soon as feasible you could speedily

download this demography and evolutionary ecology of hadza hunt after getting deal

mortality chapter 8 demography and evolutionary ecology of hadza - Jan 08 2023

web hadza demography a normal human demography sustained by hunting and gathering in sub saharan savanna

fertility chapter 7 demography and evolutionary ecology of hadza - Dec 27 2021

web jan 5 2016 book demography and evolutionary ecology of hadza hunter gatherers online publication 05 january 2016

chapter doi doi org 10 1017 cbo9781107707030 008

marriage chapter 15 demography and evolutionary ecology of hadza - Jun 01 2022

web jan 5 2016 demography and evolutionary ecology of hadza hunter gatherers marriage 15 marriage from part ii applying

the demographic data to interpreting hadza behavior and biology published online by cambridge university press 05 january

2016 nicholas blurton jones chapter get access cite summary haine the sun was married

demography and evolutionary ecology of hadza hunter gatherers - Mar 10 2023

web jan 21 2016 archaeology shows 130 000 years of hunting and gathering in their land but hadza are rapidly losing areas

vital to their way of life this book offers a unique opportunity to capture a

demography and evolutionary ecology of hadza hunter gatherers - Dec 07 2022

web jun 25 2020 archaeology shows 130 000 years of hunting and gathering in their land but hadza are rapidly losing areas

vital to their way of life this book offers a unique opportunity to capture a

demography and evolutionary ecology of hadza hunter gatherers - Jun 13 2023

web hunting and gathering in their land but hadza are rapidly losing areas vital to their way of life this book offers a unique

opportunity to capture a disappearing lifestyle blurton jones interweaves data from ecology demography and evolutionary ecology to present a comprehensive analysis of the hadza foragers discussion

references demography and evolutionary ecology of hadza hunter - Nov 06 2022

web demography and evolutionary ecology of hadza hunter gatherers pp 461 485 doi doi org 10 1017 cbo9781107707030 024 opens in a new window publisher cambridge university press

part i demography - Oct 05 2022

web 978 1 107 06982 4 demography and evolutionary ecology of hadza hunter gatherers nicholas blurton jones excerpt more information hunting and gathering in a sub saharan savanna environment promote their reproductive success rs this should be useful to anyone interested in the evolution of

demography and evolutionary ecology of hadza hunter gatherers - Jul 02 2022

web mar 19 2023 demography and evolutionary ecology of hadza hunter gatherers by nicholas blurton jones 2020 university of cambridge esol examinations cambridge university press edition in english

hadza demography a normal human demography sustained by hunting - May 12 2023

web demography and evolutionary ecology of hadza hunter gatherers january 2016 skip to main content accessibility help we use cookies to distinguish you from other users and to provide you with a better experience on our websites close this message to accept cookies or find out how to manage your cookie settings

demography and evolutionary ecology of hadza hunter gatherers - Sep 04 2022

web demography and evolutionary ecology of hadza hunter gatherers nicholas blurton jones professor emeritus university of california los angeles pages cm cambridge studies in biological and evolutionary anthropology 71 includes bibliographical references and index isbn 978 1 107 06982 4 hardback 1

demography and evolutionary ecology of hadza hunter gatherers - Feb 09 2023

web archaeology shows 130 000 years of hunting and gathering in their land but hadza are rapidly losing areas vital to their way of life this book offers a unique opportunity to capture a disappearing lifestyle blurton jones interweaves data from ecology demography and evolutionary ecology to present a comprehensive analysis of the hadza foragers