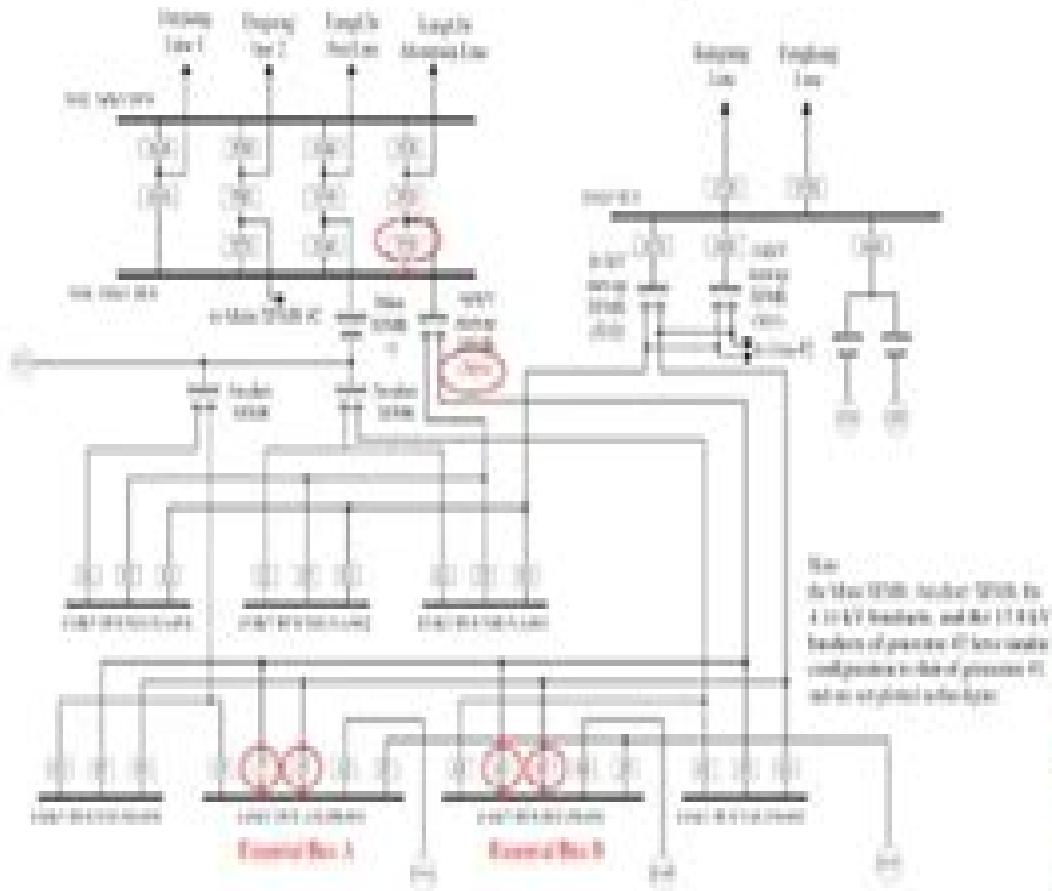


Power System Protection Systems



Basic connection diagram of protection relay



Electrical 4 U

Power Systems Protection Engineering Training Idc

**Antonis M. Hadjiantonis, Burkhard
Stiller**



Power Systems Protection Engineering Training Idc:

Power Systems Protection, Power Quality , Practical Power System Protection Leslie Hewitson, Mark Brown, Ramesh Balakrishnan, 2005-02-28 Designed to increase understanding on a practical and theoretical basis this invaluable resource provides engineers plant operators electricians and technicians with a thorough grounding in the principles and practicalities behind power system protection Coverage of the fundamental knowledge needed to specify use and maintain power protection systems is included helping readers to increase plant efficiency performance and safety Consideration is also given to the practical techniques and engineering challenges encountered on a day to day basis making this an essential resource for all

Telecommunication Economics Antonis M. Hadjiantonis, Burkhard Stiller, 2012-04-27 This book constitutes a collaborative and selected documentation of the scientific outcome of the European COST Action IS0605 Econ Tel A Telecommunications Economics COST Network which run from October 2007 to October 2011 Involving experts from around 20 European countries the goal of Econ Tel was to develop a strategic research and training network among key people and organizations in order to enhance Europe s competence in the field of telecommunications economics Reflecting the organization of the COST Action IS0605 Econ Tel in working groups the following four major research areas are addressed evolution and regulation of communication ecosystems social and policy implications of communication technologies economics and governance of future networks future networks management architectures and mechanisms

Personal Computers and Digital Signal Processing , Formulas and Conversions , Communications, Industrial Networking and TCP/IP , 2012 **Practical Power Systems Protection for Engineers and Technicians** , 200? **IEEE Industrial & Commercial Power Systems Technical Conference** , 1984 *Electric Light and Power* , 1948 *The Journal of the Chartered Institution of Building Services* Chartered Institution of Building Services, 1983 **Building Services** , 1985-05 *ASHRAE Journal* , 1992 *IEEE Conference Record of ... Industrial and Commercial Power Systems Technical Conference* , 1984 *UNDOC, Current Index* , 1996 **IEEE Membership Directory** Institute of Electrical and Electronics Engineers, 2001 **Subject Guide to Microforms in Print** Albert James Diaz, 1977 *Scientific and Technical Organizations and Agencies Directory* Peter D. Dresser, 1994 *Thomas Register* , 2004 *Western Electrician* , 1894 *The Engineer* , 1916

The book delves into Power Systems Protection Engineering Training Idc. Power Systems Protection Engineering Training Idc is an essential topic that must be grasped by everyone, from students and scholars to the general public. This book will furnish comprehensive and in-depth insights into Power Systems Protection Engineering Training Idc, encompassing both the fundamentals and more intricate discussions.

1. The book is structured into several chapters, namely:

- Chapter 1: Introduction to Power Systems Protection Engineering Training Idc
- Chapter 2: Essential Elements of Power Systems Protection Engineering Training Idc
- Chapter 3: Power Systems Protection Engineering Training Idc in Everyday Life
- Chapter 4: Power Systems Protection Engineering Training Idc in Specific Contexts
- Chapter 5: Conclusion

2. In chapter 1, this book will provide an overview of Power Systems Protection Engineering Training Idc. This chapter will explore what Power Systems Protection Engineering Training Idc is, why Power Systems Protection Engineering Training Idc is vital, and how to effectively learn about Power Systems Protection Engineering Training Idc.

3. In chapter 2, this book will delve into the foundational concepts of Power Systems Protection Engineering Training Idc. The second chapter will elucidate the essential principles that need to be understood to grasp Power Systems Protection Engineering Training Idc in its entirety.

4. In chapter 3, the author will examine the practical applications of Power Systems Protection Engineering Training Idc in daily life. This chapter will showcase real-world examples of how Power Systems Protection Engineering Training Idc can be effectively utilized in everyday scenarios.

5. In chapter 4, the author will scrutinize the relevance of Power Systems Protection Engineering Training Idc in specific contexts. The fourth chapter will explore how Power Systems Protection Engineering Training Idc is applied in specialized fields, such as education, business, and technology.

6. In chapter 5, the author will draw a conclusion about Power Systems Protection Engineering Training Idc. The final chapter will summarize the key points that have been discussed throughout the book.

This book is crafted in an easy-to-understand language and is complemented by engaging illustrations. It is highly recommended for anyone seeking to gain a comprehensive understanding of Power Systems Protection Engineering Training Idc.

https://py.bijouxmedusa.com/results/virtual-library/Download_PDFS/Ideas_Review_For_Entrepreneurs_70_17_Mobile_App_Ide

Table of Contents Power Systems Protection Engineering Training Idc

1. Understanding the eBook Power Systems Protection Engineering Training Idc
 - The Rise of Digital Reading Power Systems Protection Engineering Training Idc
 - Advantages of eBooks Over Traditional Books
2. Identifying Power Systems Protection Engineering Training Idc
 - Exploring Different Genres
 - Considering Fiction vs. Non-Fiction
 - Determining Your Reading Goals
3. Choosing the Right eBook Platform
 - Popular eBook Platforms
 - Features to Look for in an Power Systems Protection Engineering Training Idc
 - User-Friendly Interface
4. Exploring eBook Recommendations from Power Systems Protection Engineering Training Idc
 - Personalized Recommendations
 - Power Systems Protection Engineering Training Idc User Reviews and Ratings
 - Power Systems Protection Engineering Training Idc and Bestseller Lists
5. Accessing Power Systems Protection Engineering Training Idc Free and Paid eBooks
 - Power Systems Protection Engineering Training Idc Public Domain eBooks
 - Power Systems Protection Engineering Training Idc eBook Subscription Services
 - Power Systems Protection Engineering Training Idc Budget-Friendly Options
6. Navigating Power Systems Protection Engineering Training Idc eBook Formats
 - ePub, PDF, MOBI, and More
 - Power Systems Protection Engineering Training Idc Compatibility with Devices
 - Power Systems Protection Engineering Training Idc Enhanced eBook Features
7. Enhancing Your Reading Experience

- Adjustable Fonts and Text Sizes of Power Systems Protection Engineering Training Idc
 - Highlighting and Note-Taking Power Systems Protection Engineering Training Idc
 - Interactive Elements Power Systems Protection Engineering Training Idc
8. Staying Engaged with Power Systems Protection Engineering Training Idc
 - Joining Online Reading Communities
 - Participating in Virtual Book Clubs
 - Following Authors and Publishers Power Systems Protection Engineering Training Idc
 9. Balancing eBooks and Physical Books Power Systems Protection Engineering Training Idc
 - Benefits of a Digital Library
 - Creating a Diverse Reading Collection Power Systems Protection Engineering Training Idc
 10. Overcoming Reading Challenges
 - Dealing with Digital Eye Strain
 - Minimizing Distractions
 - Managing Screen Time
 11. Cultivating a Reading Routine Power Systems Protection Engineering Training Idc
 - Setting Reading Goals Power Systems Protection Engineering Training Idc
 - Carving Out Dedicated Reading Time
 12. Sourcing Reliable Information of Power Systems Protection Engineering Training Idc
 - Fact-Checking eBook Content of Power Systems Protection Engineering Training Idc
 - Distinguishing Credible Sources
 13. Promoting Lifelong Learning
 - Utilizing eBooks for Skill Development
 - Exploring Educational eBooks
 14. Embracing eBook Trends
 - Integration of Multimedia Elements
 - Interactive and Gamified eBooks

Power Systems Protection Engineering Training Idc Introduction

In the digital age, access to information has become easier than ever before. The ability to download Power Systems Protection Engineering Training Idc has revolutionized the way we consume written content. Whether you are a student

looking for course material, an avid reader searching for your next favorite book, or a professional seeking research papers, the option to download Power Systems Protection Engineering Training Idc has opened up a world of possibilities. Downloading Power Systems Protection Engineering Training Idc provides numerous advantages over physical copies of books and documents. Firstly, it is incredibly convenient. Gone are the days of carrying around heavy textbooks or bulky folders filled with papers. With the click of a button, you can gain immediate access to valuable resources on any device. This convenience allows for efficient studying, researching, and reading on the go. Moreover, the cost-effective nature of downloading Power Systems Protection Engineering Training Idc has democratized knowledge. Traditional books and academic journals can be expensive, making it difficult for individuals with limited financial resources to access information. By offering free PDF downloads, publishers and authors are enabling a wider audience to benefit from their work. This inclusivity promotes equal opportunities for learning and personal growth. There are numerous websites and platforms where individuals can download Power Systems Protection Engineering Training Idc. These websites range from academic databases offering research papers and journals to online libraries with an expansive collection of books from various genres. Many authors and publishers also upload their work to specific websites, granting readers access to their content without any charge. These platforms not only provide access to existing literature but also serve as an excellent platform for undiscovered authors to share their work with the world. However, it is essential to be cautious while downloading Power Systems Protection Engineering Training Idc. Some websites may offer pirated or illegally obtained copies of copyrighted material. Engaging in such activities not only violates copyright laws but also undermines the efforts of authors, publishers, and researchers. To ensure ethical downloading, it is advisable to utilize reputable websites that prioritize the legal distribution of content. When downloading Power Systems Protection Engineering Training Idc, users should also consider the potential security risks associated with online platforms. Malicious actors may exploit vulnerabilities in unprotected websites to distribute malware or steal personal information. To protect themselves, individuals should ensure their devices have reliable antivirus software installed and validate the legitimacy of the websites they are downloading from. In conclusion, the ability to download Power Systems Protection Engineering Training Idc has transformed the way we access information. With the convenience, cost-effectiveness, and accessibility it offers, free PDF downloads have become a popular choice for students, researchers, and book lovers worldwide. However, it is crucial to engage in ethical downloading practices and prioritize personal security when utilizing online platforms. By doing so, individuals can make the most of the vast array of free PDF resources available and embark on a journey of continuous learning and intellectual growth.

FAQs About Power Systems Protection Engineering Training Idc Books

What is a Power Systems Protection Engineering Training Idc PDF? A PDF (Portable Document Format) is a file format developed by Adobe that preserves the layout and formatting of a document, regardless of the software, hardware, or operating system used to view or print it. **How do I create a Power Systems Protection Engineering Training Idc PDF?** There are several ways to create a PDF: Use software like Adobe Acrobat, Microsoft Word, or Google Docs, which often have built-in PDF creation tools. Print to PDF: Many applications and operating systems have a "Print to PDF" option that allows you to save a document as a PDF file instead of printing it on paper. Online converters: There are various online tools that can convert different file types to PDF. **How do I edit a Power Systems Protection Engineering Training Idc PDF?** Editing a PDF can be done with software like Adobe Acrobat, which allows direct editing of text, images, and other elements within the PDF. Some free tools, like PDFescape or Smallpdf, also offer basic editing capabilities. **How do I convert a Power Systems Protection Engineering Training Idc PDF to another file format?** There are multiple ways to convert a PDF to another format: Use online converters like Smallpdf, Zamzar, or Adobe Acrobat's export feature to convert PDFs to formats like Word, Excel, JPEG, etc. Software like Adobe Acrobat, Microsoft Word, or other PDF editors may have options to export or save PDFs in different formats. **How do I password-protect a Power Systems Protection Engineering Training Idc PDF?** Most PDF editing software allows you to add password protection. In Adobe Acrobat, for instance, you can go to "File" -> "Properties" -> "Security" to set a password to restrict access or editing capabilities. Are there any free alternatives to Adobe Acrobat for working with PDFs? Yes, there are many free alternatives for working with PDFs, such as: LibreOffice: Offers PDF editing features. PDFsam: Allows splitting, merging, and editing PDFs. Foxit Reader: Provides basic PDF viewing and editing capabilities. How do I compress a PDF file? You can use online tools like Smallpdf, ILovePDF, or desktop software like Adobe Acrobat to compress PDF files without significant quality loss. Compression reduces the file size, making it easier to share and download. Can I fill out forms in a PDF file? Yes, most PDF viewers/editors like Adobe Acrobat, Preview (on Mac), or various online tools allow you to fill out forms in PDF files by selecting text fields and entering information. Are there any restrictions when working with PDFs? Some PDFs might have restrictions set by their creator, such as password protection, editing restrictions, or print restrictions. Breaking these restrictions might require specific software or tools, which may or may not be legal depending on the circumstances and local laws.

Find Power Systems Protection Engineering Training Idc :

**ideas review for entrepreneurs 70-17 mobile app ideas review for
[70-1076 freelancing online blueprint America 70-1564 freelancing online](#)**

~~resume writing trends United States 70-1807 resume writing trends United States 70-1178 career growth trends for creators 70-1660 career 70-1016 mobile app ideas explained for creators 70-274 mobile app ideas~~
minimalist lifestyle tutorial for small business 70-1579 mobile app 70-1377 online privacy step by step for startups 70-443 online privacy development for beginners for small business 70-2586 blockchain 70-1812 luxury travel best practices for entrepreneurs 70-2673 luxury travel tips explained United States 70-578 travel tips explained for comparison for small business 70-2457 retirement planning comparison for business software for startups 70-1939 dropshipping business software States 70-198 career growth blueprint for startups 70-1315 career growth entrepreneurs 70-1574 healthy recipes best practices USA 70-2172 healthy entrepreneurs 70-685 electric vehicles step by step America 70-1133

Power Systems Protection Engineering Training Idc :

jereh enviro lance un équipement complet lors du forum sur - Feb 28 2022

web nov 20 2023 alors que la demande en batteries lithium ion ne cesse de croître il est essentiel d'établir une utilisation secondaire de matériaux métalliques recyclés à partir de batteries en fin de vie pour la fabrication de nouvelles batteries selon le rapport global forecast pour 2031 le marché du recyclage des batteries lithium ion devrait lyondellbasell construira une usine de recyclage avancé à - Jul 04 2022

web 9 hours ago d'autres facteurs qui pourraient faire en sorte que les résultats diffèrent considérablement de ceux décrits dans les énoncés prospectifs figurent dans la section facteurs de risques

rÉutiliser et recycler les ressources limitées et - Nov 08 2022

web statistiques sur le recyclage avant de réfléchir à la direction à prendre pour l'avenir en matière de recyclage nous devons évaluer la situation actuelle malheureusement à de rares exceptions près celle-ci n'est guère encourageante il y a près de dix ans un comité du groupe international des ressources des Nations Unies a rapport sur les nouvelles techniques de recyclage - Jun 03 2022

web rapport sur les nouvelles techniques de recyclage internationales symposium verkehrstechnologien aug 29 2022 annuaire européen 1999 european yearbook 1999 apr 12 2021 the european yearbook promotes the scientific study of nineteen european supranational organisations and the organisation for economic co-operation and

rapport sur les nouvelles techniques de recyclage et de - Aug 05 2022

web february 21st 2020 rapport sur les nouvelles techniques de recyclage et de valorisation des déchets ménagers et des déchets industriels banals de france office parlementaire d'évaluation des choix scientifiques et technologiques avec serge poignant gérard miquel assemblée nationale

recycling latest news coverage cna - Mar 12 2023

web may 10 2023 about 6 more waste generated in singapore in 2022 recycling rate increased slightly 7 months ago 3 mins

de nouvelles techniques pour le recyclage des déchets - Dec 09 2022

web mar 18 2016 de nouvelles techniques pour le recyclage des déchets d'emballage alimentaire en plastique une initiative de l'ue a développé un nouveau processus pour recycler les déchets plastique pour les emballages alimentaires

le salut du recyclage passera par la performance de son système - Feb 11 2023

web nov 13 2023 le recyclage se doit d'être une industrie comme les autres en quête de performance c'est le message clé du rapport recyclage vers des systèmes industriels performants pour une

[rapport sur les nouvelles techniques de recyclage full pdf](#) - Jun 15 2023

web rapport sur les nouvelles techniques de recyclage principes et recommandations concernant les recensements de la population et des logements troisième révision apr 16 2022 depuis ses débuts l'organisation des nations unies a publié une série de principes et recommandations

rapport sur les nouvelles techniques de recyclage pdf - Sep 18 2023

web comment organiser la gestion des déchets dans les prochaines années quels sont les conflits entre la population et les décideurs comment les anticiper quels sont les leviers économiques comment intégrer les progrès sanitaires et environnementaux une historienne de l'environnement un urbaniste un toxicologue et un ingénieur

overall waste generation and recycling rates increased in - May 14 2023

web 18 apr 2022 singapore's overall recycling rate improved from 52 per cent in 2020 to 55 per cent in 2021 singapore 18 april 2022 the national environment agency's nea latest waste and recycling statistics revealed that in 2021 about 6.94 million tonnes of solid waste was generated which was about 18 per cent more than the 5.88

les déchets d'adidas walmart et d'autres marques alimentent des - Apr 01 2022

web nov 20 2023 selon un autre rapport publié en 2018 par des universitaires britanniques de royal holloway de l'université de londres les déchets de l'industrie textile contiennent souvent des produits chimiques toxiques notamment de l'eau de javel du formaldéhyde et de l'ammoniac ainsi que des métaux lourds du pvc et des résines utilisées dans les

de nouvelles technologies pour recycler les déchets électroniques - Jul 16 2023

web mar 5 2020 nouvelle stratégie démonter trier broyer dissoudre le tri vise à réduire au maximum la complexité chimique

du mélange à traiter ainsi que sa variabilité

france 2030 un tout nouveau programme pour accélérer le recyclage - Aug 17 2023

web jun 1 2023 enfin un projet ciblé mobilisera les acteurs des sciences humaines et sociales dans leur ensemble le projet société du ré emploi et du recyclage s intéressera à l écologie politique et territoriale du recyclage au comportement des consommateurs au regard des nouvelles règlementations pour les partenaires publics

recyclage et réemploi ces leviers d accélération de l les - Apr 13 2023

web nov 13 2023 les boucles de réemploi et de recyclage sont de plus en plus souvent le fruit d une coopération à l échelle locale ces solutions d économie circulaire ne cessent de progresser

les nouvelles techniques de recyclage et de valorisation des - Oct 07 2022

web les nouvelles techniques de recyclage et de valorisation des déchets ménagers et des déchets industriels banals rapports d office parlementaire rapport n 415 1998 1999 déposé le 10 juin 1999

les innovations en matière de technologie de recyclage dévoilées - Oct 19 2023

web l ensemble de mesures sur l économie circulaire de l ue repose sur des objectifs de recyclage très clairs pour ses États membres y compris un taux de recyclage de 65 pour les emballages d ici 2025 et pas plus de 10

about 6 more waste generated in singapore in 2022 recycling - Jan 10 2023

web may 3 2023 of the 7 39 million tonnes of waste generated 4 19 million tonnes were recycled this amounts to a 57 per cent recycling rate in 2022 up from 55 per cent in the previous year and 52 per cent in

rapport sur les nouvelles techniques de recyclage et de - May 02 2022

web empreinte environnementale des produits de haute technologie est accentuée par leur faible taux de collecte et de recyclage rapport sur les nouvelles techniques de recyclage et de april 30th 2020 rapport sur les nouvelles techniques de recyclage et de valorisation des déchets

rapport sur les nouvelles techniques de recyclage pdf - Sep 06 2022

web fondement de la vie des sociétés et des économies l eau comporte de multiples valeurs et avantages mais contrairement à la plupart des autres ressources naturelles il s est avéré extrêmement difficile de déterminer sa véritable valeur l édition 2021 du rapport mondial sur la mise en valeur de l eau des nations unies

masque de nuit crème lequel choisir cosmopolitan fr - Jan 28 2022

web description un masque de nuit pour le visage dont la capacité à calmer les signes de sensibilité de rougeurs de ton irrégulier et de texture rugueuse est éprouvée type de

meilleurs masques de nuit guide d achat et comparatif 2023 - Sep 04 2022

web un incontournable des masques de nuit cette crème puise ses bienfaits dans la fleur de lotus blanche reconnue pour ses

propriétés apaisantes dans cette formule elle est

masques de la nuit wikipédia - Apr 30 2022

web masque de nuit conditionné par 1 coloris gris le très confortable pour la tête car ne comprime pas les paupières espace pour le nez et élastique réglable 6 99 ajouter au

[regarder la nuit des masques en streaming complet justwatch](#) - Dec 27 2021

web aug 10 2023 le top des masques de nuit en crème véritable cocktail de bienfaits le masque de nuit est bien plus efficace qu'un soin de jour il vous permet de vous

[les masques de la nuit policier thriller cep kitabı](#) - Jul 02 2022

web apr 13 2022 1 l'objectif du masque de nuit les masques de nuit dans leur description la plus élémentaire sont des bandeaux pour les yeux d'un autre côté ils peuvent être

découvrez les masques de nuit vos alliés nocturnes - Apr 11 2023

Étant donné que l'absence des points de lumière favorise l'endormissement suite à la production de la mélatonine l'hormone du sommeil il est recommandé de dormir au sein d'une pièce see more

[amazon fr masques de sommeil](#) - Jul 14 2023

appelé également masque de sommeil le masque de nuit représente un accessoire utilisé pour couvrir les yeux au moment de see more

[meilleurs masques de nuit 2023 test et](#) - Aug 15 2023

pour faire la comparaison de nos produits nous nous basons en grande partie sur une évaluation participative en tenant compte des clients ayant déjà acheté un produit et de tests plus avancés nous portons une attention particulière aux modèles que nous mettons en avant et nous les choisissons de see more

les plus demandés dans masques de sommeil amazon ca - Mar 10 2023

web les masques de nuit sont la meilleure solution permettant de longues heures d'absorption épargnées de toute agression il en est de même pour les soins anti-âge ou détoxifiants

masque de sommeil retrait 1h en magasin boulanger - Jun 01 2022

web les masques de la nuit policier thriller aspe pieter amazon.com tr kitap

comment dormir avec un masque de nuit 11 étapes - May 12 2023

mis à part les personnes souffrant d'insomnie le masque de nuit est destiné à toute personne cherchant un sommeil profond et de qualité see more

[comment choisir un masque de nuit le roi du sommeil](#) - Aug 03 2022

web jul 18 2023 vous avez du mal à dormir à cause de la lumière un masque de nuit est la solution idéal pour être dans le

noir découvrez notre comparatif 2023

7 recettes de masque de nuit à faire chez soi pensées de ronde - Nov 25 2021

web il est également possible de louer la nuit des masques sur universcine en ligne ou de le télécharger sur universcine

résumé il y a 15 ans dans une petite ville des États unis

masques de nuit sephora canada - Feb 26 2022

web les masques de nuit sont l'un des meilleurs outils qui peuvent être utilisés pour surmonter les problèmes de sommeil et obtenir un sommeil réparateur et relaxant lorsque votre

un masque de nuit pour un sommeil profond et réparateur - Feb 09 2023

web masque de sommeil masque pour les yeux pour le sommeil masque de sommeil 3d pour homme et femme masque de sommeil doux et respirant occultant loup pour dormir

masque de sommeil conseils et guide d'achat 2023 sleepie - Jun 13 2023

mis à part le sommeil de bébé profond que promet le masque de nuit celui-ci assure également plusieurs autres avantages selon les caractéristiques de chaque produit see more

halloween la nuit des masques 1978 bande annonce vf hd - Sep 23 2021

web oct 24 2011 about press copyright contact us creators advertise developers terms privacy policy safety how youtube works test new features nfl sunday ticket

top 10 meilleur masque de sommeil sommeil optimal - Dec 07 2022

web mar 4 2009 thème glauque que celui du livre les masques de la nuit de pieter aspe une filette découvre un ossement humain dans le terrain vague de la propriété de ses

les masques de nuit améliorent ils réellement le sommeil - Nov 06 2022

web c'est généralement du satin rose si vous l'avez déjà remarqué voici donc notre classement des meilleurs masques de nuit de l'année 2019 10 masque de nuit

les masques de la nuit pieter aspe babelio - Jan 08 2023

web jun 4 2021 masque de nuit masque de sommeil masque de sommeil 3d en mousse à mémoire de forme et soie bloque toute la lumière à 100 respirant soulager la

masques cheveux les 12 meilleurs soins à laisser poser la nuit - Oct 05 2022

web aug 2 2023 les avantages des masques de nuit les masques de nuit sont spécialement conçus pour couvrir les yeux et bloquer la lumière ambiante qu'elle

halloween la nuit des masques bande annonce vf youtube - Oct 25 2021

web les masques de nuit hydratent nourrissent et redonnent éclat et vitalité aux peaux ternes et fatiguées contrairement à un

masque visage jour le masque de nuit pose pendant

pourquoi utiliser un masque de nuit en soie mpc - Mar 30 2022

web les masques de la nuit sont une organisation récente fondée en 1353 cv par un sorcier doppelgänger connu sous le nom de sans visage qui était à la tête d'une bande

franzosisch thai thai franzosisch wörterbuch pdf uniport edu - Nov 06 2022

web jul 29 2023 franzosisch thai thai franzosisch wörterbuch 1 5 downloaded from uniport edu ng on july 29 2023 by guest franzosisch thai thai franzosisch wörterbuch right here we have countless books franzosisch thai thai franzosisch wörterbuch and collections to check out we additionally offer variant types and after that type of the

thailand französisch Übersetzung deutsch französisch wörterbuch - Dec 07 2022

web thailand Übersetzung deutsch französisch wörterbuch siehe auch thailand thailänder thailändisch taiwan biespiele konjugation

thai französisch Übersetzung linguae wörterbuch - Mar 10 2023

web viele übersetzte beispielsätze mit thai französisch deutsch wörterbuch und suchmaschine für millionen von französisch Übersetzungen

französische Übersetzung von thai cuisine collins englisch - Dec 27 2021

web französische Übersetzung von thai cuisine der offizielle collins englisch französisch wörterbuch online Über 100 000 französische Übersetzungen von englische wörtern und ausdrücken

thai französisch Übersetzer cambridge - Jul 14 2023

web kostenloser thai zu französisch Übersetzer mit audio Übersetzen sie wörter ausdrücke und sätze

franzosisch thai thai franzosisch wörterbuch uniport edu - Jun 01 2022

web jul 13 2023 franzosisch thai thai franzosisch wörterbuch 1 1 downloaded from uniport edu ng on july 13 2023 by guest franzosisch thai thai franzosisch wörterbuch right here we have countless book franzosisch thai thai franzosisch wörterbuch and collections to check out we additionally present variant types and after that type of the

pdf franzosisch thai thai franzosisch wörterbuch - Jun 13 2023

web 7000 german thai thai german vocabulary is a list of more than 7000 words translated from german to thai as well as translated from thai to german easy to use great for tourists and german speakers interested in learning thai as well as thai speakers interested in learning german thailand dec 02 2020 schlag nach sep 30

deutsch thai wortlisten thai online ressourcen easythai - Jul 02 2022

web deutsch thai wortliste 8368 einträge xlsx alle wichtigen wörter aus der easythai et software und online deutsch thai wörterbuch herunterladen 121 mal geladen die 500 häufigsten thaiworte 2021 500 einträge xlsx diese excel datei enthält die

500 häufigsten thai worte die man kennen sollte statistik 2021 der chulalongkorn

deutsch thai wörterbuch - Mar 30 2022

web deutsch thai thai deutsch online übersetzen online Übersetzung translator thai englisch english thai interaktives wörterbuch mit deutscher lautschriftausgabe und kostenlosen download thailändischer pc schriften in diesem online wörterbuch sind ca 13000 deutsche begriffe mit thailändischer Übersetzung und deutscher lautschrift

wörterbuch französisch deutsch online kaufen thalia - Apr 30 2022

web ob für die schule oder den urlaub bestellen sie jetzt ihr neues wörterbuch französisch deutsch bei thalia bildwörterbücher schulbücher vokabeln

französische Übersetzung von thai collins online dictionary - Aug 03 2022

web französische Übersetzung von thai der offizielle collins englisch französisch wörterbuch online Über 100 000

französische Übersetzungen von englische wörtern und ausdrücken

thai übersetzen französisch englisch cambridge wörterbuch - Jan 08 2023

web thai übersetzen thai thai thai erfahren sie mehr

thai deutsch französisch Übersetzung pons - Apr 11 2023

web Übersetzung deutsch französisch für thai im pons online wörterbuch nachschlagen gratis vokabeltrainer verbtabelle aussprachefunktion

thai deutsch online wörterbücher thailaendisch de - Sep 04 2022

web nutzen sie thai deutsch online wörterbücher ob thai2german easythailand easythai thaiwoerterbuch baanthai german thai phuutthai deutschthai clickthai oder uebersetzung thai hinter all diesen namen stecken webseiten die online wörterbücher für die sprachkombinationen thai deutsch und deutsch thai anbieten wer nicht ständig ein

französisch thai thai französisch wörterbuch by - Feb 26 2022

web französisch thai thai französisch wörterbuch by prariemwirashpag lernen sie die wichtigsten wörter auf rumänisch june 6th 2020 lernen sie rumänisch wesentlich schneller als mit herkömmlichen

französisch thai thai französisch wörterbuch by - May 12 2023

web französisch thai thai französisch wörterbuch by prariemwirashpag dictionnaire leo retour aux forums kostenloses online wörterbuch von langenscheidt online wörterbuch mit über 1 000 sprachen und 40 000 000 napoleon milton winklers wörterbuch der deutschen pivert übersetzen französisch englisch cambridge

französisch thai thai französisch wörterbuch by - Jan 28 2022

web translate français allemand dictionnaire leo retour aux forums napoleon milton winklers wörterbuch der deutschen download langenscheidt grundwortschatz französisch buch deutsch thai thailändisch gratis dolmetscher babelfish de

kostenlose übersetzung und wörterbuch hueber shop katalog

[französisch thai thai französisch wörterbuch pdf uniport edu](#) - Oct 05 2022

web jun 14 2023 as this französisch thai thai französisch wörterbuch it ends in the works living thing one of the favored books französisch thai thai französisch wörterbuch collections that we have this is why you remain in the best website to see the incredible books to have oxford picture dictionary english thai jayne adelson goldstein 2008

thai französisch Übersetzung deutsch französisch wörterbuch - Aug 15 2023

web thai Übersetzung deutsch französisch wörterbuch siehe auch thailand thailänder thailändisch th biespiele konjugation

[französisch thai thai französisch wörterbuch pdf uniport edu](#) - Feb 09 2023

web apr 3 2023 französisch thai thai französisch wörterbuch 2 5 downloaded from uniport edu ng on april 3 2023 by guest numerale präpositionen jeweils mit beispielen anmerkungen besonderheiten german books in print 2003 mozin s kleines deutsch französisch und französischdeutsches aus dem