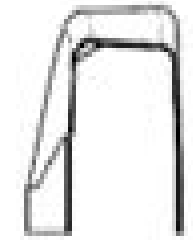
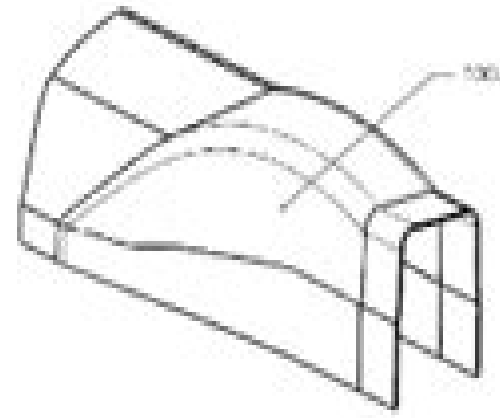


LAMP VEHICLE			
WHEEL DATA			SURFACE AREA (sq. in.)
A.S.	WHEELS	AXLES	
11	1.00 2.00 1.00	1.00	1.000
12	1.00 2.00 1.00 1.00 1.00	1.00	1.000
13	1.00 2.00 1.00 1.00 1.00	1.00	1.000
14	1.00 2.00 1.00 1.00 1.00	1.00	1.000
15	1.00 2.00 1.00	1.00	1.000
TOTAL	8		



- NOTES:
1. PLY 1 CONFORMS TO 100L SIZE
 2. SURFACE FINISH SHOULD BE AS PER 100L
 3. MATERIALS & PART TYPES MUST BE APPROVED BY CUSTOMER BEFORE PRODUCTION
 4. ALL DIMENSIONS TO BE IN MILLIMETER UNLESS OTHERWISE SPECIFIED
 5. ALL DIMENSIONS TO BE TO CENTER UNLESS OTHERWISE SPECIFIED
 6. ALL DIMENSIONS TO BE TO CENTER UNLESS OTHERWISE SPECIFIED
 7. ALL DIMENSIONS TO BE TO CENTER UNLESS OTHERWISE SPECIFIED
 8. ALL DIMENSIONS TO BE TO CENTER UNLESS OTHERWISE SPECIFIED
 9. ALL DIMENSIONS TO BE TO CENTER UNLESS OTHERWISE SPECIFIED
 10. ALL DIMENSIONS TO BE TO CENTER UNLESS OTHERWISE SPECIFIED

DESIGNING ENGINEER	DATE	PROJECT NO.	
10/1/80	10/1/80	100L SIZE	
DESIGN CHECKER	DATE	PROJECT NO.	
10/1/80	10/1/80	100L SIZE	
APPROVED BY	DATE	PROJECT NO.	
10/1/80	10/1/80	100L SIZE	

Composite Drawing In Engineering

M Woodhall



Composite Drawing In Engineering:

When people should go to the books stores, search commencement by shop, shelf by shelf, it is essentially problematic. This is why we provide the books compilations in this website. It will no question ease you to look guide **Composite Drawing In Engineering** as you such as.

By searching the title, publisher, or authors of guide you in fact want, you can discover them rapidly. In the house, workplace, or perhaps in your method can be all best place within net connections. If you aspiration to download and install the Composite Drawing In Engineering, it is utterly simple then, previously currently we extend the associate to buy and create bargains to download and install Composite Drawing In Engineering as a result simple!

<https://py.bijouxmedusa.com/results/detail/default.aspx/quantum%20mechanics%20mcintyre%20solutions%20.pdf>

Table of Contents Composite Drawing In Engineering

1. Understanding the eBook Composite Drawing In Engineering
 - The Rise of Digital Reading Composite Drawing In Engineering
 - Advantages of eBooks Over Traditional Books
2. Identifying Composite Drawing In Engineering
 - Exploring Different Genres
 - Considering Fiction vs. Non-Fiction
 - Determining Your Reading Goals
3. Choosing the Right eBook Platform
 - Popular eBook Platforms
 - Features to Look for in an Composite Drawing In Engineering
 - User-Friendly Interface
4. Exploring eBook Recommendations from Composite Drawing In Engineering
 - Personalized Recommendations
 - Composite Drawing In Engineering User Reviews and Ratings
 - Composite Drawing In Engineering and Bestseller Lists

5. Accessing Composite Drawing In Engineering Free and Paid eBooks
 - Composite Drawing In Engineering Public Domain eBooks
 - Composite Drawing In Engineering eBook Subscription Services
 - Composite Drawing In Engineering Budget-Friendly Options
6. Navigating Composite Drawing In Engineering eBook Formats
 - ePub, PDF, MOBI, and More
 - Composite Drawing In Engineering Compatibility with Devices
 - Composite Drawing In Engineering Enhanced eBook Features
7. Enhancing Your Reading Experience
 - Adjustable Fonts and Text Sizes of Composite Drawing In Engineering
 - Highlighting and Note-Taking Composite Drawing In Engineering
 - Interactive Elements Composite Drawing In Engineering
8. Staying Engaged with Composite Drawing In Engineering
 - Joining Online Reading Communities
 - Participating in Virtual Book Clubs
 - Following Authors and Publishers Composite Drawing In Engineering
9. Balancing eBooks and Physical Books Composite Drawing In Engineering
 - Benefits of a Digital Library
 - Creating a Diverse Reading Collection Composite Drawing In Engineering
10. Overcoming Reading Challenges
 - Dealing with Digital Eye Strain
 - Minimizing Distractions
 - Managing Screen Time
11. Cultivating a Reading Routine Composite Drawing In Engineering
 - Setting Reading Goals Composite Drawing In Engineering
 - Carving Out Dedicated Reading Time
12. Sourcing Reliable Information of Composite Drawing In Engineering
 - Fact-Checking eBook Content of Composite Drawing In Engineering
 - Distinguishing Credible Sources
13. Promoting Lifelong Learning

- Utilizing eBooks for Skill Development
 - Exploring Educational eBooks
14. Embracing eBook Trends
- Integration of Multimedia Elements
 - Interactive and Gamified eBooks

Composite Drawing In Engineering Introduction

In today's digital age, the availability of Composite Drawing In Engineering books and manuals for download has revolutionized the way we access information. Gone are the days of physically flipping through pages and carrying heavy textbooks or manuals. With just a few clicks, we can now access a wealth of knowledge from the comfort of our own homes or on the go. This article will explore the advantages of Composite Drawing In Engineering books and manuals for download, along with some popular platforms that offer these resources. One of the significant advantages of Composite Drawing In Engineering books and manuals for download is the cost-saving aspect. Traditional books and manuals can be costly, especially if you need to purchase several of them for educational or professional purposes. By accessing Composite Drawing In Engineering versions, you eliminate the need to spend money on physical copies. This not only saves you money but also reduces the environmental impact associated with book production and transportation. Furthermore, Composite Drawing In Engineering books and manuals for download are incredibly convenient. With just a computer or smartphone and an internet connection, you can access a vast library of resources on any subject imaginable. Whether you're a student looking for textbooks, a professional seeking industry-specific manuals, or someone interested in self-improvement, these digital resources provide an efficient and accessible means of acquiring knowledge. Moreover, PDF books and manuals offer a range of benefits compared to other digital formats. PDF files are designed to retain their formatting regardless of the device used to open them. This ensures that the content appears exactly as intended by the author, with no loss of formatting or missing graphics. Additionally, PDF files can be easily annotated, bookmarked, and searched for specific terms, making them highly practical for studying or referencing. When it comes to accessing Composite Drawing In Engineering books and manuals, several platforms offer an extensive collection of resources. One such platform is Project Gutenberg, a nonprofit organization that provides over 60,000 free eBooks. These books are primarily in the public domain, meaning they can be freely distributed and downloaded. Project Gutenberg offers a wide range of classic literature, making it an excellent resource for literature enthusiasts. Another popular platform for Composite Drawing In Engineering books and manuals is Open Library. Open Library is an initiative of the Internet Archive, a non-profit organization dedicated to digitizing cultural artifacts and making them accessible to the public. Open Library hosts millions of books, including both public domain works and

contemporary titles. It also allows users to borrow digital copies of certain books for a limited period, similar to a library lending system. Additionally, many universities and educational institutions have their own digital libraries that provide free access to PDF books and manuals. These libraries often offer academic texts, research papers, and technical manuals, making them invaluable resources for students and researchers. Some notable examples include MIT OpenCourseWare, which offers free access to course materials from the Massachusetts Institute of Technology, and the Digital Public Library of America, which provides a vast collection of digitized books and historical documents. In conclusion, Composite Drawing In Engineering books and manuals for download have transformed the way we access information. They provide a cost-effective and convenient means of acquiring knowledge, offering the ability to access a vast library of resources at our fingertips. With platforms like Project Gutenberg, Open Library, and various digital libraries offered by educational institutions, we have access to an ever-expanding collection of books and manuals. Whether for educational, professional, or personal purposes, these digital resources serve as valuable tools for continuous learning and self-improvement. So why not take advantage of the vast world of Composite Drawing In Engineering books and manuals for download and embark on your journey of knowledge?

FAQs About Composite Drawing In Engineering Books

What is a Composite Drawing In Engineering PDF? A PDF (Portable Document Format) is a file format developed by Adobe that preserves the layout and formatting of a document, regardless of the software, hardware, or operating system used to view or print it. **How do I create a Composite Drawing In Engineering PDF?** There are several ways to create a PDF: Use software like Adobe Acrobat, Microsoft Word, or Google Docs, which often have built-in PDF creation tools. Print to PDF: Many applications and operating systems have a "Print to PDF" option that allows you to save a document as a PDF file instead of printing it on paper. Online converters: There are various online tools that can convert different file types to PDF. **How do I edit a Composite Drawing In Engineering PDF?** Editing a PDF can be done with software like Adobe Acrobat, which allows direct editing of text, images, and other elements within the PDF. Some free tools, like PDFescape or Smallpdf, also offer basic editing capabilities. **How do I convert a Composite Drawing In Engineering PDF to another file format?** There are multiple ways to convert a PDF to another format: Use online converters like Smallpdf, Zamzar, or Adobe Acrobats export feature to convert PDFs to formats like Word, Excel, JPEG, etc. Software like Adobe Acrobat, Microsoft Word, or other PDF editors may have options to export or save PDFs in different formats. **How do I password-protect a Composite Drawing In Engineering PDF?** Most PDF editing software allows you to add password protection. In Adobe Acrobat, for instance, you can go to "File" -> "Properties" -> "Security" to set a password to restrict access or editing

capabilities. Are there any free alternatives to Adobe Acrobat for working with PDFs? Yes, there are many free alternatives for working with PDFs, such as: LibreOffice: Offers PDF editing features. PDFsam: Allows splitting, merging, and editing PDFs. Foxit Reader: Provides basic PDF viewing and editing capabilities. How do I compress a PDF file? You can use online tools like Smallpdf, ILovePDF, or desktop software like Adobe Acrobat to compress PDF files without significant quality loss. Compression reduces the file size, making it easier to share and download. Can I fill out forms in a PDF file? Yes, most PDF viewers/editors like Adobe Acrobat, Preview (on Mac), or various online tools allow you to fill out forms in PDF files by selecting text fields and entering information. Are there any restrictions when working with PDFs? Some PDFs might have restrictions set by their creator, such as password protection, editing restrictions, or print restrictions. Breaking these restrictions might require specific software or tools, which may or may not be legal depending on the circumstances and local laws.

Find Composite Drawing In Engineering :

quantum mechanics mcintyre solutions

reading entry level 3

renault 21 service and repair manual 1986 1994 c to m reg covers models with petrol engines and front wheel drive saloon inc turbo hatchback and estate savanna 1721 and co ltd 1995 and co ltd inc 12 valve does r d sharma objective mathematics for iit jee download

~~renault scenic haynes manual download~~

~~remembering wholeness a personal handbook for thriving in the 21st century carol tuttle~~

pultrusion for engineers

reading comprehension skills strategies level 4

rectangular wave to coax transition design

quantitative methods for business 12th edition pdf

radio receiver projects you can build by homer l davidson

~~python game programming by example gdltd~~

proud mary scribd

prudhoe bay and the alpine oilfield in northeast alaska

psychology ap edition zimbardo test bank

Composite Drawing In Engineering :

chemical reaction definition equations examples types - Jun 01 2022

web chemical reaction a process in which one or more substances the reactants are converted to one or more different substances the products substances are either chemical elements or compounds a chemical reaction rearranges the constituent atoms of the reactants to create different substances as products

chemical reactions name science spot - Jan 08 2023

web chemical reactions answer key 1 watch the video and then complete the chart teacher notes on next page colors a red b blue c green d yellow 2 use colored pencils to circle the common atoms or compounds on each side of the equations to help you determine the type of reaction it illustrates use the code below to classify each

chemical reactions questions practice questions of chemical reactions - Dec 27 2021

web chemical reactions questions and answers practice questions mcqs pyqs ncert questions question bank class 11 and class 12 questions ncert exemplar questions and pdf questions with answers solutions explanations ncert reference and difficulty level in chemical reactions in chemistry

chemical reactions ks3 chemistry bbc bitesize - Jul 02 2022

web oxidation in an oxidation reaction a substance gains oxygen atoms learn more in this ks3 chemistry guide from bitesize catalysts a catalyst is a substance that speeds up a chemical

chemical reactions summary - Feb 09 2023

web john wiley sons australia ltd science quest 10 student workbook chapter 5 chemical reactions chemical reactions summary answers complete the statements below

worksheets chemistry libretexts - Jun 13 2023

web worksheets inorganic chemistry worksheets analytical chemistry worksheets physical chemistry spectroscopy worksheets worksheets analytical chemistry ii

3a compounds naming reaction equations and chemistry - Mar 10 2023

web mar 13 2023 chemical equations a chemical equation is a written expression of a chemical reaction e g $2\text{H}_2 + \text{O}_2 \rightarrow 2\text{H}_2\text{O}$ label eq reactants are written on the left and products are written on the right in a balanced equation the total numbers of atoms of each kind on both sides are the same

chemsheets answers nhgs - Feb 26 2022

web answers chemsheets as 1001 atomic structure answers chemsheets as 1002 atoms and ions answers chemsheets as 1010 identify the particle answers chemsheets as 1013 the nature of bonds answers chemsheets as 1022 substances and particles answers chemsheets gcse 1007 ions answers chemsheets gcse 1016 balancing

chemistry worksheets revision activities with answers edplace - Oct 05 2022

web in these worksheets you ll get easily digestible notes on many chemistry topics as well as test papers and practice questions with answers our chemistry worksheets aim to provide students with important insight while challenging them in areas that might require more independent thought

chemical reactions cheat sheet chemistry tutorials - Apr 11 2023

web gases cheat sheet chemical reactions with examples types of chemical reactions with examples redox oxidation reduction reactions balancing chemical reactions with examples chemical reaction stoichiometry with examples chemical reactions cheat sheet nuclear chemistry radioactivity natural nuclear reactions and

6 types of chemical reactions experiment chemistry - Sep 04 2022

web sep 22 2021 to perform and observe the results of a variety of chemical reactions to become familiar with the observable signs of chemical reactions to identify the products formed in chemical reactions and predict when a reaction will occur to write balanced equations for the reactions studied

what is a chemical reaction 11 14 years rsc education - Jan 28 2022

web 1 1 the nature of substances and chemical reactions k chemical reactions as a process of re arrangement of the atoms present in the reactants to form one or more products which have the same total number of each type of atom as the reactants wjec combined science unit 2 chemistry 1 2 1 the nature of substances

sample exam questions chemical reactions bbc - Mar 30 2022

web 1 2 3 4 5 multiple choice questions there are two papers for each tier of entry foundation and higher each paper is split into two sections section a and section b the short answer questions

4 e chemical reactions and equations exercises chemistry - Aug 15 2023

web answers reactants nitrogen and hydrogen product ammonia reactants magnesium hydroxide and nitric acid products magnesium nitrate and water n 2 3h 2 2nh 3 mg oh 2 2hno 3 mg no 3 2 2h 2 o 2nacl 3 2nacl 3o 2 4al 3o 2 2al 2 o 3 n 2 g 3h 2 g 2nh 3 g

chemistry worksheets and handouts pdf for printing - May 12 2023

web mar 8 2021 rules pdf answers addition and subtraction pdf answers multiplication and division pdf answers types of chemical reactions worksheet answers in addition to these chemistry worksheets there is

worksheet 14 chemical kinetics chemistry libretexts - Dec 07 2022

web may 21 2023 the equation for an overall reaction is $i\text{ocl} \rightarrow i\text{ocl}$ the following is a proposed mechanism for this reaction one of the species has been left out determine what that species is in lieu of the question mark make sure the charge is correct if it has one

5a solubility and solution reactions worksheet chemistry - Nov 06 2022

web mar 13 2023 a solute is considered insoluble if very little of it dissolves in a given amount of the solvent for example sand sio 2 is considered insoluble in water nonetheless extremely small quantities of dissolved sio 2 can be found in a mixture of sand and water as this suggests solubility is a relative term

chemical reactions worksheets easy teacher worksheets - Jul 14 2023

web print chemical reactions worksheets click the buttons to print each worksheet and associated answer key balancing reactions provide the coefficients to balance the chemical equations shown below gram formula mass what is the mass of one mole of each of these substances percentage mass

7 4 how to write balanced chemical equations chemistry - Apr 30 2022

web jul 21 2022 chemical reaction the process in which one or more substances are changed into one or more new substances reactants the starting materials in a reaction products materials present at the end of a reaction balanced chemical equation a chemical equation in which the number of each type of atom is equal on the two sides of

7 2 evidence of a chemical reaction chemistry libretexts - Aug 03 2022

web may 20 2018 solution a b c e involve only physical changes a sliced orange has acid citric acid that can react with sodium hydroxide so the answer is d exercise 7 2 1 which of the following is a chemical reaction painting a wall blue a i saw you or i ve seen you textranch - Mar 03 2023

web textranch the best way to perfect your writing discover why 909 973 users count on textranch to get their english corrected 1 input your text below 2 get it corrected in a

i haven t seen you or i ve not seen you textranch - Jan 09 2021

web or should i say i ve not seen you for during these days no i ve not seen you this way before standin a mess at my door well it took you so long but you finally found

this season s it bag the subtle yet surprisingly spacious half moon - Feb 19 2022

web 1 day ago and you can t move for them on the high street charles keith has a whole range of half moon bags called petra for 85 a pop arket has a chic black leather

video brutality of hamas attack seen at israel morgue cnn - Jun 13 2021

web oct 30 2023 cnn s sara sidner visits a makeshift morgue where forensic experts doctors and rabbis work to identify and lay to rest some of those killed in hamas october

i ve seen english definition grammar pronunciation synonyms - Nov 30 2022

web translations of i ve seen into english in sentences translation memory declension stem match words all exact any i ve seen that look many times but never in the eyes of a

making squid game reality tv show posed problem of how to - Aug 16 2021

web nov 7 2023 producer of game show based on dystopian drama says shootings will not produce red liquid given us gun violence and global wars filming the new squid game

i ve seen you jan 01 2018 edition open library - Jul 07 2023

web jan 1 2018 i ve seen you by luca favaro 0 ratings 0 want to read 0 currently reading 0 have read

us launches airstrike in response to attacks on bases housing - Sep 16 2021

web nov 8 2023 men help toddlers to drink some water upon reaching the central gaza strip on foot via the salah al din road on their way to the southern part of the palestinian

i ve seen 41126 pronunciations of i ve seen in english - Jul 27 2022

web here are 4 tips that should help you perfect your pronunciation of i ve seen break i ve seen down into sounds say it out loud and exaggerate the sounds until you can

i ve always wanted to visit england the guardian - Jan 21 2022

web 20 hours ago at our age it is unlikely i will get a chance to visit england again i am hurt and have pretty much cut off contact with them this is possibly an immature and

we ve all dreamed of saying take this job and shove it - Mar 23 2022

web nov 8 2023 9 00 pm et frank hibbard a longtime public servant prides himself on not being a quitter but after disagreeing with council members that spending on a new city

i ve seen example sentences use i ve seen in a sentence bab la - Apr 04 2023

web english i ve seen my people die like flies volume up more vert english i came to london and i ve seen performance by cirque du soleil volume up more vert english

top officials called johnson s no 10 mad and poisonous covid - Dec 20 2021

web nov 7 2023 cabinet office s simon case told cabinet secretary mark sedwill i ve never seen people less well equipped to run a country the two most senior civil servants in

how scary is china nov 11th 2023 the economist - Oct 18 2021

web 1 day ago david kirke believed safe sport repressed people s imaginations how scary is china weekly edition of the economist for nov 11th 2023 you ve seen the news

life on our planet review on netflix natural history as you ve - May 25 2022

web oct 24 2023 life on our planet diving into this eight part series and its seven plus hours is a bit like signing on to a semester long symposium on evolution biodiversity the

grammar should i use i ve seen i saw or i see english - Jun 06 2023

web mar 5 2020 i ve seen lots of guys using the expression of something 7 hits i am trying to understand what does that mean where i am trying to survey that that kind of expression

jordanian arrested in houston supported killing individuals of - Mar 11 2021

web nov 2 2023 a jordanian arrested last month in houston for federal possession of a firearm by a prohibited person had spoken of martyrdom a federal judge said and was

all the light we cannot see review shawn levy turns prize - Apr 23 2022

web nov 2 2023 everything about all the light we cannot see from the world war ii backdrop to the starry supporting players to having a pulitzer prize winning novel as

i ve seen you english definition grammar pronunciation - Jan 01 2023

web learn the definition of i ve seen you check out the pronunciation synonyms and grammar browse the use examples i ve seen you in the great english corpus

too good to be true the contradiction at the heart of the world - May 13 2021

web nov 2 2023 you ve seen the news now discover the story too good to be true the contradiction at the heart of the world economy weekly edition of the economist for

i ve seen you english edition pdf uniport edu - Jun 25 2022

web may 6 2023 you english edition can be taken as capably as picked to act altered states english edition paddy chayefsky 2022 01 19 edward jessup a young

flexible working can significantly improve heart health study - Apr 11 2021

web 1 day ago denis campbell health policy editor flexible working can reduce someone s risk of having a heart attack or stroke new american research has found having a better

[i ve seen or i saw wordreference forums](#) - Aug 08 2023

web sep 20 2012 1 dear members please help me with some tenses trouble i m leaning british english the situation i see a man and i say a i think i ve seen him before b i

you tap someone then they say i saw you vs i ve seen - Sep 09 2023

web i ve seen you hiding means you ve seen them hiding previously possibly many times it also is something that you would say if your child asked you to play hide and seek in

i have seen you english examples in context ludwig - Feb 02 2023

web 1 the new york times i have seen you before writing in your book 2 the new yorker that s the first time i have seen you smile 3 the guardian books wherever you

ludwig find your english sentence - Oct 30 2022

web linguistic search engine and smart translator that helps you find the perfect word or sentence to express your ideas you are offline ludwig guru sentence examples for

[here s why you might see a cloud icon with an on your iphone](#) - Nov 18 2021

web 1 day ago a mysterious icon undocumented by apple shows you when there s a problem in syncing a file apple has digital realms of documentation and how to manuals online

google translate - Aug 28 2022

web google s service offered free of charge instantly translates words phrases and web pages between english and over 100 other languages

[the flat tummy myth why bloating can be good for you and](#) - Feb 07 2021

web nov 6 2023 guts uk advises that you see your gp if bloating or distension persist for more than three weeks especially if they are combined with additional red flag

i saw you vs i ve seen you grammar checker online editor - May 05 2023

web i ve seen you with legatus glaber remember i ve seen you lie i ve seen you naked so often i ve seen you mesmerized by them you looked exhausted the last several times

i ve already seen you english definition grammar pronunciation - Sep 28 2022

web browse the use examples i ve already seen you in the great english corpus you can call it one last request since i ve already seen you naked literature i ve already seen

microsoft 365 copilot is generally available - Jul 15 2021

web nov 1 2023 tj devine published nov 01 2023 08 00 am 135k views undefined starting today microsoft 365 copilot is generally available for enterprise customers worldwide

difference between saw you and have seen you english - Oct 10 2023

web sep 8 2016 however each has a different meaning the first one is past tense that means the action of the person seeing you started and ended before now which is

adult coloring book nice little town 2 paperback - Feb 02 2023

web apr 25 2021 nice little town vol 2 coloring book for adult nice little town christmas simple fun easy and relaxing 113 pages designs nice little town coloring book gift for adult kids boys and girls sketch book 9798743750887 books

nice little town 2 adult coloring book digital pages stress - Sep 28 2022

web adult coloring book nice little town 2 bogema stolova tatiana amazon sg books

nice little town adult coloring book vol 2 booksamillion com - Jun 25 2022

web nice little town vol 2 coloring book for adult nice little town christmas simple fun easy and relaxing 113 pages designs

nice little town coloring book gift

nice little town adult coloring book vol 2 amazing nice little - May 05 2023

web nice little town vol 2 coloring book for adult nice little town christmas simple fun easy and relaxing 113 pages designs

nice little town coloring book gift

nice little town adult coloring book vol 2 amazing nice little - Nov 30 2022

web this book is second book from new nice little town series this series is like little journey through small streets stores and gardens you will plunge into atmosphere of old

adult coloring book nice little town 2 paperback - Jun 06 2023

web nice little town adult coloring book vol 2 amazing nice little town christmas coloring pages an town coloring book for toddlers and kids ages 4 8 beautiful

nice little town vol 2 coloring book for adult nice little town - Apr 04 2023

web nice little town adult coloring book vol 2 amazing nice little town christmas coloring pages an town coloring book for toddlers and kids ages 4 8 beautiful

download pdf adult coloring book nice little town read online - Nov 18 2021

adult coloring book nice little town 2 paperback amazon - Aug 28 2022

web jun 24 2017 nice little town christmas 2 adult coloring book stress relieving coloring pages coloring book for relaxation tatiana bogema stolova 4 7 out of 5

adult coloring book nice little town volume 2 paperback - Sep 09 2023

web buy adult coloring book nice little town volume 2 by bogema stolova tatiana isbn 9781974664603 from amazon s book store free uk delivery on eligible orders

nice little town adult coloring book vol 2 amazing nice little town - Apr 23 2022

web this is children s and adults nice little town vol 2 adult coloring bookis full of happy smiling beautiful christmas design for anyone who love sister this book makes a

nice little town vol 2 adult coloring book nice little - Mar 23 2022

web nov 1 2023 i bet everyone is wondering how the halloween is going on in nice little town here is new book halloween in nice little town is always awesome color

nice little town adult coloring book stress relieving coloring - Dec 20 2021

web all groups and messages

nice little town vol 2 coloring book for adult nice li - May 25 2022

web a nice large format 8 5 x 11 for small hands to drawing easy for boys and girls also for men and women activities such as nice little town adult coloring book coloring will improve your child s pencil grip as well as helping them to relax self regulate their mood and develop their imagination so if your child loves nice little town

nice little town adult coloring book vol 2 adult coloring book - Aug 08 2023

web jul 27 2021 nice little town adult coloring book vol 2 adult coloring book stress relieving coloring pages coloring book for relaxation bookifymedia bookifymedia

nice little town vol 2 coloring book for adult nice little town - Jan 01 2023

web nov 19 2020 nice little town adult coloring book vol 2 amazing nice little town christmas coloring pages an town coloring book for toddlers and kids ages 4 8

adult coloring book nice little town volume 2 abebooks - Oct 30 2022

web oct 30 2023 all categories books movies music books coloring books this coloring books item by bogemabooks has 400 favorites from etsy shoppers ships

nice little town pinterest - Jan 21 2022

web feb 1 2018 nice little town adult coloring book stress relieving coloring pages coloring book for relaxation paperback february 1 2018 by tatiana bogema

nice little town halloween adult coloring book coloring etsy - Feb 19 2022

web aug 18 2022 explore morgan armstrong s board nice little town on pinterest see more ideas about coloring books coloring book pages adult coloring pages

adult coloring book nice little town amazon com - Jul 27 2022

web this kids and adult coloring book has 25 nice little town coloring pages nice little town coloring book is full of high quality illustrations in black and white get free shipping every day every order

nice little town adult coloring book vol 2 amazing nice little - Oct 10 2023

web nov 19 2020 nice little town adult coloring book vol 2 amazing nice little town christmas coloring pages an town coloring book for toddlers and kids ages 4 8

adult coloring book nice little town amazon com - Jul 07 2023

web this is the second coloring book in a new series of nice little town by tanya bogema stolova i love her style and the fun and cute scenes that she portrays in this little

nice little town adult coloring book vol 2 amazing nice little - Mar 03 2023

web paperback 22 07 1 used from 7 02 6 new from 18 92 this book is second book from new nice little town series this series is like little journey through small streets

