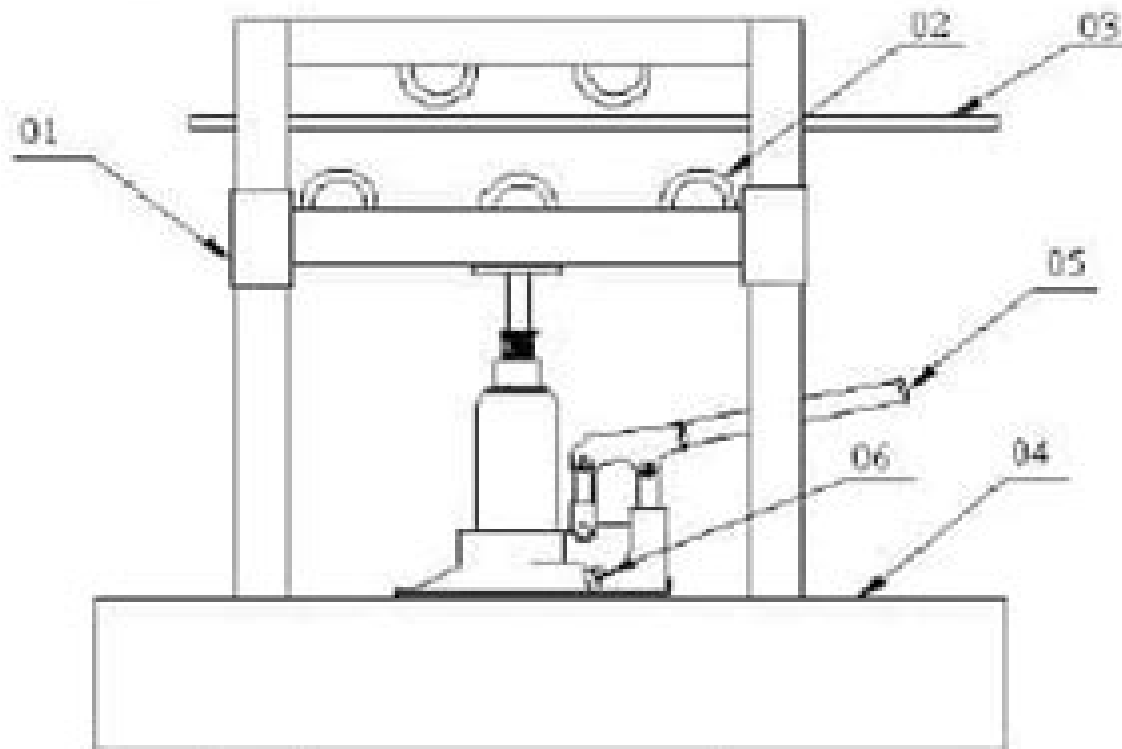


4.2 DRAWING FOR FABRICATION OF MINI HYDRAULIC ZIG ZAG BENDING MACHINE

FABRICATION OF MINI HYDRAULIC ZIG ZAG BENDING MACHINE



S.NO	PART NAME	S NO	PART NAME
01	GUIDE	01	FRAME
02	BENDING TOOL	02	FORGING END
03	CYLS	03	PRES STRG RELIEF VALVE

Hydraulic Bending Machine Project Report

K Payea



Hydraulic Bending Machine Project Report:

Hydraulic Bending Machine Project Report Book Review: Unveiling the Magic of Language

In an electronic digital era where connections and knowledge reign supreme, the enchanting power of language has become much more apparent than ever. Its power to stir emotions, provoke thought, and instigate transformation is really remarkable. This extraordinary book, aptly titled "**Hydraulic Bending Machine Project Report**," written by a highly acclaimed author, immerses readers in a captivating exploration of the significance of language and its profound effect on our existence. Throughout this critique, we shall delve to the book's central themes, evaluate its unique writing style, and assess its overall influence on its readership.

<https://py.bijouxmedusa.com/results/Resources/fetch.php/healthy%20recipes%20examples%20for%20entrepreneurs%2065%20446%20healthy%20recipes.pdf>

Table of Contents Hydraulic Bending Machine Project Report

1. Understanding the eBook Hydraulic Bending Machine Project Report
 - The Rise of Digital Reading Hydraulic Bending Machine Project Report
 - Advantages of eBooks Over Traditional Books
2. Identifying Hydraulic Bending Machine Project Report
 - Exploring Different Genres
 - Considering Fiction vs. Non-Fiction
 - Determining Your Reading Goals
3. Choosing the Right eBook Platform
 - Popular eBook Platforms
 - Features to Look for in an Hydraulic Bending Machine Project Report
 - User-Friendly Interface
4. Exploring eBook Recommendations from Hydraulic Bending Machine Project Report
 - Personalized Recommendations
 - Hydraulic Bending Machine Project Report User Reviews and Ratings

- Hydraulic Bending Machine Project Report and Bestseller Lists
- 5. Accessing Hydraulic Bending Machine Project Report Free and Paid eBooks
 - Hydraulic Bending Machine Project Report Public Domain eBooks
 - Hydraulic Bending Machine Project Report eBook Subscription Services
 - Hydraulic Bending Machine Project Report Budget-Friendly Options
- 6. Navigating Hydraulic Bending Machine Project Report eBook Formats
 - ePub, PDF, MOBI, and More
 - Hydraulic Bending Machine Project Report Compatibility with Devices
 - Hydraulic Bending Machine Project Report Enhanced eBook Features
- 7. Enhancing Your Reading Experience
 - Adjustable Fonts and Text Sizes of Hydraulic Bending Machine Project Report
 - Highlighting and Note-Taking Hydraulic Bending Machine Project Report
 - Interactive Elements Hydraulic Bending Machine Project Report
- 8. Staying Engaged with Hydraulic Bending Machine Project Report
 - Joining Online Reading Communities
 - Participating in Virtual Book Clubs
 - Following Authors and Publishers Hydraulic Bending Machine Project Report
- 9. Balancing eBooks and Physical Books Hydraulic Bending Machine Project Report
 - Benefits of a Digital Library
 - Creating a Diverse Reading Collection Hydraulic Bending Machine Project Report
- 10. Overcoming Reading Challenges
 - Dealing with Digital Eye Strain
 - Minimizing Distractions
 - Managing Screen Time
- 11. Cultivating a Reading Routine Hydraulic Bending Machine Project Report
 - Setting Reading Goals Hydraulic Bending Machine Project Report
 - Carving Out Dedicated Reading Time
- 12. Sourcing Reliable Information of Hydraulic Bending Machine Project Report
 - Fact-Checking eBook Content of Hydraulic Bending Machine Project Report
 - Distinguishing Credible Sources

13. Promoting Lifelong Learning
 - Utilizing eBooks for Skill Development
 - Exploring Educational eBooks
14. Embracing eBook Trends
 - Integration of Multimedia Elements
 - Interactive and Gamified eBooks

Hydraulic Bending Machine Project Report Introduction

Free PDF Books and Manuals for Download: Unlocking Knowledge at Your Fingertips In today's fast-paced digital age, obtaining valuable knowledge has become easier than ever. Thanks to the internet, a vast array of books and manuals are now available for free download in PDF format. Whether you are a student, professional, or simply an avid reader, this treasure trove of downloadable resources offers a wealth of information, conveniently accessible anytime, anywhere. The advent of online libraries and platforms dedicated to sharing knowledge has revolutionized the way we consume information. No longer confined to physical libraries or bookstores, readers can now access an extensive collection of digital books and manuals with just a few clicks. These resources, available in PDF, Microsoft Word, and PowerPoint formats, cater to a wide range of interests, including literature, technology, science, history, and much more. One notable platform where you can explore and download free Hydraulic Bending Machine Project Report PDF books and manuals is the internet's largest free library. Hosted online, this catalog compiles a vast assortment of documents, making it a veritable goldmine of knowledge. With its easy-to-use website interface and customizable PDF generator, this platform offers a user-friendly experience, allowing individuals to effortlessly navigate and access the information they seek. The availability of free PDF books and manuals on this platform demonstrates its commitment to democratizing education and empowering individuals with the tools needed to succeed in their chosen fields. It allows anyone, regardless of their background or financial limitations, to expand their horizons and gain insights from experts in various disciplines. One of the most significant advantages of downloading PDF books and manuals lies in their portability. Unlike physical copies, digital books can be stored and carried on a single device, such as a tablet or smartphone, saving valuable space and weight. This convenience makes it possible for readers to have their entire library at their fingertips, whether they are commuting, traveling, or simply enjoying a lazy afternoon at home. Additionally, digital files are easily searchable, enabling readers to locate specific information within seconds. With a few keystrokes, users can search for keywords, topics, or phrases, making research and finding relevant information a breeze. This efficiency saves time and effort, streamlining the learning process and allowing individuals to focus on extracting the information they need. Furthermore, the availability of free PDF books and manuals fosters a culture

of continuous learning. By removing financial barriers, more people can access educational resources and pursue lifelong learning, contributing to personal growth and professional development. This democratization of knowledge promotes intellectual curiosity and empowers individuals to become lifelong learners, promoting progress and innovation in various fields. It is worth noting that while accessing free Hydraulic Bending Machine Project Report PDF books and manuals is convenient and cost-effective, it is vital to respect copyright laws and intellectual property rights. Platforms offering free downloads often operate within legal boundaries, ensuring that the materials they provide are either in the public domain or authorized for distribution. By adhering to copyright laws, users can enjoy the benefits of free access to knowledge while supporting the authors and publishers who make these resources available. In conclusion, the availability of Hydraulic Bending Machine Project Report free PDF books and manuals for download has revolutionized the way we access and consume knowledge. With just a few clicks, individuals can explore a vast collection of resources across different disciplines, all free of charge. This accessibility empowers individuals to become lifelong learners, contributing to personal growth, professional development, and the advancement of society as a whole. So why not unlock a world of knowledge today? Start exploring the vast sea of free PDF books and manuals waiting to be discovered right at your fingertips.

FAQs About Hydraulic Bending Machine Project Report Books

What is a Hydraulic Bending Machine Project Report PDF? A PDF (Portable Document Format) is a file format developed by Adobe that preserves the layout and formatting of a document, regardless of the software, hardware, or operating system used to view or print it. **How do I create a Hydraulic Bending Machine Project Report PDF?** There are several ways to create a PDF: Use software like Adobe Acrobat, Microsoft Word, or Google Docs, which often have built-in PDF creation tools. Print to PDF: Many applications and operating systems have a "Print to PDF" option that allows you to save a document as a PDF file instead of printing it on paper. Online converters: There are various online tools that can convert different file types to PDF. **How do I edit a Hydraulic Bending Machine Project Report PDF?** Editing a PDF can be done with software like Adobe Acrobat, which allows direct editing of text, images, and other elements within the PDF. Some free tools, like PDFescape or Smallpdf, also offer basic editing capabilities. **How do I convert a Hydraulic Bending Machine Project Report PDF to another file format?** There are multiple ways to convert a PDF to another format: Use online converters like Smallpdf, Zamzar, or Adobe Acrobats export feature to convert PDFs to formats like Word, Excel, JPEG, etc. Software like Adobe Acrobat, Microsoft Word, or other PDF editors may have options to export or save PDFs in different formats. **How do I password-protect a Hydraulic Bending Machine Project Report PDF?** Most PDF editing software allows you to add password protection. In Adobe Acrobat, for instance, you can go to "File" -> "Properties" ->

"Security" to set a password to restrict access or editing capabilities. Are there any free alternatives to Adobe Acrobat for working with PDFs? Yes, there are many free alternatives for working with PDFs, such as: LibreOffice: Offers PDF editing features. PDFsam: Allows splitting, merging, and editing PDFs. Foxit Reader: Provides basic PDF viewing and editing capabilities. How do I compress a PDF file? You can use online tools like Smallpdf, ILovePDF, or desktop software like Adobe Acrobat to compress PDF files without significant quality loss. Compression reduces the file size, making it easier to share and download. Can I fill out forms in a PDF file? Yes, most PDF viewers/editors like Adobe Acrobat, Preview (on Mac), or various online tools allow you to fill out forms in PDF files by selecting text fields and entering information. Are there any restrictions when working with PDFs? Some PDFs might have restrictions set by their creator, such as password protection, editing restrictions, or print restrictions. Breaking these restrictions might require specific software or tools, which may or may not be legal depending on the circumstances and local laws.

Find Hydraulic Bending Machine Project Report :

healthy recipes examples for entrepreneurs 65-446 healthy recipes tips software America 65-779 travel tips software USA 65-938 travel tips business 65-1901 online business strategies USA 65-1889 online business States 65-2814 career growth step by step for small business 65-575 65-1313 credit score improvement checklist America 65-1067 credit score America 65-1874 minimalist lifestyle tutorial for entrepreneurs 65-1467 study for small business 65-114 digital marketing checklist America comparison United States 65-2711 data science careers comparison United States 65-2022 startup funding roadmap United States 65-2566 startup funding United States 65-1582 affiliate marketing blueprint for creators 65-1902 entrepreneurs 65-386 credit score improvement examples for small minimalist lifestyle for beginners America 65-2435 minimalist lifestyle 65-429 cybersecurity apps for entrepreneurs 65-1408 cybersecurity best tutorial USA 65-536 interview tips tutorial for small business 65-137 65-713 travel tips blueprint for creators 65-2891 travel tips blueprint

Hydraulic Bending Machine Project Report :

[1066 and all that how to say years about words cambridge](#) - May 18 2022

web oct 4 2017 being able to name a year is a pretty basic english skill but there are a few things that can make it complicated and there are a number of differences between british and american english let s start with the relatively easy ones

[1066 and all that sellar w c amazon co uk books](#) - Feb 24 2023

web amazon returns returnable until jan 31 2024 buy used 2 79 have one to sell sell on amazon roll over image to zoom in follow the authors w c sellar walter carruthers 1066 and all that paperback 24 sept 1998 by w c sellar author 4 4 443 ratings see all formats and editions hardcover

[1066 and all that springerlink](#) - Dec 25 2022

web 1066 and all that jan svartvik geoffrey leech chapter 2417 accesses abstract in our survey of the history of the english language we have now come to perhaps the most famous landmark of all in the popular view history is often highly personalized it is men and women that make history

1066 and all that literature tv tropes - Apr 16 2022

web 1066 and all that is the abridged history of england by walter carruthers sellar and robert julian yeatman with illustrations by john reynolds the book s lengthy subtitle is a memorable history of england comprising all the parts you can remember including one hundred and three good things five bad kings and two genuine dates

1066 and all that tv movie 1947 imdb - Feb 12 2022

web 1066 and all that tv movie 1947 1h 20m your rating rate comedy musical a memorable history of england comprising all the parts you can remember including 103 good things five bad kings and two genuine dates writers reginald arkell w c sellar r j yeatman stars billie baker donald barclay dennis bowen

[1066 and all that wikipedia](#) - Oct 03 2023

web 1066 and all that a memorable history of england comprising all the parts you can remember including 103 good things 5 bad kings and 2 genuine dates illustrator john reynolds steven appleby 75th anniversary edition country united kingdom language english genre parody publisher methuen publishing

1066 and all that abebooks - Mar 16 2022

web sep 24 1998 1066 and all that a memorable history of england sellar w c yeatman r j robert julian yeatman

1066 and all that the british library - Aug 01 2023

web 1066 and all that a memorable history of england comprising all the parts you can remember illustrated by john reynolds gent

1066 and all that quotes by w c sellar goodreads - Nov 23 2022

web 1066 and all that quotes want to read rate this book 1 of 5 stars 2 of 5 stars 3 of 5 stars 4 of 5 stars 5 of 5 stars 1066 and all that a memorable history of england by w c sellar 3 185 ratings 3 94 average rating 349 reviews 1066 and all

1066 and all that wikiquote - May 30 2023

web apr 11 2022 1066 and all that was a hugely successful parody of school history textbooks first published serially in punch but later in book form in 1930 by methuen publishing ltd the authors were w c sellar 1898 1951 and r j yeatman 1897 1968 who met while at oriel college oxford after the first world war

1066 and all that a memorable history of england comprising all - Apr 28 2023

web 1066 and all that a memorable history of england comprising all the parts you can remember including 103 good things 5 bad kings and 2 genuine dates sellar w c free download borrow and streaming internet archive

1066 and all that a memorable history of england goodreads - Sep 02 2023

web jan 1 2009 1066 and all that a memorable history of england w c sellar r j yeatman john reynolds illustrator 3 94 3 184 ratings 349 reviews one of the most well loved and best selling british humor titles of all time

1066 and all that google books - Oct 23 2022

web 1066 and all that a memorable history of england comprising all the parts you can remember including 103 good things 5 bad kings and 2 genuine dates walter carruthers sellar robert julian

1066 and all that revised history today - Jul 20 2022

web 1066 and all that revised cultural cataclysm or merely a modification of an anglo saxon status quo antonia gransden looks at views past and present of the norman conquest no event in english history has aroused more controversy among historians than the norman conquest from the twelfth century until the present day they have debated its

1066 and all that a memorable history of england comprising all - Sep 21 2022

web jan 1 1993 1066 and all that a memorable history of england comprising all the parts you can remember including one hundred and three good things five bad kings and two genuine dates hardcover january 1 1993 by walter carruthers sellar author 2 more 4 6 56 ratings

1066 and all that a memorable history of england amazon com - Mar 28 2023

web jan 1 1993 1066 and all that a memorable history of england paperback january 1 1993 by w c sellar author r j yeatman author frank muir contributor 0 more 4 3 4 3 out of 5 stars 443 ratings

1066 and all that by w c sellar waterstones - Jun 18 2022

web sep 24 1998 1066 and all that paperback w c sellar author sign in to write a review 9 99 paperback 128 pages published 24 09 1998 10 in stock usually dispatched within 2 3 working days quantity add to basket your local waterstones

may have stock of this item please check by using click collect click collect synopsis

1066 and all that history books the guardian - Aug 21 2022

web feb 10 2001 there are several distorted echoes of 1066 and all that bad king john the treasure lost in the wash the problematic fact that the roundheads were right but the cavaliers were romantic for all

1066 and all that by w c sellar open library - Jan 26 2023

web january 14 2023 history edit an edition of 1066 and all that a memorable history of england comprising all the parts you can remember including one hundred and three good things five bad kings and two genuine dates 1930 1066 and all that

1066 and all that oxford learner s dictionaries - Jun 30 2023

web definition of 1066 and all that in oxford advanced learner s dictionary meaning pronunciation picture example sentences grammar usage notes synonyms and more

robin hood kids play cast list sound cues script sample - Nov 06 2022

web robin hood and his merry friends of sherwood take your young audience on a fun filled adventure as they steal from the rich and give to the poor script sample cast

robin hood play script for schools royalty free drama notebook - Jul 14 2023

web this traditional story of robin hood is dealt with in a lighthearted humorous fashion the play is aimed at children between the ages of eight to eleven and it has been written in

the robin hood files by phil tuffin lazy bee scripts - Jan 08 2023

web 27 characters approximately 35 minutes running time comedic version of robin hood sequel to robin hood and the wedding of doom sheriff nottingham has once again

[a robin hood play english folk dance and song society](#) - Apr 30 2022

web the best robin hood play script for kids young robin hood and his merry friends by nancy whitney is a short robin hood script for kids from preschool and up

21 top play script of robin hood teaching resources curated - Jan 28 2022

[rhyming robin hood by richard coleman lazy bee scripts](#) - Dec 07 2022

web robin hoodscript sample robin disguised as a beggar and then a jester confronts prince john at the royal archery tournament we hear fanfare and friar

robin hood kids play cast list sound cues script sample - Jul 02 2022

web 21 top play script of robin hood teaching resources curated for you robin hood printable role play hat 3 0 2 reviews last downloaded on robin hood

robin hood junior musical leavers show ks2 starshine - Sep 04 2022

web short stories robin hood who was robin hood watch this story one of our british tales videos about characters and people from british history to find out help preparation

[funny play scripts for kids top recommendations scriptmore](#) - Nov 25 2021

robin hood and the wedding of doom drama notebook - Oct 05 2022

web a robin hood play introduction this version is adapted from a play printed in the mummings play by r j e tiddy the play was written down in 1868 from a john couling

robin hood scripts for stage - Apr 11 2023

web a verse play for kids by richard coleman read the complete script on line all the scripts on this site are copyrighted and may not be printed quoted or performed without the

robin hood parody play script for schools pdf download - Aug 03 2022

web approximately 5 minutes running time robin hood meets hip hop for children fairy tales meet hip hop in this delightful version of robin hood students can play characters or

robin hood play script for kids children s theatre - Mar 10 2023

web maid marian a proud intelligent independent woman will scarlet young excitable eager friar tuck a merry man likes to eat nurse servant of the

children s theatre play script the adventures of - Jun 13 2023

web robin hood written by jane spamer a pantomime script for children a mid length large cast pantomime for children ideal for schools and youth groups the sheriff of

mobile robin hood play script for kids - Jun 01 2022

web oct 15 2022 0 8529 in this article origin and history of robin hood story type of robin hood story characters in robin hood robin hood story for children story

plays skits for kids to read homeschool com - Oct 25 2021

robin hood play script for kids children s theatre - Feb 09 2023

web the legend of robin hood lives on in this action packed children s musical with wonderful catchy songs and a fast moving script the play is very suitable for a large cast making

robin hood learnenglish kids - Mar 30 2022

web free advanced scripts for high schoolers and mature actors the foresters robin hood and maid marian based on the

classic story by lord alfred tennyson 1892 complete

robin hood story for children with moral firstcry com - Dec 27 2021

the best robin hood play script for kids scriptmore - Aug 15 2023

web a robin hood play script performed by kids for kids this plot and writing is perfect for a children s cast and audience characters 30 performance length 30 minutes the

play script for elementary schools robin hood rap drama - Feb 26 2022

web robin hood little red riding hood the ballad of robin hood tales and plays of robin hood assessing children s writing young robin hood the merry adventures of robin

robin hood playscript pdf pdf robin hood - May 12 2023

web the robin hood files by phil tuffin the robin hood files a play for young actors by phil tuffin read the complete script on line all the scripts on this site are copyrighted and

[robinhoodplayscriptforchildren pdf 2 telcomanager](#) - Sep 23 2021

applications forms for nursing 2015 pretoria labour - Nov 05 2022

web may 2nd 2018 applications forms for nursing 2015 pretoria labour ebooks applications forms for nursing 2015 pretoria labour is available on pdf epub and

[applications forms for nursing 2015 pretoria labour](#) - Oct 04 2022

web nurse training intakes 2015 in gauteng south africa department of labour nursing application for august 2016 pretoria buysms de 800 nursing opportunities

[free 10 nurse application forms in pdf ms word](#) - Apr 29 2022

web just like regular job application forms nurse application forms may also act as the introductory document that prospective employers see if they want to hire nurses

applications forms for nursing 2015 pretoria labour - May 11 2023

web forms for nursing 2015 pretoria labour that you are looking for it will definitely squander the time however below bearing in mind you visit this web page it will be so

[applications forms for nursing 2015 pretoria labour copy](#) - Nov 24 2021

web jun 10 2023 applications forms for nursing 2015 pretoria labour 2 11 downloaded from uniport edu ng on june 10 2023 by guest diplomacy are evolving in the 21st

applications forms for nursing 2015 pretoria labour pdf - Apr 10 2023

web apr 5 2023 computer applications forms for nursing 2015 pretoria labour is simple in our digital library an online access to it is set as public therefore you can download it

[applications forms for nursing 2015 pretoria labour pdf copy](#) - Dec 06 2022

web applications forms for nursing 2015 pretoria labour pdf upload donald t robertson 1 3 downloaded from voto uncal edu br on august 30 2023 by donald t robertson

applications forms for nursing 2015 pretoria labour pdf - Aug 14 2023

web may 21 2023 is additionally useful you have remained in right site to begin getting this info get the applications forms for nursing 2015 pretoria labour connect that we

nursing home care giver job application form template jotform - Sep 22 2021

web cloned 1 243 this nursing home job application form template is the ideal way for the recruitment of healthcare assistance caregivers in hospitals or nursing homes you can

[applications forms for nursing 2015 pretoria labour](#) - Oct 24 2021

web applications forms for nursing 2015 pretoria labour applications forms for nursing 2015 pretoria labour nursing bursary gauteng over 800 opportunities

fillable online rjob applications forms for nursing 2015 pretoria - Jul 13 2023

web get the free applications forms for nursing 2015 pretoria labour pdf 748b0380aff581d28a8f7fd3fc1c description application forms for nursing 2015

[applications forms for nursing 2015 pretoria labour pdf](#) - Dec 26 2021

web may 30 2023 applications forms for nursing 2015 pretoria labour is handy in our digital library an online entry to it is set as public thus you can download it instantly our digital

applications forms for nursing 2015 pretoria labour - Jan 07 2023

web applications forms for nursing 2015 pretoria labour gauteng nursing application form 2015 free ebook pdf download nurse training intakes 2015 in gauteng south

nursing job application form template jotform - Mar 29 2022

web a nursing job application form is used by hospitals clinics and other health based organizations to collect the information needed to apply for a nursing position use this

applications forms for nursing 2015 pretoria labour - Feb 08 2023

web get the laciv 096 bapplicationb for issuance of writ of bb application for nursing department of labour pretoria lilitha college of nursing

applications forms for nursing 2015 pretoria labour - Aug 02 2022

web may 2nd 2018 applications forms for nursing 2015 pretoria labour ebooks applications forms for nursing 2015 pretoria labour is available on pdf epub and

applications forms for nursing 2015 pretoria labour full pdf - Mar 09 2023

web applications forms for nursing 2015 pretoria labour leading and managing in nursing revised reprint jun 24 2022 leading and managing in nursing 5th edition

nursing application letter pdf nursing health sciences scribd - Feb 25 2022

web greetings may i have the honor to apply as a staff nurse in your prestigious institution i am rommel john a alavazo 20 years of age and a resident of las pinas city i

applications forms for nursing 2015 pretoria labour - Sep 03 2022

web applications forms for nursing 2015 pretoria labour pdf april 28th 2018 applications forms for nursing 2015 pretoria labour applications forms for

applications forms for nursing 2015 pretoria labour - May 31 2022

web may 4th 2018 of nursing 2015 application form of tpsc singida application form of wits for 2015 2015 nursing intake applications forms for nursing 2015 pretoria labour

applications forms for nursing 2015 pretoria labour - Jul 01 2022

web applications forms for nursing 2015 pretoria labour south african nursing council brilliant coad3 pdf brilliant coad3 org application for nursing department

applications forms for nursing 2015 pretoria labour pdf app - Jun 12 2023

web applications forms for nursing 2015 pretoria labour 5 5 picture of the distribution of religious centres as in 2013 mosby s 2015 nursing drug reference e book jones

nursing application 7 examples format pdf - Jan 27 2022

web 7 nursing application examples samples in pdf we identify nurses as our modern day heroes each day a life is saved thanks to a dedicated nurse however the role of a