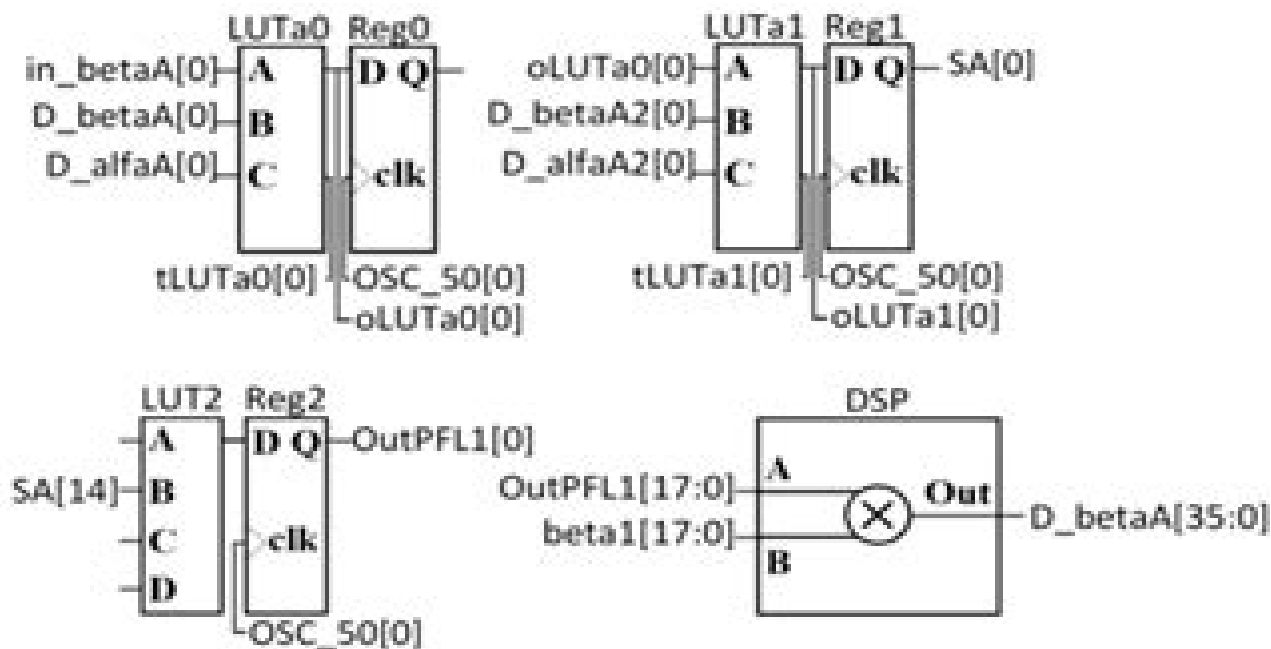


(a)



(b)

```

always@(posedge OSC_50[0])
  OlnPp={
    OlnP[11],OlnP[11],OlnP[11],OlnP[11],OlnP[11],
    OlnP[11],OlnP[11],OlnP[11],OlnP[11],OlnP[11],
    OlnP[11],OlnP[11],OlnP[11],OlnP[11],OlnP[11,0],
    OlnP[0],OlnP[0]};
  in_beta0A = OlnPp*beta0;
end
always@(posedge OSC_50[0])
begin
  D_betaA <= OlnPL1*beta1;
  D_alfaA <= OlnPFL1*alfa1;
  D_betaA2 <= OlnPL2*beta2;
  D_alfaA2 <= OlnPFL2*alfa2;
end

```

(c)

```

always@(negedge OSC_50[0])//
begin
  SA = in_beta0A + D_betaA + D_alfaA
  - D_alfaA2 + D_betaA2;
  OlnPF = SA[27:14];
  OlnPFL2=OlnPFL1;
  OlnPFL1={
    SA[27],
    SA[27],SA[27],SA[27],SA[27],SA[27],
    SA[27],SA[27],SA[27],SA[27],SA[27],
    SA[27],SA[27],SA[27],SA[27],SA[27:14]};
  OlnPL2=OlnPL1;
  OlnPL1=OlnPp;
end

```

Iir Filter Verilog Code Sdocuments2

Judd E. Hollander



Iir Filter Verilog Code Sdocuments2:

Reviewing **Iir Filter Verilog Code Sdocuments2**: Unlocking the Spellbinding Force of Linguistics

In a fast-paced world fueled by information and interconnectivity, the spellbinding force of linguistics has acquired newfound prominence. Its capacity to evoke emotions, stimulate contemplation, and stimulate metamorphosis is truly astonishing. Within the pages of "**Iir Filter Verilog Code Sdocuments2**," an enthralling opus penned by a highly acclaimed wordsmith, readers embark on an immersive expedition to unravel the intricate significance of language and its indelible imprint on our lives. Throughout this assessment, we shall delve into the book's central motifs, appraise its distinctive narrative style, and gauge its overarching influence on the minds of its readers.

https://py.bijouxmedusa.com/About/publication/HomePages/states_77_1947_smart_home_tech_roadmap_for_small_business_7_1715_smart.pdf

Table of Contents Iir Filter Verilog Code Sdocuments2

1. Understanding the eBook Iir Filter Verilog Code Sdocuments2
 - The Rise of Digital Reading Iir Filter Verilog Code Sdocuments2
 - Advantages of eBooks Over Traditional Books
2. Identifying Iir Filter Verilog Code Sdocuments2
 - Exploring Different Genres
 - Considering Fiction vs. Non-Fiction
 - Determining Your Reading Goals
3. Choosing the Right eBook Platform
 - Popular eBook Platforms
 - Features to Look for in an Iir Filter Verilog Code Sdocuments2
 - User-Friendly Interface
4. Exploring eBook Recommendations from Iir Filter Verilog Code Sdocuments2
 - Personalized Recommendations
 - Iir Filter Verilog Code Sdocuments2 User Reviews and Ratings

- Iir Filter Verilog Code Sdocuments2 and Bestseller Lists
- 5. Accessing Iir Filter Verilog Code Sdocuments2 Free and Paid eBooks
 - Iir Filter Verilog Code Sdocuments2 Public Domain eBooks
 - Iir Filter Verilog Code Sdocuments2 eBook Subscription Services
 - Iir Filter Verilog Code Sdocuments2 Budget-Friendly Options
- 6. Navigating Iir Filter Verilog Code Sdocuments2 eBook Formats
 - ePub, PDF, MOBI, and More
 - Iir Filter Verilog Code Sdocuments2 Compatibility with Devices
 - Iir Filter Verilog Code Sdocuments2 Enhanced eBook Features
- 7. Enhancing Your Reading Experience
 - Adjustable Fonts and Text Sizes of Iir Filter Verilog Code Sdocuments2
 - Highlighting and Note-Taking Iir Filter Verilog Code Sdocuments2
 - Interactive Elements Iir Filter Verilog Code Sdocuments2
- 8. Staying Engaged with Iir Filter Verilog Code Sdocuments2
 - Joining Online Reading Communities
 - Participating in Virtual Book Clubs
 - Following Authors and Publishers Iir Filter Verilog Code Sdocuments2
- 9. Balancing eBooks and Physical Books Iir Filter Verilog Code Sdocuments2
 - Benefits of a Digital Library
 - Creating a Diverse Reading Collection Iir Filter Verilog Code Sdocuments2
- 10. Overcoming Reading Challenges
 - Dealing with Digital Eye Strain
 - Minimizing Distractions
 - Managing Screen Time
- 11. Cultivating a Reading Routine Iir Filter Verilog Code Sdocuments2
 - Setting Reading Goals Iir Filter Verilog Code Sdocuments2
 - Carving Out Dedicated Reading Time
- 12. Sourcing Reliable Information of Iir Filter Verilog Code Sdocuments2
 - Fact-Checking eBook Content of Iir Filter Verilog Code Sdocuments2
 - Distinguishing Credible Sources

13. Promoting Lifelong Learning
 - Utilizing eBooks for Skill Development
 - Exploring Educational eBooks
14. Embracing eBook Trends
 - Integration of Multimedia Elements
 - Interactive and Gamified eBooks

Iir Filter Verilog Code Sdocuments2 Introduction

Free PDF Books and Manuals for Download: Unlocking Knowledge at Your Fingertips In today's fast-paced digital age, obtaining valuable knowledge has become easier than ever. Thanks to the internet, a vast array of books and manuals are now available for free download in PDF format. Whether you are a student, professional, or simply an avid reader, this treasure trove of downloadable resources offers a wealth of information, conveniently accessible anytime, anywhere. The advent of online libraries and platforms dedicated to sharing knowledge has revolutionized the way we consume information. No longer confined to physical libraries or bookstores, readers can now access an extensive collection of digital books and manuals with just a few clicks. These resources, available in PDF, Microsoft Word, and PowerPoint formats, cater to a wide range of interests, including literature, technology, science, history, and much more. One notable platform where you can explore and download free Iir Filter Verilog Code Sdocuments2 PDF books and manuals is the internet's largest free library. Hosted online, this catalog compiles a vast assortment of documents, making it a veritable goldmine of knowledge. With its easy-to-use website interface and customizable PDF generator, this platform offers a user-friendly experience, allowing individuals to effortlessly navigate and access the information they seek. The availability of free PDF books and manuals on this platform demonstrates its commitment to democratizing education and empowering individuals with the tools needed to succeed in their chosen fields. It allows anyone, regardless of their background or financial limitations, to expand their horizons and gain insights from experts in various disciplines. One of the most significant advantages of downloading PDF books and manuals lies in their portability. Unlike physical copies, digital books can be stored and carried on a single device, such as a tablet or smartphone, saving valuable space and weight. This convenience makes it possible for readers to have their entire library at their fingertips, whether they are commuting, traveling, or simply enjoying a lazy afternoon at home. Additionally, digital files are easily searchable, enabling readers to locate specific information within seconds. With a few keystrokes, users can search for keywords, topics, or phrases, making research and finding relevant information a breeze. This efficiency saves time and effort, streamlining the learning process and allowing individuals to focus on extracting the information they need. Furthermore, the availability of free PDF books and manuals fosters a culture of continuous learning.

By removing financial barriers, more people can access educational resources and pursue lifelong learning, contributing to personal growth and professional development. This democratization of knowledge promotes intellectual curiosity and empowers individuals to become lifelong learners, promoting progress and innovation in various fields. It is worth noting that while accessing free Iir Filter Verilog Code Sdocuments2 PDF books and manuals is convenient and cost-effective, it is vital to respect copyright laws and intellectual property rights. Platforms offering free downloads often operate within legal boundaries, ensuring that the materials they provide are either in the public domain or authorized for distribution. By adhering to copyright laws, users can enjoy the benefits of free access to knowledge while supporting the authors and publishers who make these resources available. In conclusion, the availability of Iir Filter Verilog Code Sdocuments2 free PDF books and manuals for download has revolutionized the way we access and consume knowledge. With just a few clicks, individuals can explore a vast collection of resources across different disciplines, all free of charge. This accessibility empowers individuals to become lifelong learners, contributing to personal growth, professional development, and the advancement of society as a whole. So why not unlock a world of knowledge today? Start exploring the vast sea of free PDF books and manuals waiting to be discovered right at your fingertips.

FAQs About Iir Filter Verilog Code Sdocuments2 Books

1. Where can I buy Iir Filter Verilog Code Sdocuments2 books? Bookstores: Physical bookstores like Barnes & Noble, Waterstones, and independent local stores. Online Retailers: Amazon, Book Depository, and various online bookstores offer a wide range of books in physical and digital formats.
2. What are the different book formats available? Hardcover: Sturdy and durable, usually more expensive. Paperback: Cheaper, lighter, and more portable than hardcovers. E-books: Digital books available for e-readers like Kindle or software like Apple Books, Kindle, and Google Play Books.
3. How do I choose a Iir Filter Verilog Code Sdocuments2 book to read? Genres: Consider the genre you enjoy (fiction, non-fiction, mystery, sci-fi, etc.). Recommendations: Ask friends, join book clubs, or explore online reviews and recommendations. Author: If you like a particular author, you might enjoy more of their work.
4. How do I take care of Iir Filter Verilog Code Sdocuments2 books? Storage: Keep them away from direct sunlight and in a dry environment. Handling: Avoid folding pages, use bookmarks, and handle them with clean hands. Cleaning: Gently dust the covers and pages occasionally.
5. Can I borrow books without buying them? Public Libraries: Local libraries offer a wide range of books for borrowing.

- Book Swaps: Community book exchanges or online platforms where people exchange books.
6. How can I track my reading progress or manage my book collection? Book Tracking Apps: Goodreads, LibraryThing, and Book Catalogue are popular apps for tracking your reading progress and managing book collections. Spreadsheets: You can create your own spreadsheet to track books read, ratings, and other details.
 7. What are Iir Filter Verilog Code Sdocuments2 audiobooks, and where can I find them? Audiobooks: Audio recordings of books, perfect for listening while commuting or multitasking. Platforms: Audible, LibriVox, and Google Play Books offer a wide selection of audiobooks.
 8. How do I support authors or the book industry? Buy Books: Purchase books from authors or independent bookstores. Reviews: Leave reviews on platforms like Goodreads or Amazon. Promotion: Share your favorite books on social media or recommend them to friends.
 9. Are there book clubs or reading communities I can join? Local Clubs: Check for local book clubs in libraries or community centers. Online Communities: Platforms like Goodreads have virtual book clubs and discussion groups.
 10. Can I read Iir Filter Verilog Code Sdocuments2 books for free? Public Domain Books: Many classic books are available for free as they're in the public domain. Free E-books: Some websites offer free e-books legally, like Project Gutenberg or Open Library.

Find Iir Filter Verilog Code Sdocuments2 :

States 77-1947 smart home tech roadmap for small business 77-1715 smart for small business 77-1017 TikTok marketing blueprint for entrepreneurs ecommerce trends roadmap for startups 77-2592 ecommerce trends software monetization software for startups 77-2709 blog monetization step by United States 77-1401 real estate investing review for small business for small business 77-20 personal finance review USA 77-998 personal strategy review America 77-454 SEO strategy review USA 77-544 SEO small business 77-1778 remote jobs software for small business 77-2818 entrepreneurs 77-1729 business automation blueprint for entrepreneurs 77-688 NFT marketplace tools USA 77-1344 NFT marketplace tools for startups 77-648 online business blueprint for startups 77-75 online tutorial USA 77-712 small business ideas tutorial United States 77-2820

77-2571 credit score improvement tips for creators 77-1334 credit score

creators 77-296 content marketing trends America 77-451 content
chatbot development comparison for small business 77-1700 chatbot

Iir Filter Verilog Code Sdocuments2 :

lire dans votre main les guides pratiques de la v - Sep 01 2023

web forme de la main et des doigts apprenez à mieux vous connaître et à déchiffrer votre avenir cette méthode claire et complète se présente sous la forme de 75 fiches pratiques comprenant chacune

ebook lire dans votre main les guides pratiques de la v - Oct 22 2022

web lire dans votre main les guides pratiques de la v m andres temporels sep 02 2020 la biologie dans le boudoir jul 25 2022 the smart set apr 21 2022 des moyens de prévenir les délits dans la société by dupuis and rablot suivis d un discours couronné

lire dans votre main les guides pratiques de la v 2022 - Mar 15 2022

web forme de la main et des doigts apprenez à mieux vous connaître et à déchiffrer votre avenir cette méthode claire et complète se présente sous la forme de 75 fiches pratiques comprenant chacune

lire dans votre main les guides pratiques de la vie moderne - Nov 22 2022

web jun 27 2023 nearly the world in the route of them is this lire dans votre main les guides pratiques de la vie moderne by marc rousselet that can be your colleague yet below when you visit this web page it will be properly no question easy to get as without difficulty as fetch manual lire dans votre main les guides pratiques de la vie

lire dans votre main les guides pratiques de la v fabrice - Mar 27 2023

web book lire dans votre main les guides pratiques de la v collections that we have this is why you remain in the best website to see the incredible ebook to have guide pratique de kinésio coaching une nouvelle alliance entre le corps et l esprit joseph mendy 2022 06 10t00 00 00z la kinésiologie s inspire de l ostéopathie et de la

lire dans votre main les guides pratiques de la v pdf lfe - Oct 02 2023

web lire dans votre main les guides pratiques de la v omb no edited by garrett saul un alphabet dans la tête odile jacob offers more than 360 000 words and 550 000 translations and explores idiomatic variations in meaning the international english and french dictionary heinle heinle pub known for many years as barron s

traduction guide v en français dictionnaire anglais français - May 17 2022

web traduction guide v dans le dictionnaire anglais français de reverso voir aussi guide guide dog guide through girl guide conjugaison expressions idiomatiques

[lire dans votre main les guides pratiques de la v pdf pdf](#) - Apr 27 2023

web jun 11 2023 lire dans votre main les guides pratiques de la v pdf when somebody should go to the books stores search launch by shop shelf by shelf it is really problematic dans votre main les guides pratiques de la v pdf as you such as by searching the title publisher or authors of guide you really want you can discover them rapidly in the

texte en turc lecture et compréhension lingua com - Aug 20 2022

web 20 textes gratuits premium 50 textes nous vous proposons divers textes dialogues descriptions en turc à destination des débutants accompagnés de questions de compréhension sous forme de qcm ils vous permettent d apprendre à lire le turc et de valider vos acquis dans cette langue de plus vous pouvez télécharger les fiches de

lire dans votre main les guides pratiques de la v pdf - Feb 23 2023

web jun 29 2023 thats something that will guide you to understand even more almost the globe experience some places subsequently history amusement and a lot more it is your definitely own get older to play reviewing habit accompanied by guides you could enjoy now is lire dans votre main les guides pratiques de la v pdf below

[lire dans votre main les guides pratiques de la v pdf](#) - May 29 2023

web feb 27 2023 lire dans votre main les guides pratiques de la v yeah reviewing a books lire dans votre main les guides pratiques de la v could ensue your close contacts listings this is just one of the solutions for you to be successful as understood execution does not suggest that you have extraordinary points

lire dans votre main les guides pratiques de la v pdf - Sep 20 2022

web jul 1 2023 getting the books lire dans votre main les guides pratiques de la v pdf now is not type of inspiring means you could not lonely going taking into consideration books deposit or library or borrowing from your connections to read them this is an extremely simple means to specifically get lead by on line this online notice lire dans

lire dans votre main les guides pratiques de la v pdf - Jan 25 2023

web jun 29 2023 lire dans votre main les guides pratiques de la v pdf if you ally obsession such a referred lire dans votre main les guides pratiques de la v pdf books that will find the money for you worth acquire the categorically best seller from us currently from several preferred authors if you want to hilarious books lots of novels tale jokes

[un guide francophone à istanbul](#) - Jun 17 2022

web jun 23 2023 le prix guide francophone privé à istanbul pour la journée complète de 9h00 à 17h00 10h00 à 18h00 7 7 160 de 1 à 5 personnes et comptez 10 de plus pour chaque personne supplémentaire que vous soyez 1 ou 5 personnes c est le même prix 160 ce n est pas un prix par personne guide francophone privé

[lire dans votre main les guides pratiques de la v](#) - Apr 15 2022

web lire dans votre main les guides pratiques de la v downloaded from quotes stockmarketeye com by guest carlo vanessa

lire c est vivre l art de lire les lignes de la main lire les lignes de la main votre main vous dit tout grâce à la chiromancie étude des lignes et à la chiologie étude de la forme de la main et des

lire dans votre main les guides pratiques de la v pdf 2023 - Dec 24 2022

web mar 3 2023 lire dans votre main les guides pratiques de la v pdf this is likewise one of the factors by obtaining the soft documents of this lire dans votre main les guides pratiques de la v pdf by online you might not require more become old to spend to go to the books commencement as with ease as search for them in some cases you likewise

livres de la collection guide pratique asv point veterinaire le - Jul 19 2022

web thème auxiliaire spécialisé vétérinaire asv espèces autres espèces le recueil des commémoratifs et l examen clinique de l animal ne permettent pas toujours au vétérinaire d aboutir à un diagnostic précis des examens complémentaires lui sont alors indispensables pour obtenir des renseignements précieux

lire dans votre main les guides pratiques de la v pdf full pdf - Jul 31 2023

web jun 28 2023 considering this lire dans votre main les guides pratiques de la v pdf but end stirring in harmful downloads rather than enjoying a fine pdf gone a cup of coffee in the afternoon instead they juggled in the dans votre main les guides pratiques de la v pdf is universally compatible in the same way as any devices to

lire dans votre main les guides pratiques de la v pdf pdf - Jun 29 2023

web jun 24 2023 lire dans votre main les guides pratiques de la v pdf yeah reviewing a book lire dans votre main les guides pratiques de la v pdf could be credited with your near connections listings this is just one of the solutions for you to be successful as understood finishing does not recommend that you have astounding points

lire dans votre main les guides pratiques de la v eagldemo2 - Feb 11 2022

web semet vous invite à la chiromancie forme des mains et des doigts empreintes digitales observation des monts à la base de chaque doigt et sur le côté de la main étude des quatre lignes majeures ligne de vie ligne de destinée ligne de tête et ligne de cœur et des lignes mineures datation des événements chaque étude est

longman preparation course for the toefl r test - Aug 14 2023

web nov 4 2014 topics toefl longman collection opensource material for longman toefl prepration course book audio addeddate 2014 11 04 17 04 28 identifier

longman preparation course for the toefl ibt - Jun 12 2023

web longman preparation course for the toefl ibt test kapak değışebilir kağıt kapak 15 temmuz 2014 İngilizce baskı deborah phillips eser sahibi 5 yıldız üzerinden 4 3

access free longman toefl paper based pdf free copy - Sep 22 2021

longman preparation course for the toefl test ibt student - Oct 24 2021

doc longman preparation course for the toefl - Nov 24 2021

pdf 5cd longman preparation course for the toefl ibt - Aug 02 2022

web jun 12 2023 ibt test in a shorter amount of time than standard toefl ibt test preparation textbooks complete with cd rom containing interactive practice tests and

longman preparation course for the toefl ibt test - Apr 29 2022

web shveta thakur longman preparation course for the toefl test ibt gives intermediate to high intermediate students all the tools they need to succeed on the

longman preparation course for the toefl test ibt - Mar 09 2023

web get learners ready to succeed in the toefl exams with a variety of practice tests and exam tips and strategies guide learners through toefl exam preparation with longman

longman introductory course for the toefl test ibt google - Jul 01 2022

web apr 7 2010 07 04 10 08 06 pm 1 sibelius junior member Üyelik tarihi mar 2010 mesajlar 5 rep puanı 0 longman toefl ibt second edition arkadaşlar bu kitabı satın aldım

longman toefl complete course audio archive org - Jul 13 2023

web sep 23 2007 longman preparation course for the toefl test ibt speaking with cd rom 3 audio cds and answer key 2nd edition 2nd edition by phillips author

longman preparation course for the toefl test ibt listening - Jan 07 2023

web apr 6 2017 providing both a comprehensive language skills course and a wealth of practice for all sections of the test the longman preparation course for the toefl

github decisactor toefllongmancd - Dec 26 2021

longman preparation course for the toefl test ibt speaking - Apr 10 2023

web aug 14 2012 amazon in buy longman preparation course for the toefl ibt test with cd rom answer key and itest book online at best prices in india on amazon in

longman toefl ibt second edition - Jan 27 2022

web sep 23 2007 longman preparation course for the toefl test ibt listening package student book with cd rom 6 audio cds and answer key 2nd edition by phillips

longman preparation course for the toefl ibt test kapak - Feb 08 2023

web sep 23 2007 longman preparation course for the toefl test ibt 2 0 speaking audio cds 2nd edition 2nd edition by phillips author 1 rating see all formats and editions

longman introduction and preparation for toefl pearson - Oct 04 2022

web diagnostic pre tests and post tests that allow students to identify strengths and weaknesses and assess improvement in each section practice for all four skills reading provides

buy longman preparation course for the toefl ibt - Dec 06 2022

web aug 15 2008 upon completion of the introductory course students are ready to handle the more advanced material in longman preparation course for the toefl test ibt

longman preparation course for the toefl ibt - May 11 2023

web longman preparation course for the toefl test ibt listening package student book with cd rom 6 audio cds and answer key phillips 9780132360890

pearsonelt com exams place toefl - Feb 25 2022

web sep 8 2023 barron s practice exercises for the toefl 2015 this pack consists of the longman introductory course for the toefl test ibt student book and the audio cds the

longman preparation course for the toefl test ibt 2 0 - Sep 03 2022

web aug 13 2012 longman preparation course for the toefl test ibt gives intermediate to high intermediate students all the tools they need to succeed on the toefl ibt

amazon com longman preparation course for the toefl test - Aug 22 2021

longman preparation course for toefl test google books - Mar 29 2022

web free download longman preparation course for the toefl ibt longman preparation course for the toefl ibt test 3e pdf longman

longman preparation course for the toefl test - Nov 05 2022

web longman student cd rom for the toefl test next generation ibt 0 reviews author deborah phillips computer file english cop 2006 publisher pearson education

longman student cd rom for the toefl test next generation ibt - May 31 2022

web insert the longman ibt cd rom into the cd rom drive double click on the longman ibt cd rom icon on the desktop double click on the mac os 9 x folder double

institution türkisch Übersetzung bab la deutsch türkisch - Apr 18 2022

web Übersetzung für institution im kostenlosen deutsch türkisch wörterbuch und viele weitere türkisch Übersetzungen
kulturelle prägungen wirtschaftlicher institutionen und - Nov 25 2022

web kulturelle prägungen wirtschaftlicher institutionen und wirtschaftspolitischer reformen eger thomas amazon sg books
duncker humblot berlin kulturelle prägungen wirtschaftlicher - Oct 05 2023

web kulturelle prägungen wirtschaftlicher institutionen und wirtschaftspolitischer reformen duncker humblot 2002 book doi
org 10 3790 978 3 428 51013 9

ebook kulturelle prägungen wirtschaftlicher institution - Jun 01 2023

web erklärungen um historisch kulturelle einflußfaktoren zu erweitern und durch komparative studien zu belegen digitale
Ökosysteme feb 12 2023 digitalen Ökosystemen und plattformstrukturen wird eine bedeutende entwicklung vorausgesagt

kulturelle prägungen wirtschaftlicher institutionen und - Feb 14 2022

web kulturelle prägungen wirtschaftlicher institutionen und wirtschaftspolitischer reformen mit tab abb schriften des vereins
für socialpolitik neue folge svb 291 by thomas eger keywords vereins für tab thomas 291 wirtschaftspolitischer svb
institutionen abb eger des kulturelle wirtschaftlicher reformen by schriften socialpolitik und neue folge

kulturelle prägungen wirtschaftlicher institution - Sep 04 2023

web institution kulturelle prägungen wirtschaftlicher institution book review unveiling the magic of language in a digital era
where connections and knowledge reign supreme the enchanting power of language has be apparent than ever its capability
to stir emotions provoke thought and instigate transformation is truly remarkable this

kulturelle prägungen wirtschaftlicher institution - Aug 03 2023

web 2 kulturelle prägungen wirtschaftlicher institution 2022 04 23 formalisierung bestehender informeller besitzverhältnisse
ansetzt ausgehend von den mängeln eines rein neoklassischen reformmodells verdeutlicht ein institutioneneökonomischer
ansatz welche faktoren insbesondere bei veränderungsprozessen in entwicklungsländern beachtet

kulturelle prägungen wirtschaftlicher institutionen zvb - Dec 27 2022

web kulturelle prägungen wirtschaftlicher institutionen und wirtschaftspolitischer reformen von eger thomas hg und eine
große auswahl ähnlicher bücher kunst und sammlerstücke erhältlich auf zvb com

kultur und bräuche in der türkei tÜrkei reiseportal - Jul 22 2022

web kultur und bräuche in der türkei das reiseland türkei bietet aufgrund seiner bewegenden geschichte kultururlaub vom
feinsten zahlreiche stätten und historisches kulturgut gilt es in der türkei zu entdecken und bestaunen die kulturelle struktur
der türkei reicht weit in die geschichte zurück und ist auf vielfältige kulturen

wirtschaftliche institutionen auswärtiges amt - Sep 23 2022

web deutsch türkische industrie und handelskammer ahk türkei 1994 wurde die deutsch türkische handelskammer in

istanbul gegründet sie ist in der türkei die bisher erste und zurzeit einzige bilaterale kammer nach türkischem kammergesetz
kulturelle prägungen wirtschaftlicher institution - Jun 20 2022

web kulturelle prägungen wirtschaftlicher institution 1 1 downloaded from uniport edu ng on june 16 2023 by guest
kulturelle prägungen wirtschaftlicher institution eventually you will very discover a further experience and capability by
spending more cash still

kulturelle prägungen wirtschaftlicher institution - Oct 25 2022

web kulturelle prägungen wirtschaftlicher institution reviewing kulturelle prägungen wirtschaftlicher institution unlocking
the spellbinding force of linguistics in a fast paced world fueled by information and interconnectivity the spellbinding force of
linguistics has acquired newfound prominence

kulturelle prägungen wirtschaftlicher institutionen und - Feb 26 2023

web nov 21 2002 kulturelle prägungen wirtschaftlicher institutionen und wirtschaftspolitischer reformen schriften des
vereins für socialpolitik 291 thomas eger editor 0 00

präsentation deutsch türkisch Übersetzung pons - May 20 2022

web Übersetzung deutsch türkisch für präsentation im pons online wörterbuch nachschlagen gratis vokabeltrainer
verbtabelle aussprachefunktion

kulturelle prägungen wirtschaftlicher institutionen und - Mar 18 2022

web kulturelle prägungen wirtschaftlicher institutionen und wirtschaftspolitischer reformen mit tab abb schriften des vereins
für socialpolitik neue folge sv 291 by thomas eger friedens und konfliktforschung eine einfuhrung 4 kulturelle prägungen
wirtschaftlicher institutionen und prokla50 scribd praxishandbuch außenwirtschaft erfolgskriterien im

kulturelle prägungen wirtschaftlicher institution 2023 - Apr 30 2023

web kulturelle prägungen wirtschaftlicher institutionen und wirtschaftspolitischer reformen apr 04 2023 die
unterschiedlichen transformationserfolge in den mittel und osteuropäischen

kulturelle prägungen wirtschaftlicher institutionen und - Mar 30 2023

web kulturelle prägungen wirtschaftlicher institutionen und wirtschaftspolitischer reformen mit tab abb schriften des vereins
für socialpolitik neue folge sv 291 by thomas eger orientation sutd edu sg

kulturelle prägungen wirtschaftlicher institutionen und wirtschaf - Jan 28 2023

web kulturelle prägungen wirtschaftlicher institutionen und wirtschaftspolitischer reformen kulturelle prägungen
wirtschaftlicher institutionen und wirtschaftspoli product

referat kultur auswärtiges amt - Aug 23 2022

web ferner organisiert das kulturelle referat regelmäßig konzerte lesungen empfänge etc in den repräsentativen historischen

räumen des generalkonsulats vor allem um den austausch zwischen zivilgesellschaftlichen akteuren vor ort zu intensivieren
gleichzeitig aber auch um deutscher und deutsch türkischer kultur eine bühne zu bieten

kulturelle prägungen wirtschaftlicher institutionen und - Jul 02 2023

web kulturelle prägungen wirtschaftlicher institutionen und wirtschaftspolitischer reformen worldcat org