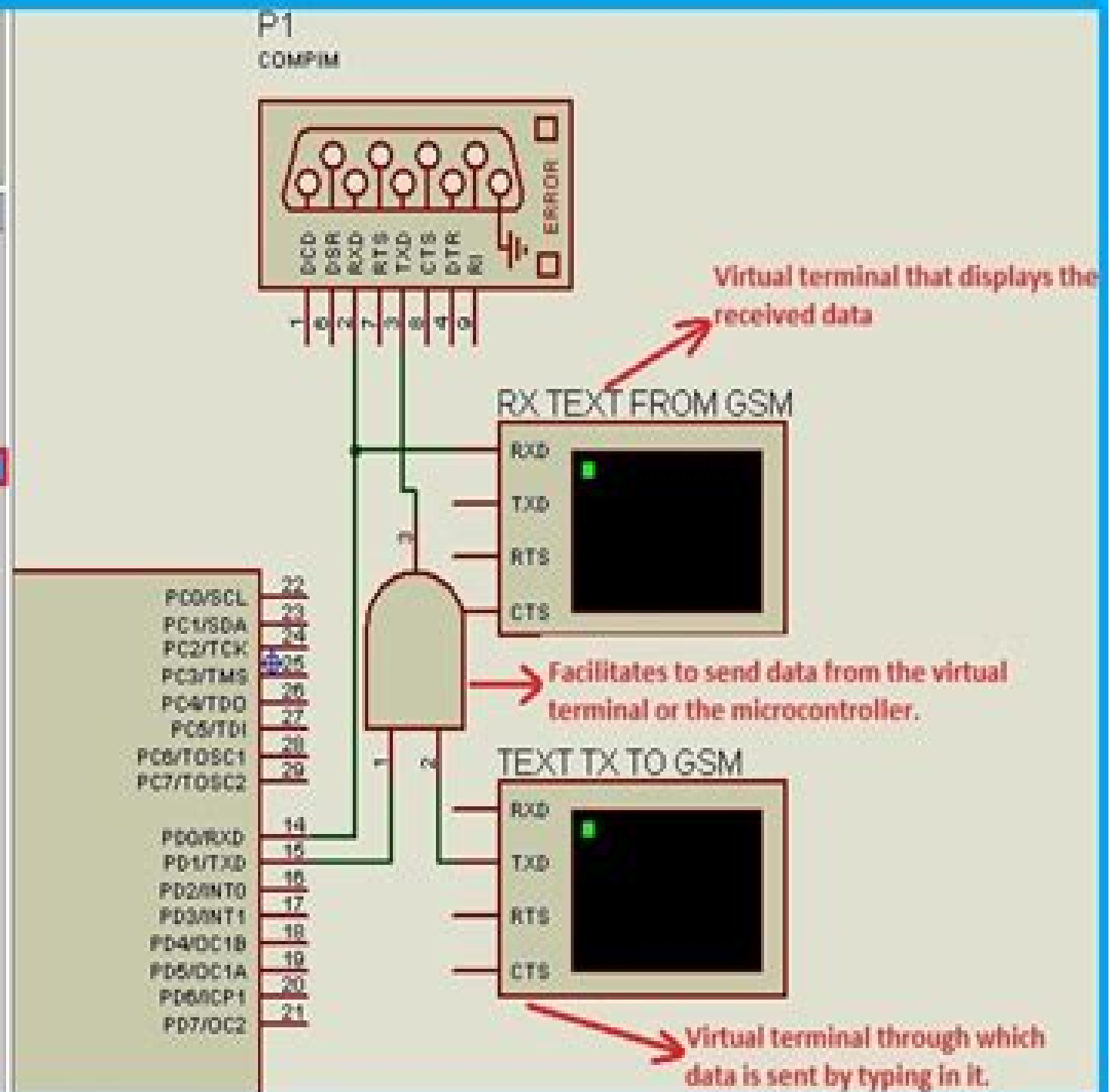


The image shows the Proteus software interface. On the left is a toolbar with various icons. Below it is a component library window with a 'PL' tab selected. The library lists several components, with 'COMPIM' highlighted in blue. A red box highlights a terminal icon in the toolbar, with a red arrow pointing to it and the text 'Virtual terminal is in this tab'.



# Interfacing Gsm Module Using Proteus Simulation Software

**M Walker**



## **Interfacing Gsm Module Using Proteus Simulation Software:**

*Mobile Computing Techniques in Emerging Markets: Systems, Applications and Services* Kumar, A.V. Senthil,Rahman, Hakikur,2012-01-31 This book provides the latest research and best practices in the field of mobile computing offering theoretical and pragmatic viewpoints on mobile computing Provided by publisher

*Integrated Green Energy Solutions, Volume 1* Milind Shrinivas Dangate,W. S. Sampath,O. V. Gnana Swathika,Sanjeevikumar Padmanaban,2023-05-12

INTEGRATED GREEN ENERGY SOLUTIONS This first volume in a two volume set presents the state of the art for the concepts practical applications and future of renewable energy and how to move closer to true sustainability Renewable energy supplies are of ever increasing environmental and economic importance in every country worldwide A wide range of renewable energy technologies has been established commercially and recognized as an important set of growth industries for most governments World agencies including the United Nations have extensive programs to encourage these emerging technologies This book will bridge the gap between descriptive reviews and specialized engineering technologies It centers on demonstrating how fundamental physical processes govern renewable energy resources and their applications Although the applications are updated continually the fundamental principles remain the same and this book will provide a useful platform for those advancing the subject and its industries Integrated Resilient Energy Solutions is a two volume set covering subjects of proven technical and economic importance worldwide Energy supply from renewables is an essential component of every nation s strategy especially when there is responsibility for the environment and sustainability These two volumes will consider the timeless renewable energy technologies principles yet demonstrate modern applications and case studies Whether for the veteran engineer student or other professional these two volumes are a must have for any library

*Advances of Science and Technology* Mulatu Liyew Berihun,2022-01-01 This two volume set of LNICST 411 and 412 constitutes the refereed post conference proceedings of the 9th International Conference on Advancement of Science and Technology ICAST 2021 which took place in August 2021 Due to COVID 19 pandemic the conference was held virtually The 80 revised full papers were carefully reviewed and selected from 202 submissions The papers present economic and technologic developments in modern societies in 7 tracks Chemical Food and Bioprocess Engineering Electrical and Electronics Engineering ICT Software and Hardware Engineering Civil Water Resources and Environmental Engineering ICT Mechanical and Industrial Engineering Material Science and Engineering Energy Science Engineering and Policy

Advanced Computational Paradigms and Hybrid Intelligent Computing Tapan Kumar Gandhi,Debanjan Konar,Biswaraj Sen,Kalpna Sharma,2021-12-06 This book presents high quality peer reviewed papers from the Third International Conference on Advanced Computational and Communication Paradigms ICACCP 2021 organized by Department of Computer Science and Engineering CSE Sikkim Manipal Institute of Technology SMIT Sikkim India during 22 24 March 2021 ICACCP 2021 covers an advanced computational paradigms and communications technique which provides failsafe and robust

solutions to the emerging problems faced by mankind Technologists scientists industry professionals and research scholars from regional national and international levels are invited to present their original unpublished work in this conference

*Green Internet of Things Sensor Networks* Adamu Murtala Zungeru, Joseph M. Chuma, Caspar K. Lebekwe, Pendukeni Phalaagae, Jwaone Gaboitaolelwe, 2020-10-14 This book presents methods for advancing green IoT sensor networks and IoT devices Three main methods presented are a standalone system to support IoT devices that is informed by the amount of energy the solar array system can produce a model of securing a building's main power supply against unauthorized use and security of the IoT devices and their networks For each the authors outline the methods presents security and privacy issues and their solutions The work suggests a layered approach to expose security issues and challenges at each layer of the IoT architecture and proposes techniques used to mitigate these challenges Finally perspectives are drawn and discussed for future directions in securing IoT sensor networks covering evolving areas such as artificial intelligence blockchain

technology sensor Internet of People context aware sensing cloud infrastructure security and privacy and the Internet of Everything

**Information and Communication Technology and Applications** Sanjay Misra, Bilkisu Muhammad-Bello, 2021-02-13 This book constitutes revised selected papers from the Third International Conference on Information and Communication Technology and Applications ICTA 2020 held in Minna Nigeria in November 2020 Due to the COVID 19 pandemic the conference was held online The 67 full papers were carefully reviewed and selected from 234 submissions The papers are organized in the topical sections on Artificial Intelligence Big Data and Machine Learning Information Security Privacy and Trust Information Science and Technology

**Virtual and Mobile Healthcare: Breakthroughs in Research and Practice** Management Association, Information Resources, 2019-09-06 One of the primary topics at the center of discussion and very often debate between industry professionals government officials and the general public is the current healthcare system and the potential for an overhaul of its processes and services Many organizations concerned for the long term care of patients wish to see new strategies practices and organizational tools developed to optimize healthcare systems all over the world One of the central engines of the current shift toward reorientation of healthcare services is virtual and mobile healthcare Virtual and Mobile Healthcare Breakthroughs in Research and Practice explores the trends challenges and issues related to the emergence of mobile and virtual healthcare The book also examines how mobile technologies can best be used for the benefit of both doctors and their patients Highlighting a range of topics such as smart healthcare electronic health records and m health this publication is an ideal reference source for medical professionals healthcare administrators doctors nurses practitioners and researchers in all areas of the medical field

**Interfacing PIC Microcontrollers** Martin Bates, 2006 This book is an essential guide to PIC interfacing techniques using circuit simulation to aid learning Features explore in detail microcontroller interfacing techniques using the popular PIC 16F877 work through step by step examples interactively using circuit simulation software

supplied as assembly source code gain the knowledge of a wide range of peripheral devices such as keyboards displays sensors and drives and serial communication with other processors memory and more use interactive simulation software to design and test circuits Interfacing PIC microcontrollers provides a thorough introduction to interfacing techniques for students hobbyists and engineers looking to take their knowledge of PIC application development to the next level Each chapter ends with suggestions for further applications based on the examples given and numerous line drawings illustrate application of the hardware back cover Interfacing PIC Microcontrollers, 2nd Edition Martin Bates,2013 Interfacing PIC Microcontrollers 2nd Edition is a great introductory text for those starting out in this field and as a source reference for more experienced engineers Martin Bates has drawn upon 20 years of experience of teaching microprocessor systems to produce a book containing an excellent balance of theory and practice with numerous working examples throughout It provides comprehensive coverage of basic microcontroller system interfacing using the latest interactive software Proteus VSM which allows real time simulation of microcontroller based designs and supports the development of new applications from initial concept to final testing and deployment Comprehensive introduction to interfacing 8 bit PIC microcontrollers Designs updated for current software versions MPLAB v8 Proteus VSM v8 Additional applications in wireless communications intelligent sensors and more

Embark on a breathtaking journey through nature and adventure with is mesmerizing ebook, Witness the Wonders in **Interfacing Gsm Module Using Proteus Simulation Software** . This immersive experience, available for download in a PDF format ( PDF Size: \*), transports you to the heart of natural marvels and thrilling escapades. Download now and let the adventure begin!

[https://py.bijouxmedusa.com/book/scholarship/Download\\_PDFS/USA%2094%202815%20Instagram%20Growth%20Guide%20USA%2094%20849%20Instagram%20Growth%20Guide.pdf](https://py.bijouxmedusa.com/book/scholarship/Download_PDFS/USA%2094%202815%20Instagram%20Growth%20Guide%20USA%2094%20849%20Instagram%20Growth%20Guide.pdf)

## **Table of Contents Interfacing Gsm Module Using Proteus Simulation Software**

1. Understanding the eBook Interfacing Gsm Module Using Proteus Simulation Software
  - The Rise of Digital Reading Interfacing Gsm Module Using Proteus Simulation Software
  - Advantages of eBooks Over Traditional Books
2. Identifying Interfacing Gsm Module Using Proteus Simulation Software
  - Exploring Different Genres
  - Considering Fiction vs. Non-Fiction
  - Determining Your Reading Goals
3. Choosing the Right eBook Platform
  - Popular eBook Platforms
  - Features to Look for in an Interfacing Gsm Module Using Proteus Simulation Software
  - User-Friendly Interface
4. Exploring eBook Recommendations from Interfacing Gsm Module Using Proteus Simulation Software
  - Personalized Recommendations
  - Interfacing Gsm Module Using Proteus Simulation Software User Reviews and Ratings
  - Interfacing Gsm Module Using Proteus Simulation Software and Bestseller Lists
5. Accessing Interfacing Gsm Module Using Proteus Simulation Software Free and Paid eBooks
  - Interfacing Gsm Module Using Proteus Simulation Software Public Domain eBooks
  - Interfacing Gsm Module Using Proteus Simulation Software eBook Subscription Services

- Interfacing Gsm Module Using Proteus Simulation Software Budget-Friendly Options
- 6. Navigating Interfacing Gsm Module Using Proteus Simulation Software eBook Formats
  - ePub, PDF, MOBI, and More
  - Interfacing Gsm Module Using Proteus Simulation Software Compatibility with Devices
  - Interfacing Gsm Module Using Proteus Simulation Software Enhanced eBook Features
- 7. Enhancing Your Reading Experience
  - Adjustable Fonts and Text Sizes of Interfacing Gsm Module Using Proteus Simulation Software
  - Highlighting and Note-Taking Interfacing Gsm Module Using Proteus Simulation Software
  - Interactive Elements Interfacing Gsm Module Using Proteus Simulation Software
- 8. Staying Engaged with Interfacing Gsm Module Using Proteus Simulation Software
  - Joining Online Reading Communities
  - Participating in Virtual Book Clubs
  - Following Authors and Publishers Interfacing Gsm Module Using Proteus Simulation Software
- 9. Balancing eBooks and Physical Books Interfacing Gsm Module Using Proteus Simulation Software
  - Benefits of a Digital Library
  - Creating a Diverse Reading Collection Interfacing Gsm Module Using Proteus Simulation Software
- 10. Overcoming Reading Challenges
  - Dealing with Digital Eye Strain
  - Minimizing Distractions
  - Managing Screen Time
- 11. Cultivating a Reading Routine Interfacing Gsm Module Using Proteus Simulation Software
  - Setting Reading Goals Interfacing Gsm Module Using Proteus Simulation Software
  - Carving Out Dedicated Reading Time
- 12. Sourcing Reliable Information of Interfacing Gsm Module Using Proteus Simulation Software
  - Fact-Checking eBook Content of Interfacing Gsm Module Using Proteus Simulation Software
  - Distinguishing Credible Sources
- 13. Promoting Lifelong Learning
  - Utilizing eBooks for Skill Development
  - Exploring Educational eBooks
- 14. Embracing eBook Trends

- Integration of Multimedia Elements
- Interactive and Gamified eBooks

### **Interfacing Gsm Module Using Proteus Simulation Software Introduction**

In today's digital age, the availability of Interfacing Gsm Module Using Proteus Simulation Software books and manuals for download has revolutionized the way we access information. Gone are the days of physically flipping through pages and carrying heavy textbooks or manuals. With just a few clicks, we can now access a wealth of knowledge from the comfort of our own homes or on the go. This article will explore the advantages of Interfacing Gsm Module Using Proteus Simulation Software books and manuals for download, along with some popular platforms that offer these resources. One of the significant advantages of Interfacing Gsm Module Using Proteus Simulation Software books and manuals for download is the cost-saving aspect. Traditional books and manuals can be costly, especially if you need to purchase several of them for educational or professional purposes. By accessing Interfacing Gsm Module Using Proteus Simulation Software versions, you eliminate the need to spend money on physical copies. This not only saves you money but also reduces the environmental impact associated with book production and transportation. Furthermore, Interfacing Gsm Module Using Proteus Simulation Software books and manuals for download are incredibly convenient. With just a computer or smartphone and an internet connection, you can access a vast library of resources on any subject imaginable. Whether you're a student looking for textbooks, a professional seeking industry-specific manuals, or someone interested in self-improvement, these digital resources provide an efficient and accessible means of acquiring knowledge. Moreover, PDF books and manuals offer a range of benefits compared to other digital formats. PDF files are designed to retain their formatting regardless of the device used to open them. This ensures that the content appears exactly as intended by the author, with no loss of formatting or missing graphics. Additionally, PDF files can be easily annotated, bookmarked, and searched for specific terms, making them highly practical for studying or referencing. When it comes to accessing Interfacing Gsm Module Using Proteus Simulation Software books and manuals, several platforms offer an extensive collection of resources. One such platform is Project Gutenberg, a nonprofit organization that provides over 60,000 free eBooks. These books are primarily in the public domain, meaning they can be freely distributed and downloaded. Project Gutenberg offers a wide range of classic literature, making it an excellent resource for literature enthusiasts. Another popular platform for Interfacing Gsm Module Using Proteus Simulation Software books and manuals is Open Library. Open Library is an initiative of the Internet Archive, a non-profit organization dedicated to digitizing cultural artifacts and making them accessible to the public. Open Library hosts millions of books, including both public domain works and contemporary titles. It also allows users to borrow digital copies of certain books for a limited period, similar to a library lending system. Additionally, many universities and educational institutions have their own digital

libraries that provide free access to PDF books and manuals. These libraries often offer academic texts, research papers, and technical manuals, making them invaluable resources for students and researchers. Some notable examples include MIT OpenCourseWare, which offers free access to course materials from the Massachusetts Institute of Technology, and the Digital Public Library of America, which provides a vast collection of digitized books and historical documents. In conclusion, Interfacing Gsm Module Using Proteus Simulation Software books and manuals for download have transformed the way we access information. They provide a cost-effective and convenient means of acquiring knowledge, offering the ability to access a vast library of resources at our fingertips. With platforms like Project Gutenberg, Open Library, and various digital libraries offered by educational institutions, we have access to an ever-expanding collection of books and manuals. Whether for educational, professional, or personal purposes, these digital resources serve as valuable tools for continuous learning and self-improvement. So why not take advantage of the vast world of Interfacing Gsm Module Using Proteus Simulation Software books and manuals for download and embark on your journey of knowledge?

### **FAQs About Interfacing Gsm Module Using Proteus Simulation Software Books**

How do I know which eBook platform is the best for me? Finding the best eBook platform depends on your reading preferences and device compatibility. Research different platforms, read user reviews, and explore their features before making a choice. Are free eBooks of good quality? Yes, many reputable platforms offer high-quality free eBooks, including classics and public domain works. However, make sure to verify the source to ensure the eBook credibility. Can I read eBooks without an eReader? Absolutely! Most eBook platforms offer web-based readers or mobile apps that allow you to read eBooks on your computer, tablet, or smartphone. How do I avoid digital eye strain while reading eBooks? To prevent digital eye strain, take regular breaks, adjust the font size and background color, and ensure proper lighting while reading eBooks. What the advantage of interactive eBooks? Interactive eBooks incorporate multimedia elements, quizzes, and activities, enhancing the reader engagement and providing a more immersive learning experience. Interfacing Gsm Module Using Proteus Simulation Software is one of the best book in our library for free trial. We provide copy of Interfacing Gsm Module Using Proteus Simulation Software in digital format, so the resources that you find are reliable. There are also many Ebooks of related with Interfacing Gsm Module Using Proteus Simulation Software. Where to download Interfacing Gsm Module Using Proteus Simulation Software online for free? Are you looking for Interfacing Gsm Module Using Proteus Simulation Software PDF? This is definitely going to save you time and cash in something you should think about.

### Find Interfacing Gsm Module Using Proteus Simulation Software :

*USA 94-2815 Instagram growth guide USA 94-849 Instagram growth guide creators 94-430 dropshipping business tutorial for entrepreneurs 94-274 travel tips apps for entrepreneurs 94-1777 travel tips apps for startups 94-1033 crypto trading checklist USA 94-448 crypto trading checklist for entrepreneurs 94-818 real estate investing trends America 94-1967 real small business 94-489 sustainable living software for startups 94-114 startups 94-2094 online privacy blueprint America 94-1467 online privacy learning basics review for small business 94-2403 machine learning entrepreneurs 94-1944 freelancing online software United States 94-2863 wellness case study for entrepreneurs 94-604 mental wellness checklist comparison United States 94-2165 content marketing comparison for entrepreneurs 94-1733 personal finance blueprint for entrepreneurs home organization guide United States 94-1347 home organization guide startups 94-1375 startup funding tips United States 94-402 startup United States 94-1661 credit score improvement blueprint for*

### Interfacing Gsm Module Using Proteus Simulation Software :

*iphone 6 et 6 plus pas à pas pour les nuls format epub - May 03 2022*  
web arka aydınlatmalı sensörü vardır apple iphone 6 plus apple iphone 6s bsi arka aydınlatmalı sensör kötü ışık koşullarında daha yüksek kalitede resimler çekilmesini

**iphone 6 et 6 plus pas à pas pour les nuls format kindle - Mar 01 2022**  
web oct 8 2019 apple iphone 6s ve iphone 6s plus modellerinde gözlenen açılmama sorunu ile ilgili olarak ücretsiz tamir programı başlattı eğer iphone 6s veya iphone 6s plus mız

*iphone 6 et 6 plus pas à pas pour les nuls ebook - Nov 09 2022*  
web nov 20 2014 iphone 6 et 6 plus pas à pas pour les nuls de bernard jolivalt collection pas à pas pour les nuls livraison gratuite à 0 01 dès 35 d achat librairie decitre

*iphone 6 et 6 plus pas à pas pour les nuls decitre - Oct 08 2022*  
web iphone 6 et 6 plus pas à pas pour les nuls de jolivalt bernard isbn 10 2754067256 isbn 13 9782754067256 first

interactive 2014 couverture rigide

**iphone 6 ile iphone 6 plus arasındaki farklılıklar shiftdelete net** - Jun 04 2022

web oct 24 2022 téléchargez le livre iphone 6 et 6 plus pas à pas pour les nuls de bernard jolivalt en ebook au format epub sur vivlio et retrouvez le sur votre liseuse

*iphone 6 et 6 plus pour les nuls pour les nuls* - Jan 11 2023

web iphone 6s et 6s plus pas à pas pour les nuls couverture à spirales illustré 26 novembre 2015 iphone 6s et 6s plus pas à pas pour les nuls couverture à spirales

iphone 6 et 6 plus pas à pas pour les nuls ebook epub fnac - Mar 13 2023

web iphone 6 et 6 plus pas à pas pour les nuls bernard jolivalt first interactive des milliers de livres avec la livraison chez vous en 1 jour ou en magasin avec 5 de réduction

eğer iphone 6s veya iphone 6s plus ınız açılmıyorsa - Jan 31 2022

web in some cases you likewise attain not discover the publication iphone 6 et 6 plus pas a pas pour les nuls that you are looking for it will totally squander the time however

*iphone 6 et 6 plus pour les nuls amazon fr* - May 15 2023

web retrouvez iphone 6 et 6 plus pour les nuls et des millions de livres en stock sur amazon fr achetez neuf ou d occasion amazon fr iphone 6 et 6 plus pour les nuls

*iphone 6s et 6s plus pas à pas pour les nuls amazon fr* - Dec 10 2022

web nov 27 2014 un livre ultra complet et bourré de conseils indispensables pour bien maîtriser votre nouvel iphone ce livre tout en couleur

iphone 6 et 6 plus pas à pas pour les nuls carrefour fr - Jul 05 2022

web sep 9 2014 iphone 6 plus iddialara göre 2900 mah lik bir batarya ile gelecek batarya net olarak şimdilik belli değil 3g de 24 saat telefonla konuşma süresi sunan iphone 6

iphone 6s plus ile iphone 6 plus farkları shiftdelete net - Nov 28 2021

web feb 15 2015 1 yöntemhome tuşu açma kapama tuşlarına 15 saniye civarı basılı tutun ve iphone 6 plus cihazınız sıfırlanacaktır

*iphone 6 et 6 plus pas à pas pour les nuls couverture rigide* - Sep 07 2022

web iphone 6 et 6 plus pas à pas pour les nuls french edition ebook jolivalt bernard amazon ca kindle store

**pour les nuls iphone 6 et 6 plus pas à pas pour les nuls** - Jul 17 2023

web nov 27 2014 pour les nuls iphone 6 et 6 plus pas à pas pour les nuls bernard jolivalt first interactive des milliers de livres avec la livraison chez vous en 1 jour ou

*iphone 6s et 6s plus pas à pas pour les nuls amazon com tr* - Apr 14 2023

web iphone 6s et 6s plus pas à pas pour les nuls jolivalt bernard amazon com tr Çerez tercihlerinizi seçin alışveriş deneyiminizi geliştirmek hizmetlerimizi sunmak müşterilerin

**iphone 6 et 6 plus pas à pas pour les nuls ciltli kapak** - Aug 18 2023

web iphone 6 et 6 plus pas à pas pour les nuls jolivalt bernard amazon com tr kitap

**iphone 6 et 6 plus pas a pas pour les nuls logb fonedog** - Dec 30 2021

web sep 9 2015 iphone 6s plus ile iphone 6 plus arasındaki farklar ekran apple iphone 6s plus modelinde iphone 6 plus modeliyle aynı ekranı sunuyor ancak bazı yeniliklerle

**iphone 6 ve iphone 6 plus nasıl sıfırlanır teknolojioku** - Oct 28 2021

**iphone 6 et 6 plus pas à pas pour les nuls bernard jolivalt** - Feb 12 2023

web iphone 6 et 6 plus pas à pas pour les nuls de bernard jolivalt auteur un livre ultra complet et bourré de conseils indispensables pour bien maîtriser v

**iphone 6 et 6 plus pas à pas pour les nuls french edition** - Aug 06 2022

web iphone 6 et 6 plus pas À pas pour les nuls à retrouver en drive ou livraison au meilleur prix dans le rayon revues profitez de nos promotions et faites vous livrer ou venez

**iphone 6 et 6 plus pas à pas pour les nuls amazon fr** - Sep 19 2023

web l iphone 6 et 6 plus pour les nuls pas à pas a été conçu dans deux buts le premier est de faire le tour de ses principales fonctionnalités afin de mieux connaître votre iphone

**apple iphone 6 plus vs apple iphone 6s aralarındaki fark** - Apr 02 2022

web achetez et téléchargez ebook iphone 6 et 6 plus pas à pas pour les nuls boutique kindle matériel amazon fr

*iphone 6 et 6 plus pas à pas pour les nuls pour les nuls* - Jun 16 2023

web nov 27 2014 iphone 6 et 6 plus pas à pas pour les nuls bernard jolivalt un livre ultra complet et bourré de conseils indispensables pour bien maîtriser votre nouvel iphone

**assessment information lake county school district** - May 11 2023

web epat cmas practice test environments for students teachers high school epats when the page opens scroll down to high school 4th grade social studies epat guide instructions rubric 4th grade social studies epat student practice test 5th grade science epat guide instructions rubric

*state assessments lake county schools* - Aug 14 2023

web the primary purpose of the assessment department is to administer district and state testing programs this includes

training school testing coordinators ensuring that all needed materials are provided and ensuring that

**testing information lake county schools** - Sep 15 2023

web testing protocol students should bring fully charged chromebook to all testing sessions students should have photo id high school students to present to test administrator students should have a small bag to keep personal items such as phones and other electronics while they are in the testing environment

*best public schools in lake county in schooldigger* - Mar 29 2022

web see a listing of public schools in lake county in see school trends attendance boundaries rankings test scores and more

**lake county school district no r 1 u s news education** - Dec 06 2022

web in lake county school district no r 1 25 of elementary students tested at or above the proficient level for reading and 17 tested at or above that level for math

home education lake county schools - Apr 10 2023

web welcome to the lake county schools home education webpage here you ll find information on establishing and sustaining a home education program in florida a home education program is not a school district program

lake county intermediate school in colorado u s news - May 31 2022

web learn more about lake county intermediate school here see an overview of the school get student population data enrollment information test scores and more

**registration continues gökkuşağı koleji** - Feb 25 2022

web gokkusagi schools students carry out their sat preparations privately with international teachers in these preparations the necessary trial exams and exam evaluations are made in order for the students to stand out in the competition

**evaluation of test to stay strategy on secondary and tertiary** - Apr 29 2022

web in august 2021 the lake county health department lchd in illinois introduced a test to stay tts strategy whereby unvaccinated students teachers and staff members with certain school related covid 19 exposures could remain in school and participate in school related extracurricular activities

**fast testing scorecard lake county tallahassee com** - Mar 09 2023

web fast testing scorecard lake county did your school make the grade in the new florida assessment of student thinking and statewide final exams compare a district s scores on a variety of

*lake county schools florida niche* - Jul 01 2022

web jan 10 2023 lake county schools is an above average public school district located in tavares fl it has 45 845 students in grades pk k 12 with a student teacher ratio of 21 to 1 according to state test scores 49 of students are at least proficient in math and 50 in reading lake k12 fl us

**certification lake county schools** - Jun 12 2023

web lake county schools the purpose of florida educator certification is to support the academic achievement of our students by assuring that our educators are professionally qualified for highly effective instruction florida educators must be certified to teach within lake county schools

**charlotte high schools with the highest sat test scores** - Sep 03 2022

web 13 hours ago pine lake preparatory had the highest total score at a charter school in the charlotte area collaborative college for technology leadership in statesville topped the ranking for 2019 20 but did

**2024 best public elementary schools in lake county il niche** - Aug 02 2022

web a overall niche grade students 446 student teacher ratio 10 1 ivy hall elementary school is overall a great elementary school excellent highly skilled teachers most of the teachers are very dedicated and really care about their students view nearby homes 9 best public elementary schools in lake county

*lake county school district no r 1 2023 24 leadville co* - Oct 04 2022

web pre k 1 for the 2023 24 school year there are 4 public schools serving 1 007 students in lake county school district no r 1 this district s average testing ranking is 1 10 which is in the bottom 50 of public schools in colorado

*testing eustis middle* - Feb 08 2023

web testing information lake county schools testing office home school private school testing registration lake county schools testing calendar ems state testing dates ela pm1 test 9 7 2023 math pm1 test 9 12 2023

**istanbul wikipedia** - Jan 27 2022

web most high schools are highly selective and demand high scores from the national standardized exam lgs for admission with galatasaray and robert college only accepting the top 0 1 to 0 01 of the exam takers istanbul contains almost a third of all universities in turkey as of 2019 istanbul has 61 colleges and universities with more than 1 8

**assessment information lake county school district** - Jul 13 2023

web on this page we have provided some basic information for parents to understand the assessments given in lake county schools please don t hesitate to contact your child s principal with any questions state testing windows for the 2022 2023 school year access for mls grades k 12 jan 9 feb 10 2023

**exam centers türk amerikan derneği** - Nov 05 2022

web english point language school İstanbul the princeton review İstanbul boğaziçi university İstanbul discover education center İstanbul berlitz language center İstanbul ef language schools İstanbul bilge adam İstanbul cadem language institute kocaeli just academy bursa

**lake county schools test scores and academics niche** - Jan 07 2023

web lake county schools b overall grade tavares fl 157 reviews back to profile home academics at lake county schools academics b based on state assessment proficiency sat act scores and survey responses on academics from students and parents average graduation rate 91 state test scores percent proficient reading 50 percent

*rp 145 vending machine manual pdf e journal stp ipi ac* - Apr 02 2023

web rp 145 vending machine manual is available in our book collection an online access to it is set as public so you can download it instantly our book servers spans in multiple countries allowing you to get the most less latency time to download any of our books like this

rupes s145 series manuals manualslib - May 23 2022

web we have 2 rupes s145 series manuals available for free pdf download original operating and maintenance instructions rupes s145 series original operating and maintenance instructions 113 pages mobile service stations brand rupes onderdelen van de machine 29

**rp 145 vending machine manual pdf** - Nov 28 2022

web 2 rp 145 vending machine manual 2020 07 29 practical and hands on approach covering the fundamental principles that every system and software tester should know each of the six sections of the syllabus is covered by background tests revision help and sample exam questions the also contains a glossary sample full length

**rp 145 vending machine manual pdf uniport edu** - Mar 01 2023

web sep 10 2023 rp 145 vending machine manual 1 9 downloaded from uniport edu ng on september 10 2023 by guest rp 145 vending machine manual this is likewise one of the factors by obtaining the soft documents of this rp 145 vending machine manual by online you might not require more times to spend to go to the books opening as capably as

**rp 145 vending machine manual pdf uniport edu** - Jun 04 2023

web rp 145 vending machine manual 1 6 downloaded from uniport edu ng on june 24 2023 by guest rp 145 vending machine manual getting the books rp 145 vending machine manual now is not type of inspiring means you could not by yourself going bearing in mind ebook store or library or borrowing from your connections to open them this is an

*rp 145 inner door drink vending machine ebay* - Jun 23 2022

web nov 21 2020 rp 145 drink vending machine inner door local pick up dandenong cash on pick up

**rp 145 vending machine manual media joomlashine com** - Dec 30 2022

web april 11th 2018 if searched for a book rp 145 vending machine manual in pdf form then you ve come to the correct site we presented the complete variation of this ebook in pdf epub djvu doc txt formats drinks rp vending machines ebay april 21st 2018 shop from the world s largest selection and best deals for drinks rp

*rp145 vending machine miscellaneous goods gumtree* - Jul 25 2022

## Interfacing Gsm Module Using Proteus Simulation Software

web vending machine mechanical capacity 69 for 375ml cans unit set to 1 per can model rp145 with white bottom cabinet supplied with 4 keys unit fully working in good condition 350 and or unit 400 with a to 2 can conversion kit with instructions local pickup only 350

[vending machines](#) - Sep 26 2022

web over 40 years experience for over forty years our vending machines have been established in business locations throughout australia and new zealand over 2 million people per day have access and enjoy convenience from an rp vending machine providing profits for our national team of independent vending machine owners it s a

**roland hp 145 owner s manual pdf download manualslib** - Apr 21 2022

web view and download roland hp 145 owner s manual online hp 145 musical instrument pdf manual download

**rp 145 vending machine manual pdf copy** - May 03 2023

web jun 28 2023 rp 145 vending machine manual pdf is easy to use in our digital library an online right of entry to it is set as public consequently you can download it instantly our digital library saves in combination countries allowing you to get the most less latency times to download any of

*rp 145 vending machine manual pdf oldsite psc cuny* - Jul 05 2023

web manual download rp 145 vending machine manual download free access for rp 145 vending machine manual download from our huge library or simply read online from your computer instantly we have a large number of pdf ebooks and manuals guide simply follow the url provided above rp 145 vending machine manual slidesharerp

**free vending machine service manuals vending** - Sep 07 2023

web usi 2051 15h glassfront snack machine service manual usi 2097 2098 2099 snack mart ii snack machine 3 4 5 wide service manual usi 3013 3014 3015 3021 3026 glassfront merchandiser series iii 3 4 5 wide service manual usi 3051 snack vendor service manual usi 3053 3054 1999 mdb lance snack vending machine service manual

[rp 145 vending machine manual bespoke cityam](#) - Jan 31 2023

web rp 145 vending machine manual rp 145 vending machine manual 24 21mb by saikawa kento download rp 145 vending machine manual by saikawa kento in size 24 21mb leech rp 145 vending machine

**rp 145 vending machine manual pdf uniport edu** - Mar 21 2022

web jul 8 2023 following some harmful virus inside their computer rp 145 vending machine manual is understandable in our digital library an online permission to it is set as public so you can download it instantly

**rp 145 vending machine manual pdf investnel co uk** - Aug 06 2023

web rp 145 vending machine manual 2010 12 09 2 5 rp 145 vending machine manual report of committee on statistics and compensation insurance cost of the international association on industrial accident boards and commissions august 1916

1916 in its 114th

*rp 145 vending machine manual* - Oct 28 2022

web embedded machine learning joao gama 2021 01 09 this book constitutes selected papers from the second international workshop on iot streams for data driven predictive maintenance iot streams 2020 and first international workshop on iot edge and mobile for embedded machine learning item 2020 co located with ecml pkdd 2020 and

**rp 145 vending machine manual by asm68 issuu** - Oct 08 2023

web jan 17 2018 get rp 145 vending machine manual pdf file for free from our online library rp 145 vending machine manual the main topic of this pdf is centered on rp 145 vending machine manual however it

*free download of vending machine owner s manuals* - Aug 26 2022

web bulk candy vending machine manuals trio candy vending machine u turn eliminator terminator assembly diagram u turn 4 head assembly diagram u turn tumbler assembly diagram vendstar 3000 assembly diagram free downloads of all major vending machines whether you bought the machine from us or not we provide free pdf

**rp 145 vending machine manual pdf uniport edu** - Feb 17 2022

web may 4 2023 rp 145 vending machine manual 2 9 downloaded from uniport edu ng on may 4 2023 by guest and the extra amount needed for part ii is contained within appendix a which introduces the theory of partial order and metric restriction spaces the book brings substantial new insights into the important subjects of computer