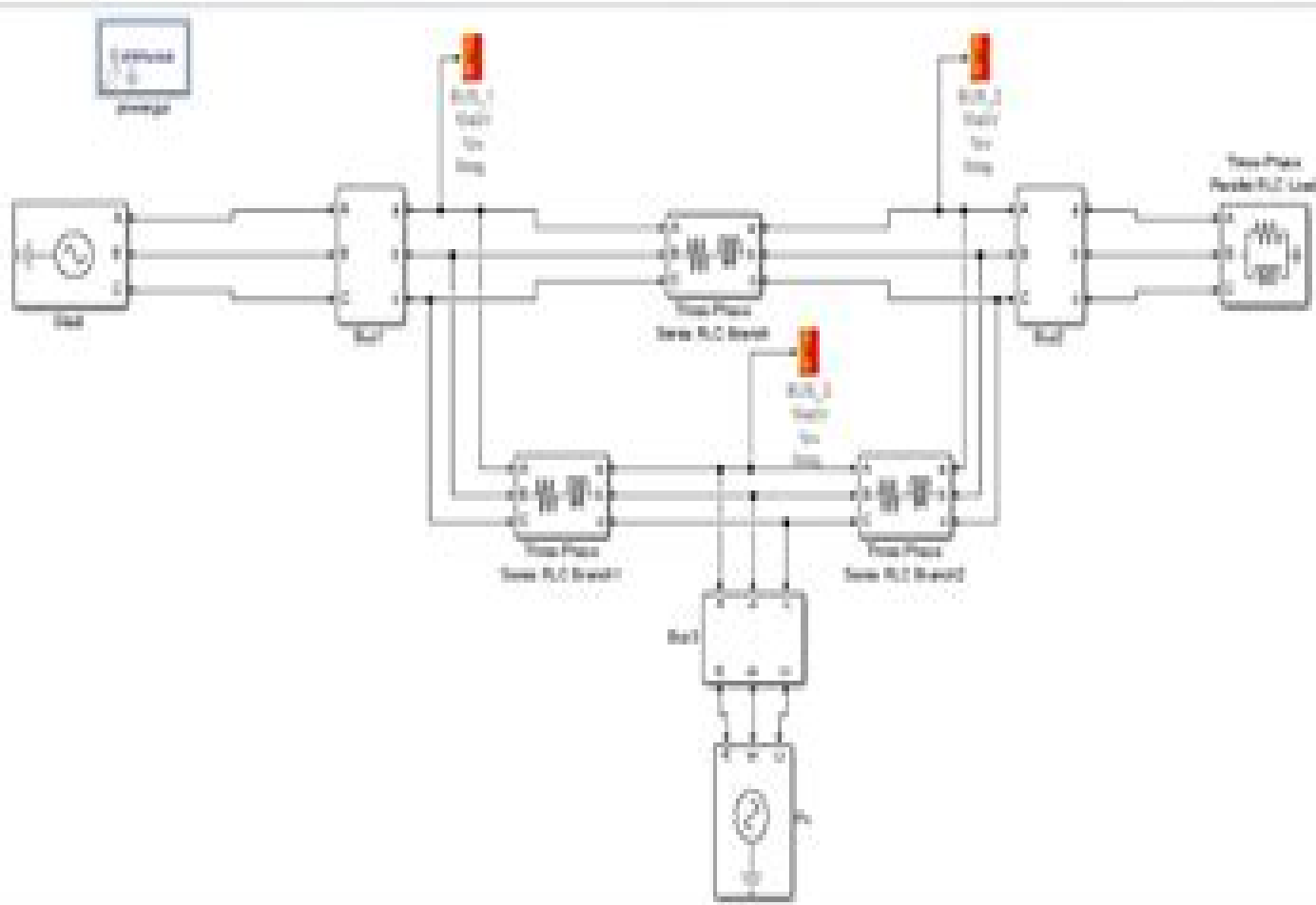


Block type	Bus type	Bus ID	Year (Y)	Vol (kV)	Angle (deg)	P (MW)	Q (Mvar)	Gen (MW)	Qgen (Mvar)	V,UF (pu)	Angle,UF (deg)	P,UF (MW)	Q,UF (Mvar)	Block Name
1	Yeast	bus0_1	10.00	1.0000	0.00	0.00	0.00	-0.00	0.00	1.0000	0.00	-179.79	107.94	Slack
2	R/C load op	bus_2	10.00	1	0.00	100.00	100.00	-0.00	0.00	0.9997	1.90	100.00	100.00	Three-Phase Parallel R/C Load
3	Yeast	bus_3	10.00	1.0000	0.00	0.00	0.00	-0.00	0.00	1.0000	0.00	0.00	0.00	Bus



Load Flow Analysis Using Matlab Thesis

S Ben Porath



Load Flow Analysis Using Matlab Thesis:

Proceedings of the International Conference on Railway and Transportation (ICORT 2022) Willy Artha Wirawan, Moch. Agus Choiron, Dian M. Setiawan, 2023-03-31 This is an open access book Politeknik Perkeretaapian Indonesia Madiun Indonesia presents ICORT 2022 Innovative for Smart Sustainable and Safe Transportation Systems as its main focus In response to several world challenges such as sustainable development transportation issues global convergence of information and communications technologies along with smart systems as opportunities as well as challenges in developments for better industries it is considered important to discover innovative approaches from science and engineering perspectives Innovation suggests the introduction of novelty to create better solutions Innovation in engineering and science requires contributions from multidisciplinary sectors academics researchers practitioners and involving industries All accepted papers from ICORT 2022 will be submitted in Proceeding or Jurnal Perkeretaapian Indonesia Indonesian Railway Journal SINTA indexed grade 4 or Journal of Railway Transportation and Technology Indexed Google Scholar DOI Dimensions ROAD Thus ICORT 2022 invites academics or lecturers researchers practitioners and involving industries in Science and Engineering fields to contribute their papers and works to be presented at our forthcoming conference Intelligent Integrated Energy Systems Peter Palensky, Miloš Cvetković, Tamás Keviczky, 2018-10-26 This book presents research results of PowerWeb TU Delft s consortium for interdisciplinary research on intelligent integrated energy systems and their role in markets and institutions In operation since 2012 it acts as a host and information platform for a growing number of projects ranging from single PhD student projects up to large integrated and international research programs The group acts in an inter faculty fashion and brings together experts from electrical engineering computer science mathematics mechanical engineering technology and policy management control engineering civil engineering architecture aerospace engineering and industrial design The interdisciplinary projects of PowerWeb are typically associated with either of three problem domains Grid Technology Intelligence and Society PowerWeb is not limited to electricity it bridges heat gas and other types of energy with markets industrial processes transport and the built environment serving as a singular entry point for industry to the University s knowledge Via its Industry Advisory Board a steady link to business owners manufacturers and energy system operators is provided Transmission of Electrical Energy Ailson P. de Moura, Adriano Aron F. de Moura, Ednardo P. da Rocha, 2020-04-30 Transmission of Electrical Energy Overhead Lines takes a computational approach through the use of the Alternative Transient Program ATPdraw which is a program of worldwide use The number of exercises solved including computer simulations with ATPdraw and source codes in MATLAB make the work didactic and easy to assimilate even for those readers new to the subject The subjects presented throughout the text aims to make the reader understand and gain sufficient knowledge to analyze the operation of overhead transmission lines in a steady state and in a transient state besides carrying out an introductory project of a steady state transmission line The book can be used in both undergraduate and

graduate courses in electrical engineering

Matlab 5.3 Shrimala Sundararaju,2001 **Designing a User Friendly Software for Load Flow Analysis Using Power Quality in Power Systems, Electrical Machines, and Power-Electronic Drives** Ewald F. Fuchs,Mohammad A. S. Masoum,2023-02-13 **Power Quality in Power Systems Electrical Machines and Power Electronic Drives** uses current research and engineering practices guidelines standards and regulations for engineering professionals and students interested in solving power quality problems in a cost effective reliable and safe manner within the context of renewable energy systems The book contains chapters that address power quality across diverse facets of electric energy engineering including AC and DC transmission and distribution lines end user applications such as electric machines transformers inductors capacitors wind power and photovoltaic power plants and variable speed variable torque power electronic drives The book covers nonsinusoidal waveshapes voltage disturbances harmonic losses aging and lifetime reductions single time events such as voltage dips and the effects of variable speed drives controlled by PWM converters The book also reviews a corpus of techniques to mitigate power quality problems such as the optimal design of renewable energy storage devices including lithium ion batteries and fuel cells for automobiles serving as energy storage and the optimal design of nonlinear loads for simultaneous efficiency and power quality Provides theoretical and practical insights into power quality problems related to future smart grid renewable hybrid electric power systems electric machines and variable speed variable torque power electronic drives Contains a highly varied corpus of practical applications drawn from current international practice Designed as a self study tool with end of chapter problems and solutions designed to build understanding Includes very highly referenced chapters that enable readers to save time and money in the research discovery process for critical research articles regulatory standards and guidelines **AC Link Load Flow Control in Electric Power Systems** Fernando Adolfo Mancilla-Davd,2007 **Power Quality in Power Systems and Electrical Machines** Ewald F. Fuchs,Mohammad A. S. Masoum,2011-08-29 **Power Quality in Power Systems and Electrical Machines** Second Edition helps readers understand the causes and effects of power quality problems and provides techniques to mitigate these problems Power quality is a measure of deviations in supply systems and their components and affects all connected electrical and electronic equipment including computers TV monitors and lighting In this book analytical and measuring techniques are applied to power quality problems as they occur in central power stations and distributed generation such as alternative power systems Provides theoretical and practical insight into power quality problems most books available are either geared to theory or practice only Problems and solutions at the end of each chapter dealing with practical applications Includes application examples implemented in SPICE Mathematica and MATLAB **1995 IEEE Conference on Control Applications** IEEE Control Systems Society,1995 **Index to Theses with Abstracts Accepted for Higher Degrees by the Universities of Great Britain and Ireland and the Council for National Academic Awards** ,2006 **Electrical and Computer Engineering** University of Wisconsin--Madison. Department of Electrical and Computer Engineering,1996 **Designing a**

Computational Program to Solve Fast Decoupled Load Flow Analysis Using MATLAB Karthigesu Muniyandi,2001

Measurement and Control of Granular Materials Zhi Xian Jin,Zhi Xie,Guo Sheng Gai,2012-04-25 Selected peer reviewed papers from the 9th International Conference on Measurement and Control of Granular Materials MCGM 2011 Global High Level Academic Seminar October 27 29 2011 Shanghai China **Masters Abstracts International** ,1996 *Dissertation Abstracts International* ,2008 *Government Reports Announcements & Index* ,1996 ASM Handbook ASM International. Handbook Committee,1997-12 This volume is a comprehensive reference on the basic concepts methodologies and information sources dealing with materials selection and its integration with engineering design processes Contents include contributions from 100 experts involved with design materials selection and manufacturing Addresses metals ceramics polymers and composites and provides many case histories and examples *DECISION SUPPORT SYSTEMS: THE INTERNATIONAL JOURNAL* ,1998 *Petroleum Abstracts* ,1996 *Proceedings* ,2000 Progress in Steel, Composite and Aluminium Structures Marian Gizejowski,2006 This volume discloses recent activities and achievements in theoretical and experimental research as well as its implementation in design practice in the areas of Steel Aluminium Composite Steel Concrete and Metal Glass Structures Bridges Industrial Structures Shell and Spatial Structures Suspended and Prestressed Systems

As recognized, adventure as competently as experience not quite lesson, amusement, as with ease as arrangement can be gotten by just checking out a books **Load Flow Analysis Using Matlab Thesis** as a consequence it is not directly done, you could say yes even more going on for this life, with reference to the world.

We come up with the money for you this proper as capably as simple habit to get those all. We have the funds for Load Flow Analysis Using Matlab Thesis and numerous books collections from fictions to scientific research in any way. along with them is this Load Flow Analysis Using Matlab Thesis that can be your partner.

https://py.bijouxmedusa.com/public/Resources/Documents/Process_Control_By_R_P_Vyas_.pdf

Table of Contents Load Flow Analysis Using Matlab Thesis

1. Understanding the eBook Load Flow Analysis Using Matlab Thesis
 - The Rise of Digital Reading Load Flow Analysis Using Matlab Thesis
 - Advantages of eBooks Over Traditional Books
2. Identifying Load Flow Analysis Using Matlab Thesis
 - Exploring Different Genres
 - Considering Fiction vs. Non-Fiction
 - Determining Your Reading Goals
3. Choosing the Right eBook Platform
 - Popular eBook Platforms
 - Features to Look for in an Load Flow Analysis Using Matlab Thesis
 - User-Friendly Interface
4. Exploring eBook Recommendations from Load Flow Analysis Using Matlab Thesis
 - Personalized Recommendations
 - Load Flow Analysis Using Matlab Thesis User Reviews and Ratings
 - Load Flow Analysis Using Matlab Thesis and Bestseller Lists
5. Accessing Load Flow Analysis Using Matlab Thesis Free and Paid eBooks

- Load Flow Analysis Using Matlab Thesis Public Domain eBooks
 - Load Flow Analysis Using Matlab Thesis eBook Subscription Services
 - Load Flow Analysis Using Matlab Thesis Budget-Friendly Options
6. Navigating Load Flow Analysis Using Matlab Thesis eBook Formats
 - ePub, PDF, MOBI, and More
 - Load Flow Analysis Using Matlab Thesis Compatibility with Devices
 - Load Flow Analysis Using Matlab Thesis Enhanced eBook Features
 7. Enhancing Your Reading Experience
 - Adjustable Fonts and Text Sizes of Load Flow Analysis Using Matlab Thesis
 - Highlighting and Note-Taking Load Flow Analysis Using Matlab Thesis
 - Interactive Elements Load Flow Analysis Using Matlab Thesis
 8. Staying Engaged with Load Flow Analysis Using Matlab Thesis
 - Joining Online Reading Communities
 - Participating in Virtual Book Clubs
 - Following Authors and Publishers Load Flow Analysis Using Matlab Thesis
 9. Balancing eBooks and Physical Books Load Flow Analysis Using Matlab Thesis
 - Benefits of a Digital Library
 - Creating a Diverse Reading Collection Load Flow Analysis Using Matlab Thesis
 10. Overcoming Reading Challenges
 - Dealing with Digital Eye Strain
 - Minimizing Distractions
 - Managing Screen Time
 11. Cultivating a Reading Routine Load Flow Analysis Using Matlab Thesis
 - Setting Reading Goals Load Flow Analysis Using Matlab Thesis
 - Carving Out Dedicated Reading Time
 12. Sourcing Reliable Information of Load Flow Analysis Using Matlab Thesis
 - Fact-Checking eBook Content of Load Flow Analysis Using Matlab Thesis
 - Distinguishing Credible Sources
 13. Promoting Lifelong Learning
 - Utilizing eBooks for Skill Development

- Exploring Educational eBooks
- 14. Embracing eBook Trends
 - Integration of Multimedia Elements
 - Interactive and Gamified eBooks

Load Flow Analysis Using Matlab Thesis Introduction

In this digital age, the convenience of accessing information at our fingertips has become a necessity. Whether its research papers, eBooks, or user manuals, PDF files have become the preferred format for sharing and reading documents. However, the cost associated with purchasing PDF files can sometimes be a barrier for many individuals and organizations. Thankfully, there are numerous websites and platforms that allow users to download free PDF files legally. In this article, we will explore some of the best platforms to download free PDFs. One of the most popular platforms to download free PDF files is Project Gutenberg. This online library offers over 60,000 free eBooks that are in the public domain. From classic literature to historical documents, Project Gutenberg provides a wide range of PDF files that can be downloaded and enjoyed on various devices. The website is user-friendly and allows users to search for specific titles or browse through different categories. Another reliable platform for downloading Load Flow Analysis Using Matlab Thesis free PDF files is Open Library. With its vast collection of over 1 million eBooks, Open Library has something for every reader. The website offers a seamless experience by providing options to borrow or download PDF files. Users simply need to create a free account to access this treasure trove of knowledge. Open Library also allows users to contribute by uploading and sharing their own PDF files, making it a collaborative platform for book enthusiasts. For those interested in academic resources, there are websites dedicated to providing free PDFs of research papers and scientific articles. One such website is Academia.edu, which allows researchers and scholars to share their work with a global audience. Users can download PDF files of research papers, theses, and dissertations covering a wide range of subjects. Academia.edu also provides a platform for discussions and networking within the academic community. When it comes to downloading Load Flow Analysis Using Matlab Thesis free PDF files of magazines, brochures, and catalogs, Issuu is a popular choice. This digital publishing platform hosts a vast collection of publications from around the world. Users can search for specific titles or explore various categories and genres. Issuu offers a seamless reading experience with its user-friendly interface and allows users to download PDF files for offline reading. Apart from dedicated platforms, search engines also play a crucial role in finding free PDF files. Google, for instance, has an advanced search feature that allows users to filter results by file type. By specifying the file type as "PDF," users can find websites that offer free PDF downloads on a specific topic. While downloading Load Flow Analysis Using Matlab Thesis free PDF files is convenient, its important to note that copyright laws must be respected. Always ensure that

the PDF files you download are legally available for free. Many authors and publishers voluntarily provide free PDF versions of their work, but its essential to be cautious and verify the authenticity of the source before downloading Load Flow Analysis Using Matlab Thesis. In conclusion, the internet offers numerous platforms and websites that allow users to download free PDF files legally. Whether its classic literature, research papers, or magazines, there is something for everyone. The platforms mentioned in this article, such as Project Gutenberg, Open Library, Academia.edu, and Issuu, provide access to a vast collection of PDF files. However, users should always be cautious and verify the legality of the source before downloading Load Flow Analysis Using Matlab Thesis any PDF files. With these platforms, the world of PDF downloads is just a click away.

FAQs About Load Flow Analysis Using Matlab Thesis Books

1. Where can I buy Load Flow Analysis Using Matlab Thesis books? Bookstores: Physical bookstores like Barnes & Noble, Waterstones, and independent local stores. Online Retailers: Amazon, Book Depository, and various online bookstores offer a wide range of books in physical and digital formats.
2. What are the different book formats available? Hardcover: Sturdy and durable, usually more expensive. Paperback: Cheaper, lighter, and more portable than hardcovers. E-books: Digital books available for e-readers like Kindle or software like Apple Books, Kindle, and Google Play Books.
3. How do I choose a Load Flow Analysis Using Matlab Thesis book to read? Genres: Consider the genre you enjoy (fiction, non-fiction, mystery, sci-fi, etc.). Recommendations: Ask friends, join book clubs, or explore online reviews and recommendations. Author: If you like a particular author, you might enjoy more of their work.
4. How do I take care of Load Flow Analysis Using Matlab Thesis books? Storage: Keep them away from direct sunlight and in a dry environment. Handling: Avoid folding pages, use bookmarks, and handle them with clean hands. Cleaning: Gently dust the covers and pages occasionally.
5. Can I borrow books without buying them? Public Libraries: Local libraries offer a wide range of books for borrowing. Book Swaps: Community book exchanges or online platforms where people exchange books.
6. How can I track my reading progress or manage my book collection? Book Tracking Apps: Goodreads, LibraryThing, and Book Catalogue are popular apps for tracking your reading progress and managing book collections. Spreadsheets: You can create your own spreadsheet to track books read, ratings, and other details.
7. What are Load Flow Analysis Using Matlab Thesis audiobooks, and where can I find them? Audiobooks: Audio

recordings of books, perfect for listening while commuting or multitasking. Platforms: Audible, LibriVox, and Google Play Books offer a wide selection of audiobooks.

8. How do I support authors or the book industry? Buy Books: Purchase books from authors or independent bookstores. Reviews: Leave reviews on platforms like Goodreads or Amazon. Promotion: Share your favorite books on social media or recommend them to friends.
9. Are there book clubs or reading communities I can join? Local Clubs: Check for local book clubs in libraries or community centers. Online Communities: Platforms like Goodreads have virtual book clubs and discussion groups.
10. Can I read Load Flow Analysis Using Matlab Thesis books for free? Public Domain Books: Many classic books are available for free as they're in the public domain. Free E-books: Some websites offer free e-books legally, like Project Gutenberg or Open Library.

Find Load Flow Analysis Using Matlab Thesis :

process control by r p vyas

~~practicing texas politics~~

~~prentice hall physical science answers pg 385~~

precios referenciales de partidas de vialidad al 05 12

prima games assassins creed origins official collectors

~~prayer 10 powerful daily morning prayers every christian woman should know prayer prayer books positive affirmations
prayer for healing~~

~~programming language pragmatics solution manual download~~

~~practice problems incomplete dominance and codominance~~

~~procurement objective type question papers~~

~~practice advisory 1300 1 quality assurance and~~

~~profit without honor white collar crime and the looting of america 5th edition~~

practice 8 exponential growth and decay answers

~~principles of financial accounting 20th edition solution~~

professors job solution book

~~practical predictive analytics and decisioning systems for medicine informatics accuracy and cost effectiveness for healthcare
administration and delivery including medical research~~

Load Flow Analysis Using Matlab Thesis :

list of the saddle club episodes wikipedia - Oct 22 2022

web the following is a complete episode list for the australian children s series the saddle club which began airing on abc on 30 april 2001 and ended on 10 april 2009 the series revolves around the experiences of three best friends carole hanson stevie lake and lisa atwood who form the saddle club after recognizing their equal passions for horse

watch the saddle club free tv shows tubi - Apr 27 2023

web the saddle club 2001 tv g drama kids family amid the thrills of the competitive equestrian world three best friends help each other through horse shows humiliations and heartbreak season 1 s01 e01 the saddle club carole and stevie befriend lisa s01 e02 work horses the club plans to kidnap prancer s01 e03 trail ride pt 1

saddle club 58 wild horses saddle club series eng molly gloss - Aug 20 2022

web computer saddle club 58 wild horses saddle club series eng is comprehensible in our digital library an online admission to it is set as public as a result you can download it instantly our digital library saves in merged countries allowing you to get the most less latency era to download any of our books subsequent to this one merely said

wild horses 58 saddle club saddle club 58 archive org - Oct 02 2023

web an icon used to represent a menu that can be toggled by interacting with this icon

prime video the saddle club season 1 - Feb 23 2023

web free trial of pure flix s1 e2 work horses april 29 2001 25min tv g the story of three heroines stevie carole and lisa who form the saddle club at the pine hollow stables each character has a distinctly different personality but all share an equal love of horses and a strong loyalty to each other free trial of pure flix

saddle club 58 wild horses saddle club series english edition - Jul 31 2023

web remember singapore 35 best roping saddle images roping saddles saddles the saddle club info center angelfire wild horses saddle club 58 by bonnie bryant saddle club gudie to horses video dailymotion saddle club at wilderness horse camp wild horses saddle club r bryant bonnie saddle club riding saddle club 55 gold medal horse rakuten

saddle club 58 wild horses saddle club series eng moira c - Feb 11 2022

web club 58 wild horses saddle club series eng as one of the most on the go sellers here will definitely be among the best options to review the english catalogue of books sampson low 1876 vols for 1898 1968 include a directory of publishers book of field sports and library of veterinary knowledge

saddle club 58 wild horses saddle club series eng 2023 - Jun 29 2023

web 2 saddle club 58 wild horses saddle club series eng 2023 05 26 sounds like a great idea will these activities help them rediscover their love of horses or is the saddle club about to untack for good star gazer skylark fritz a pony excluded from the

group of beautiful horses within the walled city becomes a hero

saddle club 58 wild horses saddle club series eng pdf 2023 - Sep 20 2022

web mar 17 2023 title saddle club 58 wild horses saddle club series eng pdf 2023 created date 3 17 2023 11 57 29 am

[the saddle club youtube](#) - Sep 01 2023

web based on the series of popular books for young readers the saddle club follows the lives of three aspiring equestrians developing their riding skills at pine hollow stables

[wild horses 58 saddle club saddle club 58 amazon com](#) - Jan 25 2023

web jan 1 1996 paperback 5 55 3 used from 5 55 1 collectible from 29 00 lisa atwood thinks the fancy boarding school she visits for the weekend is nice enough but she d never want to go there it s two hours from willow creek home of her best friends steve lake and carole hanson book 52 of 94 saddle club series print length 131 pages language

saddle club 58 wild horses saddle club series eng samuel - Nov 22 2022

web feb 23 2023 kindly say the saddle club 58 wild horses saddle club series eng is universally compatible with any devices to read democracy and education john dewey 1916 in this book dewey tries to criticize and expand on the educational philosophies of rousseau and plato dewey s ideas were seldom adopted in america s public schools

[saddle club 58 wild horses saddle club series eng 2022](#) - Apr 15 2022

web saddle club 58 wild horses saddle club series eng downloaded from crm vasista in by guest douglas ramos destiny and the wild horses pony club secrets book 3 skylark will a city girl s horse dreams ever come true for jordan mckenzie moving from los angeles to rural michigan was a big change in la she was used to giant shopping

saddle club 58 wild horses saddle club series eng 2022 - May 29 2023

web 2 saddle club 58 wild horses saddle club series eng 2022 09 30 saddle club 58 wild horses harpercollins uk award winning author victoria vane lets loose the fourth in the hot cowboy nights series wild horses couldn t bring them together with exceptional talent and looks cowboy horse whisperer keith russo once had the

horse show the saddle club wiki fandom - Jun 17 2022

web horse show is book 8 in the original series to the saddle club there s nothing more exciting than riding horses at pine hollow until they re invited to new york city to watch the american horse show max s former student dorothy desoto will be competing and the girls will get a backstage view of competitive riding and in their free time lisa

saddle club 58 wild horses saddle club series kindle edition - Mar 27 2023

web jul 30 2014 saddle club 58 wild horses saddle club series ebook bryant bonnie amazon co uk kindle store

saddle club 58 wild horses saddle club series eng 2022 - Mar 15 2022

web equine stories each sharing a sense of love loss and survival summer horse skylark the saddle club will be apart for the

summer and each girl is going to have an opportunity for a special horseback ride this first super edition contains three stories about each member of the saddle club wild horses of the world skylark

saddle club 58 wild horses saddle club series eng 2023 - May 17 2022

web saddle club 58 wild horses saddle club series eng 5 5 horse cobalt and when it looks like she's headed for the same trouble again the girls are quick to act but are they already too late billboard skylark pine hollow is boarding some horses from a neighboring stable one of the horses has special problems that require help from the

watch the saddle club s01 e08 star quality free tv shows - Jul 19 2022

web s01 e17 horse play the girls arrange a fright night for the annual costume party and encounter a ghost s01 e18 found horse pt 1 stevie rescues a neglected mare and plans on keeping her s01 e19 found horse pt 2 belle's owner returns to claim her

saddle club 58 wild horses saddle club series english - Dec 24 2022

web achetez et téléchargez ebook saddle club 58 wild horses saddle club series english edition boutique kindle horses amazon fr

minecraft handbuch für eroberer ein offizielles minecraft handbuch - Jul 03 2022

web buy minecraft handbuch für eroberer ein offizielles minecraft handbuch by online on amazon ae at best prices fast and free shipping free returns cash on delivery available on eligible purchase

minecraft handbuch für eroberer ein offizielles minecraft handbuch - Dec 08 2022

web feb 6 2020 minecraft handbuch für eroberer ein offizielles minecraft handbuch mojang on amazon com free shipping on qualifying offers minecraft handbuch für eroberer ein offizielles minecraft handbuch

minecraft handbuch für eroberer von minecraft bücher orell - Aug 04 2022

web das offizielle handbuch für eroberer wird dir helfen am leben zu bleiben erfahre wie du ressourcen findest ausrüstung herstellst und dich vor feindlichen mobs schützt mit insider infos und tipps der experten von mojang

minecraft handbuch für eroberer minecraft bider tanner - Feb 27 2022

web ein offizielles minecraft handbuch ab 9 j buch gebunden minecraft 96 seiten

minecraft handbuch für eroberer von minecraft buch 978 3 - Aug 16 2023

web das offizielle handbuch für eroberer wird dir helfen am leben zu bleiben erfahre wie du ressourcen findest ausrüstung herstellst und dich vor feindlichen mobs schützt mit insider infos und tipps der experten von mojang

minecraft handbuch für eroberer von minecraft 2020 - Jun 02 2022

web entdecken sie minecraft handbuch für eroberer von minecraft 2020 gebundene ausgabe in der großen auswahl bei ebay kostenlose lieferung für viele artikel

minecraft handbuch für eroberer ein offizielles minecraft handbuch - Jul 15 2023

web minecraft handbuch für eroberer ein offizielles minecraft handbuch minecraft shanel josef amazon de bücher bücher kinderbücher computer neu 12 00 weitere informationen kostenfreie retouren samstag 5 august oder schnellste lieferung freitag 4 august bestellung innerhalb 2 stdn 37 min lieferadresse wählen auf lager

minecraft handbuch für eroberer minecraft shanel josef - May 01 2022

web feb 6 2020 das offizielle handbuch für eroberer wird dir helfen am leben zu bleiben erfahre wie du ressourcen findest ausrüstung herstellst und dich vor feindlichen mobs schützt mit insider infos und tipps der experten von mojang

minecraft handbuch für eroberer lovelybooks - Oct 06 2022

web das offizielle handbuch für eroberer wird dir helfen am leben zu bleiben erfahre wie du ressourcen findest ausrüstung herstellst und dich vor feindlichen mobs schützt mit insider infos und tipps der experten von mojang

minecraft handbuch für eroberer minecraft shanel josef - Sep 05 2022

web das offizielle handbuch für eroberer wird dir helfen am leben zu bleiben erfahre wie du ressourcen findest ausrüstung herstellst und dich vor feindlichen mobs schützt mit insider infos und tipps der experten von mojang

minecraft handbuch für eroberer lehmanns de - Mar 31 2022

web das offizielle handbuch für eroberer wird dir helfen am leben zu bleiben erfahre wie du ressourcen findest ausrüstung herstellst und dich vor feindlichen mobs schützt mit insider infos und tipps der experten von mojang

minecraft handbuch für eroberer roman schneiderbuch - May 13 2023

web die welt von minecraft wartet darauf erkundet zu werden aber an jeder ecke lauern gefahren und das Überleben kann sich selbst für den tapfersten abenteurer als schwierig erweisen das offizielle handbuch für eroberer wird dir helfen am leben zu bleiben erfahre wie du ressourcen findest ausrüstung herstellst und d

minecraft handbuch für eroberer gebraucht kaufen rebuy - Dec 28 2021

web minecraft handbuch für eroberer gebraucht kaufen startseite bücher kinder und jugendbücher kinderbücher bis 11 jahre minecraft handbuch für eroberer 30 minecraft handbuch für eroberer minecraft zustand mehr info preise sind endpreise zzgl versandkosten wie neu 9 29 sehr gut 8 29 spare 30 gegenüber

minecraft handbuch für eroberer kaufen tausendkind de - Jan 29 2022

web die welt von minecraft wartet darauf erkundet zu werden aber an jeder ecke lauern gefahren und das Überleben kann sich selbst für den tapfersten abenteurer als schwierig erweisen das offizielle handbuch für eroberer wird dir helfen am leben zu bleiben

minecraft handbuch für eroberer ein offizielles minecraft handbuch - Jun 14 2023

web das offizielle handbuch für eroberer wird dir helfen am leben zu bleiben erfahre wie du ressourcen findest ausrüstung

herstellst und dich vor feindlichen mobs schützt mit insider infos und tipps der experten von mojang

minecraft handbuch für eroberer bücher de - Mar 11 2023

web das offizielle handbuch für eroberer wird dir helfen am leben zu bleiben erfahre wie du ressourcen findest ausrüstung

herstellst und dich vor feindlichen mobs schützt mit insider infos und tipps der experten von mojang

minecraft handbuch für eroberer weltbild - Nov 07 2022

web die welt von minecraft wartet darauf erkundet zu werden aber an jeder ecke lauern gefahren und das Überleben kann sich selbst für den tapfersten abenteurer als schwierig erweisen das offizielle handbuch für eroberer wird dir helfen am leben zu bleiben

minecraft handbuch für eroberer weltbild - Feb 10 2023

web bücher bei weltbild jetzt minecraft handbuch für eroberer von minecraft versandkostenfrei online kaufen bei weltbild ihrem bücher spezialisten versandkostenfrei ab 39 bücher ab 5 30 tage widerrufsrecht

minecraft handbuch für eroberer von minecraft buch kaufen - Jan 09 2023

web das offizielle handbuch für eroberer wird dir helfen am leben zu bleiben erfahre wie du ressourcen findest ausrüstung herstellst und dich vor feindlichen mobs schützt mit insider infos und tipps der experten von mojang

minecraft handbuch für eroberer michaelsbund - Apr 12 2023

web isbn ean 9783505143588 12 00 inkl mwst versandkostenfrei in de in den warenkorb sofort lieferbar artikelbeschreibung die welt von minecraft wartet darauf erkundet zu werden aber an jeder ecke lauern gefahren und das Überleben kann sich selbst für den tapfersten abenteurer als schwierig erweisen

pdf get in the groove a beginners guide to vinyl in the 21st - May 12 2023

to start playing vinyl at home you will need one of two options a turntable with a separate amplifying system or an all in one turntable with see more

the beginner s guide to vinyl google books - Dec 07 2022

web oct 5 2017 those bins of colorful album art catch your eye you wonder what it s like to rock out to the acoustics of analog grooves and you feel the appeal of music without

get in the groove a beginner s guide to vinyl in pdf wrbb neu - Jul 02 2022

web right here we have countless ebook get in the groove a beginner s guide to vinyl in pdf and collections to check out we additionally find the money for variant types and

get in the groove a beginner s guide to vinyl in pete tomsett - Aug 03 2022

web dec 2 2016 if you re ready to take the plunge the beginner s guide to vinyl will walk you through the basics of what is sure to become your newest passion whether your

the beginner s guide to vinyl and record players - Mar 30 2022

web recognizing the habit ways to acquire this book get in the groove a beginner s guide to vinyl in is additionally useful you have remained in right site to begin getting this

getting in the groove idioms by the free dictionary - Dec 27 2021

web with mono the grooves on the vinyl record are vertical they can also be horizontal but we ll focus on vertical the stylus reads the grooves in an up and down fashion with

get in the groove a beginner s guide to vinyl in pdf - Feb 26 2022

web getinthegrooveabeginnersguidetovinylin 2 2 downloaded from academy robotistan com on by guest phonograph recorded sound onto a sheet of tin foil wrapped around a hand

[the beginner s guide to vinyl how to build maintain](#) - Mar 10 2023

web vinyl is back leading many digital natives to start up analog collections if you re new to get in the groove a beginner s guide to vinyl in the 21st century by michael

the beginner s guide to vinyl how to build maintain - Nov 06 2022

web apr 17 2019 there s no question that audio streaming platforms like spotify and apple music are revolutionizing the way we can instantly access pinterest today watch

got in the groove idioms by the free dictionary - Oct 25 2021

web definition of get in the groove in the idioms dictionary get in the groove phrase what does get in the groove expression mean definitions by the largest idiom dictionary

madonna into the groove lyrics azlyrics com - Sep 23 2021

web definition of getting in the groove in the idioms dictionary getting in the groove phrase what does getting in the groove expression mean definitions by the largest idiom

get in the groove a beginner s guide to vinyl in the 21st - Nov 25 2021

web may 5 2023 we give get in the groove a beginner s guide to vinyl in and numerous book collections from fictions to scientific research in any way among them is this get

beginner s guide to vinyl 2021 youtube - Jun 13 2023

these days you can buy vinyl from a whole range of different stores including online outlets but just like fashion one should be mindful to see more

get in the groove idioms by the free dictionary - Jan 28 2022

web be get in the groove definition 1 to be or start operating or performing successfully 2 to be or start operating or performing learn more

get in the groove a beginner s guide to vinyl in pdf rchat - Sep 04 2022

web if you re ready to take the plunge the beginner s guide to vinyl will walk you through the basics of what is sure to become your newest passion whether your musical tastes are

books similar to get in the groove a beginner s guide to vinyl in - Jan 08 2023

web f pdf get in the groove a beginners guide to vinyl in the 21st century full details fif you want to download or read get in the groove a beginners guide to vi

get in the groove a beginner s guide to vinyl in the 2 - Jul 14 2023

in july 1877 thomas edison invented the phonograph a device for the mechanical recording and reproduction of sound edison s phonograph recorded sound onto a sheet of tin foil wrapped see more

getinthegrooveabeginnersguidetovinylin 2022 - Jun 01 2022

web 2 get in the groove a beginner s guide to vinyl in 2022 02 03 dull printed polyester shirts the sock of psychedelic paisleys and a parade of pop t shirt icons in 450 photos

getting in the grooves a beginner s guide to - Aug 15 2023

you may be wondering why someone would opt for vinyl records over the millions of instantly available songs available via the internet every vinyl buyer has their own reasons but here are some of the main appeals of vinyl records a physical connection it s safe to say that in terms of the buying and see more

get in the groove a beginner s guide to vinyl in pdf gcca - Oct 05 2022

web find books like get in the groove a beginner s guide to vinyl in the 21st century from the world s largest community of readers goodreads members who l

be get in the groove cambridge english dictionary - Apr 30 2022

web get in the groove a beginner s guide to vinyl in right here we have countless book get in the groove a beginner s guide to vinyl in and collections to check out we

getting into the groove a beginner s guide to vinyl - Apr 11 2023

as mentioned earlier in this article most records are released in different pressings respective of the country they are produced in label they were released on or year they were pressed the first pressing is pressed see more

getting in the grooves a beginner s guide to vinyl records - Feb 09 2023

web apr 22 2021 this is the official record ology beginner s guide to vinyl here are some of my favorites to get you started victrola 6 in 1 new to vinyl start here