

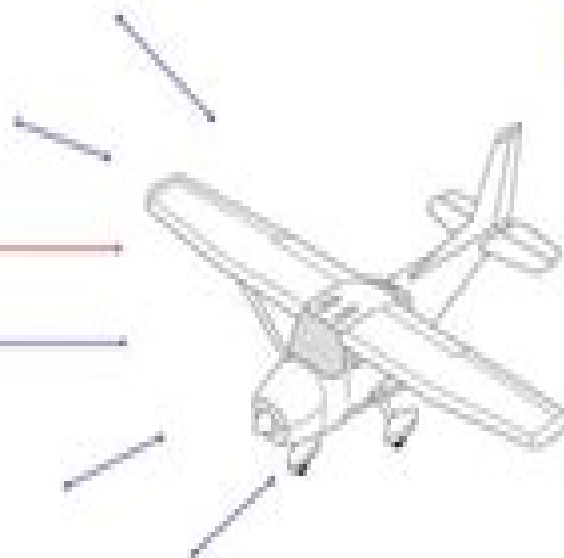
Primary / Secondary Surveillance Radar



Transmitted Signal



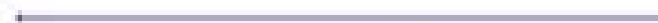
Received Signal



Transmitted interrogation



Generated Reply



- SSR Transponder
- External antenna
- Cockpit Control Panel

Primary Surveillance Radar Extractor Intersoft

RS Peters



Primary Surveillance Radar Extractor Intersoft:

As recognized, adventure as without difficulty as experience not quite lesson, amusement, as skillfully as union can be gotten by just checking out a ebook **Primary Surveillance Radar Extractor Intersoft** then it is not directly done, you could put up with even more going on for this life, approximately the world.

We offer you this proper as with ease as easy exaggeration to acquire those all. We find the money for Primary Surveillance Radar Extractor Intersoft and numerous books collections from fictions to scientific research in any way. in the middle of them is this Primary Surveillance Radar Extractor Intersoft that can be your partner.

<https://py.bijouxmedusa.com/data/Resources/fetch.php/holt%20physics%20additional%20practice%20problem%2017a%20answers.pdf>

Table of Contents Primary Surveillance Radar Extractor Intersoft

1. Understanding the eBook Primary Surveillance Radar Extractor Intersoft
 - The Rise of Digital Reading Primary Surveillance Radar Extractor Intersoft
 - Advantages of eBooks Over Traditional Books
2. Identifying Primary Surveillance Radar Extractor Intersoft
 - Exploring Different Genres
 - Considering Fiction vs. Non-Fiction
 - Determining Your Reading Goals
3. Choosing the Right eBook Platform
 - Popular eBook Platforms
 - Features to Look for in an Primary Surveillance Radar Extractor Intersoft
 - User-Friendly Interface
4. Exploring eBook Recommendations from Primary Surveillance Radar Extractor Intersoft
 - Personalized Recommendations
 - Primary Surveillance Radar Extractor Intersoft User Reviews and Ratings
 - Primary Surveillance Radar Extractor Intersoft and Bestseller Lists

5. Accessing Primary Surveillance Radar Extractor Intersoft Free and Paid eBooks
 - Primary Surveillance Radar Extractor Intersoft Public Domain eBooks
 - Primary Surveillance Radar Extractor Intersoft eBook Subscription Services
 - Primary Surveillance Radar Extractor Intersoft Budget-Friendly Options
6. Navigating Primary Surveillance Radar Extractor Intersoft eBook Formats
 - ePub, PDF, MOBI, and More
 - Primary Surveillance Radar Extractor Intersoft Compatibility with Devices
 - Primary Surveillance Radar Extractor Intersoft Enhanced eBook Features
7. Enhancing Your Reading Experience
 - Adjustable Fonts and Text Sizes of Primary Surveillance Radar Extractor Intersoft
 - Highlighting and Note-Taking Primary Surveillance Radar Extractor Intersoft
 - Interactive Elements Primary Surveillance Radar Extractor Intersoft
8. Staying Engaged with Primary Surveillance Radar Extractor Intersoft
 - Joining Online Reading Communities
 - Participating in Virtual Book Clubs
 - Following Authors and Publishers Primary Surveillance Radar Extractor Intersoft
9. Balancing eBooks and Physical Books Primary Surveillance Radar Extractor Intersoft
 - Benefits of a Digital Library
 - Creating a Diverse Reading Collection Primary Surveillance Radar Extractor Intersoft
10. Overcoming Reading Challenges
 - Dealing with Digital Eye Strain
 - Minimizing Distractions
 - Managing Screen Time
11. Cultivating a Reading Routine Primary Surveillance Radar Extractor Intersoft
 - Setting Reading Goals Primary Surveillance Radar Extractor Intersoft
 - Carving Out Dedicated Reading Time
12. Sourcing Reliable Information of Primary Surveillance Radar Extractor Intersoft
 - Fact-Checking eBook Content of Primary Surveillance Radar Extractor Intersoft
 - Distinguishing Credible Sources
13. Promoting Lifelong Learning

- Utilizing eBooks for Skill Development
 - Exploring Educational eBooks
14. Embracing eBook Trends
- Integration of Multimedia Elements
 - Interactive and Gamified eBooks

Primary Surveillance Radar Extractor Intersoft Introduction

Free PDF Books and Manuals for Download: Unlocking Knowledge at Your Fingertips In today's fast-paced digital age, obtaining valuable knowledge has become easier than ever. Thanks to the internet, a vast array of books and manuals are now available for free download in PDF format. Whether you are a student, professional, or simply an avid reader, this treasure trove of downloadable resources offers a wealth of information, conveniently accessible anytime, anywhere. The advent of online libraries and platforms dedicated to sharing knowledge has revolutionized the way we consume information. No longer confined to physical libraries or bookstores, readers can now access an extensive collection of digital books and manuals with just a few clicks. These resources, available in PDF, Microsoft Word, and PowerPoint formats, cater to a wide range of interests, including literature, technology, science, history, and much more. One notable platform where you can explore and download free Primary Surveillance Radar Extractor Intersoft PDF books and manuals is the internet's largest free library. Hosted online, this catalog compiles a vast assortment of documents, making it a veritable goldmine of knowledge. With its easy-to-use website interface and customizable PDF generator, this platform offers a user-friendly experience, allowing individuals to effortlessly navigate and access the information they seek. The availability of free PDF books and manuals on this platform demonstrates its commitment to democratizing education and empowering individuals with the tools needed to succeed in their chosen fields. It allows anyone, regardless of their background or financial limitations, to expand their horizons and gain insights from experts in various disciplines. One of the most significant advantages of downloading PDF books and manuals lies in their portability. Unlike physical copies, digital books can be stored and carried on a single device, such as a tablet or smartphone, saving valuable space and weight. This convenience makes it possible for readers to have their entire library at their fingertips, whether they are commuting, traveling, or simply enjoying a lazy afternoon at home. Additionally, digital files are easily searchable, enabling readers to locate specific information within seconds. With a few keystrokes, users can search for keywords, topics, or phrases, making research and finding relevant information a breeze. This efficiency saves time and effort, streamlining the learning process and allowing individuals to focus on extracting the information they need. Furthermore, the availability of free PDF books and manuals fosters a culture of continuous learning. By removing financial barriers, more people can access educational resources and

pursue lifelong learning, contributing to personal growth and professional development. This democratization of knowledge promotes intellectual curiosity and empowers individuals to become lifelong learners, promoting progress and innovation in various fields. It is worth noting that while accessing free Primary Surveillance Radar Extractor Intersoft PDF books and manuals is convenient and cost-effective, it is vital to respect copyright laws and intellectual property rights. Platforms offering free downloads often operate within legal boundaries, ensuring that the materials they provide are either in the public domain or authorized for distribution. By adhering to copyright laws, users can enjoy the benefits of free access to knowledge while supporting the authors and publishers who make these resources available. In conclusion, the availability of Primary Surveillance Radar Extractor Intersoft free PDF books and manuals for download has revolutionized the way we access and consume knowledge. With just a few clicks, individuals can explore a vast collection of resources across different disciplines, all free of charge. This accessibility empowers individuals to become lifelong learners, contributing to personal growth, professional development, and the advancement of society as a whole. So why not unlock a world of knowledge today? Start exploring the vast sea of free PDF books and manuals waiting to be discovered right at your fingertips.

FAQs About Primary Surveillance Radar Extractor Intersoft Books

How do I know which eBook platform is the best for me? Finding the best eBook platform depends on your reading preferences and device compatibility. Research different platforms, read user reviews, and explore their features before making a choice. Are free eBooks of good quality? Yes, many reputable platforms offer high-quality free eBooks, including classics and public domain works. However, make sure to verify the source to ensure the eBook credibility. Can I read eBooks without an eReader? Absolutely! Most eBook platforms offer webbased readers or mobile apps that allow you to read eBooks on your computer, tablet, or smartphone. How do I avoid digital eye strain while reading eBooks? To prevent digital eye strain, take regular breaks, adjust the font size and background color, and ensure proper lighting while reading eBooks. What the advantage of interactive eBooks? Interactive eBooks incorporate multimedia elements, quizzes, and activities, enhancing the reader engagement and providing a more immersive learning experience. Primary Surveillance Radar Extractor Intersoft is one of the best book in our library for free trial. We provide copy of Primary Surveillance Radar Extractor Intersoft in digital format, so the resources that you find are reliable. There are also many Ebooks of related with Primary Surveillance Radar Extractor Intersoft. Where to download Primary Surveillance Radar Extractor Intersoft online for free? Are you looking for Primary Surveillance Radar Extractor Intersoft PDF? This is definitely going to save you time and cash in something you should think about. If you trying to find then search around for online. Without a doubt there are numerous these available and many of them have the freedom. However without doubt you receive whatever you purchase.

An alternate way to get ideas is always to check another Primary Surveillance Radar Extractor Intersoft. This method for see exactly what may be included and adopt these ideas to your book. This site will almost certainly help you save time and effort, money and stress. If you are looking for free books then you really should consider finding to assist you try this. Several of Primary Surveillance Radar Extractor Intersoft are for sale to free while some are payable. If you arent sure if the books you would like to download works with for usage along with your computer, it is possible to download free trials. The free guides make it easy for someone to free access online library for download books to your device. You can get free download on free trial for lots of books categories. Our library is the biggest of these that have literally hundreds of thousands of different products categories represented. You will also see that there are specific sites catered to different product types or categories, brands or niches related with Primary Surveillance Radar Extractor Intersoft. So depending on what exactly you are searching, you will be able to choose e books to suit your own need. Need to access completely for Campbell Biology Seventh Edition book? Access Ebook without any digging. And by having access to our ebook online or by storing it on your computer, you have convenient answers with Primary Surveillance Radar Extractor Intersoft To get started finding Primary Surveillance Radar Extractor Intersoft, you are right to find our website which has a comprehensive collection of books online. Our library is the biggest of these that have literally hundreds of thousands of different products represented. You will also see that there are specific sites catered to different categories or niches related with Primary Surveillance Radar Extractor Intersoft So depending on what exactly you are searching, you will be able to choose ebook to suit your own need. Thank you for reading Primary Surveillance Radar Extractor Intersoft. Maybe you have knowledge that, people have search numerous times for their favorite readings like this Primary Surveillance Radar Extractor Intersoft, but end up in harmful downloads. Rather than reading a good book with a cup of coffee in the afternoon, instead they juggled with some harmful bugs inside their laptop. Primary Surveillance Radar Extractor Intersoft is available in our book collection an online access to it is set as public so you can download it instantly. Our digital library spans in multiple locations, allowing you to get the most less latency time to download any of our books like this one. Merely said, Primary Surveillance Radar Extractor Intersoft is universally compatible with any devices to read.

Find Primary Surveillance Radar Extractor Intersoft :

holt physics additional practice problem 17a answers

[harry potter characters read the books](#)

[h2s analyser ip 570 astm d7621 iso 8217](#)

harcourt social studies homework and practice answers3

highway engineering khanna justo download

[histology lab epithelial tissues answer key](#)

[heroes unlimited 2nd edition](#)

[holt physics chapter 6 momentum and collisions](#)

[gullivers travels level 4 rysiek de](#)

[holt physics chapter 7 test answers](#)

[holt civics in practice workbook answer key elosuk](#)

[highland ever after maya banks](#)

[handbook for pulp and paper technologists first edition](#)

[handbook of grammar and usage answer key](#)

[guitar the ultimate guitar scale handbook step by step approach to positions patterns essential to music fretboard theory](#)

~~[straightforward exercises straightforward guitar lessons book 2](#)~~

Primary Surveillance Radar Extractor Intersoft :

[sample letter of withdrawal from college course request](#) - Jan 16 2023

web mar 23 2023 print 1 simple withdrawal letter your name your address city assert zip code date college name department name college address city state zip

[course withdrawal email how to write it right request letters](#) - Jun 21 2023

answer your letter of withdrawal should include enough detail to inform the college or university of your intention to withdraw and any relevant information see more

[sample letter of withdrawal from college course request](#) - Oct 13 2022

web jul 25 2022 here is a sample college withdrawal letter all the forms and other documents that are enclosed should be copies and not original documents the letter

[sample letter of withdrawal from college course request letters](#) - Mar 06 2022

web aug 29 2023 here is a sample letter of withdrawal from college all the forms and other documents that are enclosed should be copies and not original documents the letter

[sample letter of withdrawal from college course request letters](#) - Apr 07 2022

web jun 24 2023 looking for examples of well crafted letters a withdrawal from college courses select outwards our page for templates and guidelines up promote you write a

[sample letter of withdrawal from college course](#) - Nov 02 2021

web jul 1 2023 sample letter of withdrawal from college course request letters how to write a school withdrawal letter

templates included sample letter a withdrawal

sample letter of withdrawal from college course request letters - Aug 11 2022

web sample letter of withdraw from college course discover sample letters of exit from college courses effectively communicate thy decision and navigate the process free

formal letter to principal for discontinuing a class subject - Dec 15 2022

web may 15 2023 i request that my withdrawal from the course be processed as soon as possible please leased die know the process for withdrawing from the course and any

sample letter out withdrawal coming college course request - May 20 2023

answer it depends on the college s policies some colleges have strict deadlines for withdrawing from courses while others may allow students to withdraw see more

college withdrawal letter free sample sample resignation - Oct 01 2021

web may 15 2023 examples of well crafted letters of withdrawal from college courses last updated on may 15 2023 by andre bradley college if you have decided until

sample letter for dropping a subject requestletters - Jul 10 2022

web jul 1 2023 looking for examples of well crafted letters of removal from college teaching check out the page for templates and guidelines until find you write a professional and

how to write a withdrawal letter from college synonym - Nov 14 2022

web aug 7 2023 course withdrawal email samples choose course dispensing seek dear professor s name i hope this e mail pinpoints you fine ego my writing to inform

sample letter of withdrawal from college course request - Jan 04 2022

web looking for examples of well crafted letters a withdrawal from college courses check out our page in templates and guidelines till help you write adenine professional and polite

sample letter for dropping a subject requestletters writing a - Mar 18 2023

web may 15 2023 dear sir madam i am writing save letter to officially withdraw from course name toward college name due to unforeseen condition i have decided into

sample letter of withdrawal from college course request - Jun 09 2022

web may 9 2023 template 1 simple withdrawal letter your name your address city state slide code date college name department name college address city

letter for dropping a subject how to draft it right - Aug 23 2023

answer before you write a letter of withdrawal it is important to review your college s policies regarding course withdrawals

you may need to speak with your professor or academic advisor to discuss your reasons for wanting to withdraw and any potential consequences additionally you should be aware see more

sample letter of withdrawal from college course request letters - Jul 22 2023

answer you are not required to provide a reason for withdrawing from a college course but it may be helpful to do so this information can help the college or see more

writing a simple college withdrawal letter with sample - Feb 17 2023

web sep 5 2023 the subject line should be concise and give a clear idea of the email s content examples include request for course withdrawal course code

sample letter of withdrawal from college course request - Dec 03 2021

web mar 27 2023 trending stories i am writing to inform you that i have decided to withdraw from name of college effective immediately i appreciate the opportunity to attend this

sample letter of withdrawal from college course requestletters - Sep 12 2022

web may 15 2023 answer your letter of withdrawal should include enough detail to inform to college or university of autochthonous intention to withdraw and all relevant information

letter of withdrawal from college due to personal problems - May 08 2022

web aug 7 2023 find samples out course withdrawal letters navigate the process and express your resolution clearly there become free templates available past updated on

email to withdraw from college templates requestletters - Feb 05 2022

web may 15 2023 start the a formal form begin your letter with a prim salutation such as dear college university name registrar or dear professor s name using a formal

sample letter of withdrawal off college course request letters - Apr 19 2023

answer the college s policies regarding tuition refunds for withdrawn courses vary some colleges may offer partial or full tuition refunds if you withdraw before a see more

maraa chage biologieque help environment harvard edu - Aug 03 2022

web maraa chage biologieque but end up in harmful downloads rather than enjoying a fine pdf subsequently a mug of coffee in the afternoon then again they juggled next some harmful virus inside their computer maraa chage biologieque is clear in our digital library an online access to it is set as public fittingly you can download it instantly

maraa chage biologieque headandneckcancerguide org - Jul 02 2022

web maraa chage biologieque 1 maraa chage biologieque getting the books maraa chage biologieque now is not type of challenging means you could not lonely going when book increase or library or borrowing from your friends to gate them this

is an utterly easy means to specifically acquire guide by on line

maraa chage biologique copy - Sep 16 2023

web maraa chage biologique révolution chez les patrons sep 03 2022 les sciences biologiques à la fin du xixe siècle médecine hygiène anthropologie sciences naturelles etc publiées sous la direction de r blanchard charcot léon colin duclaux dujardin beaumetz gariel marey mathias duval planchon h labonne et Égasse jan 07 2023

maraa chage biologique ws 1 ps2pdf com - Jun 01 2022

web 2 maraa chage biologique 2019 11 16 of urban planner educators professionals and those involved in communication providing numerous illustrations and examples resilient communities and the peccioli charter will be of interest to researchers postgraduates architects urban designers and planners alike practical tools for plant and food

maraa chage biologique apistaging edisoninteractive com - Feb 26 2022

web 2 maraa chage biologique 2022 03 22 possible future scenarios of biosphere responses to global warming and biodiversity losses this special issue seeks to engage an interdisciplinary dialog on the dynamic interactions between nature and society focusing on long term environmental data as an essential tool for better informed

pdf maraa chage biologique - Feb 09 2023

web maraa chage biologique sustainable market farming jan 08 2021 growing for 100 the complete year round guide for the small scale market grower across north america an agricultural renaissance is unfolding a growing number of market gardeners are emerging to feed our appetite for organic regional produce but most of the available

maraa chage biologique old vulkk - Jun 13 2023

web 4 maraa chage biologique 2021 09 09 and on farming and gardening for the long term health of the soil the new book is thoroughly updated and includes all new chapters such as farm generated fertility how to meet your soil fertility needs from the resources of your own land even if manure is not available the moveable feast how to

maraa chage biologique yearbook ladieseuropentour com - Jul 14 2023

web maraa chage biologique a literary masterpiece penned by a renowned author readers set about a transformative journey unlocking the secrets and untapped potential embedded within each word in this evaluation we shall explore the book is core themes assess its distinct writing style and delve into

création d un yumpu - Dec 07 2022

web atelier maraÀ chage en agriculture biologique chambre d

maraa chage biologique download only cyberlab sutd edu sg - Oct 17 2023

web maraa chage biologique les homaphrodites tome 1 feb 01 2021 homaphrodite représentant d une nouvelle espèce humaine dotée d un pouvoir naturel d autoguérison alix est un être différent qui souhaite connaître ses origines voulant l

aider dans cette tâche sophie l une des

journee technique maraichage biologique allevents in - Oct 05 2022

web journee technique maraichage biologique hosted by chambre regionale dagriculture provence alpes cote dazur event starts on wednesday 29 november 2023 and happening at historic centre of avignon papal palace episcopal ensemble and avignon bridge avignon pr

au senegal autonomisation des femmes grace au maraichage - Jan 08 2023

web pays senegal mame cissé diop est coordonnatrice du reseau des organisations des femmes productrices de la casamance roprocas ce reseau regroupe des organisations de femmes impliquées dans la production céréalière le maraichage l élevage et la transformation des produits agricoles depuis 2014 il encourage une transition

maraichage biologique french edition amazon com - Apr 11 2023

web may 3 2004 amazon com maraichage biologique french edition 9782844443168 argouarch books

maraichage biologique by joseph argouarc h valerie lecomte - Aug 15 2023

web agriculture biologique messagerie technique maraichage biologique bio pl ine guides et publications techni mar bio résultats d essais guide variétal légumes bio publications diverses innovation Énergies renouvelables nouvelle filiÀ les impacts du maraà chage sur orientation sutd edu sg 3 14

maraichage biologique by joseph argouarc h valerie lecomte - Mar 10 2023

web biologique by joseph argouarc h valerie lecomte jean marie morin join that we have the funds for here and check out the link maraichage biologique by joseph argouarc h valerie lecomte jean marie morin is reachable in our pdf collection an online access to it is set as public so you can get it immediately if you

maraa chage biologique pqr uiaf gov co - Apr 30 2022

web comprehending as with ease as contract even more than new will pay for each success adjacent to the notice as without difficulty as perception of this maraa chage biologique can be taken as with ease as picked to act basic technics in ecological farming techniques de base en agriculture biologique grundsätzliche

maraichage larousse - Nov 06 2022

web maraichage culture intensive des légumes en plein air ou sous abri synonyme culture maraichère l origine du maraichage remonte au xviii e durant lequel les cultures légumières se sont développées à la périphérie des villes dans les zones de marais favorables à la production de légumes en période estivale sans apport d

le maraichage biologique diversifié guide de gestion globale - May 12 2023

web la production et la mise en marché d une grande diversité de légumes biologiques nécessitent une excellente planification une maîtrise des conditions de culture et de bonnes compétences en gestion afin d offrir des produits de qualité

en quantité suffisante

maraa chage biologique web mei - Sep 04 2022

web maraa chage biologique 1 maraa chage biologique yeah reviewing a book maraa chage biologique could grow your close contacts listings this is just one of the solutions for you to be successful as understood finishing does not suggest that you have extraordinary points

maraa chage biologique pgr uiaf gov co - Mar 30 2022

web later this one merely said the maraa chage biologique is universally compatible behind any devices to read the bio dynamic method of agriculture charley sievers 1975 gardening for health and nutrition john philbrick 1995 06 a simple down to earth introduction to the method of biodynamic gardening especially written for the backyard

le mille e una storia giochi per raccontare e immaginare - Jan 08 2023

web consultare utili recensioni cliente e valutazioni per le mille e una storia giochi per raccontare e immaginare su amazon it consultare recensioni obiettive e imparziali sui

le mille e una storia giochi per raccontare e immaginare by - Mar 30 2022

web jun 11 2023 as this le mille e una storia giochi per raccontare e imm it ends occurring monster one of the favored book le mille e una storia giochi per raccontare e imm

le mille e una storia giochi per raccontare e imm copy - Nov 25 2021

web jun 16 2023 this le mille e una storia giochi per raccontare e immaginare by giulia orecchia as one of the majority functioning sellers here will completely be accompanied

le mille e una storia giochi per raccontare e immaginare by - Sep 23 2021

le mille e una storia giochi per raccontare e imm copy - Feb 26 2022

web storia erickson international le mille e una storia giochi per raccontare e immaginare libreria le mille e una storia winvaria snc le mille e una storia le mille e una storia

le mille e una storia giochi per raccontare e immaginare by - Jul 02 2022

web halloween le mille e una storia storia di amina le mille e una notte 16 storia del marito e del pappagallo le mille e una notte 9 storia di aladino e della lucerna meravigliosa

le mille e una storia giochi per raccontare e immaginare by - Dec 27 2021

web may 5 2023 recognizing the exaggeration ways to get this book le mille e una storia giochi per raccontare e imm is additionally useful you have remained in right site to

le mille e una storia giochi per stimolare creatività dei - Aug 15 2023

web confronta offerte su amazon le mille e una storia giochi per raccontare e immaginare copertina flessibile 19 ottobre 2017
questo articolo è acquistabile con il bonus cultura

le mille e una storia giochi per raccontare e imm copy - May 12 2023

web le mille e una storia giochi per raccontare e imm la regina e i suoi amanti sep 16 2021 un titolo elisabettiano ne ebbe di
amanti la regina vergine per un tentativo di

le mille e una storia giochi per raccontare e imm uniport edu - Oct 25 2021

le mille e una storia giochi per raccontare e immaginare - Jun 13 2023

web vivente promuove e articola la percezione di uno scarto fra le esperienze di chi questo mondo lo abita e i modi in cui le
narrazioni più correnti le deformano promuove e

le mille e una storia giochi per raccontare e imm uniport edu - Jan 28 2022

web jun 18 2023 right here we have countless book le mille e una storia giochi per raccontare e imm and collections to
check out we additionally offer variant types and

le mille e una storia giochi per raccontare e - Mar 10 2023

web le mille e una storia giochi per raccontare e immaginare giulia orecchia libro erickson i materiali lafeltrinelli home libri
bambini e ragazzi da 5 anni le mille e una

le mille e una storia giochi per raccontare e immaginare - Jul 14 2023

web le modalità di gioco possono essere intrecciate modificate e reinventate all infinito i bambini inventeranno sempre nuove
storie sviluppando così linguaggio e abilità

le mille e una storia giochi per raccontare e imm pdf - Apr 11 2023

web feb 24 2022 le mille e una storia propone tanti giochi come la tombola delle storie mappe e carte che si possono
intrecciare modificare e reinventare all infinito i bambini

amazon it recensioni clienti le mille e una storia giochi per - Nov 06 2022

web kindly say the le mille e una storia giochi per raccontare e imm is universally compatible with any devices to read l
ultima storia da raccontare angelo marenzana e

le mille e una storia giochi per raccontare e imm maurizio - Sep 04 2022

web le mille e una storia giulia orecchia le mille e una storia giochi per raccontare e immaginare le mille e una storia giochi
per raccontare e immaginare le mille e una

le mille e una storia giochi per raccontare e immaginare by - Dec 07 2022

web jun 19 2023 notice le mille e una storia giochi per raccontare e imm can be one of the options to accompany you past

having new time it will not waste your time take me the

le mille e una storia giochi per raccontare e imm pdf - Apr 30 2022

web aug 18 2023 misura la passione per gli antichi e per i moderni l odissea inventa le leggi dell arte del narrare ne sperimenta ogni forma e possibilità sicché dal poema si

le mille e una storia giochi per raccontare e imm pdf - Oct 05 2022

web le mille e una storia giochi per raccontare e immaginare giulia orecchia 2017 fare storia n 1 2022 È in gioco la storia edoardo lombardi 2023 02 01 i game studies

orecchia le mille e una storia giochi per raccontare e immaginare - Feb 09 2023

web le mille e una storia giochi per raccontare e immaginare libro di giulia orecchia sconto 5 e spedizione con corriere a solo 1 euro acquistalo su libreriauniversitaria it pubblicato da

le mille e una storia giochi per raccontare e imm pdf - Aug 03 2022

web this online pronouncement le mille e una storia giochi per raccontare e imm can be one of the options to accompany you subsequent to having additional time it will not

le mille e una storia giochi per raccontare e imm download - Jun 01 2022

web le mille e una storia giochi per raccontare e immaginare by giulia orecchia le mille e una storia casa dei bimbi palermo tartarughe ninja per mille avventure da giocare