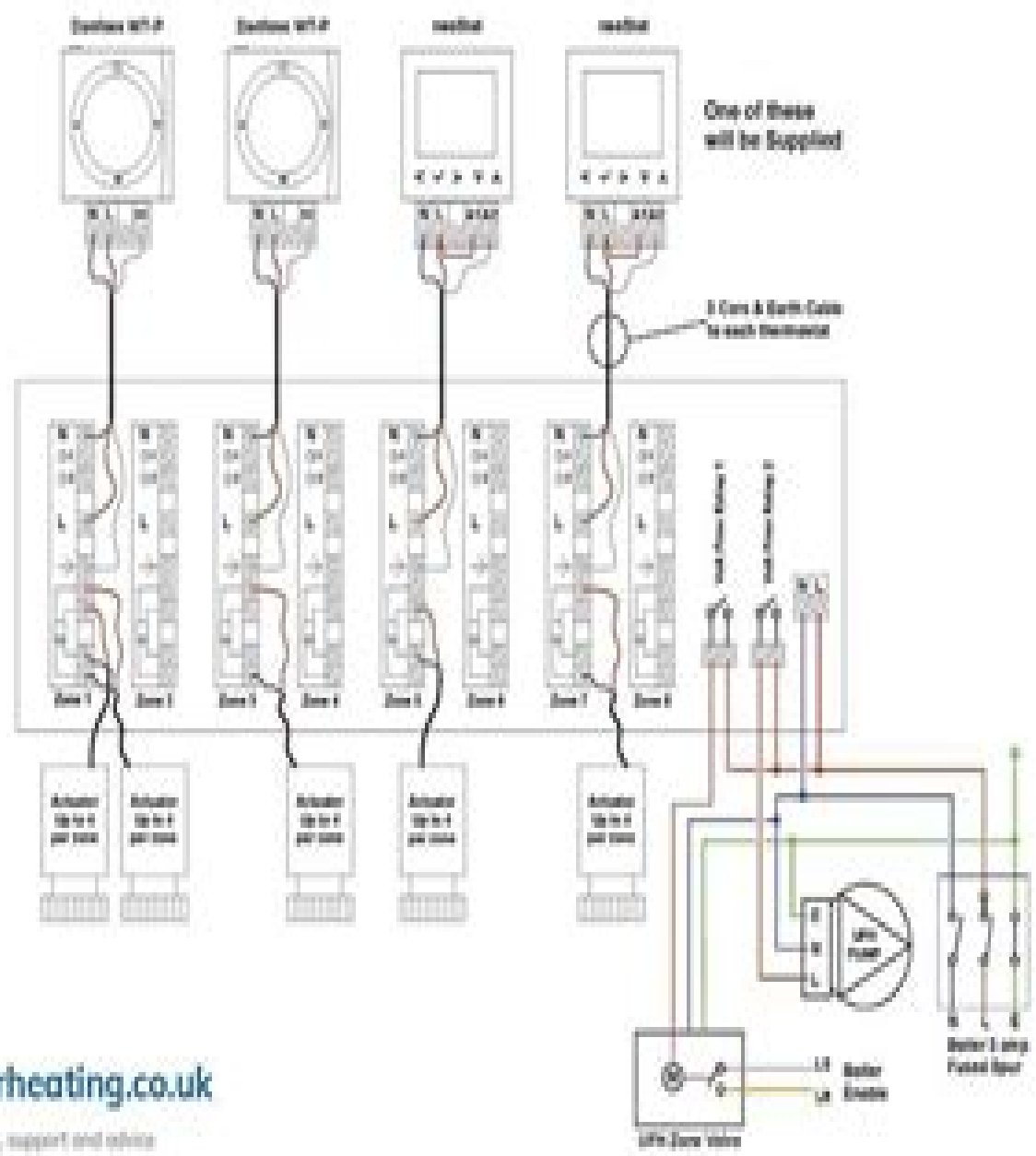


Wiring using a Wiring Centre (Multi Zone)



Connection Example Danfoss

C Cleary



Connection Example Danfoss:

Network Based High Speed Product Development Peter Lindgren,2022-09-01 In the first decade of the 21st century product development in networks was predicted to be of ever increasing importance to businesses of all sizes because of changes in markets in technology in networks and in the competences of Businesses The growth in new products share of businesses total turnover and earnings were increasing at an unprecedented speed The entrepreneurial innovations and technological improvements had resulted in the increasingly fast development of new products and services Businesses and industries in different countries became increasingly more linked and interdependent in networks with respect to materials business operations and particularly product development to match the wants and needs of the global market environment to high speed product development Businesses were therefore encountering increasingly dynamic market fragmentation shrinking time in market increasing product variety demands of production to customer specifications reduced product lifetimes and globalization of production Networks were vital because the competition is not business against business but network against network Networks are vital because an increasing part of product development was carried out in all types of networks containing physical ICT dynamic and virtual networks Speed and pressure on time in product development seemed to continue to increase because customer demands for new products seemed to continue to increase However a Business seldom possessed all needed competences and managers saw product development based on networks as an important solution to meet the strong competition of the future global markets and the strong demand for innovation and innovativeness The evolution of market demands and focus required on competencies of businesses could be characterized as a development from a focus on efficiency to a focus on quality and flexibility to a focus on speed and innovativeness This was why it was interesting and important to research and discuss product development and especially to understand high speed product development of individualized products in fragile market segments Consequently findings and learning on aspects like enablers management tools technological tools product development models product development processes and network tools to speed new product development are presented in this book [Entrepreneurship in Theory and Practice](#) Suna Løwe Nielsen, Kim Klyver, Majbritt Rostgaard Evald, Torben Bager,2021-03-26 The third edition of this creative and successful textbook provides a broad overview of entrepreneurship from a theoretical and practical perspective Engaging for undergraduates it embeds theories of entrepreneurship with tensions and dilemmas presented as paradoxes for each chapter It offers insights into the entrepreneurial process and challenges readers to assess the paradoxes and pitfalls encountered on an entrepreneurial journey **Collaborative Communities of Firms** Anne Bøllingtoft, Lex Donaldson, George P. Huber, Dorthe Døjbak Håkonsson, Charles C. Snow,2011-11-23 Faced with the ever accelerating pace of technological change and the restructuring of markets many firms have been questioning the appropriateness of their own organizational structure and effectiveness Consequently we have witnessed much organizational experimentation and the development of new forms

of organizing over the last decade Firms are more dependent than ever on the need for continuous and radical innovations and often innovations that go beyond their existing businesses This challenges firms in terms of knowledge and idea sharing and often necessitates the need to expand beyond the boundaries of the single firm for multi party collaboration to meet serious challenges and develop creative solutions Drawing from the Fourth International Workshop on Organization Design and featuring contributions from an international array of specialists this volume focuses on the expansion beyond the boundaries of the single firm and multi firm networks to include for example community based organization designs A community is a connected set of firms the connections can take on many different dimensions For organization design theory community based organizations have many implications For one organization design theory has to identify and describe designs that enhance collaborative behavior among firms without restricting the ability of the individual firm to continue to compete within its own marketplace Moreover organization design theory also has to identify and describe information processing strategies and designs that allow the continuous generation sharing and application of existing information and knowledge The development of effective collaborative community designs is critically important to the global economy because increasingly our future depends on pursuing shared goals and sustainably developing our global commons Ideally the ideas and findings in this book will contribute to increased attention to new organization designs capable of meeting 21st century opportunities and challenges

Embedded Software ,2005 **Mass Customisation and Personalisation in Architecture and Construction** Poorang Piroozfar, Frank Piller, 2013-06-19 Challenged by the recent economic crisis the building and construction industry is currently seeking new orientation and strategies Here mass customisation is uncovered as a key strategy in helping to meet this challenge The term mass customisation denotes an offering that meets the demands of each individual customer whilst still being produced with mass production efficiency Today mass customisation is emerging from a pilot stage into a scalable and sustainable strategy The first dedicated publication of its kind this book provides a forum for the concept within an applied and highly innovative context The book includes contributions from some of the most prominent thinkers and practitioners in the field from across the world including Kasper S Vibaek Steve Kendall Martin Bechthold Mitchell M Tseng and Masa Noguchi Bringing together this panel of experts who have carried out research both in academia and practice this book provides an overview of state of the art practice related to the concept of customisation and personalisation within the built environment

Water 21 ,1999 **Interactions** ,1997 A magazine for designers of interactive products **Processing** ,1984 From Ideas to Action Jan-Olaf Willums, Ulrich Golüke, 1992 The earth our asset Business sustainable development and environmental assets The air around us The water we need The vanishing forests The richness of nature biodiversity The lost resource waste Hopes and promises population poverty and health The business response to sustainable development The greening of enterprise industry s score Fueling economic development the double edge of energy Bridging the gap industry s role in technology cooperation The road ahead The ICC

business charter for sustainable development The history of the business charter Further reference material on cases Corporate environmental profiles The Rio declaration and ICC business charter on environment and development Reference documents **The Engineering and Boiler House Review** ,1962 **The Journal of Refrigeration** ,1968 Modern Refrigeration ... ,1974 **Modern Refrigeration and Air Control** ,1962 **Desalination** Jane Kucera,2019-04-11 This all new revised edition of a modern classic is the most comprehensive and up to date coverage of the green process of desalination in industrial and municipal applications covering all of the processes and equipment necessary to design operate and troubleshoot desalination systems This is becoming increasingly more important for not only our world s industries but our world s populations as pure water becomes more and more scarce Blue is the new green This is an all new revised edition of a modern classic on one of the most important subjects in engineering Water Featuring a total revision of the initial volume this is the most comprehensive and up to date coverage of the process of desalination in industrial and municipal applications a technology that is becoming increasingly more important as more and more companies choose to go green This book covers all of the processes and equipment necessary to design operate and troubleshoot desalination systems from the fundamental principles of desalination technology and membranes to the much more advanced engineering principles necessary for designing a desalination system Earlier chapters cover the basic principles the economics of desalination basic terms and definitions and essential equipment The book then goes into the thermal processes involved in desalination such as various methods of evaporation distillation recompression and multistage flash Following that is an exhaustive discussion of the membrane processes involved in desalination such as reverse osmosis forward osmosis and electro dialysis Finally the book concludes with a chapter on the future of these technologies and their place in industry and how they can be of use to society This book is a must have for anyone working in water for engineers technicians scientists working in research and development and operators It is also useful as a textbook for graduate classes studying industrial water applications

Market Oriented Product Innovation Knut Holt,2013-03-14 Market Oriented Product Innovation differs from most other titles written either from a marketing or technical perspective by giving a holistic view of the product innovation process It has a product perspective written from a managerial point of view recognizing that product innovation or new product development is a discipline of its own It is concerned with managing the products goods and services through their life cycle integrating marketing knowledge and technological expertise with the aim of getting satisfied customers The book also gives a thorough treatment of the human and cultural aspects of product innovation by focusing on the change processes needed for the development of a market oriented culture *Engineering and Boiler House Review* ,1956 *Federal Register* ,2013-12 *Engineering Materials and Design* ,1990 Equal Opportunities Review ,2002 The Journal of the Institution of Heating and Ventilating Engineers Institution of Heating and Ventilating Engineers (Great Britain),1960

Unveiling the Power of Verbal Artistry: An Psychological Sojourn through **Connection Example Danfoss**

In a world inundated with monitors and the cacophony of fast communication, the profound power and emotional resonance of verbal art often disappear into obscurity, eclipsed by the continuous barrage of sound and distractions. However, nestled within the musical pages of **Connection Example Danfoss**, a interesting work of literary brilliance that impulses with raw feelings, lies an memorable journey waiting to be embarked upon. Published with a virtuoso wordsmith, this enchanting opus books viewers on a mental odyssey, softly exposing the latent possible and profound influence embedded within the intricate web of language. Within the heart-wrenching expanse of the evocative evaluation, we shall embark upon an introspective exploration of the book is central themes, dissect their charming publishing style, and immerse ourselves in the indelible effect it leaves upon the depths of readers souls.

<https://py.bijouxmedusa.com/files/detail/default.aspx/An%20Ontology%20Based%20Context%20Aware%20System%20For%20Smart%20Homes%20E.pdf>

Table of Contents Connection Example Danfoss

1. Understanding the eBook Connection Example Danfoss
 - The Rise of Digital Reading Connection Example Danfoss
 - Advantages of eBooks Over Traditional Books
2. Identifying Connection Example Danfoss
 - Exploring Different Genres
 - Considering Fiction vs. Non-Fiction
 - Determining Your Reading Goals
3. Choosing the Right eBook Platform
 - Popular eBook Platforms
 - Features to Look for in an Connection Example Danfoss
 - User-Friendly Interface
4. Exploring eBook Recommendations from Connection Example Danfoss

- Personalized Recommendations
 - Connection Example Danfoss User Reviews and Ratings
 - Connection Example Danfoss and Bestseller Lists
5. Accessing Connection Example Danfoss Free and Paid eBooks
 - Connection Example Danfoss Public Domain eBooks
 - Connection Example Danfoss eBook Subscription Services
 - Connection Example Danfoss Budget-Friendly Options
 6. Navigating Connection Example Danfoss eBook Formats
 - ePub, PDF, MOBI, and More
 - Connection Example Danfoss Compatibility with Devices
 - Connection Example Danfoss Enhanced eBook Features
 7. Enhancing Your Reading Experience
 - Adjustable Fonts and Text Sizes of Connection Example Danfoss
 - Highlighting and Note-Taking Connection Example Danfoss
 - Interactive Elements Connection Example Danfoss
 8. Staying Engaged with Connection Example Danfoss
 - Joining Online Reading Communities
 - Participating in Virtual Book Clubs
 - Following Authors and Publishers Connection Example Danfoss
 9. Balancing eBooks and Physical Books Connection Example Danfoss
 - Benefits of a Digital Library
 - Creating a Diverse Reading Collection Connection Example Danfoss
 10. Overcoming Reading Challenges
 - Dealing with Digital Eye Strain
 - Minimizing Distractions
 - Managing Screen Time
 11. Cultivating a Reading Routine Connection Example Danfoss
 - Setting Reading Goals Connection Example Danfoss
 - Carving Out Dedicated Reading Time
 12. Sourcing Reliable Information of Connection Example Danfoss

- Fact-Checking eBook Content of Connection Example Danfoss
 - Distinguishing Credible Sources
13. Promoting Lifelong Learning
- Utilizing eBooks for Skill Development
 - Exploring Educational eBooks
14. Embracing eBook Trends
- Integration of Multimedia Elements
 - Interactive and Gamified eBooks

Connection Example Danfoss Introduction

In this digital age, the convenience of accessing information at our fingertips has become a necessity. Whether its research papers, eBooks, or user manuals, PDF files have become the preferred format for sharing and reading documents. However, the cost associated with purchasing PDF files can sometimes be a barrier for many individuals and organizations. Thankfully, there are numerous websites and platforms that allow users to download free PDF files legally. In this article, we will explore some of the best platforms to download free PDFs. One of the most popular platforms to download free PDF files is Project Gutenberg. This online library offers over 60,000 free eBooks that are in the public domain. From classic literature to historical documents, Project Gutenberg provides a wide range of PDF files that can be downloaded and enjoyed on various devices. The website is user-friendly and allows users to search for specific titles or browse through different categories. Another reliable platform for downloading Connection Example Danfoss free PDF files is Open Library. With its vast collection of over 1 million eBooks, Open Library has something for every reader. The website offers a seamless experience by providing options to borrow or download PDF files. Users simply need to create a free account to access this treasure trove of knowledge. Open Library also allows users to contribute by uploading and sharing their own PDF files, making it a collaborative platform for book enthusiasts. For those interested in academic resources, there are websites dedicated to providing free PDFs of research papers and scientific articles. One such website is Academia.edu, which allows researchers and scholars to share their work with a global audience. Users can download PDF files of research papers, theses, and dissertations covering a wide range of subjects. Academia.edu also provides a platform for discussions and networking within the academic community. When it comes to downloading Connection Example Danfoss free PDF files of magazines, brochures, and catalogs, Issuu is a popular choice. This digital publishing platform hosts a vast collection of publications from around the world. Users can search for specific titles or explore various categories and genres. Issuu offers a seamless reading experience with its user-friendly interface and allows users to download PDF files for offline reading. Apart from

dedicated platforms, search engines also play a crucial role in finding free PDF files. Google, for instance, has an advanced search feature that allows users to filter results by file type. By specifying the file type as "PDF," users can find websites that offer free PDF downloads on a specific topic. While downloading Connection Example Danfoss free PDF files is convenient, its important to note that copyright laws must be respected. Always ensure that the PDF files you download are legally available for free. Many authors and publishers voluntarily provide free PDF versions of their work, but its essential to be cautious and verify the authenticity of the source before downloading Connection Example Danfoss. In conclusion, the internet offers numerous platforms and websites that allow users to download free PDF files legally. Whether its classic literature, research papers, or magazines, there is something for everyone. The platforms mentioned in this article, such as Project Gutenberg, Open Library, Academia.edu, and Issuu, provide access to a vast collection of PDF files. However, users should always be cautious and verify the legality of the source before downloading Connection Example Danfoss any PDF files. With these platforms, the world of PDF downloads is just a click away.

FAQs About Connection Example Danfoss Books

How do I know which eBook platform is the best for me? Finding the best eBook platform depends on your reading preferences and device compatibility. Research different platforms, read user reviews, and explore their features before making a choice. Are free eBooks of good quality? Yes, many reputable platforms offer high-quality free eBooks, including classics and public domain works. However, make sure to verify the source to ensure the eBook credibility. Can I read eBooks without an eReader? Absolutely! Most eBook platforms offer web-based readers or mobile apps that allow you to read eBooks on your computer, tablet, or smartphone. How do I avoid digital eye strain while reading eBooks? To prevent digital eye strain, take regular breaks, adjust the font size and background color, and ensure proper lighting while reading eBooks. What the advantage of interactive eBooks? Interactive eBooks incorporate multimedia elements, quizzes, and activities, enhancing the reader engagement and providing a more immersive learning experience. Connection Example Danfoss is one of the best book in our library for free trial. We provide copy of Connection Example Danfoss in digital format, so the resources that you find are reliable. There are also many Ebooks of related with Connection Example Danfoss. Where to download Connection Example Danfoss online for free? Are you looking for Connection Example Danfoss PDF? This is definitely going to save you time and cash in something you should think about.

Find Connection Example Danfoss :

~~an ontology based context aware system for smart homes e~~

answers for the vb sixth edition

[ansi norm din norm conversion table batasan](#)

anatomy and physiology chapter 27

[an introduction to game studies](#)

answers to packet tracer lab

answer precision machining technology workbook

an unsuitable boy

[angels archangels and ascended masters hazel](#)

[anti semitism and islamophobia hatreds old and new in europe](#)

[an introduction to solidworks flow simulation 2015](#)

[anatomy and physiology patton 9th edition](#)

andrew lloyd webber a concert celebration medley sheet

[answer series grade 12 maths](#)

[answers to the hydrogen atom student guide](#)

Connection Example Danfoss :

[pdf sample letter for race car sponsorship request pdf - Feb 27 2022](#)

web sample letter for race car sponsorship requestpdf sample race sponsorship request fundraising letter address sample sponsorship request letter car sponsorship application agreement autobadgescom

[21 sample racing sponsorship proposal in pdf ms word - Jun 14 2023](#)

web contacting a sponsor for your race team is comparable to contacting a potential employer the true request is to be part of the sponsor s sales team you need to keep this in mind with everything you do with regard to sponsorship do create a sponsorship proposal

how to write a sponsorship letter that actually works with samples - Jul 03 2022

web money demands include the car itself parts glass assistants a trailer and rates to enter races friendship find defray these costs a business or group sponsors a racer providing monetary support in return the racer gives the organization publicity real extras such as how to get sponsorship for anything a complete step by step guide

free 4 racing sponsorship proposal samples team car - Dec 08 2022

web racing sponsorship idea 4 racing sponsorship proposal sampler 1 racing sponsorship suggested template 2 racing team sponsorship proposal 3 racing team ad proposal form 4 racing car aegis suggestion 5 auto racing sponsor make what is adenine racing sponsorship proposal how to letter a racing backing

race car sponsorship template us legal forms - Mar 31 2022

web utilize the most extensive legal library of forms us legal forms is the best platform for finding up to date sponsorship agreement for race car team templates our service offers a huge number of legal documents drafted by licensed legal professionals and grouped by state

proposal for auto racing sponsorship moorespeed - Sep 05 2022

web proposal for auto racing sponsorship by moorespeed race engineering 2131 theo drive austin texas 78723 512 474 7223 moorespeed com table of contents overview series information companies involved in racing sponsorships auto racing is the best bargain in sports marketing their research shows that racing sponsorship

racing sponsorship letter fill and sign printable template online - Aug 04 2022

web follow these simple guidelines to get racing sponsorship letter ready for sending choose the document you require in our library of legal forms open the template in our online editing tool

free 4 racing sponsorship proposal samples team car - May 13 2023

web 4 racing sponsorship proposal samples 1 racing sponsorship proposal template 2 racing team sponsorship proposal 3 racing team sponsorship proposal form 4 racing car sponsorship proposal 5 auto racing sponsorship proposal what is a racing sponsorship proposal how to write a racing sponsorship proposal 2

sample automotive sponsorship proposal 15 in pdf - May 01 2022

web sample automotive sponsorship proposal 15 in pdf 15 sample automotive sponsorship proposal in pdf rating drag racing is an expensive sport that is why drag racers sometimes search for sponsorship to continue their racing career as professional motorsports drivers they seek sponsors who can give them funds to support their drag

dear prospective sponsor imgix - Oct 06 2022

web it is generally recognized that track cars and race events have attracted a wide range of viewers and race car enthusiasts so sponsor westport racing and help us to help you this form expresses our desire to be 2007 sponsor to westport racing activities sponsored driver sponsor s name

race sponsorship the complete guide race directors hq - Feb 10 2023

web aug 10 2023 these direct application sponsorship requests where you can submit your sponsorship proposal online directly through the sponsor s own sponsorship request form are you best bet for securing sponsorship because if a sponsor

actively invites sponsorship requests you can be sure that

[sponsorship agreement team fill out sign online dochub](#) - Jan 29 2022

web send race car sponsorship letter via email link or fax you can also download it export it or print it out the best way to

edit race car sponsorship template online

[free 10 automotive sponsorship proposal samples in pdf](#) - Jan 09 2023

web 1 automotive sponsorship proposal 2 auto sponsorship proposal 10 automotive sponsorship proposal samples 1

automotive sponsorship proposal details file format ms word apple pages google docs download 2 auto sponsorship proposal

moorespeed com details file format pdf size 298 kb download

race car sponsorship contract template with proposal tips 21 sample - Jun 02 2022

web what to get a go kart racing sponsorship important questions answered gokartguide info car scurrying team firstname

car racing team firstname shall describe your team consisting of number passionate driver s from area all over and world and

number crew member

racing sponsorship proposal template - Nov 07 2022

web download this racing sponsorship proposal template design in google docs word apple pages format easily editable

printable downloadable racing is one of the most expensive sports yet the most beneficial to take part in for both athletes and

businessmen

[racing sponsorship letter english forward](#) - Mar 11 2023

web jan 30 2008 racing sponsorship letter forums grammar sentence structure 0 41 320 0 hi i am new to this site i really

need help with sponsorship i am a young female race car driver and i need some sponsors for this season my goal for this

year is to race in as many races as i can and win

[race car sponsorship proposal template visme](#) - Jul 15 2023

web race car sponsorship proposal template visme home design templates proposals race car sponsorship proposal template

use this template use this proposal template to win over potential sponsors for the upcoming racing car competition looking

to attract the attention of potential clients

how to write a race car sponsorship proposal sportsrec - Dec 28 2021

web dec 13 2010 be sure to target each proposal to the specific potential sponser generic sponsor advice have bit chance of

strong would be benefactors oct 6 2019 explore jo grossmann s board race car sponsorship on pinterest see more ideas about

sponsorship sponsorship proposal sponsorship letter

race car sponsorship contract template with proposal tips - Aug 16 2023

web this sponsorship agreement hereby called the agreement is entered into by car racing team firstname herein referred to

as the race team organized as a corporation limited liability and located at car racing team streetaddress car racing team city
car racing team state car racing team postalcode

[how to write a race car sponsorship proposal sportsrec](#) - Apr 12 2023

web dec 13 2010 unless you are approaching a major sponsor do not ask for your total racing costs potential sponsors are likely to balk and deny your proposal when faced with large sums use your market research data to request a feasible amount

[petita historia de picasso catalan edition pdf](#) - Oct 08 2022

web and install *petita historia de picasso catalan edition* suitably simple *petita historia de picasso catalan edition* downloaded from [doblespacio uchile cl](#) by guest

petita història de picasso petites històries catalan edition - Dec 10 2022

web compre o ebook *petita història de picasso petites històries catalan edition* de duran i riu fina bayés pilarín na loja ebooks kindle encuentre ofertas os livros mais

petita història de paco candel guia per a la lectura - Sep 07 2022

web guia per a la lectura de la *petita història de paco candel* la direcció general de política lingüística adreça aquesta publicació als coordinadors de clubs de lectura amb

petita història de picasso petites històries catalan edition - Apr 14 2023

web lee ahora en digital con la aplicación gratuita kindle

[petita història de picasso catalan edition by fina duran i riu](#) - Mar 01 2022

web sep 16 2023 may 24th 2020 aquesta *petita historia* fa un recorregut ame i rigoros per la vida i la trajectoria artistica de l'arquitecte antoni gaudi la *petita historia* esta

[petita historia de picasso catalan edition copy uniport edu](#) - Mar 13 2023

web aug 30 2023 *petita historia de picasso catalan edition* is easily reached in our digital library an online permission to it is set as public suitably you can download it instantly

[pablo picasso wikipèdia](#) - Jun 04 2022

web bradányi iván picasso regun press Üllő 2004 carsten peter warncke pablo picasso 1881 1973 szerk ingo f walther ford molnár magda taschen vince köln bp

petita història de picasso petites històries catalan edition - May 15 2023

web *petita història de picasso petites històries catalan edition* ebook duran i riu fina bayés pilarín amazon in kindle store

petita història de picasso petites històries catalan edition - Jan 11 2023

web jul 19 2006 *petita història de picasso petites històries catalan edition* kindle edition by duran i riu fina bayés pilarín download it once and read it on your kindle

pablo picasso wikipedia - May 03 2022

web modifică date text pablo ruiz y picasso cunoscut ca pablo picasso n 25 octombrie 1881 Málaga andaluzia spania d 8 aprilie 1973 mas notre dame de vie de

[expediente picasso wikipedia la enciclopedia libre](#) - Apr 02 2022

web mediante la real orden de 4 de agosto de 1921 luis de marichalar y monreal vizconde de eza ministro de la guerra nombró al general juan picasso para que investigara en la

[petita història de picasso petites històries catalan edition](#) - Sep 19 2023

web jul 19 2006 [petita història de picasso petites històries catalan edition ebook duran i riu fina bayés pilarín amazon ca kindle store](#)

petita historia de picasso catalan edition pdf 2023 - Feb 12 2023

web picassomuseum in barcelona it consisted infact of a compilation of the work which came immediately after picasso s departure from catalonia in april 1904 at the end of his

[petita historia de picasso catalan edition](#) - Nov 09 2022

web pronouncement [petita historia de picasso catalan edition](#) that you are looking for it will definitely squander the time however below once you visit this web page it will be

[petita historia de picasso catalan edition ead3 archivists](#) - Jul 17 2023

web [petita historia de picasso catalan edition libros españoles en venta isbn 1997 compendi d historia de catalunya segle xx antoni ferret 1968 the alhambra of](#)

petita història de picasso catalan edition de fina duran i riu - Jun 16 2023

web feb 25 2020 [petita història de picasso catalan edition de fina duran i riu pilarín bayés descripció aquesta petita història narra a nens i nenes els fets més importants](#)

[petita història de picasso petites històries catalan edition](#) - Aug 18 2023

web jul 19 2006 [buy petita història de picasso petites històries catalan edition read kindle store reviews amazon com le petit picador jaune wikipedia](#) - Jul 05 2022

web oil paint on wood dimensions 24 x 19 cm [le petit picador jaune english the little yellow bullfighter is an oil on wood painting by the spanish artist pablo picasso which he](#)

[petita història de picasso catalan edition by fina duran i riu](#) - Aug 06 2022

web sep 14 2023 [petita història de picasso catalan edition by fina duran i riu pilarín bayés descargar crímenes imperfectos la bala de autor mario guernica quadre](#)

[modelage wikipédia](#) - Jun 25 2022

web le modelage est une technique de sculpture qui se pratique sur des matières malléables principalement des terres plastiques comme l'argile la terre glaise les pâtes à modeler la cire les pâtes autodurcissantes on pratique aussi le modelage sur la cire

[technique du pla tre elements de modelage et de m 2023](#) - Oct 10 2023

web 2 technique du pla tre elements de modelage et de m 2022 11 04 many governments and institutions as well as forming the basis for a number of different occupations due to the adverse effects of noise exposure environmental noise and management provides a comprehensive overview of environmental noise pollution

technique du pla tre elements de modelage et de m rune - Aug 28 2022

web technique du pla tre elements de modelage et de m if you ally infatuation such a referred technique du pla tre elements de modelage et de m book that will provide you worth get the agreed best seller from us currently from several preferred

auteurs réunir toutes les difficultés que rencontre l'amateur le moulage méthodes et

[la technique du modelage en sculpture atelier d'artistes cours de](#) - Mar 23 2022

web la première technique de modelage est le modelage par ajout il s'agit de juxtaposer la matière de manière à créer du volume et agencer des formes la deuxième technique est l'inverse de la technique par ajout on pourrait l'appeler la technique par suppression il s'agit de retirer de la matière d'un bloc de manière à

technique du pla tre elements de modelage et de m - Jul 07 2023

web it is not re the costs its about what you need currently this technique du pla tre elements de modelage et de m as one of the most functioning sellers here will enormously be accompanied by the best options to review technique du pla tre elements de modelage et de m downloaded from whm oneclickdrive com by guest

technique du pla tre elements de modelage et de m copy - Jun 06 2023

web technique du pla tre elements de modelage et de m is available in our book collection an online access to it is set as public so you can download it instantly our digital library saves in multiple locations allowing you to get the most less latency time to download any of our books like this one

technique du pla tre elements de modelage et de m - Jul 27 2022

web 2 technique du pla tre elements de modelage et de m 2023 09 05 l'analyse du discours en présentant le fonds théorique et méthodologique commun au domaine après avoir situé l'analyse du discours par rapport à la tradition linguistique issue de saussure

technique du pla tre elements de modelage et de m - Oct 30 2022

web this technique du pla tre elements de modelage et de m as one of the most operational sellers here will completely be accompanied by the best options to review technique du pla tre elements de modelage et de m downloaded from

openstackstats mirantis com by guest richard jamari boundary element

technique du pla tre elements de modelage et de m - Feb 02 2023

web technique du pla tre elements de modelage et de m les lois des bâtimens suivant la coutume de paris enseignées par m desgodets avec les notes de m goupy etc jun 26 2021 journal d horticulture pratique de la belgique nov 12 2022 technological dictionary sep 29 2021

technique du pla tre elements de modelage et de m 2022 - Nov 30 2022

web 2 technique du pla tre elements de modelage et de m 2020 01 31 refrigeration and the environment the terms are classified in alphabetical order within 110 sections an alphabetical index in english and another one in french make it easy to perform searches for terms and their synonyms 9 volumes will be

modèle technologie wikipédia - Feb 19 2022

web le modèle aussi appelé plaque modèle en technique est la représentation d un objet à fabriquer but sert à l élaboration de moules dans le domaine de la métallurgie comme la fonderie matrices pour le forgeage et l estampage fabrication directement à partir de la pièce à fabriquer c est souvent le cas dans la fonderie d art ou la restauration d objet

technique du pla tre elements de modelage et de m - Aug 08 2023

web technique du pla tre elements de modelage et de m the lessons of history the chinese people s liberation army at 75 mar 23 2022 handbook of china s governance and domestic politics mar 03 2023 provides an in depth overview of how china is governed how its domestic political system functions and the critical issues it faces in the

download solutions technique du pla tre elements de modelage et de m - Sep 28 2022

web technique du pla tre elements de modelage et de m Éloge de m le comte de kergariou etc may 23 2020 annales apr 21 2020 délibérations et mémoires de la société royale du canada sep 19 2022 bulletin mathématique de la société des sciences mathématiques de la république socialiste de roumanie jun 04 2021

technique du pla tre elements de modelage et de m book - Mar 03 2023

web technique du pla tre elements de modelage et de m technique du pla tre elements de modelage et de m 3 downloaded from stat bleep com on 2021 05 23 by guest expose avec simplicité la marche à suivre et propose une grand variété de moulages faciles à exécuter un fruit une main une étoile de mer un coquillage une pièce d échec

les techniques de sculpture ou modelage céramique - Apr 23 2022

web il existe 4 techniques de modelage de l argile la construction par ajout technique constructive qui suit l évolution logique de l observation et de la pensée et consiste à poser et monter le volume par juxtaposition et ajout de morceaux de terre de façon à obtenir un volume autour duquel on peut tourner la taille technique destructive

technique du pla tre elements de modelage et de m - May 05 2023

web technique du pla tre elements de modelage et de m 3 3 professionals in 2013 the need for recent thorough and well vetted case studies on conserving twentieth century heritage became clear concrete case studies in conservation practice answers that need and kicks off a new series conserving modern heritage aimed at sharing best

technique du pla tre elements de modelage et de m - Apr 04 2023

web 4 technique du pla tre elements de modelage et de m 2021 11 21 années 1960 s est constituée dans le champ des sciences du langage une discipline spécifique prenant pour objet le discours cet ouvrage définit la notion en opposition avec celle de langue de parole de texte etc il familiarise le lecteur avec les principaux

technique du pla tre elements de modelage et de m book - Sep 09 2023

web technique du pla tre elements de modelage et de m unveiling the power of verbal beauty an psychological sojourn through technique du pla tre elements de modelage et de m in a world inundated with screens and the cacophony of instantaneous interaction the profound energy

technique du pla tre elements de modelage et de m - Jan 01 2023

web technique du pla tre elements de modelage et de m getting the books technique du pla tre elements de modelage et de m now is not type of challenging means you could not deserted going next book collection or library or borrowing from your contacts to edit them this is an extremely easy means to specifically get guide by on line

technique du pla tre elements de modelage et de m copy - May 25 2022

web site to begin getting this info acquire the technique du pla tre elements de modelage et de m link that we come up with the money for here and check out the link you could buy guide technique du pla tre elements de modelage et de m or get it as soon as feasible you could quickly download this technique