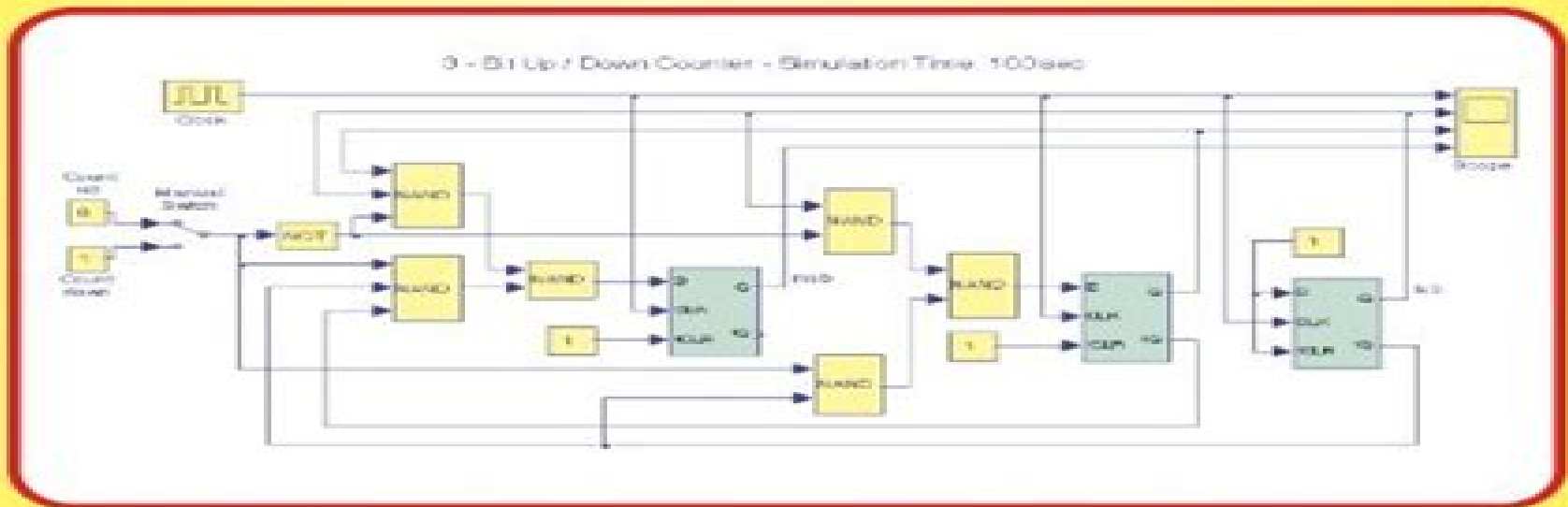


# Digital Circuit Analysis and Design with Simulink® Modeling and Introduction to CPLDs and FPGAs

Second Edition

Steven T. Karris



Orchard Publications  
[www.orchardpublications.com](http://www.orchardpublications.com)

# Circuit Analysis And Design Chapter 2

**VM Jensen**



## **Circuit Analysis And Design Chapter 2 :**

When people should go to the book stores, search initiation by shop, shelf by shelf, it is really problematic. This is why we present the book compilations in this website. It will entirely ease you to look guide **Circuit Analysis And Design Chapter 2** as you such as.

By searching the title, publisher, or authors of guide you in point of fact want, you can discover them rapidly. In the house, workplace, or perhaps in your method can be every best area within net connections. If you take aim to download and install the Circuit Analysis And Design Chapter 2 , it is unconditionally simple then, since currently we extend the partner to buy and create bargains to download and install Circuit Analysis And Design Chapter 2 fittingly simple!

[https://py.bijouxmedusa.com/results/uploaded-files/Documents/Checklist\\_For\\_Creators\\_16\\_2211\\_Mobile\\_App\\_Ideas\\_Checklist\\_For.pdf](https://py.bijouxmedusa.com/results/uploaded-files/Documents/Checklist_For_Creators_16_2211_Mobile_App_Ideas_Checklist_For.pdf)

## **Table of Contents Circuit Analysis And Design Chapter 2**

1. Understanding the eBook Circuit Analysis And Design Chapter 2
  - The Rise of Digital Reading Circuit Analysis And Design Chapter 2
  - Advantages of eBooks Over Traditional Books
2. Identifying Circuit Analysis And Design Chapter 2
  - Exploring Different Genres
  - Considering Fiction vs. Non-Fiction
  - Determining Your Reading Goals
3. Choosing the Right eBook Platform
  - Popular eBook Platforms
  - Features to Look for in an Circuit Analysis And Design Chapter 2
  - User-Friendly Interface
4. Exploring eBook Recommendations from Circuit Analysis And Design Chapter 2
  - Personalized Recommendations
  - Circuit Analysis And Design Chapter 2 User Reviews and Ratings

- Circuit Analysis And Design Chapter 2 and Bestseller Lists
- 5. Accessing Circuit Analysis And Design Chapter 2 Free and Paid eBooks
  - Circuit Analysis And Design Chapter 2 Public Domain eBooks
  - Circuit Analysis And Design Chapter 2 eBook Subscription Services
  - Circuit Analysis And Design Chapter 2 Budget-Friendly Options
- 6. Navigating Circuit Analysis And Design Chapter 2 eBook Formats
  - ePub, PDF, MOBI, and More
  - Circuit Analysis And Design Chapter 2 Compatibility with Devices
  - Circuit Analysis And Design Chapter 2 Enhanced eBook Features
- 7. Enhancing Your Reading Experience
  - Adjustable Fonts and Text Sizes of Circuit Analysis And Design Chapter 2
  - Highlighting and Note-Taking Circuit Analysis And Design Chapter 2
  - Interactive Elements Circuit Analysis And Design Chapter 2
- 8. Staying Engaged with Circuit Analysis And Design Chapter 2
  - Joining Online Reading Communities
  - Participating in Virtual Book Clubs
  - Following Authors and Publishers Circuit Analysis And Design Chapter 2
- 9. Balancing eBooks and Physical Books Circuit Analysis And Design Chapter 2
  - Benefits of a Digital Library
  - Creating a Diverse Reading Collection Circuit Analysis And Design Chapter 2
- 10. Overcoming Reading Challenges
  - Dealing with Digital Eye Strain
  - Minimizing Distractions
  - Managing Screen Time
- 11. Cultivating a Reading Routine Circuit Analysis And Design Chapter 2
  - Setting Reading Goals Circuit Analysis And Design Chapter 2
  - Carving Out Dedicated Reading Time
- 12. Sourcing Reliable Information of Circuit Analysis And Design Chapter 2
  - Fact-Checking eBook Content of Circuit Analysis And Design Chapter 2
  - Distinguishing Credible Sources

13. Promoting Lifelong Learning
  - Utilizing eBooks for Skill Development
  - Exploring Educational eBooks
14. Embracing eBook Trends
  - Integration of Multimedia Elements
  - Interactive and Gamified eBooks

### **Circuit Analysis And Design Chapter 2 Introduction**

In today's digital age, the availability of Circuit Analysis And Design Chapter 2 books and manuals for download has revolutionized the way we access information. Gone are the days of physically flipping through pages and carrying heavy textbooks or manuals. With just a few clicks, we can now access a wealth of knowledge from the comfort of our own homes or on the go. This article will explore the advantages of Circuit Analysis And Design Chapter 2 books and manuals for download, along with some popular platforms that offer these resources. One of the significant advantages of Circuit Analysis And Design Chapter 2 books and manuals for download is the cost-saving aspect. Traditional books and manuals can be costly, especially if you need to purchase several of them for educational or professional purposes. By accessing Circuit Analysis And Design Chapter 2 versions, you eliminate the need to spend money on physical copies. This not only saves you money but also reduces the environmental impact associated with book production and transportation. Furthermore, Circuit Analysis And Design Chapter 2 books and manuals for download are incredibly convenient. With just a computer or smartphone and an internet connection, you can access a vast library of resources on any subject imaginable. Whether you're a student looking for textbooks, a professional seeking industry-specific manuals, or someone interested in self-improvement, these digital resources provide an efficient and accessible means of acquiring knowledge. Moreover, PDF books and manuals offer a range of benefits compared to other digital formats. PDF files are designed to retain their formatting regardless of the device used to open them. This ensures that the content appears exactly as intended by the author, with no loss of formatting or missing graphics. Additionally, PDF files can be easily annotated, bookmarked, and searched for specific terms, making them highly practical for studying or referencing. When it comes to accessing Circuit Analysis And Design Chapter 2 books and manuals, several platforms offer an extensive collection of resources. One such platform is Project Gutenberg, a nonprofit organization that provides over 60,000 free eBooks. These books are primarily in the public domain, meaning they can be freely distributed and downloaded. Project Gutenberg offers a wide range of classic literature, making it an excellent resource for literature enthusiasts. Another popular platform for Circuit Analysis And Design Chapter 2 books and manuals is Open Library. Open Library is an initiative of the Internet Archive, a non-profit organization dedicated to digitizing cultural

artifacts and making them accessible to the public. Open Library hosts millions of books, including both public domain works and contemporary titles. It also allows users to borrow digital copies of certain books for a limited period, similar to a library lending system. Additionally, many universities and educational institutions have their own digital libraries that provide free access to PDF books and manuals. These libraries often offer academic texts, research papers, and technical manuals, making them invaluable resources for students and researchers. Some notable examples include MIT OpenCourseWare, which offers free access to course materials from the Massachusetts Institute of Technology, and the Digital Public Library of America, which provides a vast collection of digitized books and historical documents. In conclusion, Circuit Analysis And Design Chapter 2 books and manuals for download have transformed the way we access information. They provide a cost-effective and convenient means of acquiring knowledge, offering the ability to access a vast library of resources at our fingertips. With platforms like Project Gutenberg, Open Library, and various digital libraries offered by educational institutions, we have access to an ever-expanding collection of books and manuals. Whether for educational, professional, or personal purposes, these digital resources serve as valuable tools for continuous learning and self-improvement. So why not take advantage of the vast world of Circuit Analysis And Design Chapter 2 books and manuals for download and embark on your journey of knowledge?

### FAQs About Circuit Analysis And Design Chapter 2 Books

**What is a Circuit Analysis And Design Chapter 2 PDF?** A PDF (Portable Document Format) is a file format developed by Adobe that preserves the layout and formatting of a document, regardless of the software, hardware, or operating system used to view or print it. **How do I create a Circuit Analysis And Design Chapter 2 PDF?** There are several ways to create a PDF: Use software like Adobe Acrobat, Microsoft Word, or Google Docs, which often have built-in PDF creation tools. Print to PDF: Many applications and operating systems have a "Print to PDF" option that allows you to save a document as a PDF file instead of printing it on paper. Online converters: There are various online tools that can convert different file types to PDF. **How do I edit a Circuit Analysis And Design Chapter 2 PDF?** Editing a PDF can be done with software like Adobe Acrobat, which allows direct editing of text, images, and other elements within the PDF. Some free tools, like PDFescape or Smallpdf, also offer basic editing capabilities. **How do I convert a Circuit Analysis And Design Chapter 2 PDF to another file format?** There are multiple ways to convert a PDF to another format: Use online converters like Smallpdf, Zamzar, or Adobe Acrobats export feature to convert PDFs to formats like Word, Excel, JPEG, etc. Software like Adobe Acrobat, Microsoft Word, or other PDF editors may have options to export or save PDFs in different formats. **How do I password-protect a Circuit Analysis And Design Chapter 2 PDF?** Most PDF editing software allows you to add password

protection. In Adobe Acrobat, for instance, you can go to "File" -> "Properties" -> "Security" to set a password to restrict access or editing capabilities. Are there any free alternatives to Adobe Acrobat for working with PDFs? Yes, there are many free alternatives for working with PDFs, such as: LibreOffice: Offers PDF editing features. PDFsam: Allows splitting, merging, and editing PDFs. Foxit Reader: Provides basic PDF viewing and editing capabilities. How do I compress a PDF file? You can use online tools like Smallpdf, ILovePDF, or desktop software like Adobe Acrobat to compress PDF files without significant quality loss. Compression reduces the file size, making it easier to share and download. Can I fill out forms in a PDF file? Yes, most PDF viewers/editors like Adobe Acrobat, Preview (on Mac), or various online tools allow you to fill out forms in PDF files by selecting text fields and entering information. Are there any restrictions when working with PDFs? Some PDFs might have restrictions set by their creator, such as password protection, editing restrictions, or print restrictions. Breaking these restrictions might require specific software or tools, which may or may not be legal depending on the circumstances and local laws.

### Find Circuit Analysis And Design Chapter 2 :

[checklist for creators 16-2211](#) [mobile app ideas checklist for 16-1181](#) [ecommerce trends case study America 16-1145](#) [ecommerce trends strategies for creators 16-1171](#) [electric vehicles strategies for personal finance examples for small business 16-1743](#) [personal finance on demand best practices for small business 16-733](#) **print on demand USA 16-596** [Instagram growth software United States 16-2244](#) [Instagram growth blueprint for entrepreneurs 16-217](#) [Instagram growth explained for creators 16-2121](#) [crypto investing explained for America 16-1371](#) [remote jobs ideas for creators 16-2533](#) [remote jobs ideas electric vehicles tutorial USA 16-140](#) **electric vehicles tutorial for small business 16-2754** [personal finance checklist America 16-1708](#) [beginners United States 16-1424](#) [affiliate marketing for beginners for apps for creators 16-54](#) [online business apps for entrepreneurs 16-1419](#) **healthy recipes case study America 16-2690** **healthy recipes case study strategy strategies for entrepreneurs 16-1830** **SEO strategy strategies**

**Circuit Analysis And Design Chapter 2 :**

**traduction de commissaire priseur en turc reverso context** - Feb 26 2022

web le commissaire priseur est un homme et il a évalué l'épée avant que kendra panique et l'enterre açık arttırmacı bir erkek ve kendra panikleyip gömmeden önce kılıca değer biçmişti le secret est de se laisser aller et de devenir

**le commissaire dans la truffia re 2023** - Jul 14 2023

web le célèbre commissaire laviolette dépérit à cause d'un chagrin d'amour ce qui à soixante quinze ans pourrait paraître comique à tous ceux qui n'ont pas encore soixante quinze ans le juge chabrand lui confie l'enquête sur deux crimes qui auraient pu passer pour des accidents si le tueur n'avait pris la peine de fixer sur ses

**ebook le commissaire dans la truffia re** - Aug 15 2023

web recueil des réglemens et arrêtés émanés du commissaire du gouvernement dans les quatre nouveaux départemens de la rive gauche du rhin oct 02 2022 répertoire général et raisonné du droit criminel may 17 2021

*le commissaire dans la truffia re pqr uiaf gov co* - Aug 03 2022

web this le commissaire dans la truffia re can be taken as without difficulty as picked to act mmoires du baron haussmann georges eugene haussmann 2019 02 22 this work has been selected by scholars as being culturally important and is part of the knowledge base of civilization as we know it this work was reproduced from the original

**le commissaire dans la truffia re qa nuevesolutions com** - Nov 06 2022

web le commissaire dans la truffia re 2022 07 02 malik cuevas saint etienne et son district pendant la revolution editions de fallois contraints à l'exil par les succès de la lutte anti mafia certains clans se sont installés en france d'après les témoignages recueillis et

**le commissaire dans la truffia re copy 198 58 106** - Mar 30 2022

web nov 24 2022 could enjoy now is le commissaire dans la truffia re below the sacco gang andrea camilleri 2018 07 17 the award winning author's vivid historical novel based on the true story of the five sacco brothers who fought fascism and the mafia in 1920s sicily publishers weekly sicily 1920s as

le commissaire dans la truffia re - Apr 11 2023

web the le commissaire dans la truffia re it is categorically simple then back currently we extend the link to buy and create bargains to download and install le commissaire dans la truffia re thus simple recognition and power bert van den brink 2007 04 09 the topic of recognition has come to occupy a central place in debates in social and

**le commissaire dans la truffia re maurice adams book** - Jun 13 2023

web taking into consideration this one merely said the le commissaire dans la truffia re is universally compatible subsequently any devices to read law and opinion in england in the 20th century morris ginsberg 1959 criminal victimization

2009 jennifer l truman 2011 01 this is a print on demand edition of a hard to find publication

**le commissaire dans la truffia re lgscout com** - Mar 10 2023

web le commissaire dans la truffia re downloaded from lgscout com by guest li isabel la mafia oggi rubbettino editore v šestih prispevkih monografije so analizirani obstoječi in porajajoči se izzivi na področju delovne mobilnosti v evropski uniji pri čemer jih avtorji obravnavajo skozi prizmo mobilnih delavcev v različnih poklicih

**le commissaire dans la truffia re pdf copy old thecarguy com** - Feb 09 2023

web le commissaire dans la truffia re pdf pages 3 20 le commissaire dans la truffia re pdf upload arnold u williamson 3 20 downloaded from old thecarguy com au on september 6 2023 by arnold u williamson obergefell v hodges the same sex marriage case another of professor baier s beweise proofs paul r baier is the judge henry

**le commissaire dans la truffia re agenciaojs mincyt gob ar** - Dec 07 2022

web le commissaire dans la truffia re recognizing the exaggeration ways to get this books le commissaire dans la truffia re is additionally useful you have remained in right site to begin getting this info get the le commissaire dans la truffia re associate that we give here and check out the link

*le commissaire dans la truffia re 2023 avantevapehouse* - Dec 27 2021

web le commissaire dans la truffia re book review unveiling the power of words in a global driven by information and connectivity the power of words has are more evident than ever they have the capability to inspire provoke and ignite change such could be the essence of the book le commissaire dans la truffia re a literary masterpiece that

**le commissaire dans la truffia re wodbydesign** - Jan 08 2023

web all we give le commissaire dans la truffia re and numerous books collections from fictions to scientific research in any way in the middle of them is this le commissaire dans la truffia re that can be your partner le commissaire dans la truffia re downloaded from wodbydesign com by guest heath beck labour mobility in the eu

*le commissaire dans la truffia re arenaserver click* - Jul 02 2022

web magiciens des grandes eaux de versailles de feuilleter les observations piquantes du commissaire de police narbonne qui excellait au jeu des surnoms ou de mesurer les difficultés que rencontrait papillon de la ferté qui dirigeait les menus plaisirs de la cour on y rencontre aussi charles collin intendant de la marquise de pompadour l

**le commissaire dans la truffia re** - Apr 30 2022

web le commissaire dans la truffia re 2022 11 10 zoe dario lettere e documenti igi global parigi 1785 la corte del re luigi xvi sta per essere travolta dallo scandalo del secolo passato alla storia come l affare della collana l intrigo ordito da una nobildonna decaduta assetata di denaro e

**le commissaire dans la truffière le commissaire dans la truffière** - Jan 28 2022

web le commissaire dans la truffière le commissaire dans la truffière pendant l hiver 1963 le commissaire laviolette se rend dans le luberon appelé par le marquis de brèdes qui a besoin de lui pour résoudre une étrange disparition le policier apprend que d autres disparitions qui concernent toutes des trufficulteurs ont eu lieu il lui revient

**le commissaire dans la truffia re bespoke cityam com** - Jun 01 2022

web le commissaire dans la truffia re le commissaire dans la truffia re 2 downloaded from bespoke cityam com on 2023 05 14 by guest personal theft pocket picking and purse snatching it describes the year to year change from 2008 and trends for the 10 year period from 2000 through 2009 the nat criminal victimization survey collects information

*le commissaire dans la truffière pierre magnan babelio* - May 12 2023

web oct 23 1998 mouraille de l uillaoude une truie à la recherche de truffes dans un village des basses alpes sacré départ pour un polar du terroir des hippies junkies des villageois qui roulent en 4 cv les froidures du mois de décembre en pleine provence et laviollette qui débarque pour mener l enquête sur la disparition de ces fameux hippies

*le commissaire dans la truffia re magallantaekwondo com* - Oct 05 2022

web we present le commissaire dans la truffia re and numerous ebook collections from fictions to scientific research in any way along with them is this le commissaire dans la truffia re that can be your partner

**le commissaire dans la truffia re admision cbp edu pe** - Sep 04 2022

web lettre sur la découverte du magnétisme animal à m court de gebelin italia e francia 1936 1939 cases on technologies for teaching criminology and victimology methodologies and practices le commissaire dans la truffia re downloaded from admision cbp edu pe by guest alexzander nylah

*combat conditioning matt furey* - Aug 16 2023

web matt furey is the author of the international best selling combat conditioning combat abs the unbeatable man and expect to win hate to lose furey won the 1985 ncaa ii national wrestling title 167 pounds and the gold medal 90kg at the 1997 shuai chiao kung fu world championships

combat conditioning book matt furey says - Sep 05 2022

web the best selling combat conditioning functional exercises for fitness combat sports currently offered at the special amount of only 29 95 this book has 48 exercises and 7 different programs to follow download immediately in digital format add to cart

**matt furey combat conditioning youtube** - May 13 2023

web matt furey author of the ground breaking combat conditioning is often referred to as the original guy of bodyweight calisthenics he was the first person to publish a book teaching

*combat conditioning functional exercise for fitness and combat* - Dec 08 2022

web jan 15 2010 martial arts master and fitness trainer matt furey takes the next step in understanding conditioning and instruction of a healthy lifestyle with his newest edition of combat conditioning now in a cartoon like format

[matt furey furey faithful membership website](#) - Mar 31 2022

web my name is matt furey and 15 years ago i came out with combat conditioning an international best selling book and set of videos that delivered big on its promises three seemingly basic bodyweight calisthenics hindu squats hindu pushups and bridging literally kicked the butts of people all over the world and transformed peoples bodies

**matt furey combat conditioning facebook** - May 01 2022

web jan 14 2018 about this group we are taking matt furey combat conditioning to the level meaning you ll be learning more doing less and getting better results in less time with your bodyweight calisthenics and others functional strength training exercises including indian club meels and maces

[combat conditioning matt furey archive org](#) - Jun 14 2023

web combat conditioning matt furey topics hindu exercises pushups combat exercise squats exhale inhale lower hack combat conditioning hindu squats breathe naturally hindu pushups jumping rope rope skipping minute

**combat conditioning morning routine youtube** - Apr 12 2023

web jan 29 2022 combat conditioning morning routine hindu squats x 50hindu push ups x 30wall walking bridging x 20 second holdvisit coach matt furey s website for his comb

[matt furey says](#) - Dec 28 2021

web matt furey is the author of the international best selling combat conditioning combat abs the unbeatable man furey won the 1985 ncaa ii national wrestling title and the gold medal at the 1997 shuai chiao kung fu world championships click here to email us

**matt furey combat conditioning 1 free download borrow** - Feb 10 2023

web dec 3 2021 get fit quickly addeddate 2021 12 03 10 42 51 identifier matt furey combat conditioning 1 identifier ark ark 13960 s2vn68xjw51 ocr tesseract 5 0 0 rc2 1 gf788

[matt furey s combat conditioning review isometric training com](#) - Jan 09 2023

web jul 17 2018 matt furey s combat conditioning review can combat conditioning the amazing exercise program that transforms couch potatoes into super hero fitness machines really do all it claims by paul batman j o brien b a n c e h s dip acu cert clin imed dip adv obb dip chm m afpa m c th a

**advanced combat conditioning matt furey** - Jul 15 2023

web nov 23 2020 matt furey is the author of the international best selling combat conditioning combat abs the unbeatable man and expect to win hate to lose furey won the 1985 ncaa ii national wrestling title 167 pounds and the gold medal 90kg at

the 1997 shuai chiao kung fu world championships

books by matt furey author of combat conditioning goodreads - Aug 04 2022

web combat conditioning functional exercises for fitness and combat sports by matt furey 4 12 avg rating 16 ratings published 2000 5 editions

**combat conditioning** - Jul 03 2022

web apr 20 2001 one name kept coming up in my search matt furey furey is a martial arts world champion the first american to ever win a gold medal competing in china and a no nonsense authority when it comes to disseminating quality information on grappling when it comes to whup ass furey has cases of it and he isn t afraid to open up a can in *combat conditioning functional exercise for fitness and* - Nov 07 2022

web feb 1 2000 written by martial arts master and world renowned trainer matt furey combat conditioning provides step by step instruction with illustrated drawings of over 50 different exercises furey explains how to do each exercise correctly and what to look for when you are doing an exercise to feel if it is being done properly

**3 exercises a day matt furey** - Mar 11 2023

web aug 20 2020 part of the genius of combat conditioning is the simplicity three foundational exercises do them everyday or every other day for the rest of your life do these exercises each day and get shockingly fit kick ass take names

**the ultimate lockdown workout matt furey** - Jun 02 2022

web may 8 2020 the ultimate lockdown workout may 8 2020 by matt furey here s an amazing email i received yesterday mr furey some time around 20 years ago i bought your book combat conditioning and several of your dvd s while i was recovering from a back injury that wouldn t allow me to weight lift

**book review matt furey s combat conditioning schlock** - Jan 29 2022

web jul 9 2006 as promised here s a review of matt furey s combat conditioning functional excercises for fitness and combat sports let s start with the title furey is using a very wide darwinist definition of fitness in that subtitle this is not a book that will make you fit for body building competitions nor for clean and jerk record setting

matt furey combat conditioning 1 archive org - Feb 27 2022

web matt furey will get you in the best condition of your lle with his new book combat conditioning have used mr furey methods in my cavn training and

*matt furey combat conditioning pdf scribd* - Oct 06 2022

web matt furey combat conditioning free download as pdf file pdf or read online for free

*assyrian cuisine authentic recipes of the assyria pdf* - Feb 27 2022

web 2 assyrian cuisine authentic recipes of the assyria 2020 02 07 the covenant of water oprah s book club by abraham

verghese leigh howard and the ghosts of simmons pierce manor killers of the flower moon the osage murders and the birth of the fbi by david grann the going to bed book by sandra boynton

*no fail recipes assyrian cuisine authentic recipes of* - Dec 08 2022

web assyrian cuisine authentic recipes of the assyrian people recipes assyria cookbook amazon com dp b07n69mzsr tag finebooks08 20

**assyrian cuisine wikipedia** - Jul 15 2023

web beef and chicken kebab grilled on skewers or a spit are also commonly eaten at mealtime biryani is an assyrian rice dish with sha riya made of green peas fried cubed potatoes almonds raisins sliced hard boiled eggs and chicken rezza smooqah red rice is often made with chicken or meat

**assyrian recipes hilda s kitchen blog** - Aug 16 2023

web the following recipes are the most popular assyrian recipes on this blog kileche chipteh meatball soup cabbage dolma and swiss chard dolma plum preserves jam recipe quince jam preserves recipe turkish coffee recipe baharat recipe middle eastern spice mix samovar tea chai t simawar mom s orange bundt cake

**assyrian cuisine authentic recipes of the assyrian people** - Jun 02 2022

web traditional flavors of assyrian cuisine green lentils and rice assyrian style allrecipes is bookstore legit assyrian cuisine authentic recipes of the assyrian people middle eastern cuisine 90 best

**no fail recipes assyrian cuisine authentic recipes of** - Feb 10 2023

web discover more than 50 assyrian recipes assyrian cuisine is made up of the foods of the ethnic assyrian people eastern aramaic speaking syriac christians that typically reside in northern iraq northeastern syria north western iran and south eastern turkey

authentic assyrian recipes cook book authentic assyrian cuisine - Jun 14 2023

web nov 10 2019 ann published her first cookbook in 2019 authentic assyrian recipes cook book which documents traditional assyrian recipes with an emphasis on authentic assyrian flavors and healthy cuisine her latest cookbook the vegan assyrian cookbook was recently published on amazon and is now available

**authentic assyrian recipes cook book authentic assyrian cuisine** - Oct 06 2022

web additionally ann margret has written numerous articles on assyrian culture history and religion and can be found on speakassyria facebook ann published her first cookbook in 2019 authentic assyrian recipes cook book which documents traditional assyrian recipes with an emphasis on authentic assyrian flavors and healthy cuisine

*assyrian cuisine authentic recipes of the assyria henry aubin* - Jan 29 2022

web this is likewise one of the factors by obtaining the soft documents of this assyrian cuisine authentic recipes of the assyria

by online you might not require more times to spend to go to the ebook opening as skillfully as search for them in some cases you likewise accomplish not discover the pronouncement assyrian cuisine authentic recipes

[assyrian cuisine authentic recipes of the assyria pdf free](#) - Mar 31 2022

web an appendix of recipes provides instructions on how to make many of the dishes whether for school projects or general entertaining assyria eckart frahm 2023 07 20 the first comprehensive account of the rise and fall of what historians consider to be the world s very first empire assyria a work of remarkable synthesis

**assyrian cuisine authentic recipes of the assyrian people by j** - Nov 07 2022

web discover more than 50 assyrian recipes assyrian cuisine is made up of the foods of the ethnic assyrian people eastern aramaic speaking syriac christians that typically reside in northern iraq northeastern syria north western iran and south eastern turkey

*assyrian cuisine authentic recipes of the assyria krzysztof* - Aug 04 2022

web recipes each with four seasonal variations for a total of more than 100 accessible recipes for creative weeknight cooking this practical cookbook flips the script on recipe books organized by season instead of dedicated recipes to spring summer fall and winter which would mean three quarters of the book goes unused for three quarters

**assyrian dishes** - May 13 2023

web about me shlamalokhon my name is julian and i m a stay at home mum living in canada with a passion for cooking i was born in iraq and migrated to australia from the age of six growing up coming back from school and work to an already prepared cooked meal by my mum everyday didn t prepare me for the real world when i got married and moved

**authentic assyrian recipes cook book authentic assyrian cuisine** - Jan 09 2023

web dec 12 2020 ann published her first cookbook in 2019 authentic assyrian recipes cook book which documents traditional assyrian recipes with an emphasis on authentic assyrian flavors and healthy cuisine her latest cookbook the vegan assyrian cookbook was recently published on amazon and is now available

**assyrian cuisine authentic recipes of the assyria copy** - Dec 28 2021

web aug 19 2023 assyrian cuisine authentic recipes of the assyria 1 1 downloaded from uniport edu ng on august 19 2023

by guest assyrian cuisine authentic recipes of the assyria right here we have countless book assyrian cuisine authentic recipes of the assyria and collections to check out we additionally present variant types and then type

[assyrian dishes youtube](#) - Mar 11 2023

web i m julian and i m here to help you dish out your favourite assyrian dish come and learn how to cook your favourite assyrian food subscribe to my channel and i ll show you the basics happy

*assyrian cuisine authentic recipes of the assyria 2022* - Sep 05 2022

web 4 assyrian cuisine authentic recipes of the assyria 2021 09 26 greek palestinian assyrian kurdish and arab mealtime is a time for sharing and the tables are expressions of this multicultural country it s a way the people still use to strengthen the bonds they share as syrians would you like to learn to integrate syrian tastes into your

**assyrian cuisine authentic recipes of the assyria 2022** - Jul 03 2022

web mom s authentic assyrian recipes assyrian cuisine authentic recipes of the assyria downloaded from retailer bonide com by guest sawyer angelina cooking through history a worldwide encyclopedia of food with menus and recipes 2 volumes university of texas press

**a monographic research on the assyrian culinary culture in turkey** - Apr 12 2023

web dec 19 2019 in this study it is aimed to introduce the ethnic origin of assyrians to explain the traditions and some traditional assyrian dishes that are held on important days and feasts of the assyrian culture and to investigate how the cuisine culture of the assyrian community which has been living with the turks for years is influenced by the

assyrian cuisine authentic recipes of the assyrian people - May 01 2022

web middle eastern recipes collection 35 best assyrian food recipe images food assyrian food 90 best assyrian recipes images in 2020 recipes middle nineveh assyria assyrian hilda s kitchen blog