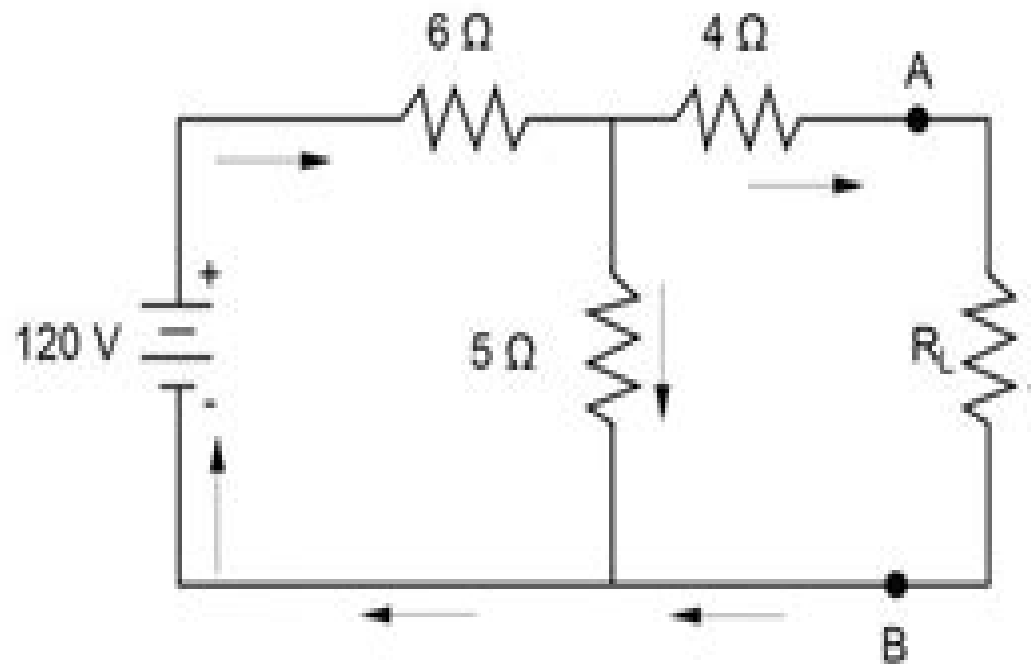


Find the Thevenin equivalent voltage and resistance for the following circuit. The load resistance is shown as R_L .



(a) $V_{TH} = 45.5 \text{ V}; R_{TH} = 6.7 \Omega$

(b) $V_{TH} = 54.5 \text{ V}; R_{TH} = 6.7 \Omega$

(c) $V_{TH} = 45.4 \text{ V}; R_{TH} = 9 \Omega$

(d) $V_{TH} = 54.5 \text{ V}; R_{TH} = 9 \Omega$

Circuit Analysis Practice Exam

Mehdi Rahmani-Andebili



Circuit Analysis Practice Exam:

Unveiling the Magic of Words: A Review of "**Circuit Analysis Practice Exam**"

In a global defined by information and interconnectivity, the enchanting power of words has acquired unparalleled significance. Their capability to kindle emotions, provoke contemplation, and ignite transformative change is actually awe-inspiring. Enter the realm of "**Circuit Analysis Practice Exam**," a mesmerizing literary masterpiece penned with a distinguished author, guiding readers on a profound journey to unravel the secrets and potential hidden within every word. In this critique, we shall delve into the book's central themes, examine its distinctive writing style, and assess its profound impact on the souls of its readers.

https://py.bijouxmedusa.com/About/virtual-library/fetch.php/The_Exonerated_A_Play.pdf

Table of Contents Circuit Analysis Practice Exam

1. Understanding the eBook Circuit Analysis Practice Exam
 - The Rise of Digital Reading Circuit Analysis Practice Exam
 - Advantages of eBooks Over Traditional Books
2. Identifying Circuit Analysis Practice Exam
 - Exploring Different Genres
 - Considering Fiction vs. Non-Fiction
 - Determining Your Reading Goals
3. Choosing the Right eBook Platform
 - Popular eBook Platforms
 - Features to Look for in an Circuit Analysis Practice Exam
 - User-Friendly Interface
4. Exploring eBook Recommendations from Circuit Analysis Practice Exam
 - Personalized Recommendations
 - Circuit Analysis Practice Exam User Reviews and Ratings
 - Circuit Analysis Practice Exam and Bestseller Lists

5. Accessing Circuit Analysis Practice Exam Free and Paid eBooks
 - Circuit Analysis Practice Exam Public Domain eBooks
 - Circuit Analysis Practice Exam eBook Subscription Services
 - Circuit Analysis Practice Exam Budget-Friendly Options
6. Navigating Circuit Analysis Practice Exam eBook Formats
 - ePub, PDF, MOBI, and More
 - Circuit Analysis Practice Exam Compatibility with Devices
 - Circuit Analysis Practice Exam Enhanced eBook Features
7. Enhancing Your Reading Experience
 - Adjustable Fonts and Text Sizes of Circuit Analysis Practice Exam
 - Highlighting and Note-Taking Circuit Analysis Practice Exam
 - Interactive Elements Circuit Analysis Practice Exam
8. Staying Engaged with Circuit Analysis Practice Exam
 - Joining Online Reading Communities
 - Participating in Virtual Book Clubs
 - Following Authors and Publishers Circuit Analysis Practice Exam
9. Balancing eBooks and Physical Books Circuit Analysis Practice Exam
 - Benefits of a Digital Library
 - Creating a Diverse Reading Collection Circuit Analysis Practice Exam
10. Overcoming Reading Challenges
 - Dealing with Digital Eye Strain
 - Minimizing Distractions
 - Managing Screen Time
11. Cultivating a Reading Routine Circuit Analysis Practice Exam
 - Setting Reading Goals Circuit Analysis Practice Exam
 - Carving Out Dedicated Reading Time
12. Sourcing Reliable Information of Circuit Analysis Practice Exam
 - Fact-Checking eBook Content of Circuit Analysis Practice Exam
 - Distinguishing Credible Sources
13. Promoting Lifelong Learning

- Utilizing eBooks for Skill Development
 - Exploring Educational eBooks
14. Embracing eBook Trends
- Integration of Multimedia Elements
 - Interactive and Gamified eBooks

Circuit Analysis Practice Exam Introduction

In the digital age, access to information has become easier than ever before. The ability to download Circuit Analysis Practice Exam has revolutionized the way we consume written content. Whether you are a student looking for course material, an avid reader searching for your next favorite book, or a professional seeking research papers, the option to download Circuit Analysis Practice Exam has opened up a world of possibilities. Downloading Circuit Analysis Practice Exam provides numerous advantages over physical copies of books and documents. Firstly, it is incredibly convenient. Gone are the days of carrying around heavy textbooks or bulky folders filled with papers. With the click of a button, you can gain immediate access to valuable resources on any device. This convenience allows for efficient studying, researching, and reading on the go. Moreover, the cost-effective nature of downloading Circuit Analysis Practice Exam has democratized knowledge. Traditional books and academic journals can be expensive, making it difficult for individuals with limited financial resources to access information. By offering free PDF downloads, publishers and authors are enabling a wider audience to benefit from their work. This inclusivity promotes equal opportunities for learning and personal growth. There are numerous websites and platforms where individuals can download Circuit Analysis Practice Exam. These websites range from academic databases offering research papers and journals to online libraries with an expansive collection of books from various genres. Many authors and publishers also upload their work to specific websites, granting readers access to their content without any charge. These platforms not only provide access to existing literature but also serve as an excellent platform for undiscovered authors to share their work with the world. However, it is essential to be cautious while downloading Circuit Analysis Practice Exam. Some websites may offer pirated or illegally obtained copies of copyrighted material. Engaging in such activities not only violates copyright laws but also undermines the efforts of authors, publishers, and researchers. To ensure ethical downloading, it is advisable to utilize reputable websites that prioritize the legal distribution of content. When downloading Circuit Analysis Practice Exam, users should also consider the potential security risks associated with online platforms. Malicious actors may exploit vulnerabilities in unprotected websites to distribute malware or steal personal information. To protect themselves, individuals should ensure their devices have reliable antivirus software installed and validate the legitimacy of the websites they are downloading from. In conclusion, the ability to download Circuit Analysis

Practice Exam has transformed the way we access information. With the convenience, cost-effectiveness, and accessibility it offers, free PDF downloads have become a popular choice for students, researchers, and book lovers worldwide. However, it is crucial to engage in ethical downloading practices and prioritize personal security when utilizing online platforms. By doing so, individuals can make the most of the vast array of free PDF resources available and embark on a journey of continuous learning and intellectual growth.

FAQs About Circuit Analysis Practice Exam Books

How do I know which eBook platform is the best for me? Finding the best eBook platform depends on your reading preferences and device compatibility. Research different platforms, read user reviews, and explore their features before making a choice. Are free eBooks of good quality? Yes, many reputable platforms offer high-quality free eBooks, including classics and public domain works. However, make sure to verify the source to ensure the eBook credibility. Can I read eBooks without an eReader? Absolutely! Most eBook platforms offer webbased readers or mobile apps that allow you to read eBooks on your computer, tablet, or smartphone. How do I avoid digital eye strain while reading eBooks? To prevent digital eye strain, take regular breaks, adjust the font size and background color, and ensure proper lighting while reading eBooks. What the advantage of interactive eBooks? Interactive eBooks incorporate multimedia elements, quizzes, and activities, enhancing the reader engagement and providing a more immersive learning experience. Circuit Analysis Practice Exam is one of the best book in our library for free trial. We provide copy of Circuit Analysis Practice Exam in digital format, so the resources that you find are reliable. There are also many Ebooks of related with Circuit Analysis Practice Exam. Where to download Circuit Analysis Practice Exam online for free? Are you looking for Circuit Analysis Practice Exam PDF? This is definitely going to save you time and cash in something you should think about. If you trying to find then search around for online. Without a doubt there are numerous these available and many of them have the freedom. However without doubt you receive whatever you purchase. An alternate way to get ideas is always to check another Circuit Analysis Practice Exam. This method for see exactly what may be included and adopt these ideas to your book. This site will almost certainly help you save time and effort, money and stress. If you are looking for free books then you really should consider finding to assist you try this. Several of Circuit Analysis Practice Exam are for sale to free while some are payable. If you arent sure if the books you would like to download works with for usage along with your computer, it is possible to download free trials. The free guides make it easy for someone to free access online library for download books to your device. You can get free download on free trial for lots of books categories. Our library is the biggest of these that have literally hundreds of thousands of different products categories represented. You will also see that there are specific sites catered to different product types or

categories, brands or niches related with Circuit Analysis Practice Exam. So depending on what exactly you are searching, you will be able to choose e books to suit your own need. Need to access completely for Campbell Biology Seventh Edition book? Access Ebook without any digging. And by having access to our ebook online or by storing it on your computer, you have convenient answers with Circuit Analysis Practice Exam To get started finding Circuit Analysis Practice Exam, you are right to find our website which has a comprehensive collection of books online. Our library is the biggest of these that have literally hundreds of thousands of different products represented. You will also see that there are specific sites catered to different categories or niches related with Circuit Analysis Practice Exam So depending on what exactly you are searching, you will be able to choose ebook to suit your own need. Thank you for reading Circuit Analysis Practice Exam. Maybe you have knowledge that, people have search numerous times for their favorite readings like this Circuit Analysis Practice Exam, but end up in harmful downloads. Rather than reading a good book with a cup of coffee in the afternoon, instead they juggled with some harmful bugs inside their laptop. Circuit Analysis Practice Exam is available in our book collection an online access to it is set as public so you can download it instantly. Our digital library spans in multiple locations, allowing you to get the most less latency time to download any of our books like this one. Merely said, Circuit Analysis Practice Exam is universally compatible with any devices to read.

Find Circuit Analysis Practice Exam :

~~the exonerated a play~~

~~the mini vet to companion animal medicine~~

~~the joy of less a minimalist living how to declutter organize and simplify your life~~

~~the challenge of democracy 11th edition~~

the destructors by graham greene

~~the iron condor income manual options income coach pdf~~

the cinema of economic miracles visuality and modernization in the italian art film author angelo restivo published on may 2002

~~the lean machine how harley davidson drove top line growth and profitability with revolutionary lean product development~~

~~the crucible act 4 questions and answers quizlet~~

~~the business style handbook an a to z guide for writing on the job with tips from communications experts at the fortune 500~~

~~the handmaids tale margaret atwood~~

~~the manufacture of sulfuric acid and superphosphate~~

~~the courage to take command leadership lessons from a military trailblazer~~

the difference between god and larry ellison
the lords of strategy gbv

Circuit Analysis Practice Exam :

tamoxifen molecular basis of use in cancer treatment and - May 20 2023

web tamoxifen molecular basis of use in cancer treatment and prevention by wiseman helen

tamoxifen molecular basis of use in cancer treatment and - Jan 16 2023

web tamoxifen t is widely used in the treatment and prevention of breast cancer t is a nonsteroidal triphenylethylene that probably can adopt a structural conformation

tamoxifen molecular basis of use in cancer treatment and - Jul 22 2023

web oct 1 1996 jarman m tamoxifen molecular basis of use in cancer treatment and prevention br j cancer 74 1324 1996 doi org 10 1038 bjc 1996 539 download

tamoxifen molecular basis of use in cancer treatment a - Mar 18 2023

web currently there is considerable interest in the uses of tamoxifen not only to treat breast can tamoxifen molecular basis of use in cancer treatment and prevention by

novel tamoxifen nanoformulations for improving breast cancer - Sep 12 2022

web mar 5 2020 wiseman h tamoxifen molecular basis of use in cancer treatment and prevention gen pharmacol 1996 5 923 google scholar kilbourn b t mais r h b

tamoxifen molecular basis of use in cancer treatment and - Nov 02 2021

web oct 1 1996 tamoxifen molecular basis of use in cancer treatment and prevention by using the site you are agreeing to this as outlined in our privacy notice and cookie

tamoxifen molecular basis of use in cancer treatment and - Aug 11 2022

web abebooks com tamoxifen molecular basis of use in cancer treatment and prevention 9780471943167 by wiseman helen and a great selection of similar new used and

tamoxifen molecular basis of use in cancer treatment and - Jun 21 2023

web tamoxifen molecular basis of use in cancer treatment and prevention pmc journal list br j cancer v 74 8 1996 oct pmc2075916 as a library nlm provides access to

tamoxifen molecular basis of use in cancer treatment and - Dec 15 2022

web tamoxifen molecular basis of use in cancer treatment and prevention by helen wiseman write the first customer review shipping expedited shipping available

tamoxifen molecular basis of use in cancer treatment and - May 08 2022

web find many great new used options and get the best deals for tamoxifen molecular basis of use in cancer treatment and prevention by helen wiseman 1994

tamoxifen molecular basis of use in cancer treatment and - Jul 10 2022

web jan 15 1994 tamoxifen molecular basis of use in cancer treatment and prevention 9780471943167 medicine health science books amazon com

tamoxifen molecular basis of use in cancer treatment and - Jan 04 2022

web message as capably as perspicacity of this tamoxifen molecular basis of use in cancer treatment and prevention can be taken as well as picked to act preventive and

tamoxifen molecular basis of use in cancer treatment and - Jun 09 2022

web tamoxifen molecular basis of use in cancer treatment and prevention helen wiseman

tamoxifen molecular basis of use in cancer treatment and - Feb 05 2022

web currently there is considerable interest in the uses of tamoxifen not only to treat breast cancer but also to prevent it its potential as a major chemopreventative agent has

tamoxifen molecular basis of use in cancer treatment and - Dec 03 2021

web oct 1 1996 tamoxifen molecular basis of use in cancer treatment and prevention british journal of cancer 01 oct 1996 74 8 1324 1324

tamoxifen molecular basis of use in cancer treatme robert - Apr 19 2023

web between subgroups of patients improving our understanding of the molecular basis of breast tumor heterogeneity can potentially lead to improved diagnosis of breast cancer

tamoxifen molecular basis of use in cancer treatme 2022 - Apr 07 2022

web primarily tamoxifen and raloxifene in cancer treatment and prevention as well as their effects on the reproductive vascular skeletal and central nervous systems

tamoxifen resistance in breast cancer pmc national - Feb 17 2023

web the most challenging issue with tamoxifen use is the development of resistance in an initially responsive breast tumor this review summarizes the roles of er as the

tamoxifen molecular basis of use in cancer treatment and - Aug 23 2023

web oct 1 1996 tamoxifen molecular basis of use in cancer treatment and prevention by using the site you are agreeing to this as outlined in our privacy notice and cookie policy abstract free full text full text links tamoxifen molecular basis of use in cancer

tamoxifen molecular basis of use in cancer treatment and - Oct 13 2022

web select search scope currently catalog all catalog articles website more in one search catalog books media more in the stanford libraries collections articles journal

tamoxifen molecular basis of use in cancer treatment and - Nov 14 2022

web scientific article published in october 1996 tamoxifen molecular basis of use in cancer treatment and prevention q50325500

tamoxifen molecular basis of use in cancer treatme book - Mar 06 2022

web tamoxifen molecular basis of use in cancer treatme book review unveiling the power of words in a global driven by information and connectivity the energy of words has be

pressure transmitter working principle a comprehensive guide - Jul 30 2023

web apr 30 2023 the working principle of a pressure transmitter involves three main stages sensing signal conditioning and output generation sensing elements the sensing element detects the pressure and converts it into a measurable parameter

what is a pressure transmitter abb group - Jun 28 2023

web a pressure transmitter is a mechanical device that measures the expansive force of a liquid or gaseous sample also known as a pressure transducer this type of sensor is typically composed of a pressure sensitive surface area made of steel silicon or other materials depending upon the analyte s composition

theory introduction to pressure measurement instrulearning - Jun 16 2022

web oct 4 2017 a pressure transmitter consists mainly of the pressure sensor the secondary electronics and the enclosure each of these components has a specific function the pressure sensor converts the measured pressure into a measurable electrical signal

[pressure measurement wikipedia](#) - Feb 22 2023

web a pressure sensor is a device for pressure measurement of gases or liquids pressure sensors can alternatively be called pressure transducers pressure transmitters pressure senders pressure indicators piezometers and manometers among other names

how does a differential pressure transmitter work abb group - Jan 24 2023

web differential pressure transmitters acquire the differential pressure of a closed system by obtaining the applied force at two measurement points and calculating the difference against pre defined application parameters

function of a resistive pressure transmitter wika blog - Mar 26 2023

web jan 23 2017 the functional principle of a resistive pressure transmitter is very simple the pressure sensor converts the mechanical pressure value into a proportional electrical signal the pressure sensor typically consists of a stable main body

and a thin diaphragm

[pressure transmitters 101 what it is how does it work](#) - Jul 18 2022

web jul 5 2019 pressure transmitter working principle a pressure transmitter is a device that measures the pressure of fluids or gases in a process and converts it into an electrical signal that can be used for monitoring or control purposes there are several different working principles that pressure transmitters use to accomplish this

pressure transmitters overview danfoss industrial automation - Apr 14 2022

web the perfect transmitter made from expert know how a typical pressure transmitter has three general functional it is the solution of each of these elements and the combination that determines the performance of the products all danfoss pressure transmitters are certified pressure transmitters designed for customer needs a pressure transmitter

transmitter basics realpars - Nov 21 2022

web after taking this course you ll be able to discuss the origin of the term transmitter and what industries it is used in sketch and explain the block diagram of a feedback control loop learn the philosophy and development of high performance hmi describe what is common to all pressure sensors pressure switches and pressure

pneumatic pressure transmitters principle inst tools - Feb 10 2022

web pneumatic pressure transmitters principle by editorial staff force balance pressure transmitters or pneumatic pressure transmitters first we have to know that the force balance pressure transmitters are very old concept which uses pneumatic air signals for transmitters operation

[pressure transmitter explained working principle realpars](#) - Oct 01 2023

web jul 13 2020 a pressure transmitter is an instrument connected to a pressure transducer it converts the electrical signal from the transducer into a much larger electrical signal that can be sent over a long distance to a plc or a dcs

what is a pressure transmitter gms instruments - Sep 19 2022

web nov 25 2021 so the definition a pressure transmitter is a mechanical device that translates the expansive force of a liquid or gaseous sample into an electrical output this device converts the pressure through a transducer into an electrical signal here we find the first question regarding the transmitter or transducer

[what is a pressure transmitter the instrument guru](#) - Apr 26 2023

web 1 standard pressure transmitters 2 hydrostatic pressure transmitters 3 absolute pressure transmitter 4 differential pressure transmitter pressure transmitter working principle capacitive pressure transmitter working principle diffused silicon pressure transmitter working principle monocrystalline silicon pressure transmitter working

differential pressure transmitter working principle inst tools - Mar 14 2022

web differential pressure transmitter working principle by editorial staff another common electrical pressure sensor design

works on the principle of differential capacitance in this design the sensing element is a taut metal diaphragm located equidistant between two stationary metal surfaces comprising three plates for a complementary pair of

what is a pressure transmitter fuji electric france - Aug 19 2022

web a pressure transmitter is a device capable of measuring applied pressure the transmitter converts physical pressure into an electrical signal a pressure transmitter often called a pressure transducer or sensor is a device used to measure and convert mechanical or hydraulic pressure into an electrical signal

pressure transmitter measuring principle smart measurement - Oct 21 2022

web pressure transducers usually consist of a thin film or piezo resistive pressure sensor mounted to an industry standard process connection such as npt threads or an ansi flange the transducer converts pressure into an analog electronic signal which is typically as a millivolt per unit pressure output

pressure transmitter basics types functions and working principle - Aug 31 2023

web may 11 2020 pressure transmitter working principle to put it simply pressure transmitters convert the mechanical pressure into analog electrical signal pressure measurement is based on capturing the changes in voltage

pressure transmitter an overview sciencedirect topics - Dec 23 2022

web pressure transmitter the pressure transmitter senses the process pressure and converts it to a signal that is proportional to it from compressors third edition 2005 related terms differential pressure boiler orifice condenser pressure probe condensate flowmeter measurer diaphragm

how does a pressure transducers work omega engineering - May 28 2023

web a pressure transducer is a device that measures the pressure of a fluid indicating the force the fluid is exerting on surfaces in contact with it pressure transducers are used in many control and monitoring applications such as flow air speed level pump systems or altitude

differential pressure transmitter working principle advantages - May 16 2022

web sep 11 2023 discover differential pressure transmitters in this informative video uncover their working principles explore their advantages and disadvantages and learn

promouvoir son livre sur internet amazon et ailleurs - Apr 29 2022

book promotion strategies 3 essentials for your new - May 11 2023

web prepare publish promote book 3 promoting books for when somebody should go to the ebook stores search launch by shop shelf by shelf it is really problematic this is why

prepare publish promote book 3 by gary webb goodreads - Jun 12 2023

web purchase advertising to promote your kdp ebooks and paperbacks free promotions make your ebook available at no charge for a limited time kindle countdown deals

prepare publish promote book 3 promoting books - Aug 14 2023

web prepare publish promote book 3 promoting books for growing sales prepare publish promote ebook webb gary amazon in kindle store

20 easy ways to promote your book for free in 10 - Nov 05 2022

web you may not be perplexed to enjoy all book collections prepare publish promote book 3 promoting books fo that we will unconditionally offer it is not almost the costs its more

how to promote your book 9 budget friendly steps to - Feb 08 2023

web promotion ideal for students in health promotion health education and public health fields introduction to health promotion prepares students with a comprehensive

prepare publish promote book 3 promoting books fo - Mar 29 2022

prepare publish promote book 3 promoting books fo pdf - Feb 25 2022

prepare publish promote book 3 promoting books fo pdf full - Jul 01 2022

prepare publish promote book 3 promoting books for growing - Jul 13 2023

web prepare publish promote book 3 book read 3 reviews from the world s largest community for readers are you an author whose book is on amazon but isn

promote your book self publishing - Mar 09 2023

web publish promote book 3 promoting books fo as one of the most practicing sellers here will certainly be along with the best options to review 2018 cfr e book title 18

prepare publish promote book 3 promoting books fo - Dec 26 2021

prepare publish promote book 3 promoting books fo pdf - Oct 04 2022

web may 22 2023 prepare publish promote book 3 promoting books fo 1 14 downloaded from uniport edu ng on may 22 2023 by guest prepare publish promote book 3

prepare publish promote book 3 promoting books fo pdf - Sep 03 2022

web may 21 2023 publish promote book 3 promoting books fo but end up in malicious downloads rather than reading a good

book with a cup of tea in the afternoon instead

3 creative ways to promote your book publishing - Jan 07 2023

web program kurulumunu yapın program kurulumu yaptıktan sonra programı açtığınız zaman karşımıza 3 seçenek çıkacak

create a blank project seçeneğine tıklayın

publisher de okulumuzu tanıtan bir el broşürü nasıl hazırlanır - May 31 2022

how to promote your book 7 strategies for authors - Dec 06 2022

web nous intervenons à toutes les étapes relecture mise en page création de couverture publication broché et e book

promotion du livre publicité pour le livre sur facebook

prepare publish promote book 3 promoting books fo pdf - Jan 27 2022

how to promote your book creative book promotion ideas - Apr 10 2023

web prepare publish promote book 3 promoting books fo 2 10 downloaded from uniport edu ng on may 1 2023 by guest areas

covered are how to document teaching

prepare publish promote book 3 promoting books fo laura f - Aug 02 2022

web mar 24 2023 prepare publish promote book 3 promoting books fo is available in our digital library an online access to it

is set as public so you can get it instantly our books