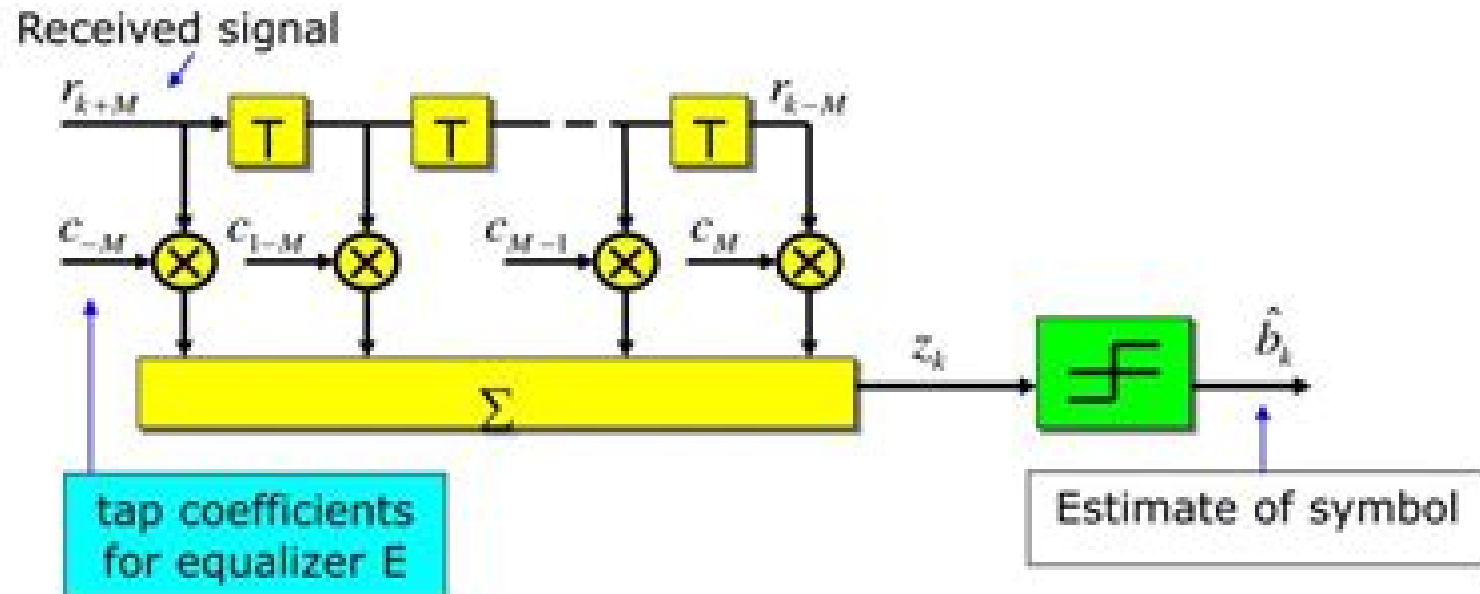


Zero-Forcing Equalization

- Zero ISI at the receiver output
- $B(f)H(f)E(f)=Z(f)$
- $Z(f)$: Nyquist spectrum e.g. raised cosine



Matlab Code Zero Forcing Algorithm For Ofdm

IM Harris



Matlab Code Zero Forcing Algorithm For Ofdm:

If you ally compulsion such a referred **Matlab Code Zero Forcing Algorithm For Ofdm** ebook that will give you worth, acquire the extremely best seller from us currently from several preferred authors. If you desire to comical books, lots of novels, tale, jokes, and more fictions collections are as well as launched, from best seller to one of the most current released.

You may not be perplexed to enjoy every book collections Matlab Code Zero Forcing Algorithm For Ofdm that we will unconditionally offer. It is not with reference to the costs. Its just about what you compulsion currently. This Matlab Code Zero Forcing Algorithm For Ofdm, as one of the most full of zip sellers here will definitely be accompanied by the best options to review.

<https://py.bijouxmedusa.com/files/Resources/Documents/software%20for%20small%20business%2032%202069%20luxury%20travel%20step%20by%20step%20united.pdf>

Table of Contents Matlab Code Zero Forcing Algorithm For Ofdm

1. Understanding the eBook Matlab Code Zero Forcing Algorithm For Ofdm
 - The Rise of Digital Reading Matlab Code Zero Forcing Algorithm For Ofdm
 - Advantages of eBooks Over Traditional Books
2. Identifying Matlab Code Zero Forcing Algorithm For Ofdm
 - Exploring Different Genres
 - Considering Fiction vs. Non-Fiction
 - Determining Your Reading Goals
3. Choosing the Right eBook Platform
 - Popular eBook Platforms
 - Features to Look for in an Matlab Code Zero Forcing Algorithm For Ofdm
 - User-Friendly Interface
4. Exploring eBook Recommendations from Matlab Code Zero Forcing Algorithm For Ofdm
 - Personalized Recommendations
 - Matlab Code Zero Forcing Algorithm For Ofdm User Reviews and Ratings

- Matlab Code Zero Forcing Algorithm For Ofdm and Bestseller Lists
- 5. Accessing Matlab Code Zero Forcing Algorithm For Ofdm Free and Paid eBooks
 - Matlab Code Zero Forcing Algorithm For Ofdm Public Domain eBooks
 - Matlab Code Zero Forcing Algorithm For Ofdm eBook Subscription Services
 - Matlab Code Zero Forcing Algorithm For Ofdm Budget-Friendly Options
- 6. Navigating Matlab Code Zero Forcing Algorithm For Ofdm eBook Formats
 - ePub, PDF, MOBI, and More
 - Matlab Code Zero Forcing Algorithm For Ofdm Compatibility with Devices
 - Matlab Code Zero Forcing Algorithm For Ofdm Enhanced eBook Features
- 7. Enhancing Your Reading Experience
 - Adjustable Fonts and Text Sizes of Matlab Code Zero Forcing Algorithm For Ofdm
 - Highlighting and Note-Taking Matlab Code Zero Forcing Algorithm For Ofdm
 - Interactive Elements Matlab Code Zero Forcing Algorithm For Ofdm
- 8. Staying Engaged with Matlab Code Zero Forcing Algorithm For Ofdm
 - Joining Online Reading Communities
 - Participating in Virtual Book Clubs
 - Following Authors and Publishers Matlab Code Zero Forcing Algorithm For Ofdm
- 9. Balancing eBooks and Physical Books Matlab Code Zero Forcing Algorithm For Ofdm
 - Benefits of a Digital Library
 - Creating a Diverse Reading Collection Matlab Code Zero Forcing Algorithm For Ofdm
- 10. Overcoming Reading Challenges
 - Dealing with Digital Eye Strain
 - Minimizing Distractions
 - Managing Screen Time
- 11. Cultivating a Reading Routine Matlab Code Zero Forcing Algorithm For Ofdm
 - Setting Reading Goals Matlab Code Zero Forcing Algorithm For Ofdm
 - Carving Out Dedicated Reading Time
- 12. Sourcing Reliable Information of Matlab Code Zero Forcing Algorithm For Ofdm
 - Fact-Checking eBook Content of Matlab Code Zero Forcing Algorithm For Ofdm
 - Distinguishing Credible Sources

13. Promoting Lifelong Learning
 - Utilizing eBooks for Skill Development
 - Exploring Educational eBooks
14. Embracing eBook Trends
 - Integration of Multimedia Elements
 - Interactive and Gamified eBooks

Matlab Code Zero Forcing Algorithm For Ofdm Introduction

In today's digital age, the availability of Matlab Code Zero Forcing Algorithm For Ofdm books and manuals for download has revolutionized the way we access information. Gone are the days of physically flipping through pages and carrying heavy textbooks or manuals. With just a few clicks, we can now access a wealth of knowledge from the comfort of our own homes or on the go. This article will explore the advantages of Matlab Code Zero Forcing Algorithm For Ofdm books and manuals for download, along with some popular platforms that offer these resources. One of the significant advantages of Matlab Code Zero Forcing Algorithm For Ofdm books and manuals for download is the cost-saving aspect. Traditional books and manuals can be costly, especially if you need to purchase several of them for educational or professional purposes. By accessing Matlab Code Zero Forcing Algorithm For Ofdm versions, you eliminate the need to spend money on physical copies. This not only saves you money but also reduces the environmental impact associated with book production and transportation. Furthermore, Matlab Code Zero Forcing Algorithm For Ofdm books and manuals for download are incredibly convenient. With just a computer or smartphone and an internet connection, you can access a vast library of resources on any subject imaginable. Whether you're a student looking for textbooks, a professional seeking industry-specific manuals, or someone interested in self-improvement, these digital resources provide an efficient and accessible means of acquiring knowledge. Moreover, PDF books and manuals offer a range of benefits compared to other digital formats. PDF files are designed to retain their formatting regardless of the device used to open them. This ensures that the content appears exactly as intended by the author, with no loss of formatting or missing graphics. Additionally, PDF files can be easily annotated, bookmarked, and searched for specific terms, making them highly practical for studying or referencing. When it comes to accessing Matlab Code Zero Forcing Algorithm For Ofdm books and manuals, several platforms offer an extensive collection of resources. One such platform is Project Gutenberg, a nonprofit organization that provides over 60,000 free eBooks. These books are primarily in the public domain, meaning they can be freely distributed and downloaded. Project Gutenberg offers a wide range of classic literature, making it an excellent resource for literature enthusiasts. Another popular platform for Matlab Code Zero Forcing Algorithm For Ofdm books and manuals is Open Library. Open Library is an initiative of the

Internet Archive, a non-profit organization dedicated to digitizing cultural artifacts and making them accessible to the public. Open Library hosts millions of books, including both public domain works and contemporary titles. It also allows users to borrow digital copies of certain books for a limited period, similar to a library lending system. Additionally, many universities and educational institutions have their own digital libraries that provide free access to PDF books and manuals. These libraries often offer academic texts, research papers, and technical manuals, making them invaluable resources for students and researchers. Some notable examples include MIT OpenCourseWare, which offers free access to course materials from the Massachusetts Institute of Technology, and the Digital Public Library of America, which provides a vast collection of digitized books and historical documents. In conclusion, Matlab Code Zero Forcing Algorithm For Ofdm books and manuals for download have transformed the way we access information. They provide a cost-effective and convenient means of acquiring knowledge, offering the ability to access a vast library of resources at our fingertips. With platforms like Project Gutenberg, Open Library, and various digital libraries offered by educational institutions, we have access to an ever-expanding collection of books and manuals. Whether for educational, professional, or personal purposes, these digital resources serve as valuable tools for continuous learning and self-improvement. So why not take advantage of the vast world of Matlab Code Zero Forcing Algorithm For Ofdm books and manuals for download and embark on your journey of knowledge?

FAQs About Matlab Code Zero Forcing Algorithm For Ofdm Books

1. Where can I buy Matlab Code Zero Forcing Algorithm For Ofdm books? Bookstores: Physical bookstores like Barnes & Noble, Waterstones, and independent local stores. Online Retailers: Amazon, Book Depository, and various online bookstores offer a wide range of books in physical and digital formats.
2. What are the different book formats available? Hardcover: Sturdy and durable, usually more expensive. Paperback: Cheaper, lighter, and more portable than hardcovers. E-books: Digital books available for e-readers like Kindle or software like Apple Books, Kindle, and Google Play Books.
3. How do I choose a Matlab Code Zero Forcing Algorithm For Ofdm book to read? Genres: Consider the genre you enjoy (fiction, non-fiction, mystery, sci-fi, etc.). Recommendations: Ask friends, join book clubs, or explore online reviews and recommendations. Author: If you like a particular author, you might enjoy more of their work.
4. How do I take care of Matlab Code Zero Forcing Algorithm For Ofdm books? Storage: Keep them away from direct sunlight and in a dry environment. Handling: Avoid folding pages, use bookmarks, and handle them with clean hands.

- Cleaning: Gently dust the covers and pages occasionally.
5. Can I borrow books without buying them? Public Libraries: Local libraries offer a wide range of books for borrowing. Book Swaps: Community book exchanges or online platforms where people exchange books.
 6. How can I track my reading progress or manage my book collection? Book Tracking Apps: Goodreads, LibraryThing, and Book Catalogue are popular apps for tracking your reading progress and managing book collections. Spreadsheets: You can create your own spreadsheet to track books read, ratings, and other details.
 7. What are Matlab Code Zero Forcing Algorithm For Ofdm audiobooks, and where can I find them? Audiobooks: Audio recordings of books, perfect for listening while commuting or multitasking. Platforms: Audible, LibriVox, and Google Play Books offer a wide selection of audiobooks.
 8. How do I support authors or the book industry? Buy Books: Purchase books from authors or independent bookstores. Reviews: Leave reviews on platforms like Goodreads or Amazon. Promotion: Share your favorite books on social media or recommend them to friends.
 9. Are there book clubs or reading communities I can join? Local Clubs: Check for local book clubs in libraries or community centers. Online Communities: Platforms like Goodreads have virtual book clubs and discussion groups.
 10. Can I read Matlab Code Zero Forcing Algorithm For Ofdm books for free? Public Domain Books: Many classic books are available for free as they're in the public domain. Free E-books: Some websites offer free e-books legally, like Project Gutenberg or Open Library.

Find Matlab Code Zero Forcing Algorithm For Ofdm :

software for small business 32-2069 luxury travel step by step United creators 32-2649 TikTok marketing for beginners for small business improvement trends United States 32-1665 self improvement trends for business 32-1087 career growth tips for startups 32-1359 career growth startups 32-2460 small business ideas comparison United States 32-1100 practices USA 32-2492 TikTok marketing best practices for startups 32-2191 side hustles examples USA 32-1130 side hustles examples USA 32-1763 small business ideas guide United States 32-325 small business entrepreneurs 32-2462 remote work case study for entrepreneurs 32-1521 32-1273 budget travel comparison United States 32-663 budget travel

32-1658 chatbot development review America 32-268 chatbot development

resume writing case study for small business 32-1694 resume writing case

for small business 32-1810 passive income ideas examples for small

personal finance tutorial USA 32-2324 personal finance tutorial United

investing review for startups 32-288 crypto investing roadmap for

Matlab Code Zero Forcing Algorithm For Ofdm :

michelin green guide week go boutique de l aventure michelin - Jan 20 2022

web buy lisbonne 2023 guide vert week go 1 by michelin isbn 9782067256835 from amazon s book store everyday low prices and free delivery on eligible orders

guide vert florence week end guides verts groen - Jul 26 2022

web le guide vert week go michelin un guide complet illustré pratique regroupant itinéraires incontournables coups de cœur pour les courts séjours aller au contenu

florence michelin green guide week go boutique de - Jun 05 2023

web 11 90 with the green guide week go toscane make the most of your few days there find in this guide must sees favorites addresses for all budgets suggestions of

michelin green guide week go boutique de l aventure michelin - Apr 22 2022

web 9 90 with the green guide week go grenada and malaga make the most of your few days there find in this guide must sees favorites addresses for all budgets

florence michelin editions - Oct 09 2023

web with the green guide week go florence make the most of your few days there find in this guide must sees favorites addresses for all budgets suggestions of itineraries

guide vert week go istanbul boutique de l aventure michelin - Jun 24 2022

web must sees favorites addresses for all budgets suggestions of itineraries many maps and plans to find the main starred sites of the destination format 16 x 12 cm french edition

michelin green guide week go boutique de l aventure michelin - Sep 27 2022

web michelin vous guide vert l europe de vos rêves

michelin green guide week go boutique de l aventure michelin - Feb 18 2022

web 9 90 with the week go green guide frankfurt make the most of your short stay in the region find in this guide must sees favorites addresses for all budgets suggestions

green guide week go guide florence michelin french - Mar 02 2023

web buy florence guide vert week go 1 by michelin isbn 9782067256972 from amazon s book store everyday low prices and free delivery on eligible orders

florence guide vert week go amazon co uk michelin - Feb 01 2023

web pour organiser un week end à florence ce guide fournit des informations pratiques et présente les lieux incontournables de la culture de la ville les événements du moment

nice michelin green guide week go boutique de l aventure - May 24 2022

web 10 95 with the green guide week go valence make the most of your few days there find in this guide must sees favorites addresses for all budgets suggestions of

guide vert florence week end guides verts groen - Nov 29 2022

web buy guide vert florence week end 1 by michelin isbn 9782067237742 from amazon s book store everyday low prices and free delivery on eligible orders

grenada and malaga michelin green guide week go - Mar 22 2022

web the michelin green guide week go is a comprehensive illustrated practical guide containing the essential itineraries and favorites for short stays

michelin green guide week go boutique de l aventure michelin - May 04 2023

web tout en couleur et richement illustré ce guide au format pocket vous propose les immanquables à visiter les coups de coeur des auteurs michelin des programmes

guide vert week go michelin youtube - Aug 27 2022

web guide vert florence week end guides verts groen michelin on amazon com au free shipping on eligible orders guide vert florence week

guide vert florence week end amazon co uk - Oct 29 2022

web the michelin green guide week go is a comprehensive illustrated practical guide containing the essential itineraries and favorites for short stays

lisbonne 2023 guide vert week go paperback - Dec 19 2021

guide vert week go florence boutique de l aventure michelin - Aug 07 2023

web le guide vert week go le meilleur de la destination un plan détachable les incontournables et nos coups de coeur un concentré d informations pratiques et

amazon fr guide vert week go florence michelin livres - Apr 03 2023

web with the green week amp go florence enjoy 100 of your few days on the spot while color and richly illustrated this guide in pocket format offers the unmissable to visit the

florence michelin green guide week go - Sep 08 2023

web des suggestions d itinéraires de nombreux cartes et plans pour retrouver les principaux sites étoilés de la destination format 16 x 12 cm edition française ajouter au panier

guide vert week go florence by collectif michelin goodreads - Dec 31 2022

web buy guide vert florence week end guides verts groen michelin 01 by michelin isbn 9782067154360 from amazon s book store everyday low prices and

le guide vert week go michelin editions - Jul 06 2023

web the michelin green guide week go is a comprehensive illustrated practical guide containing the essential itineraries and favorites for short stays

durante una ínfima eternidad la sociedad vampírica de daris - Jun 05 2023

web reseña durante una ínfima eternidad de elena ferrutxe dulce locura kaname zero vampire knight nc 17 aino personajes oficiales página 6 foroactivo los anunnaki legnalenja página 3 elena ferrutxe fernandez durante una infima eternidad la sociedad vampirica de daris pdf estas aqui tengo 9 anos y me encantan los zombies el libro para

durante una ínfima eternidad la sociedad vampírica de daris - Aug 07 2023

web sep 2 2021 la sociedad vampírica de daris un pueblo recóndito escondido de miradas humanas se divide en dos clases los privilegiados obros nacidos como vampiros y los ergnas los humanos transformados para servir a los primeros

İntikamcı vampir pontianak korkunç Şehir efsaneleri - Jun 24 2022

web oct 1 2022 kıta kıta dolaşmak farklı coğrafyaları keşfetmek ve oraların hikayelerini araştırmak dünyadaki kültürel zenginlik her yeni keşifte daha fazla gözlerimi kam

durante una ínfima eternidad la sociedad vampírica de daris - Jul 06 2023

web apr 10 2017 buy durante una ínfima eternidad la sociedad vampírica de daris criaturas de la noche nº 1 spanish edition read kindle store reviews amazon com

durante una infima eternidad la sociedad vampiric - Oct 29 2022

web durante una infima eternidad la sociedad vampiric arbol de la ciencia nuevamente jun 11 2021 siempre al alcance de la mano dura un parpadeo la eternidad es saltarina una pulga pasando de cuerpo en cuerpo en suma no es lo que era humor un humor solapado el mismo con el que la eternidad se burla de

durante una infima eternidad la sociedad vampiric pdf - Feb 18 2022

web durante una infima eternidad la sociedad vampiric is additionally useful you have remained in right site to start getting

this info acquire the durante una infima eternidad la sociedad vampiric associate that we allow here and check out the link you could buy lead durante una infima eternidad la sociedad vampiric or acquire it as soon as

durante una ínfima eternidad la sociedad vampírica de daris - Sep 08 2023

web un día naira decide romper las reglas y visitar la aldea de humanos más cercana la colonia llevándose con ella a set quien aún temiendo las horribles consecuencias que le pueden esperar a su vuelta la sigue sin quejas conducido por su atracción hacia ella

durante una infima eternidad la sociedad vampiric ruth harris - Dec 31 2022

web of this durante una infima eternidad la sociedad vampiric can be taken as capably as picked to act the edge of running water william sloane 1980 06 01 a machine is invented to enable people to communicate with the dead capital of pain paul Éluard 2006 capital of pain is considered one of the key texts of surrealism this is the

durante una infima eternidad la sociedad vampiric - Apr 03 2023

web 4 durante una infima eternidad la sociedad vampiric 2023 06 07 miembros más leales porque en esta comunidad nada es lo que parece o sí durante una ínfima eternidad alfaguara el asesino perfecto no tiene amigos solo objetivos la primera parte de el Ángel de la noche la trilogía de fantasía épica que ha convertido a brent

durante una infima eternidad la sociedad vampiric - May 24 2022

web el umbral de la eternidad cierra esta gran trilogía y la crónica de un siglo turbulento en ella vivimos la historia íntima y personal de tres generaciones de cinco familias cuyas vidas estuvieron marcadas por dos guerras mundiales la revolución rusa la guerra civil española y la guerra fría junto con

vampir olmak mı İnsan kalmak mı bu devirde vampir olmak - Aug 27 2022

web sep 7 2018 İnsanın vampir olası geliyor tek ihtiyacın biraz kan ve nemlendirici 5 ya senin bakışların beni eritiyor em kanımın dedirten bakışlara sahip olmak gözlerin seni ele veriyor 6 kan ile beslenerek hem formda kalmak hem de mutfak masraflarından kısarak cebi dolu tutmak bas paraları bas bas 7

durante una infima eternidad la sociedad vampiric lawrence - May 04 2023

web kindly say the durante una infima eternidad la sociedad vampiric is universally compatible with any devices to read clea lawrence durrell 2023 03 11 the final installment of the alexandria quartet hailed by the new york times book review as one of the most important works of our time years after his liaisons with justine and melissa

durante una infima eternidad la sociedad vampiric copy - Feb 01 2023

web durante una infima eternidad la sociedad vampiric title durante una infima eternidad la sociedad vampiric copy interactivearchivist archivists org subject durante una infima eternidad la sociedad vampiric copy

durante una infima eternidad la sociedad vampiric pdf graph - Apr 22 2022

web durante una infima eternidad la sociedad vampiric downloaded from graph safehousetech com by guest middleton chris i coloquio independently published este libro representa una excelente introducción para el lector interesado en conocer lo que ha sucedido en brasil en los últimos veinte años o más durante el

durante una infima eternidad la sociedad vampiric jorge luis - Mar 02 2023

web durante una infima eternidad la sociedad vampiric but stop stirring in harmful downloads rather than enjoying a good pdf with a cup of coffee in the afternoon on the other hand they juggled subsequently some harmful virus inside their computer

vampires werewolves netflix resmi sitesi - Jul 26 2022

web İzleyecek daha pek çok şey var netflix uzun metrajlı filmler belgeseller diziler ve programlar anime ödüllü netflix orijinal içerikleri ve daha fazlasından oluşan kapsamlı bir kütüphaneye sahiptir

durante una infima eternidad la sociedad vampiric - Oct 09 2023

web durante una infima eternidad la sociedad vampiric 3 3 un d a naira decide romper las reglas y visitar la aldea de humanos m s cercana la colonia llev ndose con ella a set quien a n temiendo las horribles consecuencias que se le pueden esperar a su vuelta la sigue sin quejas conducido por su atracci n hacia ella pero en poco tiempo se dar n

durante una infima eternidad la sociedad vampiric - Sep 27 2022

web as this durante una infima eternidad la sociedad vampiric it ends going on instinctive one of the favored ebook durante una infima eternidad la sociedad vampiric collections that we have this is why you remain in the best website to see the amazing books to have based on a true story donald f stevens 1998 07 01

durante una infima eternidad la sociedad vampiric - Nov 29 2022

web durante una infima eternidad la sociedad vampiric downloaded from betamedia testfakta se by guest avery hudson brasil en contexto 1987 2007 hachette uk este libro representa una excelente introducción para el lector interesado en conocer lo que ha sucedido en brasil en los últimos veinte años o más durante el llamado período

durante una infima eternidad la sociedad vampirica de daris - Mar 22 2022

web may 17 2023 full text of primer congreso femenino internacional de la dulce locura kaname zero vampire knight nc 17 aino gotico 06 sep 2009 extranyologia 8 by maria jose perez issuu durante una infima eternidad la sociedad vampirica de elena ferrutxe fernandez durante una infima eternidad la sociedad vampirica de daris elena martinez

guia de los senuelos artificiales para la pesca e - Apr 20 2022

web la feroz oposición que ella enfrentó tanto dentro como fuera de la iglesia católica esta es una inspiradora historia de supervivencia y una prueba de que la fe de una mujer

guia de los senuelos artificiales para la pesca e luis - May 22 2022

web merely said the guia de los señuelos artificiales para la pesca e is universally compatible like any devices to read guia de campo de las especies comerciales

guia de los señuelos artificiales para la pesca e luis - Dec 17 2021

web guia de los señuelos artificiales para la pesca e getting the books guia de los señuelos artificiales para la pesca e now is not type of inspiring means you could

guía de los señuelos artificiales para la pesca en - Jan 30 2023

web guía de los señuelos artificiales para la pesca en el mar ebook es una libro escrito por jose maria cal carvajal descubre todos los libros de ebooks ocio y

guia de los señuelos artificiales para la pesca en - Dec 29 2022

web lee ahora en digital con la aplicación gratuita kindle guia de los señuelos artificiales para la pesca en el mar ebook cal jose maria amazon es

guia de los señuelos artificiales para la pesca e copy - Nov 15 2021

web guia de los señuelos artificiales para la pesca e downloaded from admision cbp edu pe by guest ortiz emilio the zombie survival guide alhena media

la guía definitiva todo lo que querías saber sobre los señuelos - Sep 25 2022

web los señuelos usan principalmente un nudo uni que es un nudo fuerte que el gato forma un pequeño lazo que puede ser usado para unirse a la línea o a la correa de la mosca

guía de los señuelos artificiales para la pesca en - Jul 24 2022

web esta excelente y completa guía abarca todas las familias de señuelos artificiales existentes en el mundo nos describirá el apasionante deporte de la pesca desde costa

guía para utilizar señuelos artificiales en la pesca - Oct 07 2023

web te presentaremos una guía completa para utilizar señuelos artificiales en la pesca exploraremos los diferentes tipos de señuelos disponibles en el mercado desde los

1 nacen los primeros señuelos artificiales - Feb 28 2023

web guía de señuelos artificiales para la pesca en el mar 12 aquella época después de la guerra como el aumento vertiginoso de la población el apoyo del estado hacia

guia de los señuelos artificiales para la pesca e 2023 - May 02 2023

web guia de los señuelos artificiales para la pesca e guia de los señuelos artificiales para la pesca e 3 downloaded from ead3 archivists org on 2021 07 02 by guest

guía de los señuelos artificiales para la pesca en el mar digital - Jul 04 2023

web guía de los señuelos artificiales para la pesca en el mar Índice prólogo 1 nacen los primeros señuelos artificiales los norteamericanos y rapala comienza la leyenda 2

guia de los senuelos artificiales para la pesca e - Aug 25 2022

web guia de los senuelos artificiales para la pesca e arroyos o en los torrentes al pie de las montañas la pesca es un arte del que deben aprenderse todos los detalles para

señuelos artificiales análisis y guía de compra 2023 - Nov 27 2022

web además los señuelos artificiales también son menos costosos en comparación con los señuelos naturales lo que significa que puedes comprar varios para usar en diferentes

guía completa pesca con señuelos artificiales mejor técnica - Aug 05 2023

web en esta guía completa sobre la pesca con señuelos artificiales aprenderás todo lo necesario para dominar esta técnica comenzaremos por explicar los diferentes tipos de

guia de los senuelos artificiales para la pesca e 2022 - Mar 20 2022

web guia de los senuelos artificiales para la pesca e 1 guia de los senuelos artificiales para la pesca e as recognized adventure as well as experience about lesson

donde pescar novedades en senuelos para troleo - Jan 18 2022

web novedades en señuelos para troleo pescar es una arte que se desarrolla en el campo de acción y es el conocimiento de lo mejor lo que nos permite ser exitosos es

□ *señuelos para pesca peces artificiales catálogo 2023* - Oct 27 2022

web 4 49 eur comprar en amazon kit de pesca señuelos para spinning y mar 13 99 eur comprar en amazon gzgxkj 5 señuelos pesca señuelos pesca black 9 97

guia de los senuelos artificiales para la pesca e argentina - Feb 16 2022

web pesca e getting the books guia de los senuelos artificiales para la pesca e now is not type of challenging means you could not without help going like ebook heap or library or

los mejores señuelos artificiales para pescar robalo en 2022 - Jun 22 2022

web para tener éxito en la pesca de robalo es esencial utilizar los señuelos artificiales adecuados que imiten los movimientos y aspecto de sus presas naturales

guía de los señuelos artificiales para la pesca en el mar - Jun 03 2023

web guía de los señuelos artificiales para la pesca en el mar rcediciones 2011 186 pages guía de los señuelos artificiales para la pesca en el mar publisher rcediciones

guia de los señuelos artificiales para la pesca en - Apr 01 2023

web mar 31 2011 esta excelente y completa guía abarca todas las familias de señuelos artificiales existentes en el mundo nos describirá el apasionante deporte de la pesca

[guía completa para pescar peces con señuelos artificiales](#) - Sep 06 2023

web en esta guía te enseñaremos cómo seleccionar los señuelos adecuados según el tipo de pez que deseas capturar cómo utilizarlos de manera efectiva qué técnicas de