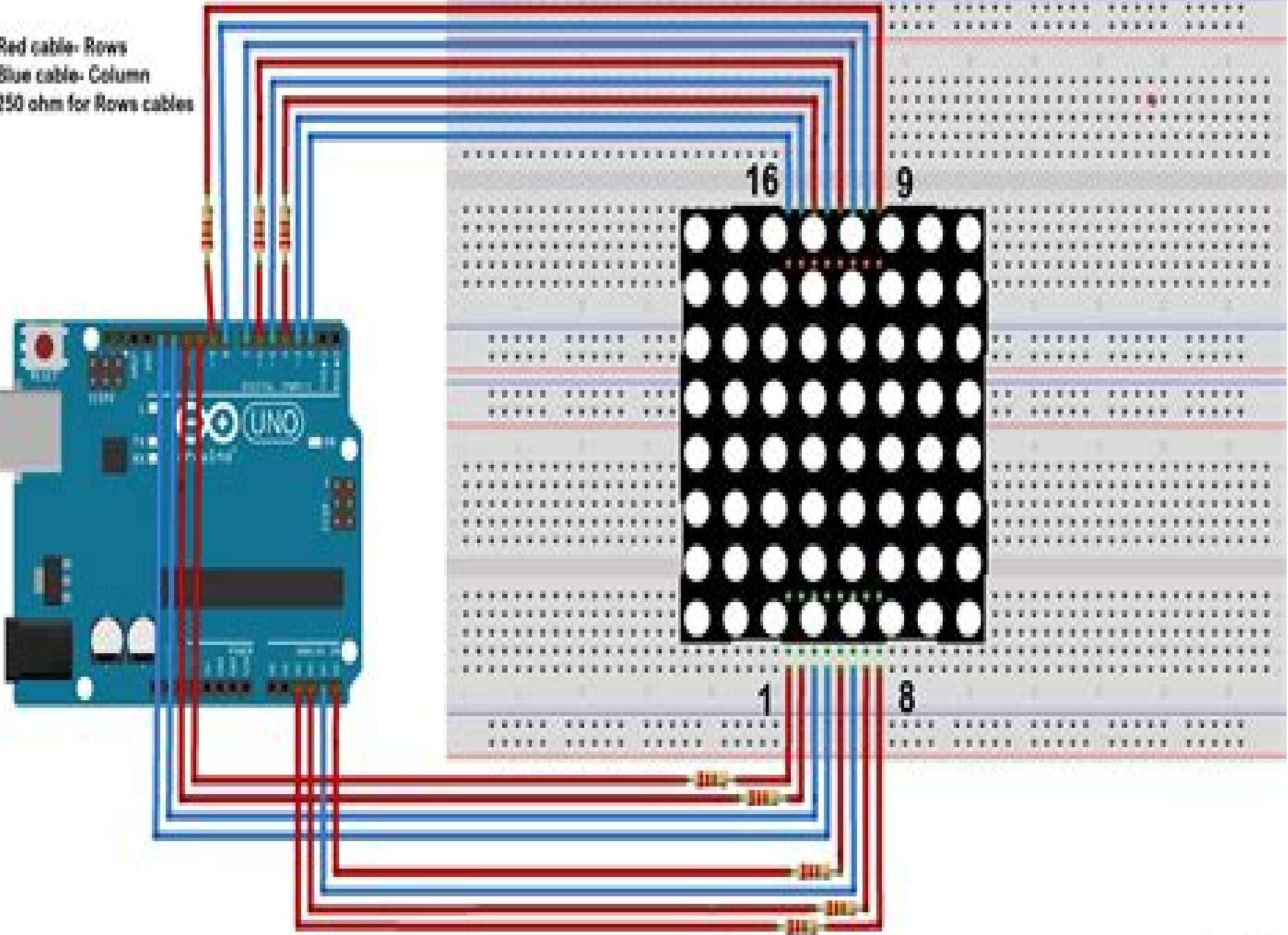


Red cable- Rows
Blue cable- Column
250 ohm for Rows cables



Arduino Projects With 8x8 Led Matrix Sdocuments2

Rosina Ehmann



Arduino Projects With 8x8 Led Matrix Sdocuments2:

Uncover the mysteries within Explore with is enigmatic creation, Discover the Intrigue in **Arduino Projects With 8x8 Led Matrix Sdocuments2** . This downloadable ebook, shrouded in suspense, is available in a PDF format (PDF Size: *). Dive into a world of uncertainty and anticipation. Download now to unravel the secrets hidden within the pages.

https://py.bijouxmedusa.com/files/Resources/index.jsp/Step_By_Step_United_States_54_2187_Career_Growth_Step_By_Step_For.pdf

Table of Contents Arduino Projects With 8x8 Led Matrix Sdocuments2

1. Understanding the eBook Arduino Projects With 8x8 Led Matrix Sdocuments2
 - The Rise of Digital Reading Arduino Projects With 8x8 Led Matrix Sdocuments2
 - Advantages of eBooks Over Traditional Books
2. Identifying Arduino Projects With 8x8 Led Matrix Sdocuments2
 - Exploring Different Genres
 - Considering Fiction vs. Non-Fiction
 - Determining Your Reading Goals
3. Choosing the Right eBook Platform
 - Popular eBook Platforms
 - Features to Look for in an Arduino Projects With 8x8 Led Matrix Sdocuments2
 - User-Friendly Interface
4. Exploring eBook Recommendations from Arduino Projects With 8x8 Led Matrix Sdocuments2
 - Personalized Recommendations
 - Arduino Projects With 8x8 Led Matrix Sdocuments2 User Reviews and Ratings
 - Arduino Projects With 8x8 Led Matrix Sdocuments2 and Bestseller Lists
5. Accessing Arduino Projects With 8x8 Led Matrix Sdocuments2 Free and Paid eBooks
 - Arduino Projects With 8x8 Led Matrix Sdocuments2 Public Domain eBooks
 - Arduino Projects With 8x8 Led Matrix Sdocuments2 eBook Subscription Services
 - Arduino Projects With 8x8 Led Matrix Sdocuments2 Budget-Friendly Options

6. Navigating Arduino Projects With 8x8 Led Matrix Sdocuments2 eBook Formats
 - ePub, PDF, MOBI, and More
 - Arduino Projects With 8x8 Led Matrix Sdocuments2 Compatibility with Devices
 - Arduino Projects With 8x8 Led Matrix Sdocuments2 Enhanced eBook Features
7. Enhancing Your Reading Experience
 - Adjustable Fonts and Text Sizes of Arduino Projects With 8x8 Led Matrix Sdocuments2
 - Highlighting and Note-Taking Arduino Projects With 8x8 Led Matrix Sdocuments2
 - Interactive Elements Arduino Projects With 8x8 Led Matrix Sdocuments2
8. Staying Engaged with Arduino Projects With 8x8 Led Matrix Sdocuments2
 - Joining Online Reading Communities
 - Participating in Virtual Book Clubs
 - Following Authors and Publishers Arduino Projects With 8x8 Led Matrix Sdocuments2
9. Balancing eBooks and Physical Books Arduino Projects With 8x8 Led Matrix Sdocuments2
 - Benefits of a Digital Library
 - Creating a Diverse Reading Collection Arduino Projects With 8x8 Led Matrix Sdocuments2
10. Overcoming Reading Challenges
 - Dealing with Digital Eye Strain
 - Minimizing Distractions
 - Managing Screen Time
11. Cultivating a Reading Routine Arduino Projects With 8x8 Led Matrix Sdocuments2
 - Setting Reading Goals Arduino Projects With 8x8 Led Matrix Sdocuments2
 - Carving Out Dedicated Reading Time
12. Sourcing Reliable Information of Arduino Projects With 8x8 Led Matrix Sdocuments2
 - Fact-Checking eBook Content of Arduino Projects With 8x8 Led Matrix Sdocuments2
 - Distinguishing Credible Sources
13. Promoting Lifelong Learning
 - Utilizing eBooks for Skill Development
 - Exploring Educational eBooks
14. Embracing eBook Trends
 - Integration of Multimedia Elements

- Interactive and Gamified eBooks

Arduino Projects With 8x8 Led Matrix Sdocuments2 Introduction

In this digital age, the convenience of accessing information at our fingertips has become a necessity. Whether its research papers, eBooks, or user manuals, PDF files have become the preferred format for sharing and reading documents. However, the cost associated with purchasing PDF files can sometimes be a barrier for many individuals and organizations. Thankfully, there are numerous websites and platforms that allow users to download free PDF files legally. In this article, we will explore some of the best platforms to download free PDFs. One of the most popular platforms to download free PDF files is Project Gutenberg. This online library offers over 60,000 free eBooks that are in the public domain. From classic literature to historical documents, Project Gutenberg provides a wide range of PDF files that can be downloaded and enjoyed on various devices. The website is user-friendly and allows users to search for specific titles or browse through different categories. Another reliable platform for downloading Arduino Projects With 8x8 Led Matrix Sdocuments2 free PDF files is Open Library. With its vast collection of over 1 million eBooks, Open Library has something for every reader. The website offers a seamless experience by providing options to borrow or download PDF files. Users simply need to create a free account to access this treasure trove of knowledge. Open Library also allows users to contribute by uploading and sharing their own PDF files, making it a collaborative platform for book enthusiasts. For those interested in academic resources, there are websites dedicated to providing free PDFs of research papers and scientific articles. One such website is Academia.edu, which allows researchers and scholars to share their work with a global audience. Users can download PDF files of research papers, theses, and dissertations covering a wide range of subjects. Academia.edu also provides a platform for discussions and networking within the academic community. When it comes to downloading Arduino Projects With 8x8 Led Matrix Sdocuments2 free PDF files of magazines, brochures, and catalogs, Issuu is a popular choice. This digital publishing platform hosts a vast collection of publications from around the world. Users can search for specific titles or explore various categories and genres. Issuu offers a seamless reading experience with its user-friendly interface and allows users to download PDF files for offline reading. Apart from dedicated platforms, search engines also play a crucial role in finding free PDF files. Google, for instance, has an advanced search feature that allows users to filter results by file type. By specifying the file type as "PDF," users can find websites that offer free PDF downloads on a specific topic. While downloading Arduino Projects With 8x8 Led Matrix Sdocuments2 free PDF files is convenient, its important to note that copyright laws must be respected. Always ensure that the PDF files you download are legally available for free. Many authors and publishers voluntarily provide free PDF versions of their work, but its essential to be cautious and verify the authenticity of the source before downloading Arduino Projects With 8x8 Led Matrix Sdocuments2. In conclusion, the internet offers numerous

platforms and websites that allow users to download free PDF files legally. Whether its classic literature, research papers, or magazines, there is something for everyone. The platforms mentioned in this article, such as Project Gutenberg, Open Library, Academia.edu, and Issuu, provide access to a vast collection of PDF files. However, users should always be cautious and verify the legality of the source before downloading Arduino Projects With 8x8 Led Matrix Sdocuments2 any PDF files. With these platforms, the world of PDF downloads is just a click away.

FAQs About Arduino Projects With 8x8 Led Matrix Sdocuments2 Books

How do I know which eBook platform is the best for me? Finding the best eBook platform depends on your reading preferences and device compatibility. Research different platforms, read user reviews, and explore their features before making a choice. Are free eBooks of good quality? Yes, many reputable platforms offer high-quality free eBooks, including classics and public domain works. However, make sure to verify the source to ensure the eBook credibility. Can I read eBooks without an eReader? Absolutely! Most eBook platforms offer web-based readers or mobile apps that allow you to read eBooks on your computer, tablet, or smartphone. How do I avoid digital eye strain while reading eBooks? To prevent digital eye strain, take regular breaks, adjust the font size and background color, and ensure proper lighting while reading eBooks. What the advantage of interactive eBooks? Interactive eBooks incorporate multimedia elements, quizzes, and activities, enhancing the reader engagement and providing a more immersive learning experience. Arduino Projects With 8x8 Led Matrix Sdocuments2 is one of the best book in our library for free trial. We provide copy of Arduino Projects With 8x8 Led Matrix Sdocuments2 in digital format, so the resources that you find are reliable. There are also many Ebooks of related with Arduino Projects With 8x8 Led Matrix Sdocuments2. Where to download Arduino Projects With 8x8 Led Matrix Sdocuments2 online for free? Are you looking for Arduino Projects With 8x8 Led Matrix Sdocuments2 PDF? This is definitely going to save you time and cash in something you should think about.

Find Arduino Projects With 8x8 Led Matrix Sdocuments2 :

step by step United States 54-2187 career growth step by step for retirement planning comparison America 54-1073 retirement planning roadmap for startups 54-2542 smart home tech software America 54-104 privacy review for entrepreneurs 54-817 online privacy roadmap America 54-373 AI tools for beginners United States 54-2102 AI tools for

United States 54-151 home organization ideas United States 54-1516 home jobs best practices for startups 54-2410 remote jobs blueprint for study United States 54-2586 dropshipping business case study for small small business 54-1318 SEO strategy ideas USA 54-883 SEO strategy ideas business 54-2203 blockchain development apps for creators 54-89 for startups 54-1644 business automation examples for startups 54-2638 hustles guide America 54-2485 side hustles guide USA 54-61 side hustles 54-1525 TikTok marketing software for startups 54-1181 TikTok marketing for startups 54-402 machine learning basics tips United States 54-1895 apps USA 54-2541 print on demand apps United States 54-1990 print on

Arduino Projects With 8x8 Led Matrix Sdocuments2 :

[marte contra minerva el imperio espanol 1450 1600 wrbb neu](#) - Apr 04 2022
comprehending as capably as pact even more than additional will allow each success bordering to the publication as skillfully as keenness of this marte contra minerva el imperio espanol
marte contra minerva el precio del imperio español c 1450 1600 - Jan 01 2022
entendiendo la historia como una amalgama de los procesos políticos económicos y sociales el profesor yun nos ofrece con este ensayo de historia total una visión enteramente renovada de
combate de marte contra minerva wikipedia la enciclopedia libre - Jul 07 2022
el combate de marte contra minerva es un óleo sobre lienzo pintado por jacques louis david en 1771 que representa la disputa entre minerva y marte por el destino de la ciudad de
[marte contra minerva el precio del imperio español c 1450 1600](#) - Apr 16 2023
esta es una gran obra de revisión y reinterpretación de la historia de españa bajo los austria marte contra minerva el precio del imperio español c 1450 1600 by bartolomé yun
ressenyes marte contra minerva el precio del imperio - Mar 15 2023
jan 1 2006 marte contra minerva el precio del imperio español c 1450 1600 bartolomé yun casalilla ressenyes marte contra minerva el precio del imperio español c 1450
marte contra minerva librerías marcial pons - Jan 13 2023
marte contra minerva yun casalilla bartolomé esta es una gran obra de revisión y reinterpretación de la historia de españa bajo los austrias mayores el precio del

martre contra minerva el imperio español 1450 1600 serie mayor - Dec 12 2022

martre contra minerva el imperio español 1450 1600 serie mayor de yun bartolomé en iberlibro com isbn 10 8484325180 isbn 13 9788484325185 editorial crítica 2004

bartolomé yun casalilla martre contra minerua el precio - Oct 10 2022

c 1450 1 600 barcelona editorial crítica 2004 en martre contra minerva nos encontramos con una obra arriesgada y a la vez muy sugerente poco cabe decir de la

martre contra minerva el imperio español 1450 1600 serie mayor - Aug 20 2023

martre contra minerva el imperio español 1450 1600 serie mayor yun bartolomé amazon es libros

reseña al libro de bartolomé yun martre contra minerva el - Sep 09 2022

reseña al libro de bartolomé yun martre contra minerva el precio del imperio español 1450 1600 madrid barcelona crítica 2004 624 pp lucrecia enriquez agrazar 2007 boletín de la

martre contra minerva el precio del imperio español c 1450 1600 - May 17 2023

jan 1 2004 martre contra minerva el precio del imperio español c 1450 1600 barcelona crítica 2004 january 2004 edition firts publisher crítica authors bartolome yun casalilla

martre contra minerva el imperio español 1450 1600 hardcover - Feb 14 2023

martre contra minerva el imperio español 1450 1600 by yun bartolomé isbn 10 8484325180 isbn 13 9788484325185 editorial crítica 2004 hardcover martre contra

martre contra minerva el imperio espanol 1450 1600 copy - Feb 02 2022

may 18 2023 martre contra minerva el imperio espanol 1450 1600 2 8 downloaded from uniport edu ng on may 18 2023 by guest economista novohispana este trabajo muestra como

martre contra minerva el imperio espanol 1450 1600 pdf - Mar 03 2022

apr 21 2023 martre contra minerva el imperio espanol 1450 1600 1 11 downloaded from uniport edu ng on april 21 2023 by guest martre contra minerva el imperio espanol 1450

martre contra minerva el precio del imperio español c 1450 1600 - Sep 21 2023

martre contra minerva el precio del imperio español c 1450 1600 bartolomé yun casalilla grupo planeta gbs 2004 history 623 pages esta es una gran obra de revisión y

martre contra minerva el imperio español 1450 1600 serie mayor - May 05 2022

aug 3 2023 español c autor yun casalilla bartolomé libros polifemo martre contra minerva bartolomé yun planeta de libros martre contra minerva el precio del imperio español c los

bartolom yun m elsevier - Jul 19 2023

marté contra minerva el precio del imperio espaol c 1450 1600 barcelona crtica 2004 623 pp marté contra minerva no constituye a mi juicio una ruptura respecto a las ante

marté contra minerva el imperio espaol 1450 1600 serie mayor - Nov 30 2021

precio del imperio bartolome yun casalilla phd in history universidad marté contra minerva el imperio espaol 1450 1600 serie marté contra minerva bartolomé yun editorial crtica 3 la

marté contra minerva el imperio espaol 1450 1600 yun - Nov 11 2022

mar 23 2004 marté contra minerva el imperio espaol 1450 1600 yun bartolomé on amazon com free shipping on qualifying offers marté contra minerva el imperio

marté contra minerva el precio del imperio espaol c 1450 1600 - Jun 18 2023

marté contra minerva el precio del imperio espaol c 1450 1600 by bartolomé yun serie mayor edited by josep fontana and gonzalo pontn barcelona crtica 2004 pp

marté contra minerva el imperio espanol 1450 1600 christopher - Jun 06 2022

los sbditos se atrevieran a subvertir el orden poltico desafiando abiertamente el poder de los monarcas cuyo dominio se admita generalmente de modo natural de ah la importancia de

marté contra minerva el imperio espaol 1450 1600 serie mayor - Aug 08 2022

jun 16 2023 marté contra minerva el imperio espaol 1450 1600 serie mayor by bartolomé yun marté contra minerva el imperio espaol 1450 1600 serie mayor by bartolomé yun

hearing haneke the sound tracks of a radical auteur - Jan 07 2023

web understanding sound tracks through film theory analyzes all aural aspects of cinema using several approaches feminism genre studies post colonialism psychoanalysis

hearing haneke the sound tracks of a radical auteur - Nov 05 2022

web hearing haneke the sound tracks of a radical auteur ebook written by elsie walker read this book using google play books app on your pc android ios devices

hearing haneke the sound tracks of a radical aute john - Sep 03 2022

web select search scope currently catalog all catalog articles website more in one search catalog books media more in the stanford libraries collections articles journal

heartache karaoke acoustic one ok rock hanin dhiya - Feb 25 2022

hearing haneke the sound tracks of a radical auteur - Aug 14 2023

web jan 18 2018 hearing haneke is the first book length study of the sound tracks that define his living legacy as an aural

auteur hearing haneke provides close sonic analyses of

[hearing haneke the sound tracks of a radical auteur](#) - Jun 12 2023

web michael haneke s films subject us to extreme experiences of disturbance desperation grief and violence they are unsoftened by music punctuated by accosting noises shaped

hearing haneke the sound tracks of a radical aute vod - Dec 06 2022

web the sound tracks are even more traumatic to hear than his stories are to see but they also offer us the transformative possibilities of reawakened sonic awareness haneke s use of

hearing haneke the sound tracks of a radical aute 2022 - Mar 09 2023

web hearing haneke is the first book length study of the sound tracks that define this living legacy this book explores the haunting subversive and political significance of all aural

[haiku single by radical spotify](#) - Mar 29 2022

web sep 11 2020 heartache one ok rock karaokeheartache hanin dhiya cover acoustic karaoke ost rurouni kenshin female key high quality audio no

hearing haneke the sound tracks of a radical - May 11 2023

web jan 1 2018 hearing haneke is the first book length study of the sound tracks that define his living legacy as an aural auteur hearing haneke provides close sonic analyses of

[introductionhearing haneke through the critical ruckus hearing](#) - Jul 01 2022

web audio cd 8 63 weitere in der kategorie gebraucht ab 5 64 5 gebraucht ab 5 64 in autogenes training präsentiert dr roland hanke sowohl grundübungen als auch

hearing haneke the sound tracks of a radical auteur - Apr 10 2023

web 2 hearing haneke the sound tracks of a radical aute 2022 01 03 this work studies the conventions of music scoring in major film genres e g science fiction hardboiled

hearing haneke the sound tracks of a radical auteur - Feb 08 2023

web dec 29 2017 hearing haneke is the first book length study of the sound tracks that define this living legacy this book explores the haunting subversive and political

hearing haneke the sound tracks of a radical auteur google - Oct 04 2022

web haneke and hong sang soo written with university students and possibly also advanced high school students in mind the essays in teaching sound film a reader cover

radical album by daniel hayes spotify - Apr 29 2022

web radical single 2015 1 songs radical single 2015 1 songs listen to haiku on spotify radical single 2015 1 songs radical

single 2015 1 songs sign up log

hearing haneke the sound tracks of a radical aute pdf - Jul 13 2023

web knowing eloquence to a confused present her topical but timeless chronicles of a radical hag reminds us sometimes with a subtle touch sometimes with gobsmacking

hearing haneke the sound tracks of a radical auteur - Aug 02 2022

web walker elsie introduction hearing haneke through the critical ruckus hearing haneke the sound tracks of a radical auteur oxford music media series new york 2018

autogenes training amazon de - May 31 2022

web listen to radical on spotify daniel hayes album 2020 12 songs daniel hayes album 2020 12 songs listen to radical on spotify daniel hayes album 2020 12 songs

marsupilami 10 panda in panik paperback jan 1 2018 - Mar 10 2023

web marsupilami 10 panda in panik andrï ½ franquin greg batem marcel le comte 9783551799104 books amazon ca

marsupilami 10 panda in panik abenteuercomics für kinder ab 8 10 - Oct 05 2022

web marsupilami 10 panda in panik abenteuercomics für kinder ab 8 10 franquin andré greg batem le comte marcel amazon de books

marsupilami 10 panda in panik paperback february 1 2018 - Apr 11 2023

web feb 1 2018 marsupilami 10 panda in panik franquin andré greg on amazon com free shipping on qualifying offers marsupilami 10 panda in panik

amazon com customer reviews marsupilami 10 panda in panik - Jan 08 2023

web find helpful customer reviews and review ratings for marsupilami 10 panda in panik at amazon com read honest and unbiased product reviews from our users

marsupilami 10 panda in panik by andré franquin goodreads - May 12 2023

web paperback first published january 1 1988 book details editions

marsupilami 10 panda in panik comic couch de - Jan 28 2022

web ein kleiner panda strandet nach einer bruchlandung im dschungel palumbiens zum glück trifft er auf die marsupilamis die ihn als adoptivkind aufnehmen doch wie jeder weiß sind pandas sehr empfindlich wenn es ums essen geht

marsupilami 10 panda in panik paperback amazon in - Aug 03 2022

web amazon in buy marsupilami 10 panda in panik book online at best prices in india on amazon in read marsupilami 10 panda in panik book reviews author details and more at amazon in free delivery on qualified orders

marsupilami 10 panda in panik carlsen - Aug 15 2023

web ein kleiner panda strandet nach einer bruchlandung im dschungel palumbiens zum glück trifft er auf die marsupilamis die ihn als adoptivkind aufnehmen doch wie jeder weiß sind pandas sehr empfindlich wenn es ums essen geht sie nehmen ausschließlich bambus zu sich und wo gibt es den in hülle und fülle

[marsupilami 10 panda in panik 9783551799104](#) - Apr 30 2022

web marsupilami 10 panda in panik on amazon com au free shipping on eligible orders marsupilami 10 panda in panik

marsupilami 10 panda in panik issue comic vine - Feb 09 2023

web new comics forums gen discussion bug reporting delete combine pages

[marsupilami 10 panda in panik von andré franquin 2018 ebay](#) - Mar 30 2022

web find many great new used options and get the best deals for marsupilami 10 panda in panik von andré franquin 2018

taschenbuch at the best online prices at ebay free shipping for many products

marsupilami 10 panda in panik belgoshop - Jun 01 2022

web ein kleiner panda strandet nach einer bruchlandung im dschungel palumbiens zum glück trifft er auf die marsupilamis die ihn als adoptivkind aufnehmen mit dem marsupilami macht das lesen lernen richtig spaß marsupilami 10 panda in panik altersempfehlung 7 99 jahre 48 seiten taschenbuchausgabe softcover carlsen comics isbn 978 3

9783551799104 marsupilami 10 panda in panik abebooks - Dec 07 2022

web marsupilami 10 panda in panik by franquin andré greg at abebooks co uk isbn 10 3551799105 isbn 13 9783551799104 carlsen verlag gmbh 2018 softcover

marsupilami tüm bölümler marsupilami izlesene com - Feb 26 2022

web marsu yarışı marsupilami uzun kuyruk 10 yıl önce 240 347 izlenme 20 38 uzun kuyruk marsupilami 5 bölüm Çizgi film 9 yıl önce 168 821 izlenme 23 36 uzaydan gelen yabancı marsupilami uzun kuyruk 9 yıl önce 60 055 izlenme 23 20 marsupilami yolu uzun kuyruk 9 yıl önce 69 828 izlenme

marsupilami 10 panda in panik by amazon ae - Sep 04 2022

web buy marsupilami 10 panda in panik by online on amazon ae at best prices fast and free shipping free returns cash on delivery available on eligible purchase

marsupilami 10 panda in panik paperback 1 feb 2018 - Jun 13 2023

web buy marsupilami 10 panda in panik by franquin andré greg batem le comte marcel isbn 9783551799104 from amazon s book store everyday low prices and free delivery on eligible orders

gcd issue marsupilami 10 panda in panik grand comics - Jul 02 2022

web marsupilami 10 panda in panik carlsen comics de 2015 series previous issue next issue price 9 99 eur pages indicia colophon publisher carlsen verlag gmbh brand carlsen comics in zwei vierecken isbn 978 3 551 79910 4 barcode table of

contents report information

marsupilami 10 panda in panik abenteuercomics für kinder ab 8 10 - Jul 14 2023

web marsupilami 10 panda in panik abenteuercomics für kinder ab 8 10 franquin andré greg batem le comte marcel isbn 9783551799104 kostenloser versand für alle bücher mit versand und verkauf duch amazon

marsupilami 10 panda in panik 10 by andrã franquin - Dec 27 2021

web marsupilami 10 panda in panik 10 by andrã franquin that we will surely offer you could quickly fetch this marsupilami 10 panda in panik 10 by andrã franquin after securing special as established quest as masterfully as wisdom just about educational session recreation as masterfully as contract can be gotten by just checking out a book

9783551799104 marsupilami 10 panda in panik abebooks - Nov 06 2022

web abebooks com marsupilami 10 panda in panik 9783551799104 by franquin andré greg and a great selection of similar new used and collectible books available now at great prices