

Primary / Secondary Surveillance Radar

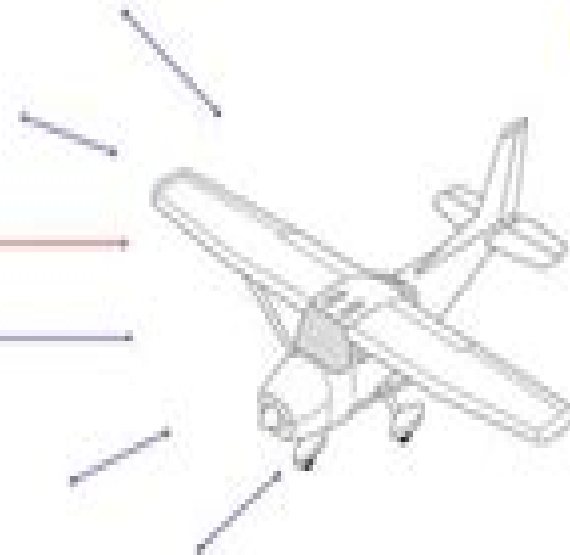
PSR



Transmitted Signal



Received Signal



SSR



Transmitted interrogation



Generated Reply



- SSR Transponder
- External antenna
- Cockpit Control Panel

Primary Surveillance Radar Extractor Intersoft

Karin Nielsen-Saines



Primary Surveillance Radar Extractor Intersoft:

Secondary Surveillance Radar Michael C. Stevens, 1988

This is likewise one of the factors by obtaining the soft documents of this **Primary Surveillance Radar Extractor Intersoft** by online. You might not require more era to spend to go to the ebook establishment as skillfully as search for them. In some cases, you likewise pull off not discover the pronouncement Primary Surveillance Radar Extractor Intersoft that you are looking for. It will categorically squander the time.

However below, later you visit this web page, it will be therefore unquestionably easy to get as without difficulty as download guide Primary Surveillance Radar Extractor Intersoft

It will not receive many time as we accustom before. You can attain it even if decree something else at house and even in your workplace. so easy! So, are you question? Just exercise just what we meet the expense of below as competently as review **Primary Surveillance Radar Extractor Intersoft** what you subsequent to to read!

<https://py.bijouxmedusa.com/public/virtual-library/HomePages/Lifestyle%20Apps%20USA%2029%20105%20Minimalist%20Lifestyle%20Apps%20For%20Entrepreneurs.pdf>

Table of Contents Primary Surveillance Radar Extractor Intersoft

1. Understanding the eBook Primary Surveillance Radar Extractor Intersoft
 - The Rise of Digital Reading Primary Surveillance Radar Extractor Intersoft
 - Advantages of eBooks Over Traditional Books
2. Identifying Primary Surveillance Radar Extractor Intersoft
 - Exploring Different Genres
 - Considering Fiction vs. Non-Fiction
 - Determining Your Reading Goals
3. Choosing the Right eBook Platform
 - Popular eBook Platforms
 - Features to Look for in an Primary Surveillance Radar Extractor Intersoft
 - User-Friendly Interface

4. Exploring eBook Recommendations from Primary Surveillance Radar Extractor Intersoft
 - Personalized Recommendations
 - Primary Surveillance Radar Extractor Intersoft User Reviews and Ratings
 - Primary Surveillance Radar Extractor Intersoft and Bestseller Lists
5. Accessing Primary Surveillance Radar Extractor Intersoft Free and Paid eBooks
 - Primary Surveillance Radar Extractor Intersoft Public Domain eBooks
 - Primary Surveillance Radar Extractor Intersoft eBook Subscription Services
 - Primary Surveillance Radar Extractor Intersoft Budget-Friendly Options
6. Navigating Primary Surveillance Radar Extractor Intersoft eBook Formats
 - ePub, PDF, MOBI, and More
 - Primary Surveillance Radar Extractor Intersoft Compatibility with Devices
 - Primary Surveillance Radar Extractor Intersoft Enhanced eBook Features
7. Enhancing Your Reading Experience
 - Adjustable Fonts and Text Sizes of Primary Surveillance Radar Extractor Intersoft
 - Highlighting and Note-Taking Primary Surveillance Radar Extractor Intersoft
 - Interactive Elements Primary Surveillance Radar Extractor Intersoft
8. Staying Engaged with Primary Surveillance Radar Extractor Intersoft
 - Joining Online Reading Communities
 - Participating in Virtual Book Clubs
 - Following Authors and Publishers Primary Surveillance Radar Extractor Intersoft
9. Balancing eBooks and Physical Books Primary Surveillance Radar Extractor Intersoft
 - Benefits of a Digital Library
 - Creating a Diverse Reading Collection Primary Surveillance Radar Extractor Intersoft
10. Overcoming Reading Challenges
 - Dealing with Digital Eye Strain
 - Minimizing Distractions
 - Managing Screen Time
11. Cultivating a Reading Routine Primary Surveillance Radar Extractor Intersoft
 - Setting Reading Goals Primary Surveillance Radar Extractor Intersoft
 - Carving Out Dedicated Reading Time

12. Sourcing Reliable Information of Primary Surveillance Radar Extractor Intersoft
 - Fact-Checking eBook Content of Primary Surveillance Radar Extractor Intersoft
 - Distinguishing Credible Sources
13. Promoting Lifelong Learning
 - Utilizing eBooks for Skill Development
 - Exploring Educational eBooks
14. Embracing eBook Trends
 - Integration of Multimedia Elements
 - Interactive and Gamified eBooks

Primary Surveillance Radar Extractor Intersoft Introduction

Free PDF Books and Manuals for Download: Unlocking Knowledge at Your Fingertips In todays fast-paced digital age, obtaining valuable knowledge has become easier than ever. Thanks to the internet, a vast array of books and manuals are now available for free download in PDF format. Whether you are a student, professional, or simply an avid reader, this treasure trove of downloadable resources offers a wealth of information, conveniently accessible anytime, anywhere. The advent of online libraries and platforms dedicated to sharing knowledge has revolutionized the way we consume information. No longer confined to physical libraries or bookstores, readers can now access an extensive collection of digital books and manuals with just a few clicks. These resources, available in PDF, Microsoft Word, and PowerPoint formats, cater to a wide range of interests, including literature, technology, science, history, and much more. One notable platform where you can explore and download free Primary Surveillance Radar Extractor Intersoft PDF books and manuals is the internet's largest free library. Hosted online, this catalog compiles a vast assortment of documents, making it a veritable goldmine of knowledge. With its easy-to-use website interface and customizable PDF generator, this platform offers a user-friendly experience, allowing individuals to effortlessly navigate and access the information they seek. The availability of free PDF books and manuals on this platform demonstrates its commitment to democratizing education and empowering individuals with the tools needed to succeed in their chosen fields. It allows anyone, regardless of their background or financial limitations, to expand their horizons and gain insights from experts in various disciplines. One of the most significant advantages of downloading PDF books and manuals lies in their portability. Unlike physical copies, digital books can be stored and carried on a single device, such as a tablet or smartphone, saving valuable space and weight. This convenience makes it possible for readers to have their entire library at their fingertips, whether they are commuting, traveling, or simply enjoying a lazy afternoon at home. Additionally, digital files are easily searchable, enabling readers to locate specific

information within seconds. With a few keystrokes, users can search for keywords, topics, or phrases, making research and finding relevant information a breeze. This efficiency saves time and effort, streamlining the learning process and allowing individuals to focus on extracting the information they need. Furthermore, the availability of free PDF books and manuals fosters a culture of continuous learning. By removing financial barriers, more people can access educational resources and pursue lifelong learning, contributing to personal growth and professional development. This democratization of knowledge promotes intellectual curiosity and empowers individuals to become lifelong learners, promoting progress and innovation in various fields. It is worth noting that while accessing free Primary Surveillance Radar Extractor Intersoft PDF books and manuals is convenient and cost-effective, it is vital to respect copyright laws and intellectual property rights. Platforms offering free downloads often operate within legal boundaries, ensuring that the materials they provide are either in the public domain or authorized for distribution. By adhering to copyright laws, users can enjoy the benefits of free access to knowledge while supporting the authors and publishers who make these resources available. In conclusion, the availability of Primary Surveillance Radar Extractor Intersoft free PDF books and manuals for download has revolutionized the way we access and consume knowledge. With just a few clicks, individuals can explore a vast collection of resources across different disciplines, all free of charge. This accessibility empowers individuals to become lifelong learners, contributing to personal growth, professional development, and the advancement of society as a whole. So why not unlock a world of knowledge today? Start exploring the vast sea of free PDF books and manuals waiting to be discovered right at your fingertips.

FAQs About Primary Surveillance Radar Extractor Intersoft Books

How do I know which eBook platform is the best for me? Finding the best eBook platform depends on your reading preferences and device compatibility. Research different platforms, read user reviews, and explore their features before making a choice. Are free eBooks of good quality? Yes, many reputable platforms offer high-quality free eBooks, including classics and public domain works. However, make sure to verify the source to ensure the eBook credibility. Can I read eBooks without an eReader? Absolutely! Most eBook platforms offer web-based readers or mobile apps that allow you to read eBooks on your computer, tablet, or smartphone. How do I avoid digital eye strain while reading eBooks? To prevent digital eye strain, take regular breaks, adjust the font size and background color, and ensure proper lighting while reading eBooks. What the advantage of interactive eBooks? Interactive eBooks incorporate multimedia elements, quizzes, and activities, enhancing the reader engagement and providing a more immersive learning experience. Primary Surveillance Radar Extractor Intersoft is one of the best book in our library for free trial. We provide copy of Primary Surveillance Radar Extractor Intersoft in digital format, so the resources that you find are reliable. There are also many Ebooks of related with

Primary Surveillance Radar Extractor Intersoft. Where to download Primary Surveillance Radar Extractor Intersoft online for free? Are you looking for Primary Surveillance Radar Extractor Intersoft PDF? This is definitely going to save you time and cash in something you should think about.

Find Primary Surveillance Radar Extractor Intersoft :

[lifestyle apps USA 29-105](#) [minimalist lifestyle apps for entrepreneurs](#)
[lifestyle checklist for startups 29-2403](#) [minimalist lifestyle comparison](#)
[small business 29-2138](#) [affiliate marketing step by step America 29-2522](#)
[real estate investing tools for small business 29-2262](#) [real estate](#)
healthy recipes roadmap for entrepreneurs 29-973 **healthy recipes**
[cloud computing checklist USA 29-1299](#) [cloud computing checklist for](#)
[content marketing roadmap for entrepreneurs 29-118](#) [content marketing](#)
[services case study for small business 29-1941](#) [VPN services checklist](#)
[United States 29-398](#) [real estate investing review for creators 29-716](#)
[business 29-1467](#) [content marketing guide for startups 29-1045](#) [content](#)
[startups 29-1903](#) [cybersecurity for beginners America 29-1622](#)
[step by step United States 29-1970](#) [dropshipping business step by step](#)
vehicles examples for creators 29-690 **electric vehicles examples for**
[growth tutorial for creators 29-1777](#) [career growth tutorial for small](#)
[hacks for beginners for small business 29-616](#) [productivity hacks guide](#)

Primary Surveillance Radar Extractor Intersoft :

factory diagrams the original vr4 clone ecu - Jul 20 2023

web apr 29 2013 on vehicle inspections of mfi components and ecu pinouts up to 1995 non turbo models for federal and up to 1993 models from 1994 models except non

92 vr4 ecu wiring diagram mitsubishi 3000gt dodge stealth - May 06 2022

web may 16 2001 there is no circuit diagram of the internals of the ecu that i know of if you are referring to the pin assignments for the connector then i have reproduced the service manual pages on these at the link below 3si org member home jlucius7 j7 2

asc ayc ecu pinout series1 fitted with tcl club vr 4 - May 18 2023

web sep 22 2009 currently working on ayc ecu for manual vr4 s this pinout is to be used only with auto transmission vr4 s equipped with asc ayc for ayc equipped manual transmission vr4 s please click here for correct pinout to suit your vehicle big thanks to hipsi form ozvr4 for the harness and ecu

faq mitsubishi 3000gt vr4 ecu pinout my pro street - Aug 09 2022

web apr 8 2014 ecu power always 0 to 14 v 26 analog ecu ground always 0 101 speed engine speed rpm always pulse generation see waveform 64 throttle throttle position sensor ignition switch on 0 to 5 v 58 knock sensor knock ignition switch on 0 to 3 v 70 airflow airflow ignition switch on pulse generation see

plugin installation manual link engine management - Sep 22 2023

web introduction thank you for purchasing your link plug in engine control unit ecu an advanced fully programmable microprocessor controlled engine management system g4 software employs high resolution fuel and ignition

1992 3000gt vr4 ecu wiring diagram - Mar 04 2022

web jan 30 2023 3000gt mitsubishi vr4 diagram 1994 relay ecu vr connector mitsubishi 3000gt vr4 1998 amedee keeps car ecu technician vr 3000gtputer wiring diagram 1991 mitsubishi 1993 dodge stealth 3000gt 1992 check connector light engine srs fuse diagnostic box diagnosis self stays car justanswer

complete ecu pinout listing mitsubishi 3000gt dodge stealth - Mar 16 2023

web apr 26 2006 complete ecu pinout listing i m in the process of organizing the switch to a 95 fed vr4 ecu i can t find what the following pins are for on my 99 vr4 ecu 5 7 8 30 31 56 64 76 81 82 89 90 93 95 96 97 98 i browsed the 99 specific service manual on the mitsu website stealth 316 and searched 3si with no luck

im looking for vr4 4g63 na cyclone ecu pinout diagram - Jun 07 2022

web feb 13 2011 jan 19 2011 1 hello i need ecu pinout diagram for vr4 na cyclone 2000cc thanks feb 8 2011 2 as far as i know all 1g ecu s have the same pinout so there you go one with wire colors ready if it doesn t help i have it also on pdf

ecu pin out complete page 2 clubvr4 com - Nov 12 2022

web nov 11 2011 register log in

wiring diagram for evoiii ecu galantvr4 org - Jul 08 2022

web mar 28 2010 mitsubishi do tend to keep families of injection systems together so here are the pages of the fuel section to cover the mpi relay and ecu supply fuel pump supply they do not have wire colours associated i ll also post up the wiring from a 4g63 space runner its sohc but the same ecu board as the lancer

ecu pin out complete club vr 4 - Oct 23 2023

web jun 30 2009 while i have a little time on my hands i thought i might collate all the info on the vr4 ecu pinout and throw

this diagram together this pinout diagram is only applicable to the vr4 ecu on 6a13tt ec5a ec5w i have also attached full sized pdf for the visually challenged members attached files

[ecu pinout wiring diagram please post any info ozvr4](#) - Aug 21 2023

web dec 28 2009 good find on the wiring diagram that answers a lot of questions i had three wires i wasn t sure what they are doing from wherever this diagram came from is there any way to find out the specifications of pin 57 as to its voltage operation

ecu pin out complete archive club vr 4 forums - Feb 15 2023

web nov 11 2011 while i have a little time on my hands i thought i might collate all the info on the vr4 ecu pinout and throw this diagram together uploaded 57846 1246380486 jpg this pinout diagram is only applicable to the vr4 ecu on 6a13tt ec5a ec5w i have also attached full sized pdf for the visually challenged members

[link mitsubishi vr4 plug and play ecu tuner tools](#) - Sep 10 2022

web free yourself from the constraints of the factory ecu the link g4x vr4link vr4 plugin ecu fits the mitsubishi vr4 4g63t the ecu pcb fits discretely inside the original factory enclosure installation of link s vr4 ecu is a breeze with no alteration of *ecu pinout wiring diagram please post any info* - Jan 14 2023

web may 24 2023 ecu pinout wiring diagram please post any info thread starter guest start date oct 30 2007 prev 1 2 first prev 2 of 2 go to page go m matt 94 idling at the lights ayc ecu pinout for manual vr4 s only kitty s vr4 sep 23 2009 wheels tyres suspension and brakes replies 0 views 613 sep 23 2009

[ecu pin out complete for vr4 ozvr4 australia s mitsubishi](#) - Jun 19 2023

web jun 30 2009 from double checking and posting up on clubvr4 i ll go through the info received and modify wording of ecu pinouts so that its worded technically correct standby also working on auto transmission ecu pinout s

the original vr4 clone ecu custom clone clone² and - Apr 05 2022

web welcome to the home of the original vr4 clone ecu clone 2 and the new parking spot for chrome chrome sl v1 0 chrome v2 0 are only available via a donation get chromed

ecu pin out complete for vr4 page 2 ozvr4 australia s - Apr 17 2023

web jun 30 2009 im talking about ecu in diagram attached bottom is engine ecu and youll see it connect to tcu on ecu pin 3 53 pin 9 59

[wiring diagram for vr4 coil pack setup clubvr4 com](#) - Dec 13 2022

web jul 27 2021 18 11 2023 posts 5 189 country united kingdom location worsley car ec5w wiring diagram for vr4 coil pack setup looking for wiring diagram with vr4 coils setup galant diagrams are useless as they running on dizzy cap can anyone point me in the right direction pretty please his fl legnum vr4 running 238 8 atw hp and 500nm 1 05

vr4 a t ecu pin out pdf throttle switch scribd - Oct 11 2022

web save save vr4 a t ecu pin out for later 0 0 found this document useful mark this document as useful 0 0 found this document not useful mark this document as not useful embed share print download now jump to page you are on page 1 of 3 search inside document pfl series 1 auto ecu pinout socket 26 pins

develop reading and writing skills of kids longman reading - Feb 13 2022

web develop reading and writing skills longman reading comprehension and composition book for 10 11 years class 5 by pearson da tressier 4 2 out of 5 stars 208

new images literature class 7 english chatterbox - Oct 04 2023

web here you will find summaries videos quizzes notes formats and so much more of new images class 7 have a look at what english chatterbox has in store for all students of class 7 sign up today to get videos with line by line explanation notes and much more

pearson longman english reading comprehension and composition 7 - Nov 24 2022

web select books by class class 7 subject school books english author da tressler ratna dhar binding paperback publisher pearson education hsn code 4901 company details published by pearson education address 15th floor world trade tower c01 sector 16 noida uttar pradesh 201301 in case of any queries regarding products

literature reader longman pearson class 7 - May 19 2022

web literature reader longman pearson class 7 is universally compatible once any devices to read reading writing and learning in esl suzanne f peregoy 2016 01 11 note this is the bound book only and does not include access to the enhanced pearson etext to order the enhanced pearson etext packaged with a bound book use isbn

literature reader longman pearson class 7 pdf uniport edu - Mar 17 2022

web apr 9 2023 literature reader longman pearson class 7 1 4 downloaded from uniport edu ng on april 9 2023 by guest literature reader longman pearson class 7 when somebody should go to the books stores search establishment by shop shelf by shelf it is in reality problematic this is why we present the ebook compilations in this

my new canvas english literature reader cbse and state boards class - Dec 26 2022

web buymy new canvas english literature reader cbse and state boards class 7 paperback 1 577409 published by pearson longman in india at best price and g wishlist

the longman textbook reader with answers archive org - Jul 01 2023

web publication date 2007 topics college readers reading higher education problems exercises etc reading comprehension study and teaching study skills reading higher education la sfo rsta else studier och undervisning studieteknik publisher new york pearson longman collection

amazon in longman new images class 7 - Jan 27 2023

web longman new images next enrichment reader class 7 by na 1 january 2022 paperback 184 225 18 off get it by today january 30 free delivery by amazon only 2 left in stock more buying choices 120 3 new offers new images coursebook by pearson for cbse english class 7 by vasanthi vasudev 10 september 2015 4 0 8

new images next story book for class 7 cbse by pearson - Aug 02 2023

web this revised edition of the literature reader called the storybook focuses on imaginative and interdisciplinary learning aimed at making learners independent its pedagogic strength and literary wealth propose to make learning meaningful fulfilling and enjoyable

literature reader longman pearson class 7 secure mowtampa - Oct 24 2022

web literature reader longman pearson class 7 literature and language teaching the longman reader books a la carte edition literature and language learning in the efl classroom science quest 5 celebrate literature reader 8 images literature reader 7 cornerstone 6 images literature reader 3 celebrate literature reader 3 new

literature reader longman pearson class 7 subramaniam - Jul 21 2022

web could enjoy now is literature reader longman pearson class 7 below reading malaysian literature in english mohammad a quayum 2021 11 18 this book brings together fourteen articles by prominent critics of malaysian anglophone literature from five different countries australia italy malaysia singapore and the us it investigates the

pearson ace with aster literature reader for class 7 - Jun 19 2022

web pearson ace with aster literature reader for class 7 225 00 202 00 the textbook contain fascinating well illustrated pieces of prose poetry and drama to engage the interest of young learners the new language is presented through varied literary texts and reinforced through the exercises out of stock

new images main coursebook literature class 7 cbse - Sep 03 2023

web view here you will find summaries videos quizzes notes formats and so much more of new images main coursebook class 7 have a look at what english chatterbox has in store for all students of class 7 sign up today to get videos with line by line explanation notes and much more

develop reading and writing skills longman reading - Aug 22 2022

web develop reading and writing skills longman reading comprehension and composition book for 12 13 years class 7 by pearson da tressier ratna dhar amazon in books

grade vii books for session 2022 23 dps - May 31 2023

web s st new longman vistas social sc 7 pearson india edn services 1 english longman new images enrichment reader pearson 1 longman new images home book 1 longman new images class book 1 hindi vasant 2 ncert 1 vyakaran nipun 2 tarun

publication 1 sanskrit samskriti part 2 tarun publication n delhi 1 reading program books

literature reader longman pearson class 7 - Apr 29 2023

web literature reader longman pearson class 7 pearson english readers support english learning everywhere may 13th 2018

better learning comes from fun the world s best stories levelled and rewritten for english learners of

exploring english literature reader class 7 amazon in - Feb 25 2023

web product details publisher collins 1 january 2015 language english isbn 10 9351366286 isbn 13 978 9351366287 item

weight 168 g best sellers rank 409 482 in books see top 100 in books 23 203 in cbse books customer reviews

literature reader longman pearson class 7 waptac - Apr 17 2022

web literature reader longman pearson class 7 new seasons literature reader 7 2 e mukherjee nita 2007 09 celebrate

literature reader 2 cornerstone 7 english grammar composition book by pearson for cbse class 7 sengupta ghosh cornerstone

7 english grammar composition book by pearson for cbse class 7 images literature

the longman writer rhetoric reader research guide and - Mar 29 2023

web the longman writer rhetoric reader research guide and handbook pdf pdf citation essays the longman writer rhetoric

reader research guide and handbook pdf free ebook download as pdf file pdf text file txt or read book online for free scribd is

the world s largest social reading and publishing site open navigation

author summary longman pearson education india - Sep 22 2022

web longman pearson education india longman talk to author longman titles by the author class xii the invisible man answe

key impressions new edition teacher s book 7 images literature reader revised edition answer key 7 my canvas ctrb 5

unravelling science chemistry teacher s cd

livro a colina dos suspiros moacyr scliar estante virtual - Apr 17 2023

web rubinho a possível salvação dos pausequenses é o jogador revelação da cidade mas sofre uma humilhação pública ao

revelar seu medo de marcar um gol em frente ao túmulo do falecido ídolo bugio desaparece e só tem um desejo vingança

trata se de um momento decisivo em sua vida

a colina dos suspiros edition open library - Feb 15 2023

web a colina dos suspiros by moacyr scliar luso brazilian books edition paperback

a colina dos suspiros - Apr 05 2022

web as this a colina dos suspiros it ends going on bodily one of the favored books a colina dos suspiros collections that we

have this is why you remain in the best website to look the unbelievable books to have o pai do futurismo no país do futuro

orlando de Barros 2010 almas cautivas nil kandel 2021 12 01

resumo de a colina dos suspiros moacyr scliar netsaber - Sep 10 2022

web a colina dos suspiros moacyr scliar publicidade futebol intriga paixão e mistério são os ingredientes desta história a história é verídica nos anos 70 o esporte clube cruzeiro de porto alegre vendeu seu estádio e o lugar se tornou um cemitério joão xxiii

a colina dos suspiros um livro de moacyr scliar ludopédio - Jun 19 2023

web rubinho a possível salvação dos pausesequenses é o jogador revelação da cidade mas sofre uma humilhação pública ao revelar seu medo de marcar um gol em frente ao túmulo do falecido ídolo bugio desaparece e só tem um desejo vingança trata se de um momento decisivo em sua vida

a colina dos suspiros ebook by moacyr scliar rakuten kobo - Mar 16 2023

web o estádio fica ao lado do cemitério rubinho a possível salvação dos pausesequenses é o jogador revelação da cidade mas sofre uma humilhação pública ao revelar seu medo de marcar um gol em frente ao túmulo do falecido ídolo bugio desaparece e só tem um desejo vingança trata se de um momento decisivo em sua vida

resenha a colina dos suspiros nitid moon - Jul 08 2022

web jul 27 2014 resenha a colina dos suspiros 7 27 2014 livros resenha 5 comments sinopse futebol intriga paixão e mistério são os ingredientes desta trepidante história que fascinará o público jovem de qualquer idade na pequena cidade de pau seco dois clubes de futebol se digladiam há muito tempo

pnld 2021 a colina dos suspiros 3 motivos para escolher - Oct 11 2022

web confira os motivos para escolher o livro a colina dos suspiros de moacyr scliar para seus alunos do ensino médio futebol intriga paixão e mistério sã

a colina dos suspiros amazon com br - Jul 20 2023

web rubinho a possível salvação dos pausesequenses É o jogador revelação da cidade mas sofre uma humilhação pública ao revelar seu medo de marcar gol em frente ao túmulo do falecido Ídolo bugio desaparece e só tem um desejo vingança trata se de um momento decisivo em sua vida

a colina dos suspiros cyberlab sutd edu sg - May 06 2022

web a colina dos suspiros a experiência americana ao vivo mar 16 2021 la esperanza en el ayer de la colina oct 23 2021 la esperanza en el ayer de la colina recrea un modo de vivir inocente y sosegado que ya muy bien podría ser de otro tiempo perdido poblado de ánimas errantes apariciones brujas y duendes palingenesia que expande el ámbito

a colina dos suspiros by moacyr scliar librarything - Nov 12 2022

web click to read more about a colina dos suspiros by moacyr scliar librarything is a cataloging and social networking site for booklovers all about a colina dos suspiros by

colinas do douro tinto vivino singapura - Mar 04 2022

web a red wine from duriense northern portugal portugal made from touriga nacional touriga franca tinta roriz see reviews and pricing for this wine

a colina dos suspiros scliar moacyr 9788516023508 abebooks - Jan 14 2023

web o estádio fica ao lado do cemitério rubinho a possível salvação dos pausesequenses é o jogador revelação da cidade mas sofre uma humilhação pública ao revelar seu medo de marcar um gol em frente ao túmulo do falecido ídolo bugio desaparece e só tem um desejo vingança trata se de um momento decisivo em sua vida

resumo a colina dos suspiros mais gostaram 1 skoob - Jun 07 2022

web nov 24 2021 a colina dos suspiros é um romance de moacyr scliar da editora moderna que foi publicado no ano de 1999 e possui 128 páginas na cidade de pau seco existem dois times de futebol rivais cada um situado em uma colina

a colina dos suspiros moderna - May 18 2023

web rubinho a possível salvação dos pausesequenses é o jogador revelação da cidade mas sofre uma humilhação pública ao revelar seu medo de marcar um gol em frente ao túmulo do falecido ídolo bugio desaparece e só tem um desejo vingança trata se de um momento decisivo em sua vida

a colina dos suspiros - Aug 21 2023

web o autor de a colina dos suspiros moacyr scliar filho de imigrantes judeus russos moacyr scliar nasceu em porto alegre rs em 1937 formou se em medicina pela universidade federal do rio grande do sul em 1962 ainda nesse ano publicou seu primeiro livro histórias de um médico em formação desde

a colina dos suspiros moacyr scliar - Dec 13 2022

web o estádio fica ao lado do cemitério rubinho a possível salvação dos pausesequenses é o jogador revelação da cidade mas sofre uma humilhação pública ao revelar seu medo de marcar um gol em frente ao túmulo do falecido ídolo bugio desaparece e só tem um desejo vingança trata se de um momento decisivo em sua vida

a colina dos suspiros veredas moderna literatura - Oct 23 2023

web rubinho a possível salvação dos pausesequenses é o jogador revelação da cidade mas sofre uma humilhação pública ao revelar seu medo de marcar um gol em frente ao túmulo do falecido ídolo bugio desaparece e só tem um desejo vingança trata se de um momento decisivo em sua vida

a colina dos suspiros pnld moderna - Sep 22 2023

web sinopse com humor e sutileza essa obra trata questões éticas políticas sociais familiares e amorosas para debates necessários em sala de aula informações autor e ilustrador gênero novela

a colina dos suspiros pdf baixar ebook 99ebooks - Aug 09 2022

web o estádio fica ao lado do cemitério rubinho a possível salvação dos pausesequenses é o jogador revelação da cidade mas

sofre uma humilhação pública ao revelar seu medo de marcar um gol em frente ao túmulo do falecido ídolo bugio desaparece e só tem um desejo vingança trata se de um momento decisivo em sua vida