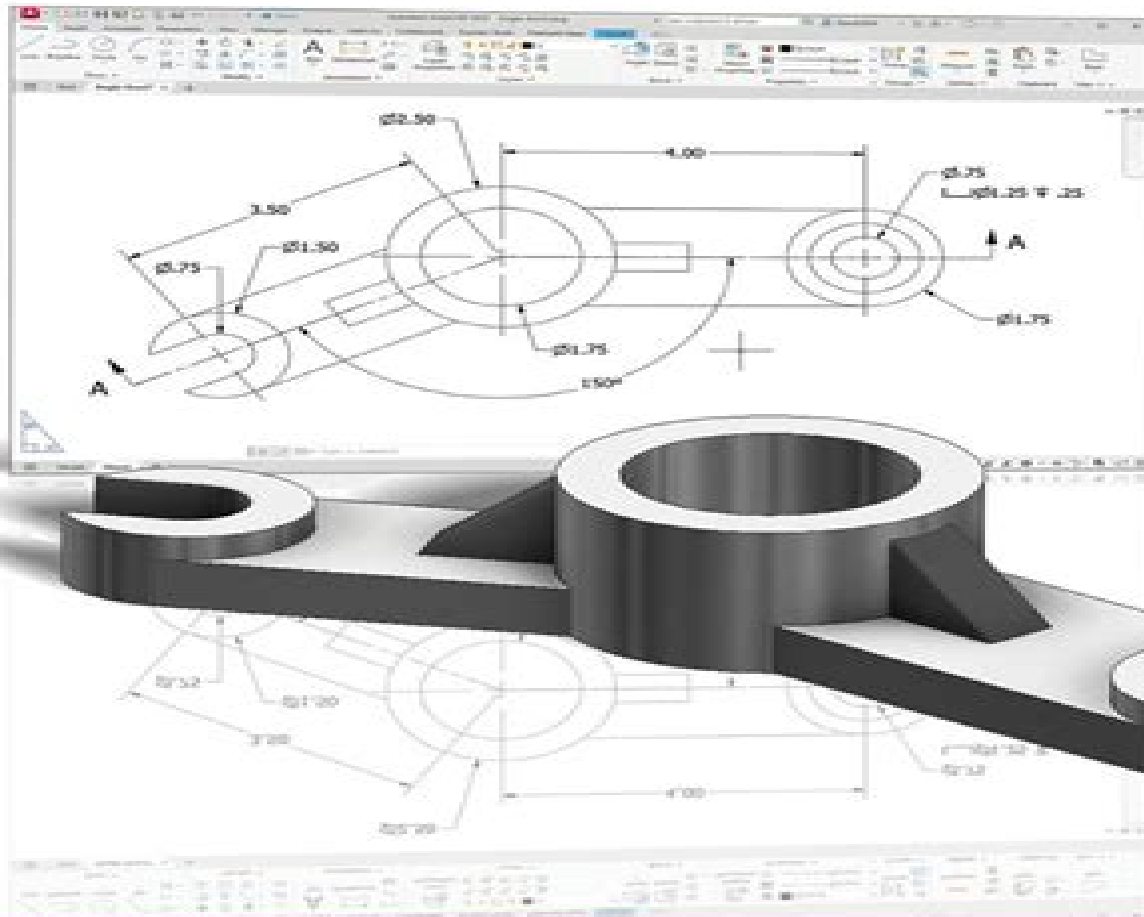


Principles and Practice

An Integrated Approach to
Engineering Graphics and AutoCAD 2025



Randy H. Shih

Principles And Practice Sdc Publications

M Planty



Principles And Practice Sdc Publications:

This book delves into Principles And Practice Sdc Publications. Principles And Practice Sdc Publications is a vital topic that needs to be grasped by everyone, ranging from students and scholars to the general public. The book will furnish comprehensive and in-depth insights into Principles And Practice Sdc Publications, encompassing both the fundamentals and more intricate discussions.

1. This book is structured into several chapters, namely:
 - Chapter 1: Introduction to Principles And Practice Sdc Publications
 - Chapter 2: Essential Elements of Principles And Practice Sdc Publications
 - Chapter 3: Principles And Practice Sdc Publications in Everyday Life
 - Chapter 4: Principles And Practice Sdc Publications in Specific Contexts
 - Chapter 5: Conclusion
 2. In chapter 1, this book will provide an overview of Principles And Practice Sdc Publications. This chapter will explore what Principles And Practice Sdc Publications is, why Principles And Practice Sdc Publications is vital, and how to effectively learn about Principles And Practice Sdc Publications.
 3. In chapter 2, this book will delve into the foundational concepts of Principles And Practice Sdc Publications. The second chapter will elucidate the essential principles that need to be understood to grasp Principles And Practice Sdc Publications in its entirety.
 4. In chapter 3, this book will examine the practical applications of Principles And Practice Sdc Publications in daily life. The third chapter will showcase real-world examples of how Principles And Practice Sdc Publications can be effectively utilized in everyday scenarios.
 5. In chapter 4, the author will scrutinize the relevance of Principles And Practice Sdc Publications in specific contexts. This chapter will explore how Principles And Practice Sdc Publications is applied in specialized fields, such as education, business, and technology.
 6. In chapter 5, the author will draw a conclusion about Principles And Practice Sdc Publications. This chapter will summarize the key points that have been discussed throughout the book.
- The book is crafted in an easy-to-understand language and is complemented by engaging illustrations. This book is highly recommended for anyone seeking to gain a comprehensive understanding of Principles And Practice Sdc Publications.

https://py.bijouxmedusa.com/About/publication/index.jsp/Spiritual_Interpretation_Of_Scripture.pdf

Table of Contents Principles And Practice Sdc Publications

1. Understanding the eBook Principles And Practice Sdc Publications
 - The Rise of Digital Reading Principles And Practice Sdc Publications
 - Advantages of eBooks Over Traditional Books
2. Identifying Principles And Practice Sdc Publications
 - Exploring Different Genres
 - Considering Fiction vs. Non-Fiction
 - Determining Your Reading Goals
3. Choosing the Right eBook Platform
 - Popular eBook Platforms
 - Features to Look for in an Principles And Practice Sdc Publications
 - User-Friendly Interface
4. Exploring eBook Recommendations from Principles And Practice Sdc Publications
 - Personalized Recommendations
 - Principles And Practice Sdc Publications User Reviews and Ratings
 - Principles And Practice Sdc Publications and Bestseller Lists
5. Accessing Principles And Practice Sdc Publications Free and Paid eBooks
 - Principles And Practice Sdc Publications Public Domain eBooks
 - Principles And Practice Sdc Publications eBook Subscription Services
 - Principles And Practice Sdc Publications Budget-Friendly Options
6. Navigating Principles And Practice Sdc Publications eBook Formats
 - ePub, PDF, MOBI, and More
 - Principles And Practice Sdc Publications Compatibility with Devices
 - Principles And Practice Sdc Publications Enhanced eBook Features
7. Enhancing Your Reading Experience
 - Adjustable Fonts and Text Sizes of Principles And Practice Sdc Publications
 - Highlighting and Note-Taking Principles And Practice Sdc Publications
 - Interactive Elements Principles And Practice Sdc Publications

8. Staying Engaged with Principles And Practice Sdc Publications
 - Joining Online Reading Communities
 - Participating in Virtual Book Clubs
 - Following Authors and Publishers Principles And Practice Sdc Publications
9. Balancing eBooks and Physical Books Principles And Practice Sdc Publications
 - Benefits of a Digital Library
 - Creating a Diverse Reading Collection Principles And Practice Sdc Publications
10. Overcoming Reading Challenges
 - Dealing with Digital Eye Strain
 - Minimizing Distractions
 - Managing Screen Time
11. Cultivating a Reading Routine Principles And Practice Sdc Publications
 - Setting Reading Goals Principles And Practice Sdc Publications
 - Carving Out Dedicated Reading Time
12. Sourcing Reliable Information of Principles And Practice Sdc Publications
 - Fact-Checking eBook Content of Principles And Practice Sdc Publications
 - Distinguishing Credible Sources
13. Promoting Lifelong Learning
 - Utilizing eBooks for Skill Development
 - Exploring Educational eBooks
14. Embracing eBook Trends
 - Integration of Multimedia Elements
 - Interactive and Gamified eBooks

Principles And Practice Sdc Publications Introduction

Principles And Practice Sdc Publications Offers over 60,000 free eBooks, including many classics that are in the public domain. Open Library: Provides access to over 1 million free eBooks, including classic literature and contemporary works. Principles And Practice Sdc Publications Offers a vast collection of books, some of which are available for free as PDF downloads, particularly older books in the public domain. Principles And Practice Sdc Publications : This website hosts a vast collection of scientific articles, books, and textbooks. While it operates in a legal gray area due to copyright issues, its a

popular resource for finding various publications. Internet Archive for Principles And Practice Sdc Publications : Has an extensive collection of digital content, including books, articles, videos, and more. It has a massive library of free downloadable books. Free-eBooks Principles And Practice Sdc Publications Offers a diverse range of free eBooks across various genres. Principles And Practice Sdc Publications Focuses mainly on educational books, textbooks, and business books. It offers free PDF downloads for educational purposes. Principles And Practice Sdc Publications Provides a large selection of free eBooks in different genres, which are available for download in various formats, including PDF. Finding specific Principles And Practice Sdc Publications, especially related to Principles And Practice Sdc Publications, might be challenging as they're often artistic creations rather than practical blueprints. However, you can explore the following steps to search for or create your own Online Searches: Look for websites, forums, or blogs dedicated to Principles And Practice Sdc Publications, Sometimes enthusiasts share their designs or concepts in PDF format. Books and Magazines Some Principles And Practice Sdc Publications books or magazines might include. Look for these in online stores or libraries. Remember that while Principles And Practice Sdc Publications, sharing copyrighted material without permission is not legal. Always ensure you're either creating your own or obtaining them from legitimate sources that allow sharing and downloading. Library Check if your local library offers eBook lending services. Many libraries have digital catalogs where you can borrow Principles And Practice Sdc Publications eBooks for free, including popular titles. Online Retailers: Websites like Amazon, Google Books, or Apple Books often sell eBooks. Sometimes, authors or publishers offer promotions or free periods for certain books. Authors Website Occasionally, authors provide excerpts or short stories for free on their websites. While this might not be the Principles And Practice Sdc Publications full book, it can give you a taste of the authors writing style. Subscription Services Platforms like Kindle Unlimited or Scribd offer subscription-based access to a wide range of Principles And Practice Sdc Publications eBooks, including some popular titles.

FAQs About Principles And Practice Sdc Publications Books

How do I know which eBook platform is the best for me? Finding the best eBook platform depends on your reading preferences and device compatibility. Research different platforms, read user reviews, and explore their features before making a choice. Are free eBooks of good quality? Yes, many reputable platforms offer high-quality free eBooks, including classics and public domain works. However, make sure to verify the source to ensure the eBook credibility. Can I read eBooks without an eReader? Absolutely! Most eBook platforms offer web-based readers or mobile apps that allow you to read eBooks on your computer, tablet, or smartphone. How do I avoid digital eye strain while reading eBooks? To prevent digital eye strain, take regular breaks, adjust the font size and background color, and ensure proper lighting while reading eBooks.

What the advantage of interactive eBooks? Interactive eBooks incorporate multimedia elements, quizzes, and activities, enhancing the reader engagement and providing a more immersive learning experience. Principles And Practice Sdc Publications is one of the best book in our library for free trial. We provide copy of Principles And Practice Sdc Publications in digital format, so the resources that you find are reliable. There are also many Ebooks of related with Principles And Practice Sdc Publications. Where to download Principles And Practice Sdc Publications online for free? Are you looking for Principles And Practice Sdc Publications PDF? This is definitely going to save you time and cash in something you should think about.

Find Principles And Practice Sdc Publications :

[spiritual interpretation of scripture](#)

[soal ulangan ipa kelas 6 sd semester 2 dan kunci jawaban](#)

[sociologia i concetti di base eenrolcollege](#)

[software metrics a rigorous approach muschy](#)

[solutions manual chemical kinetics](#)

[solutions advanced macroeconomics jacobsen](#)

software engineering bca 4th sem notes bing pdf links

spiritual leadership j oswald sanders

[solutions managerial accounting 14th edition transfer pricing](#)

sinopsis tari contoh sinopsis tari tari kuda kepang

solar carport guide specifications baja construction co

solutions manual to accompany fundamentals of ceramics mcgraw hill series in materials science and engineering

sona 2017 president duterte speech full text transcript

social research methods maggie walter 9780195520170

solution manual of internal combustion engine fundamentals

Principles And Practice Sdc Publications :

contemplating christ the gospels and the interior life - Jun 02 2022

web mar 26 2018 **contemplating christ the gospels and the interior life** kindle edition by vincent pizzuto author format

kindle edition 69 ratings see all formats and editions kindle edition 17 02 read with our free app paperback 33 62 10 used

from 14 98 11 new from 33 62 1 collectible from 107 52 the incarnation has made mystics of us all

contemplating christ the gospels and the interior life - Dec 08 2022

web in his book contemplating christ vincent pizzuto offers an exploration of the interior life for modern contemplatives that is as beautiful as it is compelling with an emphasis on the gospels and christian mystical tradition his book explores ancient themes in new and surprising ways

free contemplating christ the gospels and the interior - May 01 2022

web contemplating christ the gospels and the interior jesus in the gospels and acts feb 02 2023 engaging scholarly and theologically honest this introductory textbook will be welcomed by students and professors alike what do we really know about jesus and how do we know it jesus in the gospels and acts introducing the new

contemplating christ the gospels and the interior life - Jul 03 2022

web contemplating christ the gospels and the interior life pizzuto vincent a amazon in books books religion spirituality religious studies buy new 2 080 00 m r p 2 602 00 save 522 00 20 inclusive of all taxes free delivery thursday 4 may order within 17 hrs 26 mins details select delivery location in stock

contemplating christ the gospels and the interior life - Jul 15 2023

web mar 26 2018 in his book contemplating christ vincent pizzuto offers an exploration of the interior life for modern contemplatives that is as beautiful as it is compelling with an emphasis on the gospels and christian mystical tradition his book explores ancient themes in new and surprising ways

contemplating christ the gospels and the interior life vincent - May 13 2023

web apr 9 2018 in his book contemplating christ vincent pizzuto offers an exploration of the interior life for modern contemplatives that is as beautiful as it is compelling with an emphasis on the gospels and christian mystical tradition his book explores ancient themes in new and surprising ways

contemplating christ the gospels and the interior life christianbook com - Mar 11 2023

web in his book contemplating christ vincent pizzuto offers an exploration of the interior life for modern contemplatives that is as beautiful as it is compelling with an emphasis on the gospels and christian mystical tradition his book explores ancient themes in new and surprising ways

contemplating christ the gospels and the interior life - Sep 05 2022

web apr 1 2018 buy contemplating christ the gospels and the interior life by pizzuto vincent isbn 9780814647059 from amazon s book store everyday low prices and free delivery on eligible orders

contemplatingchristthegospelsandtheinterior 2022 dev sfcg - Dec 28 2021

web explanation of the epistles and gospels for the sundays holydays and festivals throughout the ecclesiastical year to which

are added the lives of many saints hassell street press

contemplating christ the gospels and the interior life goodreads - Jun 14 2023

web mar 26 2018 in his book contemplating christ vincent pizzuto offers an exploration of the interior life for modern contemplatives that is as beautiful as it is compelling with an emphasis on the gospels and christian mystical tradition his book explores ancient themes in new and surprising ways

[contemplating christ the gospels and the interior life](#) - Oct 06 2022

web apr 23 2018 in his book contemplating christ vincent pizzuto offers an exploration of the interior life for modern contemplatives that is as beautiful as it is compelling with an emphasis on the gospels and christian mystical tradition his book explores ancient themes in new and surprising ways

contemplating christ the gospels and the interior life pizzuto - Nov 07 2022

web apr 1 2018 in his book contemplating christ vincent pizzuto offers an exploration of the interior life for modern contemplatives that is as beautiful as it is compelling with an emphasis on the gospels and christian mystical tradition his book explores ancient themes in new and surprising ways

9780814647059 contemplating christ the gospels and the interior - Aug 04 2022

web abebooks com contemplating christ the gospels and the interior life 9780814647059 by pizzuto vincent and a great selection of similar new used and collectible books available now at great prices

contemplating christ the gospels and the interior life - Aug 16 2023

web apr 23 2018 in his book contemplating christ vincent pizzuto offers an exploration of the interior life for modern contemplatives that is as beautiful as it is compelling with an emphasis on the gospels and christian mystical tradition his book explores ancient themes in new and surprising ways

contemplating christ the gospels and the interior life google - Feb 10 2023

web in his book contemplating christ vincent pizzuto offers an exploration of the interior life for modern contemplatives that is as beautiful as it is compelling with an emphasis on the gospels and christian mystical tradition his book explores ancient themes in new and surprising ways

contemplating christ the gospels and the interior life ebook - Feb 27 2022

web contemplating christ the gospels and the interior life ebook pizzuto vincent amazon com au kindle store

contemplating christ the gospels and the interior - Jan 29 2022

web gospels and thereby affirms christian faith spirituality and tradition the three ways of the spiritual life liturgical press the incarnation has made mystics of us all what if we read the gospels as if that were true in his book contemplating christ vincent pizzuto offers an exploration of the interior life for modern contemplatives that is

[contemplating christ the gospels and the interior life](#) - Apr 12 2023

web in his book contemplating christ vincent pizzuto offers an exploration of the interior life for modern contemplatives that is as beautiful as it is compelling with an emphasis on the gospels and christian mystical tradition his book explores ancient themes in new and surprising ways

[project muse contemplating christ](#) - Jan 09 2023

web in his book contemplating christ vincent pizzuto offers an exploration of the interior life for modern contemplatives that is as beautiful as it is compelling with an emphasis on the gospels and christian mystical tradition his book explores ancient themes in new and surprising ways

contemplating christ gospels interior abebooks - Mar 31 2022

web contemplating christ the gospels and the interior life paperback by vincent a pizzuto and a great selection of related books art and collectibles available now at abebooks co uk

devil s food cake recipe southern living - Jun 01 2022

web sep 4 2019 preheat oven to 350 f coat 2 9 inch round cake pans with cooking spray dust with flour beat butter with a hand mixer on medium high speed until smooth and creamy about 1 minute add sugar beating until fluffy about 3 minutes add eggs 1 at a time beating well after each addition

devil s food cake a culinary mystery culinary mysteries - Aug 15 2023

web mar 3 2010 devil s food cake a culinary mystery culinary mysteries paperback march 3 2010 by josi s kilpack author 4 5 4 5 out of 5 stars 132 ratings

devil s food cake culinary mysteries book 3 amazon com - Jun 13 2023

web mar 4 2010 devil s food cake culinary mysteries book 3 kindle edition by josi s kilpack author format kindle edition 4 5 134 ratings book 3 of 13 culinary mysteries see all formats and editions it s been years since author thom mortenson has been back to garrison colorado

a culinary mystery series by josi s kilpack goodreads - May 12 2023

web lemon tart a culinary mystery 1 english trifle a culinary mystery 2 devil s food cake a culinary mystery 3 key lime pie a culinary myste

[devil s food cake culinary mysteries amazon de](#) - Jul 02 2022

web the mystery action is very compact one whirlwind night which keeps the plot moving very quickly despite the compact time element the story is complex and fun to follow as sadie and an ever growing cast of tag alongs unravel this delightful mystery

amazon com customer reviews devil 39 s food cake a culinary mystery - Feb 09 2023

web find helpful customer reviews and review ratings for devil s food cake a culinary mystery culinary mysteries at amazon com read honest and unbiased product reviews from our users

devil s food cake a culinary mystery culinary mysteries - Jan 08 2023

web abebooks com devil s food cake a culinary mystery culinary mysteries a customer service satisfaction guaranteed book is in new condition

devil s food cake a culinary mystery culinary mysteries - Nov 06 2022

web abebooks com devil s food cake a culinary mystery culinary mysteries new skip to main content abebooks com search sign in my account basket help menu search my account my devil s food cake a culinary mystery culinary mysteries josi kilpack 2 525 ratings by goodreads isbn 10 1606412329 isbn 13

best devil s food cake recipe how to make devil s food cake delish - Sep 04 2022

web jul 17 2020 spray pans with cooking spray around the bottom and rim for good measure step 2 in a large bowl whisk together the flour sugar cocoa powder baking soda baking powder and salt step 3 add in

devil s food cake culinary murder mysteries series 3 ebook - Dec 07 2022

web jan 1 2010 devil s food cake culinary murder mysteries series 3 by josi s kilpack ebook 13 49 17 99 save 25 instant purchase available on compatible nook devices and the free nook apps want a nook explore now get free ebook sample buy as gift overview it s been years since author thom mortenson has been back to garrison

devil s food cake a culinary mystery culinary mysteries - Mar 10 2023

web devil s food cake a culinary mystery culinary mysteries by josi s kilpack isbn 10 1606412329 isbn 13 9781606412329 deseret book 2010 softcover

devil s food cake a culinary mystery 3 goodreads - Jul 14 2023

web mar 3 2010 devil s food cake by josi s kilpack is the 3rd book in a culinary mystery series sadie hoffmiller is attending a garrison library fundraiser benefit to hear local author thom mortenson when his manager is shot on stage this is a reread for me having read the entire series previously and i found that the books get better as the series progresses

devil s food cake recipe food network kitchen food network - Jan 28 2022

web to make the cake set a rack in the middle of the oven and preheat to 350 degrees f lightly butter two 9 inch round cake pans and line the bottoms with a circle of parchment or wax paper in a

devil s food cake a culinary mystery shadow mountain publishing - Aug 03 2022

web it s been years since author thom mortenson has been back to garrison colorado as part of the committee who invited the bestselling writer to speak at the library fundraising benefit sadie hoffmiller wants everything to be perfect right down to the homemade devil s food cake she baked herself certainly murder was not on the menu

devil s food cake a culinary mystery book 3 amazon com - Oct 05 2022

web devil s food cake a culinary mystery book 3 audible audiobook unabridged josi s kilpack author diane dabczynski narrator shadow mountain publisher 0 more 4 5 4 5 out of 5 stars 134 ratings

devil s food cake culinary murder mysteries series 3 cozy - Feb 26 2022

web user account menu log in view your books read contact us user account menu

devil s food cake a culinary mystery culinary mysteries - Mar 30 2022

web amazon com devil s food cake a culinary mystery culinary mysteries 9781606412329 josi s kilpack □□□□

devil s food cake a culinary mystery culinary mysteries by - Apr 11 2023

web buy devil s food cake a culinary mystery culinary mysteries by josi s kilpack online on amazon ae at best prices fast and free shipping free returns cash on delivery available on eligible purchase

devils food cake a culinary mystery culinary mysteries - Dec 27 2021

web devils food cake a culinary mystery culinary mysteries the food timeline history notes charlotte to millet april 27th 2018 charlotte charlotte russe amp charley roosh according to the food historians charlottes were invented in england the last part of the 18th century all just for fun quizzes on sporcle

what is devil s food cake allrecipes - Apr 30 2022

web feb 15 2022 some people say the rich chocolaty flavors make devil s food cake the antithesis of angel food cake since angel food cake is light and spongy so they gave it the opposite name truthfully there is no right answer for why it s called devil s food cake so you can just pick your favorite theory

pmp test questions pmp sample test questions answers - Apr 03 2022

dec 22 2022 pmp test questions 6 answer option d unanimity is achieved only when all members of the board agree on one course of action three out of the five approved answer option a four out of the five approved answer option b and the project sponsor approved answer option c unanimity was not achieved

pmp exam prep questions answers and explanations - Aug 07 2022

may 20 2013 in this book 1000 detailed pmp exam practice questions including 18 condensed pmp mock exams that can be completed in one hour 11 targeted pmbok knowledge area tests and detailed solution sets for all pmp questions which include clear explanations and wording pmbok knowledge area and page references and reasoning

top 50 pmp exam questions and answers for 2023 - Jun 17 2023

jul 31 2023 the exam consists of 200 multiple choice questions that outline the five process groups initiation planning executing monitoring and controlling and closing and nine knowledge areas integration scope time cost quality human resource communication risk and procurement prince2 certification exam made easy to crack

free pmp questions and answers are you ready for pmp - May 04 2022

dec 26 2022 free pmp questions and answers 40 questions in order to help your project management education we will go through 40 free pmp questions answers and detailed explanations in this post we will provide the rationales for each pmp question and answer

free pmp exam questions based on pmbok 5th edition - Mar 14 2023

pmp certification exam candidates can find a list of free pmp exam questions and answers based on the pmi s pmbok 5th edition to test their level of expertise and knowledge before they take the pmp project management professional exam

list of free quality mock pmp exam questions for 2021 - Oct 09 2022

jan 1 2021 all these practice questions simulators come with answers and detailed explanations for each mock exam question it is highly advisable for aspirants to read all the answer explanations for every mock exam questions no matter you get the answer right or wrong in order to discover any knowledge gaps in your exam study

pmp examination practice questions for the the pmbok - Dec 11 2022

jun 30 2013 amazon com pmp examination practice questions for the the pmbok guide 5th edition 9781490578064 whitaker sean books books business money management leadership buy new 8 80 list price 14 99 save 6 19 41 get fast free shipping with amazon prime free returns free delivery saturday june 24 on orders

list of 20 000 free pmp exam questions answers for 2023 - Jun 05 2022

no of questions 918 note pmp questions and answers no registration required provider certchamp link certchamp com pmp sample questions jsp no of questions 200 note pmp questions and answers with explanations no registration required

200 free sample pmp questions based on pmbok 5th edition - Aug 19 2023

apr 9 2015 benefits that following 200 free sample pmp questions based on pmbok 5th edition from the certchamp provider offer you are updated version of pmbok covered hard and realistic multiple choice questions based on the actual test pattern and followed by

pmp practice exam free pmp practice questions - Sep 08 2022

at pmp practice exam we offer free practice tests for project management professionals all of our online tests feature instant scoring along with detailed explanations the questions are fully updated for new version of the test that was launched in january of 2021

pmp formulas and calculations advanced guide with - Feb 01 2022

for the pmp exam you must know how to correctly answer questions with formulas about earned value communications procurement probability network diagrams project selection depreciation and some mathematical basics you also have to know a lot of acronyms

5500 free pmp exam questions the best collection pm - Oct 29 2021

nov 15 2017 please also note that most of these questions are based on pmbok fifth edition or earlier if you are preparing for the exam based on pmbok sixth edition some questions may not be relevant to you so attend the questions and

free pmp exam questions pmbok guide 5th edition mypm - Sep 20 2023

free pmp exam questions based on pmbok guide 5th edition no login or registration required test your knowledge correct answers are presented at the end

pmp exam cram project management professional 5 e - Apr 15 2023

pmp exam cram fifth edition cram quiz 145 cram quiz answers 145 human resource management 146 key human resource principles 147 the staffing

[pmp 5th edition definition flashcards quizlet](#) - Jul 06 2022

start studying pmp 5th edition definition learn vocabulary terms and more with flashcards games and other study tools a facilitator uses a questionnaire to solicit ideas about the important project points related to the subject it is a tool to define scope that generally means asking questions about a product and forming

pmp sample questions pmbok guide 5th edition mypm - May 16 2023

pmp sample questions based on pmbok guide 5th edition 100 questions free no login required displays your score your answers and the correct answers

[top 60 pmp exam questions and answers for 2023](#) - Nov 10 2022

sep 5 2023 ace your pmp exam with confidence using our comprehensive pmp sample exam questions and answers for 2023 discover pmp exam question types and tips to choose the correct answer

free pmp practice exam questions 120 sample test questions - Jul 18 2023

test your exam readiness with these 120 free pmp questions you have 1 2 mins per question select the best answer per question mark questions for review use hint if you are stuck unanswered questions count as incorrect perfect for pmp practice exam preparation click the red button at the bottom of the page to end the exam and see your

[pmp 5th edition questions and answers 2023](#) - Sep 27 2021

the overwhelming pmp 5th edition questions and answers 3 3 number of pmp candidates who have used the mock tests confirm that these tests compare well to the actual exam

pmp practice exam 1 free and automated mypm - Jan 12 2023

this 50 question pmp practice exam is based exclusively on pmbok guide 5th edition it was prepared by a pmp certified project manager at mypm if you are timing yourself allow one hour every question must be answered more than one answer may be correct select the best answer for every question

top 50 pmp exam questions and answers for 2023 edureka - Dec 31 2021

oct 3 2023 pmp exam questions 2023 for better preparation this blog on pmp exam questions and answers is a small step to help you achieve your goal so without any further ado let s quickly start with our top 50 pmp questions and answers you can even check out the details of itil with the itil training

the 50 pmp exam questions everyone gets wrong pm - Mar 02 2022

order pdf download 19 this step by step guide to the trickiest concepts on the pmp exam shows you the 50 pmp exam questions everyone gets wrong is a book by cornelius fichtner pmp explaining the most difficult concepts on the pmp exam read more

pmp examination practice questions 400 practice - Feb 13 2023

study for the project management professional pmp examination with this essential aid in your study program it contains over 400 realistic multiple choice practice questions answers and explanations pmp examination practice questions is organized into two useful parts

top 20 pmp sample question and answer for 2023 staragile - Nov 29 2021

feb 4 2023 in this article you can find pmp exam sample question and answers also explained about pmp exam and pmp exam pattern explanation closing is done as part of control procurement and close procurement process is no longer exists in 6th edition of pmbok 2 rfi rfp rfq are called 1 procurements documents 2 bid documents 3 agreements