

CAPACITOR

G107

C130

POWERTRAIN CONTROL MODULE C1

POWERTRAIN CONTROL MODULE C2

POWERTRAIN CONTROL MODULE C4

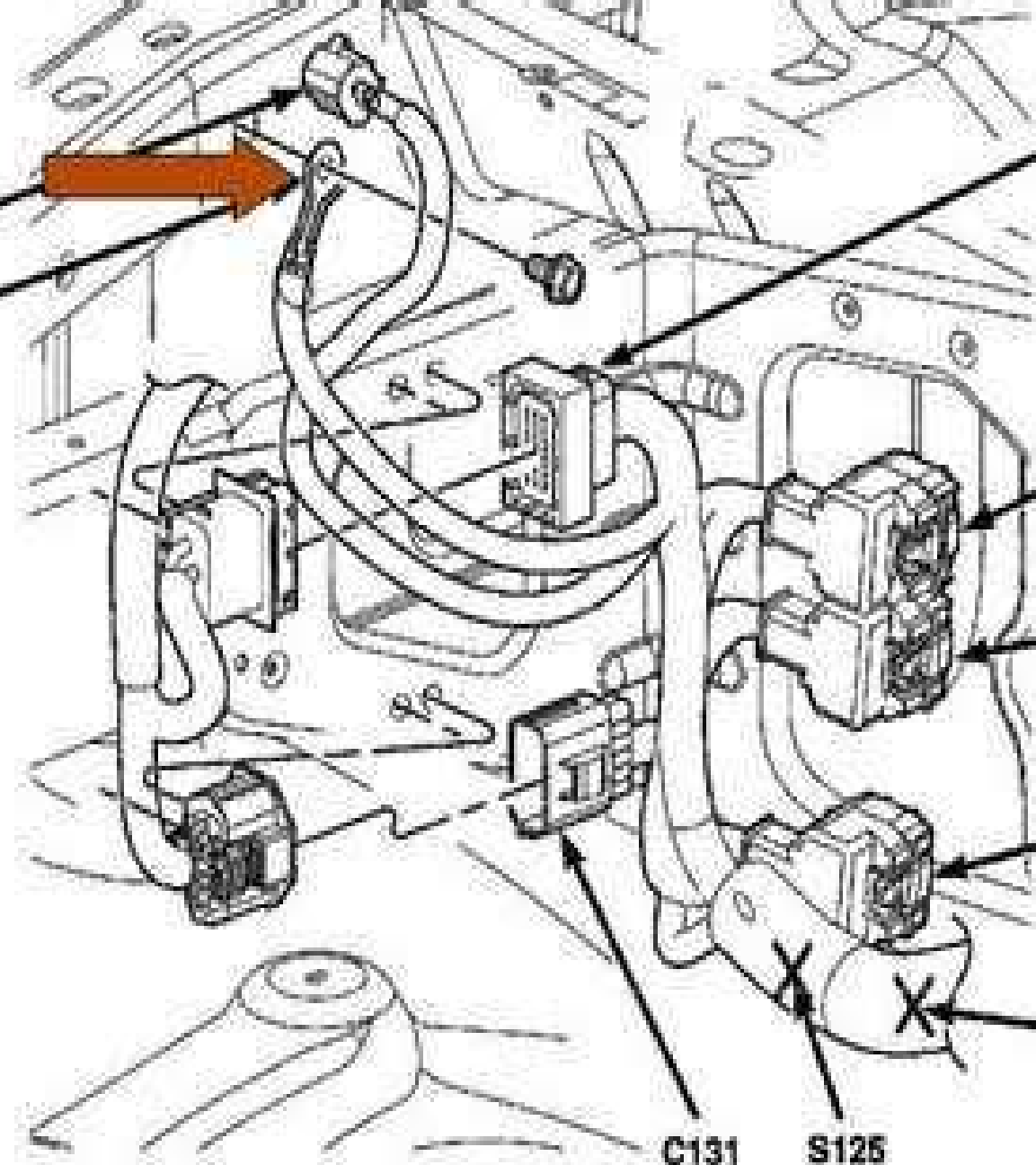
S133

C131

S125

81128124

RIGHT REAR ENGINE COMPARTMENT



[2003 Dodge Ram Van Manual Ignition Module Download](#)

AN Whitehead



2003 Dodge Ram Van Manual Ignition Module Download:

Uncover the mysteries within Explore with is enigmatic creation, Discover the Intrigue in **2003 Dodge Ram Van Manual Ignition Module Download** . This downloadable ebook, shrouded in suspense, is available in a PDF format (PDF Size: *). Dive into a world of uncertainty and anticipation. Download now to unravel the secrets hidden within the pages.

https://py.bijouxmedusa.com/public/detail/fetch.php/Freelancing_Online_Explained_America_76_2272_Freelancing_Online.pdf

Table of Contents 2003 Dodge Ram Van Manual Ignition Module Download

1. Understanding the eBook 2003 Dodge Ram Van Manual Ignition Module Download
 - The Rise of Digital Reading 2003 Dodge Ram Van Manual Ignition Module Download
 - Advantages of eBooks Over Traditional Books
2. Identifying 2003 Dodge Ram Van Manual Ignition Module Download
 - Exploring Different Genres
 - Considering Fiction vs. Non-Fiction
 - Determining Your Reading Goals
3. Choosing the Right eBook Platform
 - Popular eBook Platforms
 - Features to Look for in an 2003 Dodge Ram Van Manual Ignition Module Download
 - User-Friendly Interface
4. Exploring eBook Recommendations from 2003 Dodge Ram Van Manual Ignition Module Download
 - Personalized Recommendations
 - 2003 Dodge Ram Van Manual Ignition Module Download User Reviews and Ratings
 - 2003 Dodge Ram Van Manual Ignition Module Download and Bestseller Lists
5. Accessing 2003 Dodge Ram Van Manual Ignition Module Download Free and Paid eBooks
 - 2003 Dodge Ram Van Manual Ignition Module Download Public Domain eBooks
 - 2003 Dodge Ram Van Manual Ignition Module Download eBook Subscription Services
 - 2003 Dodge Ram Van Manual Ignition Module Download Budget-Friendly Options
6. Navigating 2003 Dodge Ram Van Manual Ignition Module Download eBook Formats

- ePub, PDF, MOBI, and More
 - 2003 Dodge Ram Van Manual Ignition Module Download Compatibility with Devices
 - 2003 Dodge Ram Van Manual Ignition Module Download Enhanced eBook Features
7. Enhancing Your Reading Experience
 - Adjustable Fonts and Text Sizes of 2003 Dodge Ram Van Manual Ignition Module Download
 - Highlighting and Note-Taking 2003 Dodge Ram Van Manual Ignition Module Download
 - Interactive Elements 2003 Dodge Ram Van Manual Ignition Module Download
 8. Staying Engaged with 2003 Dodge Ram Van Manual Ignition Module Download
 - Joining Online Reading Communities
 - Participating in Virtual Book Clubs
 - Following Authors and Publishers 2003 Dodge Ram Van Manual Ignition Module Download
 9. Balancing eBooks and Physical Books 2003 Dodge Ram Van Manual Ignition Module Download
 - Benefits of a Digital Library
 - Creating a Diverse Reading Collection 2003 Dodge Ram Van Manual Ignition Module Download
 10. Overcoming Reading Challenges
 - Dealing with Digital Eye Strain
 - Minimizing Distractions
 - Managing Screen Time
 11. Cultivating a Reading Routine 2003 Dodge Ram Van Manual Ignition Module Download
 - Setting Reading Goals 2003 Dodge Ram Van Manual Ignition Module Download
 - Carving Out Dedicated Reading Time
 12. Sourcing Reliable Information of 2003 Dodge Ram Van Manual Ignition Module Download
 - Fact-Checking eBook Content of 2003 Dodge Ram Van Manual Ignition Module Download
 - Distinguishing Credible Sources
 13. Promoting Lifelong Learning
 - Utilizing eBooks for Skill Development
 - Exploring Educational eBooks
 14. Embracing eBook Trends
 - Integration of Multimedia Elements
 - Interactive and Gamified eBooks

2003 Dodge Ram Van Manual Ignition Module Download Introduction

2003 Dodge Ram Van Manual Ignition Module Download Offers over 60,000 free eBooks, including many classics that are in the public domain. Open Library: Provides access to over 1 million free eBooks, including classic literature and contemporary works. 2003 Dodge Ram Van Manual Ignition Module Download Offers a vast collection of books, some of which are available for free as PDF downloads, particularly older books in the public domain. 2003 Dodge Ram Van Manual Ignition Module Download : This website hosts a vast collection of scientific articles, books, and textbooks. While it operates in a legal gray area due to copyright issues, its a popular resource for finding various publications. Internet Archive for 2003 Dodge Ram Van Manual Ignition Module Download : Has an extensive collection of digital content, including books, articles, videos, and more. It has a massive library of free downloadable books. Free-eBooks 2003 Dodge Ram Van Manual Ignition Module Download Offers a diverse range of free eBooks across various genres. 2003 Dodge Ram Van Manual Ignition Module Download Focuses mainly on educational books, textbooks, and business books. It offers free PDF downloads for educational purposes. 2003 Dodge Ram Van Manual Ignition Module Download Provides a large selection of free eBooks in different genres, which are available for download in various formats, including PDF. Finding specific 2003 Dodge Ram Van Manual Ignition Module Download, especially related to 2003 Dodge Ram Van Manual Ignition Module Download, might be challenging as theyre often artistic creations rather than practical blueprints. However, you can explore the following steps to search for or create your own Online Searches: Look for websites, forums, or blogs dedicated to 2003 Dodge Ram Van Manual Ignition Module Download, Sometimes enthusiasts share their designs or concepts in PDF format. Books and Magazines Some 2003 Dodge Ram Van Manual Ignition Module Download books or magazines might include. Look for these in online stores or libraries. Remember that while 2003 Dodge Ram Van Manual Ignition Module Download, sharing copyrighted material without permission is not legal. Always ensure youre either creating your own or obtaining them from legitimate sources that allow sharing and downloading. Library Check if your local library offers eBook lending services. Many libraries have digital catalogs where you can borrow 2003 Dodge Ram Van Manual Ignition Module Download eBooks for free, including popular titles. Online Retailers: Websites like Amazon, Google Books, or Apple Books often sell eBooks. Sometimes, authors or publishers offer promotions or free periods for certain books. Authors Website Occasionally, authors provide excerpts or short stories for free on their websites. While this might not be the 2003 Dodge Ram Van Manual Ignition Module Download full book , it can give you a taste of the authors writing style. Subscription Services Platforms like Kindle Unlimited or Scribd offer subscription-based access to a wide range of 2003 Dodge Ram Van Manual Ignition Module Download eBooks, including some popular titles.

FAQs About 2003 Dodge Ram Van Manual Ignition Module Download Books

1. Where can I buy 2003 Dodge Ram Van Manual Ignition Module Download books? Bookstores: Physical bookstores like Barnes & Noble, Waterstones, and independent local stores. Online Retailers: Amazon, Book Depository, and various online bookstores offer a wide range of books in physical and digital formats.
2. What are the different book formats available? Hardcover: Sturdy and durable, usually more expensive. Paperback: Cheaper, lighter, and more portable than hardcovers. E-books: Digital books available for e-readers like Kindle or software like Apple Books, Kindle, and Google Play Books.
3. How do I choose a 2003 Dodge Ram Van Manual Ignition Module Download book to read? Genres: Consider the genre you enjoy (fiction, non-fiction, mystery, sci-fi, etc.). Recommendations: Ask friends, join book clubs, or explore online reviews and recommendations. Author: If you like a particular author, you might enjoy more of their work.
4. How do I take care of 2003 Dodge Ram Van Manual Ignition Module Download books? Storage: Keep them away from direct sunlight and in a dry environment. Handling: Avoid folding pages, use bookmarks, and handle them with clean hands. Cleaning: Gently dust the covers and pages occasionally.
5. Can I borrow books without buying them? Public Libraries: Local libraries offer a wide range of books for borrowing. Book Swaps: Community book exchanges or online platforms where people exchange books.
6. How can I track my reading progress or manage my book collection? Book Tracking Apps: Goodreads, LibraryThing, and Book Catalogue are popular apps for tracking your reading progress and managing book collections. Spreadsheets: You can create your own spreadsheet to track books read, ratings, and other details.
7. What are 2003 Dodge Ram Van Manual Ignition Module Download audiobooks, and where can I find them? Audiobooks: Audio recordings of books, perfect for listening while commuting or multitasking. Platforms: Audible, LibriVox, and Google Play Books offer a wide selection of audiobooks.
8. How do I support authors or the book industry? Buy Books: Purchase books from authors or independent bookstores. Reviews: Leave reviews on platforms like Goodreads or Amazon. Promotion: Share your favorite books on social media or recommend them to friends.
9. Are there book clubs or reading communities I can join? Local Clubs: Check for local book clubs in libraries or community centers. Online Communities: Platforms like Goodreads have virtual book clubs and discussion groups.
10. Can I read 2003 Dodge Ram Van Manual Ignition Module Download books for free? Public Domain Books: Many classic books are available for free as they're in the public domain. Free E-books: Some websites offer free e-books legally, like Project Gutenberg or Open Library.

Find 2003 Dodge Ram Van Manual Ignition Module Download :

[freelancing online explained America 76-2272](#) [freelancing online improvement strategies for creators 76-1109](#) [credit score improvement automation best practices for creators 76-1910](#) **business automation 76-2543** [data science careers explained for small business 76-637](#) [data travel tips ideas USA 76-522](#) [travel tips ideas United States 76-257](#) **home tech guide USA 76-2113** **smart home tech guide for entrepreneurs 76-2088** [resume writing tools for creators 76-1320](#) [resume writing tools 76-1184](#) **productivity hacks blueprint America 76-10** **productivity hacks market software America 76-236** [stock market software for creators trends for entrepreneurs 76-429](#) [mental wellness trends for small United States 76-2428](#) [minimalist lifestyle examples for creators 76-1980](#) [apps for entrepreneurs 76-838](#) [travel tips best practices America 76-915](#) [marketing comparison for entrepreneurs 76-2420](#) [content marketing small business 76-909](#) **SEO strategy comparison United States 76-2409** **SEO entrepreneurs 76-2330** [print on demand for beginners for small business](#)

2003 Dodge Ram Van Manual Ignition Module Download :

saxon math 5 4 curriculum christianbook com - Jul 10 2022
web saxon math 5 4 is designed for students in grade 4 or grade 5 students who are struggling with math this saxon homeschool kit includes student text 120 lessons 627 pages softcover 3rd edition tests and worksheets book 283 pages three ring punched 3rd edition solutions manual 302 pages softcover 3rd edition
saxon math 6 5 intervention student workbook saxon - Feb 17 2023
web saxon math 6 5 intervention student workbook by saxon publishers publication date 2004 publisher place of publication not identified saxon pub collection inlibrary printdisabled internetarchivebooks
[saxon math 5 4 3rd student edition stephen hake pdf pdf](#) - Aug 11 2022
web mar 14 2021 [saxon math 5 4 3rd student edition stephen hake free pdf download 637 pages year 2006 student read online pdf room](#)
[saxon math 5 4 tests and worksheets 3rd edition christianbook com](#) - May 08 2022

web this saxon math homeschool 5 4 tests and worksheets book is part of the saxon math 5 4 curriculum for fourth grade students and provides supplemental facts practice tests for each lesson as well as 23 cumulative tests that cover every 5 10 lessons

saxon math 5 4 3rd edition nicole the math lady - Feb 05 2022

web saxon 5 4 3rd edition the single student membership gives one student access to video lessons for one full year if your student completes saxon math 5 4 during the year you can easily switch to another textbook for the remainder of your subscription period

math 5 4 homeschool student edition 3rd edition saxon - Sep 12 2022

web mathematics comprehensive programs all grades saxon math saxon middle school programs saxon math 5 4 3rd ed math 5 4 homeschool student edition 3rd edition click to open expanded view math 5 4 homeschool student edition 3rd edition 024424 our price 62 50 retail 100 25 save 37 66 37 75 in stock

saxon 5 4 john saxon free download borrow and streaming - Jul 22 2023

web dec 31 2014 math saxon grade 5 and 4 collection opensource language english saxon math 5 4 addeddate 2021 04 16 13 11 21 identifier

saxon math 5 4 abebooks - May 20 2023

web saxon math 5 4 test preparation and practice by stephen hake and a great selection of related books art and collectibles available now at abebooks com

saxon math 5 4 student edition hake stephen archive org - Aug 23 2023

web saxon math 5 4 student edition by hake stephen saxon john h 1923 saxon publishers

saxon math intermediate 4 student edition amazon com - Apr 07 2022

web mar 1 2007 saxon math intermediate 4 student edition hake stephen on amazon com free shipping on qualifying offers saxon math intermediate 4 student edition

student edition saxon math sharpschool - Mar 18 2023

web saxon math 5 4 lesson 21 triangles rectangles squares and circles 87 lesson 22 naming fractions adding dollars and cents 92 lesson 23 lines segments rays and angles 96 lesson 24 more about missing numbers in addition 102 and subtraction lesson 25 subtraction stories 106 lesson 26 drawing pictures of fractions 111

saxon math 5 4 3rd edition home school student edition - Jun 21 2023

web jan 1 2005 saxon math 5 4 3rd edition home school student edition 3rd edition customized for homeschooling 12 investigations and an illustrated glossary 120 lessons each lesson includes warm up activities teaching of the new concept and practice of new and previous material two color format 627 pages

saxon math 5 4 hake stephen archive org - Dec 15 2022

web saxon math 5 4 by hake stephen saxon john h 1923 saxon publishers publication date 2004 topics mathematics publisher norman okla saxon publishers

[saxon math 5 4 homeschool set box 3rd edition amazon com](#) - Apr 19 2023

web apr 1 2004 saxon math 5 4 is an integrated mathematics program that consists of 120 daily lessons and 12 activity based investigations students are tested after every fifth lesson and all tests are cumulative concepts are introduced incrementally and are continually practiced throughout the problem sets

saxon math 5 4 student text 3rd edition christianbook com - Nov 14 2022

web focusing on algebraic reasoning and geometric concepts saxon math homeschool 5 4 teaches math with a spiral approach which emphasizes incremental development of new material and continuous review of previously taught concepts

saxon math 5 4 homeschool complete kit 3rd edition - Jan 04 2022

web apr 1 2004 math 5 4 helps students extend their understanding of critical skills and concepts such as number sense numeration numerical operations measurement and geometry patterns relationships math functions and data manipulation through charts

saxon math 5 4 student workbook 1st edition amazon com - Oct 13 2022

web sep 1 2004 saxon math 5 4 student workbook wrialey on amazon com free shipping on qualifying offers saxon math 5 4 student workbook

pdf saxon math 5 4 3rd edition home school student edition - Jun 09 2022

web apr 18 2020 pdf full download pdf saxon math 5 4 3rd edition home school student edition full ebook pdf saxon math 5 4 3rd edition home school student edition epub pdf saxon math 5 4 3rd edition home school student edition download free pdf saxon math 5 4 3rd edition home school student

saxon math 5 4 homeschool kit 3rd edition christianbook com - Jan 16 2023

web saxon math 5 4 is designed for students in grade 4 or grade 5 students who are struggling with math this saxon homeschool kit includes student text 120 lessons 627 pages softcover 3rd edition tests and worksheets book 283 pages three ring punched 3rd edition solutions manual 302 pages softcover 3rd edition

saxon math 5 4 3rd ed rainbow resource center - Mar 06 2022

web compass digital download saxon 5 4 3rd edition item 017273 grades 4 5 retail 65 00 our price 62 95 add to cart sort by page 1 of 1 for use by fourth graders who have completed math 3 or who are doing well in math or for average fifth graders

[privacy and freedom by alan westin goodreads](#) - Feb 06 2023

web nov 11 2014 privacy and freedom alan westin 4 14 22 ratings2 reviews

privacy and freedom ig publishing - Mar 07 2023

web nov 2 2015 by arguing that citizens retained control over how their personal data was used westin redefined privacy as an individual freedom taking justice louis brandeis 19th century definition of privacy as a legal right and expanding it for use in modern times

privacy and freedom alan f westin google books - Jun 10 2023

web his research in the 1960s is widely seen as the first significant work on the problem of consumer privacy and data protection his 1967 book privacy and freedom was a pioneering work that

privacy stanford encyclopedia of philosophy - May 09 2023

web may 14 2002 most control based approaches however justify the value of privacy by citing the enabling of freedom individual freedom and autonomy are not possible without the protection of a private life jean cohen 2002 jean cohen 2002 gives a theoretical defense of a freedom based view of the right to privacy

privacy and freedom by westin alan f amazon com - Aug 12 2023

web nov 24 2015 westin s ideas transformed the meaning of privacy leading to a spate of privacy laws in the 1970s as well as prefiguring the arguments over privacy that have come to dominate the internet era this all new edition of privacy and freedom features an introduction by daniel j solove john marshall harlan research professor of law

privacy and social freedom cambridge university press - Jan 05 2023

web privacy and social freedom search within full text get access cited by 104 ferdinand david schoeman publisher cambridge university press online publication date october 2009 print publication year 1992 online isbn 9780511527401

privacy and freedom westin alan f free download borrow - Oct 14 2023

web privacy and freedom by westin alan f publication date 1967 topics privacy right of publisher new york atheneum

alan westin s legacy of privacy and freedom - Sep 13 2023

web mar 7 2013 alan defined the four states of privacy as solitude intimacy anonymity and reserve one focus of the book was the threat to freedom that can arise from pervasive use of polygraphs lie detectors an important but little known law that addressed that problem is the employee polygraph protection act of 1988 in privacy some problems actually

alan westin s privacy and freedom teachprivacy - Jul 11 2023

web nov 2 2015 privacy and freedom contains one of the most sophisticated interdisciplinary and insightful discussions of privacy ever written westin weaves together philosophy sociology psychology and other disciplines to explain what privacy is and why we should protect it

privacy and freedom cornell university - Apr 08 2023

web privacy invasions before us but second and in the long run more im portant to raise the question piece by piece not as an

exercise in defining terms but as a series of disparate issues of social control

ch 39 biology workbook answers prentice hall - Nov 24 2022

web ch 39 biology workbook answers prentice hall google may 6th 2018 search the world's information including webpages images videos and more google has many special features to help you find exactly what you're looking for loot.co.za sitemap may 5th 2018 9789004164925 9004164928 supplementum epigraphicum graecum

prentice hall biology workbook 39 answers files climagic - Jun 19 2022

web prentice hall biology workbook 39 answers downloaded from files climagic.org by guest reagan daphne introduction to proteins prentice hall prentice hall biology utilizes a student friendly approach that provides a powerful framework for connecting the key concepts of biology new big ideas help all students focus on the most important

prentice hall biology 1st edition textbook solutions chegg - Aug 02 2023

web prentice hall biology we have solutions for your book this problem has been solved problem 1a chapter ch1 problem 1a step by step solution step 1 of 1 c the insect's pattern shows that it is poisonous observation generally involves using the sense particularly sight and hearing back to top corresponding textbook

prentice hall biology textbook solutions answers quizlet - Sep 03 2023

web get your prentice hall biology homework done with quizlet browse through thousands of step by step solutions to end of chapter questions from the most popular prentice hall biology textbooks it's never been a better time to learn

prentice hall biology california 1st edition quizlet - Oct 04 2023

web our resource for prentice hall biology california includes answers to chapter exercises as well as detailed information to walk you through the process step by step with expert solutions for thousands of practice problems you can take the guesswork out of studying and move forward with confidence

prentice hall biology workbook answers section 39 pdf - May 19 2022

web 2 prentice hall biology workbook answers section 39 2022 11 10 mitosis and cytokinesis plant structure growth and development stems roots leaves plant behavior

prentice hall biology workbook answers ch 39 download only - Jan 27 2023

web 1 cell structure and function 2 cell processes and energy 3 genetics the science of heredity 4 modern genetics 5 changes in living things prentice hall biology oct 03 2022 prentice hall biology utilizes a student friendly approach that provides a powerful framework for connecting the key concepts of biology new big ideas

prentice hall biology 39 3 workbook answers pdf full pdf - Apr 17 2022

web webch 39 biology workbook answers prentice hall 3 3 chapter 39 flashcards quizletvocabulary words from the ap edition of campbell biology chapter 39 learn with flashcards games and more for free ap biology chapter 39 flashcards

prentice hall biology workbook answer key chapter39 - Sep 22 2022

web prentice hall biology workbook answer key chapter39 1 prentice hall biology workbook answer key chapter39 prentice hall biology workbook answer prentice hall biology glossary prentice hall biology chapter 5 flashcards quizlet biology textbooks homework help and answers slader textbook answers gradesaver

textbook answers gradesaver - Jul 01 2023

web textbook answers accounting tools for business decision making 5th edition kimmel paul d weygandt jerry j kieso donald e publisher wiley isbn 978 1 11812 816 9 algebra 1 hall prentice publisher prentice hall isbn 978 0 13350 040 0 algebra 1 common core 15th edition charles randall i publisher prentice hall isbn 978 0

biology houston independent school district - Oct 24 2022

web guided reading and study workbook builds a record of students work to use as a study aid for quizzes and tests biology prentice hall all in one study guide upper saddle river new jersey boston massachusetts isbn 0 13 115522 9 39 chapter 4 ecosystems and communities

ch 1 prentice hall biology chapter 1 the science of biology - Mar 17 2022

web prentice hall biology chapter 39 endocrine and reproductive systems prentice hall biology chapter 40 the immune system and disease explore our library of over 88 000 lessons search

prentice hall biology workbook answer key 39 copy - Dec 26 2022

web easy to understand sections with real life examples lexile level 870 reading level 3 4 interest level 6 12 the little brown workbook answer key apr 24 2023 concrete principles jan 21 2023 provides answers to all workbook questions spin 3 workbook answer key may 21 2020

prentice hall biology free download borrow and streaming - Mar 29 2023

web contributor internet archive language english 7 volumes 28 30 cm grades 10 12 includes index v 1 student text v 2 teacher s ed v 3 teaching resources v 4 chapter tests v 5 computer test bank v 6

prentice hall biology workbook answers ch 39 pdf download - Feb 13 2022

web prentice hall biology workbook answers ch 39 pdf pages 3 7 prentice hall biology workbook answers ch 39 pdf upload caliva x robertson 3 7 downloaded from signups myamcat com on october 2 2023 by caliva x robertson paul flowers 2019 02 14 chemistry 2e is designed to meet the scope and sequence requirements of the two

prentice hall biology taks practice book answer key open - Feb 25 2023

web mar 16 2011 prentice hall biology taks practice book answer key by pearson 2002 prentice hall edition paperback in english

prentice hall biology workbook answers section 39 full pdf - May 31 2023

web prentice hall biology workbook answers section 39 prentice hall biology answers to practice tests answer prentice hall biology chapter 18 questions flashcards and biology workbook answers prentice hall 8 3 workbook biology answers dnb com biology workbook a answers prentice hall biology houston independent school

prentice hall biology book answers youtube - Aug 22 2022

web biologyanswer blogspot com biologyanswers tk

prentice hall biology workbook answers pdf pdffiller - Jul 21 2022

web get the free prentice hall biology workbook answers pdf form description of prentice hall biology workbook answers pdf download file pdf file name prentice hall biology worksheets answer key pdf chm rtf doc editable prentice hall biology worksheets answer key download prentice hall biology

prentice hall biology workbook answers pdf pdffiller - Apr 29 2023

web prentice hall biology workbook is a workbook designed to help students in their studies of biology it includes practice questions quizzes and activities that are designed to help students strengthen their understanding of key concepts in biology