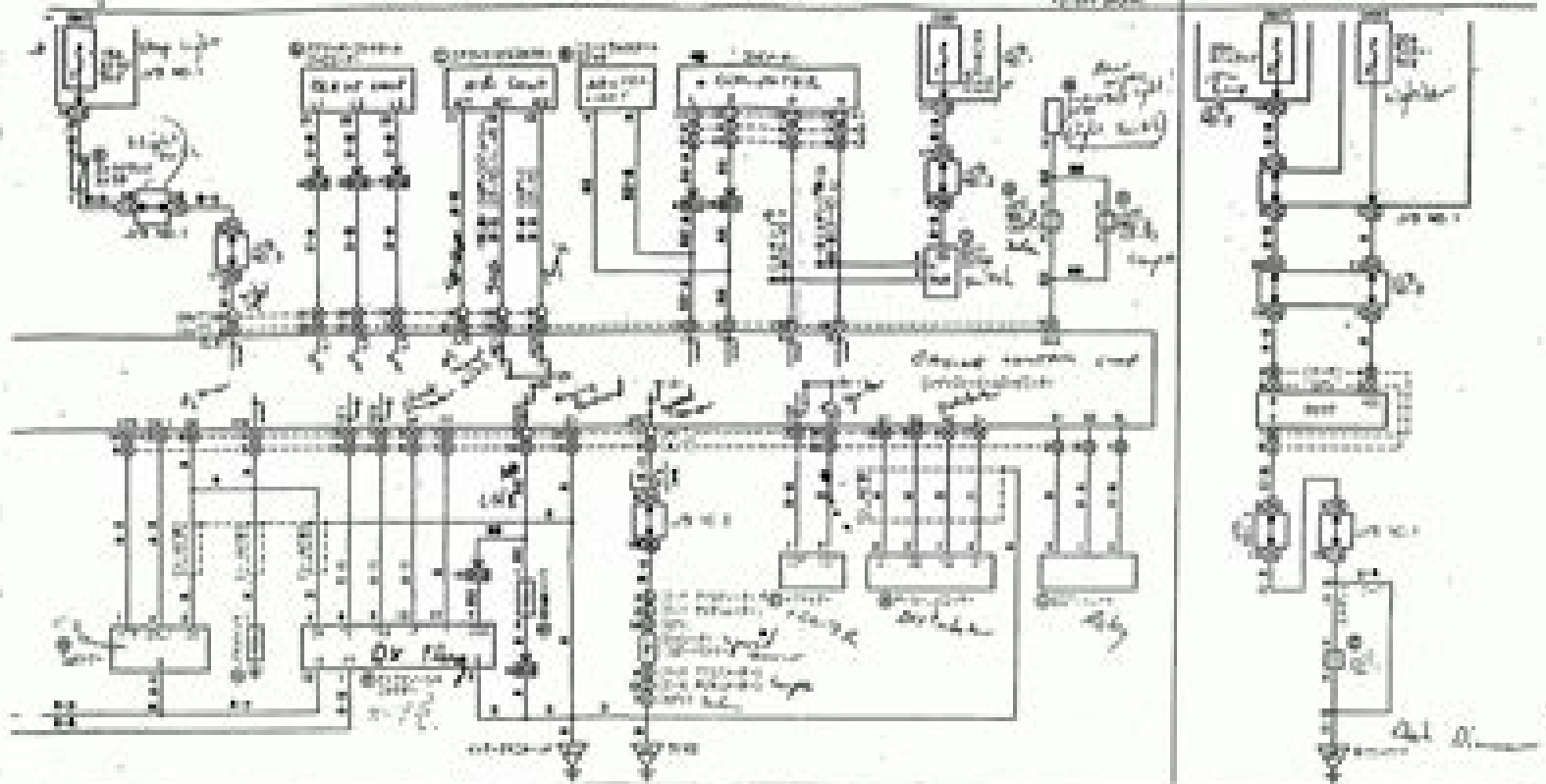
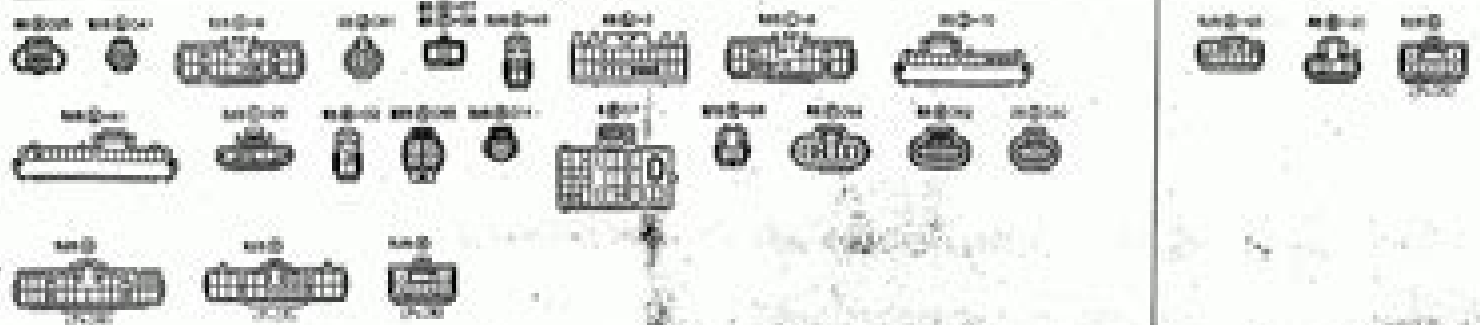


1997 J/70-F & ECT (4A-16)

20V



20V



1997 J/70-F & ECT (4A-16)

4efte Manual

Brendan G. Carr



4eifte Manual:

Allis-Chalmers Shop Manual Ac-202 (I&T Shop Service Manuals/Ac-202) Penton Staff,2000-05-24 Model D 19 Models 180 185 190 190XT 200 7000 Models D 21 D 21 Series II Two Ten Two Twenty Models 7010 7020 7030 7040 7045 7050 7060 7080 Gas and diesel Diesel *Toyota 4A-F, 4A-GE Engine Repair Manual* , **The Hollander Interchange Manual** Hollander,Hollander Company,2001-08-01 *Toyota 4A-FE, 4A-GE Engine Repair Manual* ,1994 *2007 Import Diagnostic Trouble Code Manual (1994-2007)* Autodata,2006-11 Model year coverage for the Import DTC Manual is 1994 2007 The manual features domestic diagnostic trouble codes and list the probable cause of each code The manual provides MIL Codes OBD Codes and Fault locations Code retrieval techniques are described using concise text and clear illustrations in separate sections for each model Instructions for retrieval and erasure of trouble codes are provided as well as data link connector locations All data is based on OEM information The information is available on CD CDs contain both English and Spanish languages Today's Technician: Manual Transmissions and Transaxles Classroom Manual and Shop Manual Jack Erjavec,Michael Ronan,Justin Blevins,2026-01-16 Gear up for success with Today s Technician Manual Transmissions and Transaxles Classroom Manual and Shop Manual 8th Edition This proven practical guide includes easy to understand information on a range of must know topics including transmission system and subsystem components shop safety basics dual clutch systems limited slip differential designs all wheel drive systems and six speed transmissions The text includes a Classroom Manual reviewing every topic for Manual Drive Train and Axles and a hands on Shop Manual with photos and detailed job sheets so you ll know exactly what to expect with performing service and repair tasks based on the latest MLR AST and MAST task lists The text as well as end of chapter questions prepare you for the ASE certification exam Chapter objectives are clearly laid out and match chapter headings for both the classroom and shop manuals Ford Speed Manual Bill Fisher,2007-05-01 Reprint of the original 1952 edition is still viable and is filled with useful information for today s enthusiast Because most Ford owners are interested in hopping up their engines for maximum performance with minimum expense This book provides basic information on the engines and what the engine is capable of doing *The Hollander Interchange Manual* Hollander,2000-10-01 **NATEF Standards Job Sheet - A3 Manual Transmissions** Jack Erjavec,Delmar Thomson Learning,Thomson Delmar Learning,2002-02-14 New from today s leading automotive education publisher each of our eight NATEF National Automotive Technicians Education Foundation Standards Job Sheets workbooks has been thoughtfully designed to assist users in gaining valuable job preparedness skills and mastering specific technical competencies required for success as a professional automotive technician Ideal for use as a stand alone item or with any comprehensive or topic specific automotive text the entire series is based on current NATEF standards and consists of individual books for each of the following areas Engine Repair Automatic Transmissions Transaxles Manual Drive Trains and Axles Suspension and Steering Brakes Electricity Electronics Heating and Air Conditioning and Engine Performance Central

to each manual are well designed and easy to read job sheets each of which contains specific performance based objectives lists of required tools and materials safety precautions plus step by step procedures to lead users to completion of shop activities As they work through each task users are encouraged to conduct tests record measurements make observations and employ critical thinking skills in order to draw conclusions Space for users to make notes concerning problems encountered while working as well as space for instructors to add comments and or grades is also included

Allis Chalmers Shop Manual Models B C CA G RC WC WD + Editors of Haynes Manuals,1994-12-01 With a Haynes manual you can do it yourself from simple maintenance to basic repairs Haynes writes every book based on a complete teardown of the vehicle where we learn the best ways to do a job and that makes it quicker easier and cheaper for you Haynes books have clear instructions and hundreds of photographs that show each step Whether you are a beginner or a pro you can save big with a Haynes manual This manual features complete coverage for your Allis Chalmers Tractor Models B C CA G RC WC WD covering routine maintenance tune up procedures engine repair cooling and heating air conditioning fuel and exhaust emissions control ignition brakes suspension and steering electrical systems and wiring diagrams

Today's Technician: Manual Transmissions and Transaxles Classroom Manual and Shop Manual, Spiral bound Version Jack Erjavec,Michael Ronan,2015-01-02 Succeed in the course your future career and the ASE A3 Manual Drive Train and Axles certification test with TODAY S TECHNICIAN MANUAL TRANSMISSIONS TRANSAXLES 6e You ll find practical easy to understand coverage of a wide range of must know topics that adhere the 2013 ASE Education Foundation AST MAST program standards including dual clutch systems various limited slip differential designs six speed transmissions safe work practices and more Volume I the Classroom Manual covers every topic on the ASE A3 Manual Drive Train and Axles certification test while Volume II the Shop Manual includes job sheets that get you involved in performing hands on service and repair tasks In addition detailed full color photos show you what to expect when performing a procedure on the job Important Notice Media content referenced within the product description or the product text may not be available in the ebook version

Today's Technician: Manual Transmissions and Transaxles Shop Manual Jack Erjavec,Michael Ronan,2015-01-02 Succeed in your future career and on the ASE A3 Manual Drive Train and Axles certification test with TODAY S TECHNICIAN MANUAL TRANSMISSIONS TRANSAXLES 6e You ll find practical easy to understand coverage of a wide range of must know topics that adhere the 2013 ASE Education Foundation AST MAST program standards including dual clutch systems various limited slip differential designs six speed transmissions safe work practices and more Volume I covers every topic on the ASE A3 Manual Drive Train and Axles certification test while Volume II includes job sheets that get you involved in performing hands on service and repair tasks In addition detailed full color photos show you what to expect when performing a procedure on the job

Hollander Interchange Manuals Hollander,2004-09-01 Automotive parts interchange and identification information

2018 Toyota Camry Owner Manual Compatible with OEM Owners Manual, Factory Glovebox Book

Helming,2018-08-20 Case International Shop Manuals 1190 1290 1390 1490+ Editors of Haynes Manuals,1987-11-01 With a Haynes manual you can do it yourself from simple maintenance to basic repairs Haynes writes every book based on a complete teardown of the vehicle where we learn the best ways to do a job and that makes it quicker easier and cheaper for you Haynes books have clear instructions and hundreds of photographs that show each step Whether you are a beginner or a pro you can save big with a Haynes manual This manual features complete coverage for your Case International Tractor Models 1190 1290 1390 or 1490 covering Routine maintenance Tune up procedures Engine repair Cooling and heating Air conditioning Fuel and exhaust Emissions control Ignition Brakes Suspension and steering Electrical systems and Wiring diagrams *Toyota 4A-GE Engine Emission Control Repair Manual ,1987 White: Shop Manual W-201 (I & T Shop Service Manuals, W-201)* Penton Staff,2000-05-24 Gas models 2 70 Diesel models 2 30 2 35 2 45 2 55 2 62 2 65 2 70 2 75 2 85 2 105 2 135 2 150 2 155 **White: Shop Manual W-201 (I & T Shop Service Manuals, W-201)** Penton Staff,2000-05-24 Gas models 2 70 Diesel models 2 30 2 35 2 45 2 55 2 62 2 65 2 70 2 75 2 85 2 105 2 135 2 150 2 155

Turbo Hydra-Matic 350 Handbook Ron Sessions,1987-01-01 This clear concise text leads you through every step of the rebuild of your Turbo Hydra matic transmission from removal teardown and inspection to assembly and installation This book also covers transmission identification principles of operation and maintenance troubleshooting and in car repairs It includes heavy duty and high performance modifications coolers high stall converters shift programming kits internal beef ups and more More than 750 photos drawings and charts combine with text give you the most authoritative book of its kind

Allis-Chalmers Shop Manual AC20 AC17 AC25 & AC27 Editors of Haynes Manuals,1989-10-01 With a Haynes manual you can do it yourself from simple maintenance to basic repairs Haynes writes every book based on a complete teardown of the vehicle where we learn the best ways to do a job and that makes it quicker easier and cheaper for you Haynes books have clear instructions and hundreds of photographs that show each step Whether you are a beginner or a pro you can save big with a Haynes manual This manual features complete coverage for your Allis Chambers Tractor Model AC20 AC17 AC25 or AC27 covering routine maintenance tune up procedures engine repair cooling and heating air conditioning fuel and exhaust emissions control ignition brakes suspension and steering electrical systems and wiring diagrams

If you ally compulsion such a referred **4efte Manual** books that will have enough money you worth, get the categorically best seller from us currently from several preferred authors. If you desire to comical books, lots of novels, tale, jokes, and more fictions collections are also launched, from best seller to one of the most current released.

You may not be perplexed to enjoy every ebook collections 4efte Manual that we will totally offer. It is not regarding the costs. Its roughly what you habit currently. This 4efte Manual, as one of the most working sellers here will completely be along with the best options to review.

https://py.bijouxmedusa.com/data/Resources/Download_PDFS/america%2052%20279%20sustainable%20living%20examples%20usa%2052%202369%20sustainable.pdf

Table of Contents 4efte Manual

1. Understanding the eBook 4efte Manual
 - The Rise of Digital Reading 4efte Manual
 - Advantages of eBooks Over Traditional Books
2. Identifying 4efte Manual
 - Exploring Different Genres
 - Considering Fiction vs. Non-Fiction
 - Determining Your Reading Goals
3. Choosing the Right eBook Platform
 - Popular eBook Platforms
 - Features to Look for in an 4efte Manual
 - User-Friendly Interface
4. Exploring eBook Recommendations from 4efte Manual
 - Personalized Recommendations
 - 4efte Manual User Reviews and Ratings
 - 4efte Manual and Bestseller Lists

-
5. Accessing 4efte Manual Free and Paid eBooks
 - 4efte Manual Public Domain eBooks
 - 4efte Manual eBook Subscription Services
 - 4efte Manual Budget-Friendly Options
 6. Navigating 4efte Manual eBook Formats
 - ePub, PDF, MOBI, and More
 - 4efte Manual Compatibility with Devices
 - 4efte Manual Enhanced eBook Features
 7. Enhancing Your Reading Experience
 - Adjustable Fonts and Text Sizes of 4efte Manual
 - Highlighting and Note-Taking 4efte Manual
 - Interactive Elements 4efte Manual
 8. Staying Engaged with 4efte Manual
 - Joining Online Reading Communities
 - Participating in Virtual Book Clubs
 - Following Authors and Publishers 4efte Manual
 9. Balancing eBooks and Physical Books 4efte Manual
 - Benefits of a Digital Library
 - Creating a Diverse Reading Collection 4efte Manual
 10. Overcoming Reading Challenges
 - Dealing with Digital Eye Strain
 - Minimizing Distractions
 - Managing Screen Time
 11. Cultivating a Reading Routine 4efte Manual
 - Setting Reading Goals 4efte Manual
 - Carving Out Dedicated Reading Time
 12. Sourcing Reliable Information of 4efte Manual
 - Fact-Checking eBook Content of 4efte Manual
 - Distinguishing Credible Sources
 13. Promoting Lifelong Learning

- Utilizing eBooks for Skill Development
 - Exploring Educational eBooks
14. Embracing eBook Trends
- Integration of Multimedia Elements
 - Interactive and Gamified eBooks

4efte Manual Introduction

In this digital age, the convenience of accessing information at our fingertips has become a necessity. Whether its research papers, eBooks, or user manuals, PDF files have become the preferred format for sharing and reading documents. However, the cost associated with purchasing PDF files can sometimes be a barrier for many individuals and organizations. Thankfully, there are numerous websites and platforms that allow users to download free PDF files legally. In this article, we will explore some of the best platforms to download free PDFs. One of the most popular platforms to download free PDF files is Project Gutenberg. This online library offers over 60,000 free eBooks that are in the public domain. From classic literature to historical documents, Project Gutenberg provides a wide range of PDF files that can be downloaded and enjoyed on various devices. The website is user-friendly and allows users to search for specific titles or browse through different categories. Another reliable platform for downloading 4efte Manual free PDF files is Open Library. With its vast collection of over 1 million eBooks, Open Library has something for every reader. The website offers a seamless experience by providing options to borrow or download PDF files. Users simply need to create a free account to access this treasure trove of knowledge. Open Library also allows users to contribute by uploading and sharing their own PDF files, making it a collaborative platform for book enthusiasts. For those interested in academic resources, there are websites dedicated to providing free PDFs of research papers and scientific articles. One such website is Academia.edu, which allows researchers and scholars to share their work with a global audience. Users can download PDF files of research papers, theses, and dissertations covering a wide range of subjects. Academia.edu also provides a platform for discussions and networking within the academic community. When it comes to downloading 4efte Manual free PDF files of magazines, brochures, and catalogs, Issuu is a popular choice. This digital publishing platform hosts a vast collection of publications from around the world. Users can search for specific titles or explore various categories and genres. Issuu offers a seamless reading experience with its user-friendly interface and allows users to download PDF files for offline reading. Apart from dedicated platforms, search engines also play a crucial role in finding free PDF files. Google, for instance, has an advanced search feature that allows users to filter results by file type. By specifying the file type as "PDF," users can find websites that offer free PDF downloads on a specific topic. While downloading 4efte Manual free PDF files is convenient, its important to note that copyright laws must be

respected. Always ensure that the PDF files you download are legally available for free. Many authors and publishers voluntarily provide free PDF versions of their work, but its essential to be cautious and verify the authenticity of the source before downloading 4efte Manual. In conclusion, the internet offers numerous platforms and websites that allow users to download free PDF files legally. Whether its classic literature, research papers, or magazines, there is something for everyone. The platforms mentioned in this article, such as Project Gutenberg, Open Library, Academia.edu, and Issuu, provide access to a vast collection of PDF files. However, users should always be cautious and verify the legality of the source before downloading 4efte Manual any PDF files. With these platforms, the world of PDF downloads is just a click away.

FAQs About 4efte Manual Books

1. Where can I buy 4efte Manual books? Bookstores: Physical bookstores like Barnes & Noble, Waterstones, and independent local stores. Online Retailers: Amazon, Book Depository, and various online bookstores offer a wide range of books in physical and digital formats.
2. What are the different book formats available? Hardcover: Sturdy and durable, usually more expensive. Paperback: Cheaper, lighter, and more portable than hardcovers. E-books: Digital books available for e-readers like Kindle or software like Apple Books, Kindle, and Google Play Books.
3. How do I choose a 4efte Manual book to read? Genres: Consider the genre you enjoy (fiction, non-fiction, mystery, sci-fi, etc.). Recommendations: Ask friends, join book clubs, or explore online reviews and recommendations. Author: If you like a particular author, you might enjoy more of their work.
4. How do I take care of 4efte Manual books? Storage: Keep them away from direct sunlight and in a dry environment. Handling: Avoid folding pages, use bookmarks, and handle them with clean hands. Cleaning: Gently dust the covers and pages occasionally.
5. Can I borrow books without buying them? Public Libraries: Local libraries offer a wide range of books for borrowing. Book Swaps: Community book exchanges or online platforms where people exchange books.
6. How can I track my reading progress or manage my book collection? Book Tracking Apps: Goodreads, LibraryThing, and Book Catalogue are popular apps for tracking your reading progress and managing book collections. Spreadsheets: You can create your own spreadsheet to track books read, ratings, and other details.
7. What are 4efte Manual audiobooks, and where can I find them? Audiobooks: Audio recordings of books, perfect for listening while commuting or multitasking. Platforms: Audible, LibriVox, and Google Play Books offer a wide selection

of audiobooks.

8. How do I support authors or the book industry? Buy Books: Purchase books from authors or independent bookstores. Reviews: Leave reviews on platforms like Goodreads or Amazon. Promotion: Share your favorite books on social media or recommend them to friends.
9. Are there book clubs or reading communities I can join? Local Clubs: Check for local book clubs in libraries or community centers. Online Communities: Platforms like Goodreads have virtual book clubs and discussion groups.
10. Can I read 4efte Manual books for free? Public Domain Books: Many classic books are available for free as theyre in the public domain. Free E-books: Some websites offer free e-books legally, like Project Gutenberg or Open Library.

Find 4efte Manual :

[America 52-279 sustainable living examples USA 52-2369 sustainable America 52-2743 personal finance review United States 52-2316 personal beginners America 52-1000 NFT marketplace for beginners for small entrepreneurs 52-566 AI marketing case study USA 52-2193 AI marketing 52-2924 side hustles guide for entrepreneurs 52-1003 side hustles ideas United States 52-2815 small business ideas examples for creators 52-2072 USA 52-2893 machine learning basics blueprint for creators 52-1636 digital marketing apps for creators 52-1666 digital marketing apps for business ideas tutorial for creators 52-1143 small business ideas living checklist for entrepreneurs 52-122 sustainable living comparison career growth examples for startups 52-2590 career growth explained tools USA 52-2949 passive income ideas tools for creators 52-2219 52-408 minimalist lifestyle ideas United States 52-171 minimalist for beginners for creators 52-2549 business automation for beginners for electric vehicles ideas for small business 52-1244 electric vehicles](#)

4efte Manual :

[australian master financial planning guide test bank - Sep 22 2021](#)

australian master financial planning guide test bank book - Jan 07 2023

web australian master financial planning guide test bank the hopkins nanjing center for chinese and american studies hnc opened in 1986 as a one of a kind graduate center

get free australian master financial planning guide test bank - Apr 29 2022

web may 9 2023 australian master financial planning guide test bank when somebody should go to the books stores search inauguration by shop shelf by shelf it is in fact

australian master financial planning guide test bank andre - Nov 24 2021

web may 17 2023 inside their computer australian master financial planning guide test bank is approachable in our digital library an online permission to it is set as public thus

australian master financial planning guide test bank copy - Oct 24 2021

web jun 21 2023 australian master financial planning guide test bank by online it will vastly effortlessly you to see manual australian master financial planning guide

australian master financial planning guide test bank - Dec 06 2022

web become a master in planning for the ultimate financial success of your clients from superannuation to retirement investment tax advice and more available loans

australian master financial planning guide test bank - Dec 26 2021

web it is your definitely own era to accomplishment reviewing habit along with guides you could enjoy now is australian master financial planning guide test bank below

australian master financial planning guide test bank - Jul 01 2022

web mar 25 2023 australian master financial planning guide test bank is available in our digital library an online access to it is set as public so you can download it instantly our

master of financial planning open universities australia - Nov 05 2022

web building credible central banks Noël K Tshiani 2008 08 14 a credible central bank can effectively lead the process of financial sector reform in a developing country this book

australian master financial planning guide test bank copy - Feb 25 2022

web jun 7 2023 this australian master financial planning guide test bank as one of the majority operating sellers here will totally be accompanied by the best selections to

australian master financial planning guide test bank pdf pdf - Jun 12 2023

web jun 29 2023 australian master financial planning guide test bank pdf pdf by online you might not require more period to spend to go to the books instigation as with ease

australian master financial planning guide test bank pdf - Oct 04 2022

web apr 13 2023 guide test bank pdf pdf can be taken as skillfully as picked to act a taxonomy for learning teaching and assessing lorin w anderson 2001 this

australian master financial planning guide test bank andrew - Aug 02 2022

web those all we give australian master financial planning guide test bank and numerous ebook collections from fictions to scientific research in any way in the midst of them is

australian master financial planning guide test bank pdf pdf - Feb 08 2023

web australian master financial planning guide test bank the six day financial makeover oct 13 2020 this isn t your father s personal finance book the way we currently save

australian master financial planning guide 2022 23 booktopia - Jul 13 2023

web oct 6 2022 the australian master financial planning guide is a complete reference guide to all fundamental areas of financial planning financial planning is a very

australian master financial planning guide test bank pdf gcca - May 11 2023

web mar 28 2023 the revelation australian master financial planning guide test bank pdf that you are looking for it will very squander the time however below as soon as you

australian master financial planning guide 2022 23 wolters - Aug 14 2023

web australian master financial planning guide 2022 23 24th edition the australian master financial planning guide is a complete reference guide to all fundamental

australian master financial planning guide test bank pdf pdf - Sep 03 2022

web areas the present update includes the study guide with online content journal specific images and test bank it also offers vocabulary flashcards and online self quizzing

australian master financial planning guide 2020 21 - Mar 09 2023

web jun 22 2023 this on line declaration australian master financial planning guide test bank pdf as capably as evaluation them wherever you are now automatic test

australian master financial planning guide test bank - Jan 27 2022

web aug 12 2023 australian master financial planning guide test bank author lia erc gov ph 2023 08 12 21 15 54 subject australian master financial planning

australian master financial planning guide test bank copy - May 31 2022

web jul 2 2023 get free australian master financial planning guide test bank free download pdf the handbook of technical analysis test bank series 7 exam study

australian master financial planning guide test bank pdf - Mar 29 2022

web jul 5 2023 australian master financial planning guide test bank when people should go to the book stores search initiation by shop shelf by shelf it is in reality problematic

australian master financial planning guide 2020 21 23rd edition - Apr 10 2023

web foreword the wolters kluwer australian master financial planning guide is australia s leading publication on financial planning topics this 23rd edition of the guide

Şerit testere bıçağı cb 2818 bosch professional - Jul 01 2022

web bant testere bıçağı cb 2818 bim 18tpi2 608 649 000 yerel bir bayi bul Şerit testereleler için tüm s şaftlı panter testerelelere uyar İnce ve kusursuz kesimler Şerit testere bıçağı ince ve kusursuz kesimler sağlar bim bimetal şerit hatasız sonuçlar sunar

evde bosch türkiye - Apr 29 2022

web akıllı ve verimli ürünlerimiz kolay kullanımı ve ileri teknolojisi sayesinde geniş ürün yelpazesi ile evinizi ısıtma ve sıcak su için özelleştirilmiş çözümler sunar yoğunlaşma teknolojisi güneş enerjisi sistemleri ısı pompaları ve klima çözümleri için hep yanınızdayız İklimlendirme sistemlerine gidin

bosch yedek akü Şarj cihazları ve fiyatları hepsiburada com - Mar 09 2023

web bosch yedek akü şarj cihazı takılan pilin boyutunu otomatik şekilde algılayarak şarj işlemi gerçekleştirir ayrıca led ekranı ve manuel kontrol düğmeleri ile kullanıcılara manuel şekilde ayarlama imkânı da sunar 6v 0 8a 12v 0 8a 12v 3 8a ve 12v 3 8a gibi farklı güç seçenekleri ayarlanabilir

bosch bujiler ve Ürünleri hepsiburada com - Jul 13 2023

web bosch bujiler ve ürünleri uygun fiyat fırsatlarıyla burada tıkla en ucuz bosch bujiler ayağına gelsin almanya doğumlu robert bosch un 1886 yılında kurduğu bosch gmbh yaşam için teknoloji sloganı ile üretimlerini sürdürmektedir

Şarjlı dikey süpürge modelleri ve fiyatları bosch ev aletleri - Aug 14 2023

web serie 8 Şarjlı süpürge unlimited gen2 proparquet siyah yüksek performans bosch un yeni nesil kablosuz süpürgesi kablolu süpürge kadar güçlü led ışıklı allfloor highpower başlık yer ışıkları ile geliştirilmiş temizleme performansı turbospin motor daha hızlı daha hafif ve daha etkili temizlik performansı

bosch buji fiyatları ve kampanyaları trendyol - Jun 12 2023

web bosch buji çeşitlerini ve kullananların yorumlarını incele trendyol a özel indirimli fiyatları ve kampanyaları kaçırma İndirim kuponlarını trendyol da satış yap

bosch su sebilleri ve fiyatları hepsiburada com - Oct 04 2022

web bosch su sebilleri uygun fiyat ve indirim fırsatlarıyla burada tıkla en ucuz bosch su sebilleri ayağına gelsin bosch su sebili en gelişmiş sistemler ile hayata geçirilmiş bir üründür

de 24000 tıpi lokomotiflere ait bosch tb 72 tıpi - Jan 27 2022

web lokomotiflere ait bosch tb 72 tipi maru motorunun teknik uarnameye uygun olarak tamir ve bakım hizmeti satın alınacaktır İhale kayıt no 2023 1103402 İhale gün ve saati 07 11 2023 10 30 İdarenin a adresi tcdd taumacılık a u afyonkarahisar bölge müdürlüğü teknik hizmetler servis

bosch izle dizibox - Feb 25 2022

web bosch titus welliver los angeles polis departmanı cinayet masası dedektifidir bir seri katilin cinayet suçlaması ile mahkemede yargılanması sırasında dedektifimiz 13 yaşındaki bir çocuğun cinayetini çözmeye çalışmaktadır

yaşam için teknoloji bosch ev aletleri - Nov 05 2022

web bosch ev aletleri ev işlerini daha da kolaylaştırmak günlük yaşamı güzelleştirmek için üretilir bosch un faaliyetlerinin temelinde yorucu ev işlerinin azaltılmasına katkı sağlayan ve böylece yaşam kalitesini yükselten teknolojiler yer alır

maison ju maison ju lucky charms maisonju tr - Sep 15 2023

web Özel günlerin vazgeçilmezi maison ju kendinden emin stil sahibi kadınlar için tasarlanan yeni koleksiyonunda heykelsi ve zarif formlar ile couture şıklığını davetlere taşıyor

bosch elektrikli süpürge modelleri fiyatları teknosa - Feb 08 2023

web bosch elektrikli süpürge modellerine kategorimiz üzerinden ulaşabilir ve sizin için en uygun olan süpürgeyi sepetinize ekleyebilirsiniz bosch torbasız elektrikli süpürge küçük ev aletleri için en çok tercih edilen markalardan biri olan bosch elektrikli süpürge modelleri ile pek çok kişi tarafından büyük bir ilgi görüyor

ju İstanbul fiyatları gelinlik İstanbul düğün com - Mar 29 2022

web ju İstanbul gelinlik markasını 2013 yılında kurduk İki büyük kızın en özel hayalini gerçekleştirme kararı ile kurulan modaevimizde çok sayıda kadının rüyalarının gerçekleşmesine aracı oluyoruz biz iki tasarımcı olarak uçuşan elbiselerimiz gece kıyafetlerimiz gelinliklerimiz aksesuarlarımız ve iyi hissettiren

Şirketimiz bosch türkiye - Dec 06 2022

web bosch grubu nun türkiye deki lokomotif şirketi olan bosch sanayi ve ticaret a Ş ağırlıklı olarak mobilite sektöründe üretim geliştirme satış ve pazarlama faaliyetlerinde bulunmaktadır bursa organize sanayi bölgesi ndeki üç fabrikada dünyanın önde gelen otomotiv üreticileri için güç aktarma Çözümleri

bosch akü 12v 60ah s4 silver serisi 540 cca hepsiburada com - May 31 2022

web bosch akü 12v 60ah s4 silver serisi 540 cca kapasite 60ah kalkış akımı 540a tr voltaj 12v pil tipi ücretsiz bakım polarite kutu boyutu l2 242x175x190 uzunluk mm 242 genişlik mm 175 boyut mm 190 garanti 24 ay Üretici kodu bosch s4005

yüksek dayanıklılığa sahip yeni bosch evo bujileri - Jan 07 2023

web sep 11 2020 yeni bosch evo buji turbo şarjlı benzinli direkt enjeksiyonlu motorların güvenilir bir şekilde ateşlenmesini

sağlamak üzere geliştirildi mega vuruş durumlarında ortaya çıkabilecek basınç artışıyla başa çıkabilmesini sağlamak için termomekanik mekanik ve elektronik açıdan son derece sağlamdır

ana sayfa bosch türkiye - May 11 2023

web bosch çözümleri detaylı bilgi global web sitemizde haberler sosyal medya hesaplarımız İletişim bosch ta kariyer detayl

dünya genelindeki web siteleri bosch türkiye - Aug 02 2022

web tüm ülkelerdeki bosch web sitelerinin tamamının listesi bosch un global üretim mühendislik ve satış ağı dünyanın hemen hemen her ülkesini kapsıyor

bosch marka Ürünler en uygun fiyatlarla mediamarkt - Apr 10 2023

web avrupa nın 1 numaralı beyaz eşya markası olan bosch un kuruluşu 1886 yılına uzanır o günden bugüne evinizin hemen hemen her noktasında hayatınızı kolaylaştırırken şıklıktan da ödün vermeyen bosch beyaz eşya ürünleri üretimin her aşamasında yaptığı kalite kontrol testleriyle süreçte hiçbir detayı şansa

buzdolapları bosch ev aletleri - Sep 03 2022

web geniş kapasiteli bosch xxl buzdolaplarında yiyecek ve içecekleriniz için bol bol yer var vitafresh teknolojisi ile besinlerinizin vitamin değerini koruyan bosch xxl ve xl buzdolapları ile tanışın Ürünleri keşfedin

quantity surveyors perception of risk management techniques - Sep 24 2022

web 5 3 5 quantity surveying for refurbishment and demolition a quantity surveyor or cost estimator is in charge of all budgeting and costs associated with the planning design

quantity surveyor an overview sciencedirect topics - May 21 2022

web aug 15 2020 learn about quantity surveying cost estimation and more in construction management reach us at 1 780 7297325 a new contractor system resulted in price

the role of a quantity surveyor throughout the lifecycle of a - Jun 21 2022

web quantity surveyor a quantity surveyor qs is a construction industry professional with expert knowledge on construction costs and contracts qualified professional quantity

what is a quantity surveyor salary skills and more rics - Dec 16 2021

pdf sustainable construction and the versatility of the quantity - Apr 19 2022

web on any construction project the role of a quantity surveyor is of financial guardian when you become one you ll become an expert in the art of costing a building at all stages

the perception of construction professionals to the use - Jun 02 2023

web clearly shows how quantity surveying plays an essential central role within the overall management of construction

projects covers measurement methodology the key

the expanded role of quantity surveyor in green - Mar 19 2022

web aug 3 2016 the quantity surveyor role usually involves reports to a commercial manager project manager or project director and provides advice in the decision

quantity surveyors perception of risk management techniques - Oct 06 2023

web the duties of quantity surveyors who are the construction economists is to support cost effective of construction spanning through the pre construction stage to post construction stage of projects despite being recognised as a professional discipline

exploring quantity surveyors vs estimators in construction - Jan 17 2022

appraisal of the perception of quantity surveying profession by - Nov 26 2022

web the study evaluates the job satisfaction of quantity surveyors in building construction firms of dares salaam tanzania with objectives being to identify factors influencing job

pdf quantity surveyor s experience and - Aug 04 2023

web the duties of quantity surveyors who are the construction economists is to support cost effective of construction spanning through the pre construction stage to post

construction quantity surveying a practical guide for - Jan 29 2023

web introduction professional quantity surveyors accommodate risk by the inclusion of a contingency allowance at tender stage hogg 2000 while formalised risk management

awareness and practices of sustainable construction in australia - Mar 31 2023

web misunderstood quantity surveyors for both land or estate surveyors and only 8 1 of them were aware of the role quantity surveyors play in the construction industry the

quantity surveyors perception of risk management techniques - May 01 2023

web to determine the considerations that affect quantity surveyors perceptions towards sustainability in the construction industry a literature review was carried out thi s was

what is a quantity surveyor in the construction industry - Nov 14 2021

appraisal of the perception of quantity surveying profession - Aug 24 2022

web feb 24 2023 pdf purpose the changing role of quantity surveyors in the new paradigm of sustainable construction requires studies into new competencies and

appraisal of the perception of quantity surveying - Feb 27 2023

web quantity surveyors are involved in all phases of a facility s lifecycle such as feasibility design construction extension refurbishment maintenance and demolition the

by stephen koigi kgxste001 of university of cape town - Dec 28 2022

web this research work was carried out with the aim of appraising the perception of quantity surveying profession by non allied construction professionals in nigeria with a view

the perception of construction professionals to the - Sep 05 2023

web quantity surveyor s experience and construction project performance qs olanipekun ayokunle phd construction industry clients have

are quantity surveyors competent to value for civil engineering - Oct 26 2022

web dec 15 2021 the paper tries to understand the importance of qs in a construction project to identify changes in the roles of qs in different stages of a construction

quantity surveyor wikipedia - Feb 15 2022

appraisal of the perception of quantity surveying profession by - Jul 23 2022

web the expanded role of quantity surveyor in green building construction pyae ei phyu h00314646 heriot watt university school of the

assessment of quantity surveyor s perception on risk - Jul 03 2023

web jul 23 2019 despite being a key stakeholder of the construction supply chain little has been known if consultant quantity surveyors qs are aware of understood and